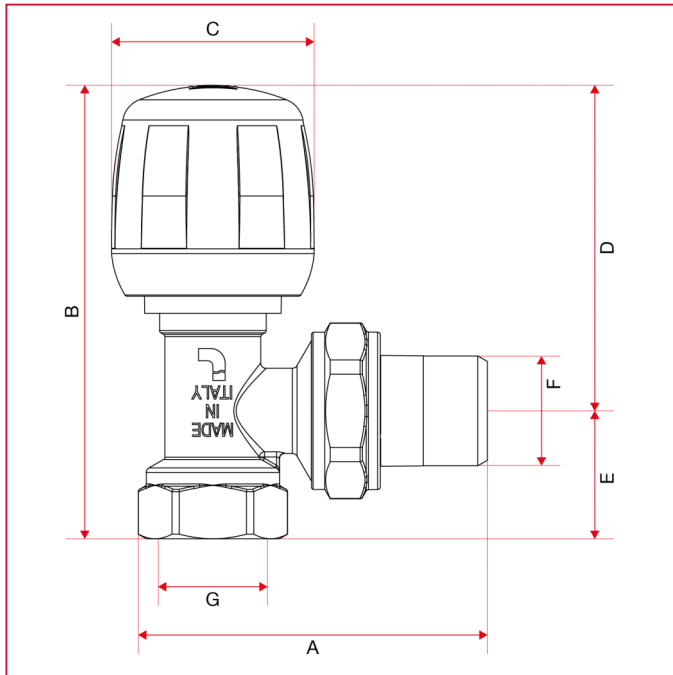




MANUAL VALVES AND LOCKSHIELDS

394 Angle manual valve

OVERALL DIMENSIONS



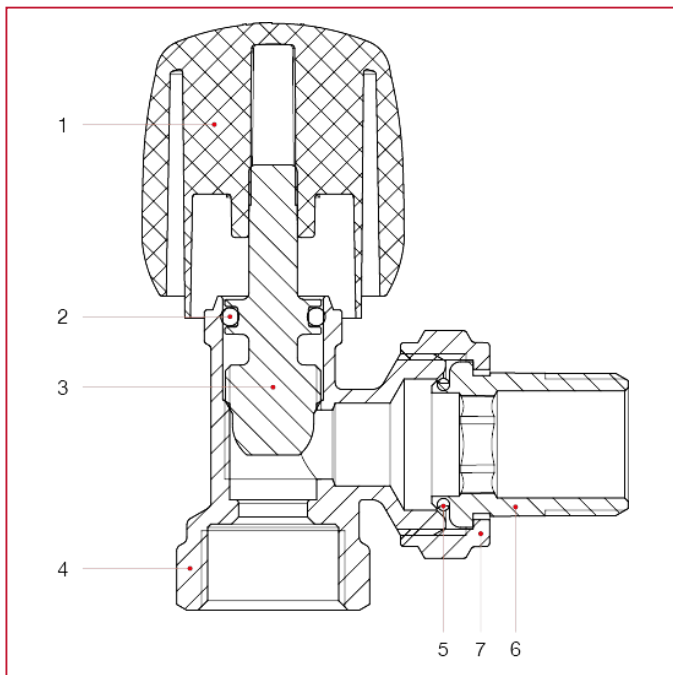
	3/8"	1/2"	3/4"
DN	10	15	20
A	49	51,5	58
B	82,6	85,1	86,8
C	38	38	38
D	61,1	61,1	63,4
E	21,5	24	23,4
F	3/8"	1/2"	3/4"
G	3/8"	1/2"	3/4"
Kg/cm ² bar	10	10	10
LBS - psi	145	145	145



MANUAL VALVES AND LOCKSHIELDS

394 Angle manual valve

MATERIALS



POS.	DESCRIPTION	N.	MATERIAL
1	Handle	1	ABS
2	O-ring	1	EPDM
3	Bonnet	1	Brass CW614N
4	Body	1	Nickel-plated brass CW617N
5	Washer	1	NBR
6	Union	1	Nickel-plated brass CW617N
7	Nut	1	Nickel-plated brass CW617N



MANUAL VALVES AND LOCKSHIELDS

394 Angle manual valve

LOSS DIAGRAM (With water)

	3/8"	1/2"	3/4"
KV	2,13	2,51	2,94

