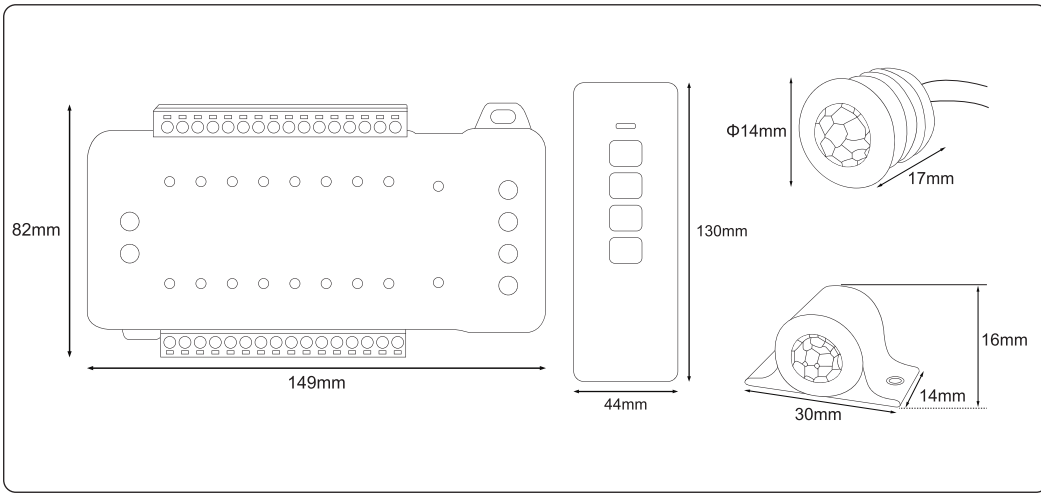


## RL-STEP-02 Parameters



**Product Name**  
16 Steps LED Strip Lighting Controller

**Model Number**  
RL-STEP-02

**Input Voltage**  
DC12V-24V

**Power**  
Each Step < 15W , Total < 240W

**Output Channel**  
16 Channels

**Color**  
White

**Application**  
Control Stair LED Strips

**Function**  
Adjust Mode/Brightness/Delat Time/Speed

## Product Details

01

### INTERFACE DESIGN

Power cord interface



02

### BUTTON DESIGN

Function buttons



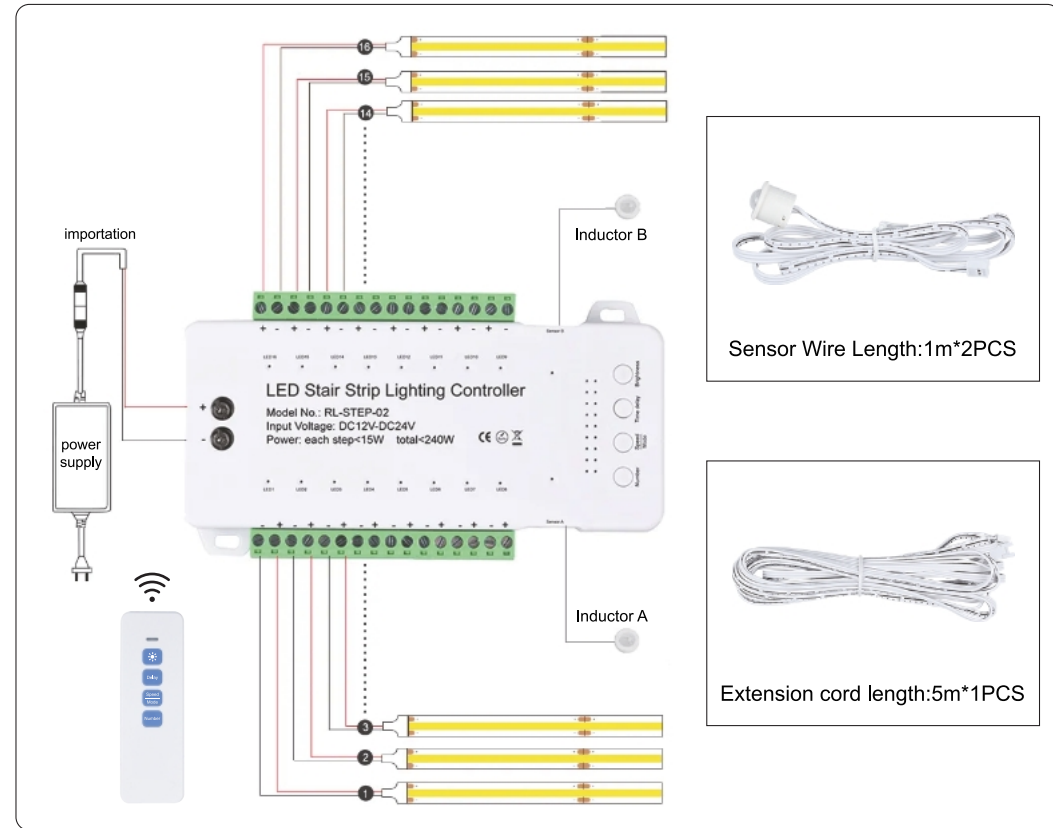
03

### REMOTE CONTROL

Remote control operation, easy to use



## Installation Diagram



## Sensor Installation Method



Surface



Recessed

# How To Use

## 1. Set Step Number

This controller have 16 steps.

Long press"Number"Key to set Step number.  
Short press"Number"Key to choose the step you want set.  
Long press"Number"Key to save this setting

Each step will have a"Blue"signal light

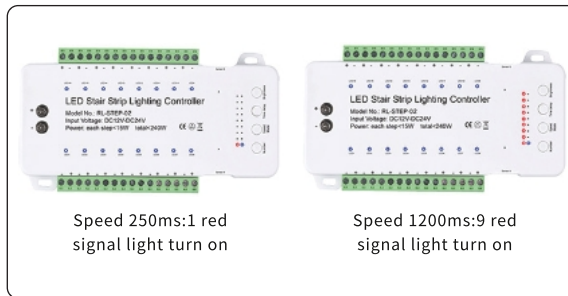
This is only 8 Steps working, 8 pcs"Blue"signal light will light up.



## 2. Speed

Total have 9 speed, it have a red signal light.  
Short preses"Speed"Key to set

|         |                                   |
|---------|-----------------------------------|
| Speed 1 | 250ms 1 red signal light turn on  |
| Speed 2 | 350ms 2 red signal light turn on  |
| Speed 3 | 450ms 3 red signal light turn on  |
| Speed 4 | 550ms 4 red signal light turn on  |
| Speed 5 | 650ms 5 red signal light turn on  |
| Speed 6 | 750ms 6 red signal light turn on  |
| Speed 7 | 850ms 7 red signal light turn on  |
| Speed 8 | 1000ms 8 red signal light turn on |
| Speed 9 | 1200ms 9 red signal light turn on |



## 3. Mode

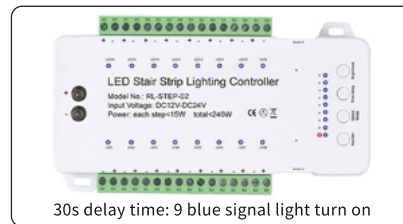
Long press Speed/Mode key on controller or remote, then can choose modes  
Short press to choose mode, once confirm mode, long press Speed/Mode key to save modes

|        |  |        |  |
|--------|--|--------|--|
| Mode 1 | all steps on                                   | Mode 2 | all steps on one by one                            |
| Mode 3 | all steps on with 2 steps at the time          | Mode 4 | 1 step on, moving according to Speed setting       |
| Mode 5 | 3 steps on, moving according to Speed setting  | Mode 6 | 1 step chase,moving according to Speed setting     |
| Mode 7 | 2 step chase,moving according to Speed setting | Mode 8 | Separated chase, moving according to Speed setting |
| Mode 9 | Auto change all modes 1-8                      |        |  |

## 4. Delay time(This time is all steps turn on-turn off)

9 time setting , it have Blue signal light

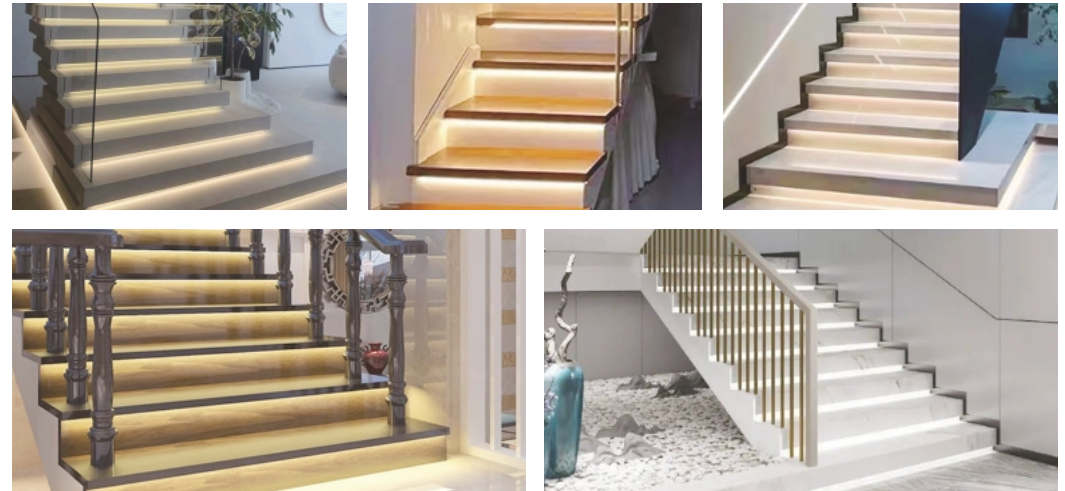
|     |                 |     |                 |
|-----|-----------------|-----|-----------------|
| 2s  | 1 light turn on | 4s  | 2 light turn on |
| 6s  | 3 light turn on | 8s  | 4 light turn on |
| 10s | 5 light turn on | 15s | 6 light turn on |
| 20s | 7 light turn on | 25s | 8 light turn on |
| 30s | 9 light turn on |     |                 |



## 5. Dimming

Brightness 10 levels 10%-20%-30%-40%-50%-60%-70%-80%-90%-100%

# Application Scenario



# Product List

