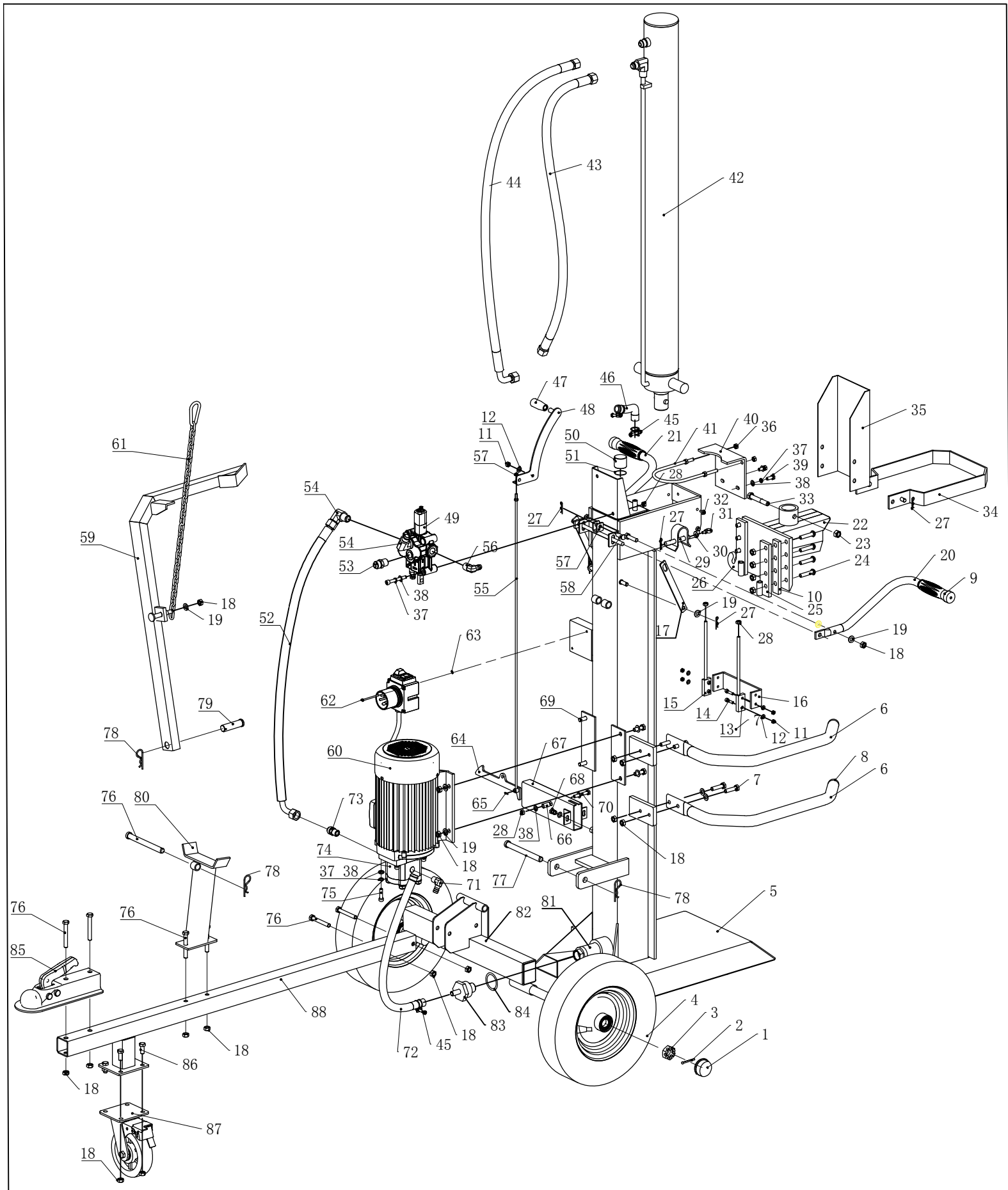


EXPLOZIE PIESE DE SCHIMB DESPICATOR LEMNE VERTICAL BTA-DV15T_BTA-DV18T



No.	Name	QTY	Remark
1	Wheel Cap	2	
2	Cotter Pin ϕ 4x36	2	
3	Nut M24x2	2	
4	Wheel	2	
5	Main Body	1	this part is different for 15T and 18T
6	Protection Pipe	1	
7	Bolt M10x40	4	
8	Tube Cap	2	
9	Handle Cap	2	
10	Wedge Spacer	2	
11	Nut M6	5	
12	Washer ϕ 6	5	
13	small slider(Right)	1	
14	Screw M6x25	4	
15	small slider(left)	1	
16	log fixing plate	1	
17	Connecting Plate	2	
18	Nut M10	28	
19	Washer ϕ 10	19	
20	Control Handle (left)	1	
21	Control Handle (Right)	1	
22	Wedge	1	
23	Nut M12	1	
24	Bolt M10x45	8	
25	Wedge Plate	1	
26	Hook	1	
27	R Pin ϕ 1.6x38	6	
28	Nut M8	5	
29	Support pin for Cylinder	2	
30	Washer 6x18x1.6	2	
31	Screw M6x10	2	
32	Screw M6x12	4	
33	Bolt M12x75	1	
34	Protection Plate	1	

35	Name Plate	1	
36	Hex Nut M8	4	
37	Spring Washer 8	10	
38	Washer 8	12	
39	Bolt M8x20	20	
40	Cylinder Protection Plate	1	
41	Cylinder Hoop	1	
42	Cylinder	1	this part is different for 15T and 18T
43	High Pressure Piple A	1	
44	High Pressure Piple B	1	
45	Hoop	4	
46	Oil Return Pipe	1	
47	Handle Cover(Small)	1	
48	Drawplates	1	
49	Control Valve	1	
50	Oil cap	1	
51	O-ring Oil Seal 25X3.55	1	
52	High Pressure Piple C	1	
53	Connector 1/2	1	
54	1/2 Connector	2	
55	Screw M8x65	2	
56	Connector for Oil Return Pipe	1	
57	Control Valve Connect Rod	1	
58	Pin ϕ 10x25B	1	
59	Log Lift	1	
60	Motor	1	
61	Chain	1	
62	Screw M4x55	2	
63	Hex nut M4	2	
64	Lock Plate for Log Lift	1	
65	Cotter Pin 1.6x10	1	
66	Space tube	1	
67	Lock case	1	
68	Bolt M8x16	2	
69	Bolt M10x30	4	

70	Screw M8x50	1	
71	Connector for Oil Suction Pipe	1	
72	Oil Suction Pipe	1	
73	Connector 3/8 1/2	1	
74	Pump	1	
75	Screw M8x35	4	
76	Bolt M10x75	6	
77	Beam Lock Pin	2	
78	R Pin ϕ 3x73	3	
79	Lock Pin	1	
80	Support tube for Main Body	1	
81	Oil Filter	1	
82	Wheel Stand	1	
83	Nut M47x2	1	
84	O-RING OIL SEAL ϕ 44x4	1	
85	Tow	1	
86	Bolt M10x25	4	
87	Universal Wheel	1	
88	Tow Hitch	1	