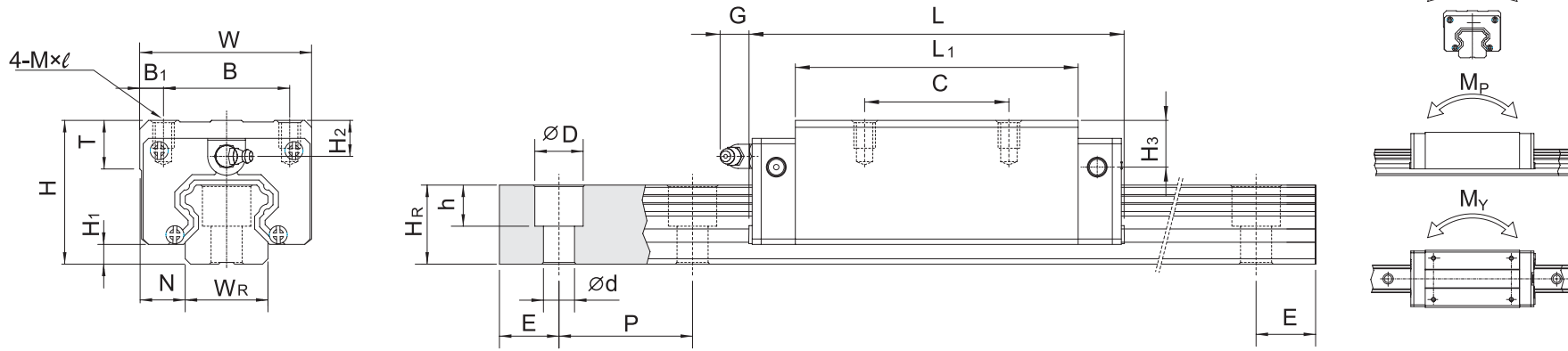


3. Specifications

3-1 HGH-CA/HGH-HA Type



Model No.	Dimensions of Assembly (mm)			Dimensions of Block (mm)											Mounting Bolt for Rail (mm)	Basic Dynamic Load Rating C (kN)	Basic Static Load Rating C ₀ (kN)	Static Rated Moment			Weight								
	H	H ₁	N	W	B	B ₁	C	L ₁	L	G	M x ℓ	T	H ₂	H ₃				W _R	H _R	D	h	d	P	E	M _R (kN-m)	M _P (kN-m)	M _Y (kN-m)	Block (kg)	Rail (kg/m)
HGH 15CA	28	4.3	9.5	34	26	4	26	39.4	61.4	5.3	M4x5	6	8.5	9.5	15	15	7.5	5.3	4.5	60	20	M4x16	11.38	25.31	0.17	0.15	0.15	0.18	1.45
HGH 20CA	30	4.6	12	44	32	6	36	50.5	75.6	12	M5x6	8	6	7	20	17.5	9.5	8.5	6	60	20	M5x16	17.75	37.84	0.38	0.27	0.27	0.30	2.21
HGH 20HA							50	65.2	90.3														21.18	48.84	0.48	0.47	0.47	0.39	
HGH 25CA	40	5.5	12.5	48	35	6.5	35	58	83	12	M6x8	8	10	13	23	22	11	9	7	60	20	M6x20	26.48	56.19	0.64	0.51	0.51	0.51	3.21
HGH 25HA							50	78.6	103.6														32.75	76.00	0.87	0.88	0.88	0.69	
HGH 30CA	45	6	16	60	40	10	40	70	97.4	12	M8x10	8.5	9.5	13.8	28	26	14	12	9	80	20	M8x25	38.74	83.06	1.06	0.85	0.85	0.88	4.47
HGH 30HA							60	93	120.4														47.27	110.13	1.40	1.47	1.47	1.16	
HGH 35CA	55	7.5	18	70	50	10	50	80	112.4	12	M8x12	10.2	16	19.6	34	29	14	12	9	80	20	M8x25	49.52	102.87	1.73	1.20	1.20	1.45	6.30
HGH 35HA							72	105.8	138.2														60.21	136.31	2.29	2.08	2.08	1.92	
HGH 45CA	70	9.5	20.5	86	60	13	60	97	138	12.9	M10x17	16	18.5	30.5	45	38	20	17	14	105	22.5	M12x35	77.57	155.93	3.01	2.35	2.35	2.73	10.41
HGH 45HA							80	128.8	169.8														94.54	207.12	4.00	4.07	4.07	3.61	
HGH 55CA	80	13	23.5	100	75	12.5	75	117.7	165.7	12.9	M12x18	17.5	22	29	53	44	23	20	16	120	30	M14x45	114.44	227.81	5.66	4.06	4.06	4.17	15.08
HGH 55HA							95	155.8	203.8														139.35	301.26	7.49	7.01	7.01	5.49	
HGH 65CA	90	15	31.5	126	76	25	70	144.2	198.2	12.9	M16x20	25	15	15	63	53	26	22	18	150	35	M16x50	163.63	324.71	10.02	6.44	6.44	7.00	21.18
HGH 65HA							120	203.6	257.6														208.36	457.15	14.15	11.12	11.12	9.82	

Note : 1 kgf = 9.81 N