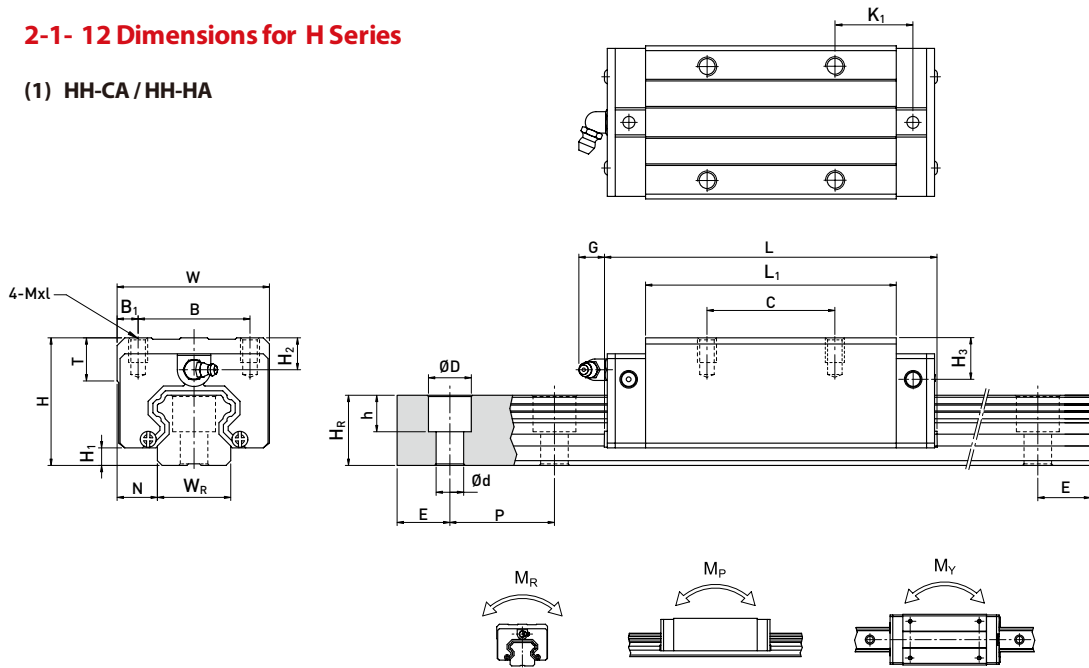


Linear Guideways- H Series

2-1- 12 Dimensions for H Series

(1) HH-CA / HH-HA



Model No.	Dimensions of Assembly (mm)		Dimensions of Block (mm)												Dimensions of Rail (mm)										Mounting Bolt for Rail (mm)	Basic Dynamic Load Rating C (kN)	Basic Static Load Rating C ₀ (kN)	Static Rated Moment			Weight	
	H	H ₁	N	W	B	B ₁	C	L ₁	L	K ₁	G	Mxl	T	H ₂	H ₃	W _R	H _R	D	h	d	P	E	M _R (kN-m)	M _P (kN-m)				M _Y (kN-m)	Block (kg)	Rail (kg/m)		
	HH15CA	28	4.3	9.5	34	26	4	26	39.4	61.4	10	5.3	M4x5	6	7.95	7.7	15	15	7.5	5.3	4.5	60	20	M4x16	11.38	16.97	0.12	0.10	0.10	0.18	1.45	
HH20CA	30	4.6	12	44	32	6	36	50.5	77.5	12.25	12	M5x6	8	6	6	20	17.5	9.5	8.5	6	60	20	M5x16	17.75	27.76	0.27	0.20	0.20	0.30	2.21		
HH20HA							50	65.2	92.2	12.6														21.18	35.9	0.35	0.35	0.35	0.39			
HH25CA	40	5.5	12.5	48	35	6.5	35	58	84	15.7	12	M6x8	8	10	9	23	22	11	9	7	60	20	M6x20	26.48	36.49	0.42	0.33	0.33	0.51	3.21		
HH25HA							50	78.6	104.6	18.5														32.75	49.44	0.56	0.57	0.57	0.69			
HH30CA	45	6	16	60	40	10	40	70	97.4	20.25	12	M8x10	8.5	9.5	13.8	28	26	14	12	9	80	20	M8x25	38.74	52.19	0.66	0.53	0.53	0.88	4.47		
HH30HA							60	93	120.4	21.75														47.27	69.16	0.88	0.92	0.92	1.16			
HH35CA	55	7.5	18	70	50	10	50	80	112.4	20.6	12	M8x12	10.2	16	19.6	34	29	14	12	9	80	20	M8x25	49.52	69.16	1.16	0.81	0.81	1.45	6.30		
HH45CA	70	9.5	20.5	86	60	13	60	97	139.4	23	12.9	M10x17	16	18.5	30.5	45	38	20	17	14	105	22.5	M12x35	77.57	102.71	1.98	1.55	1.55	2.73	10.41		

Note : 1 kgf = 9.81 N