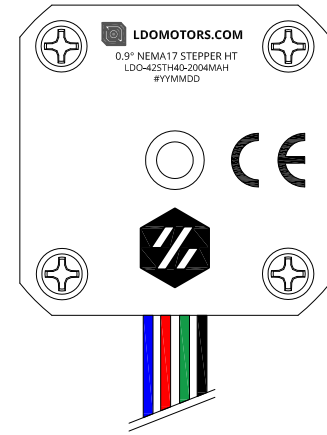
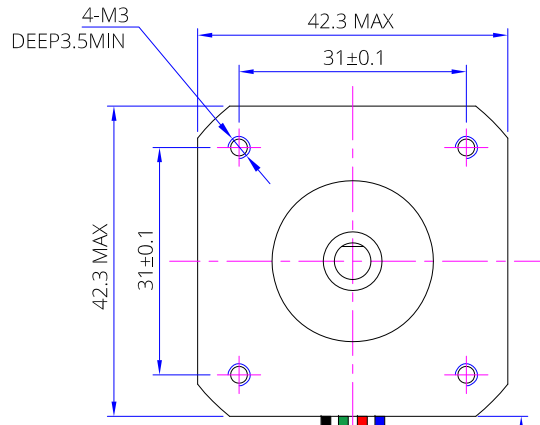
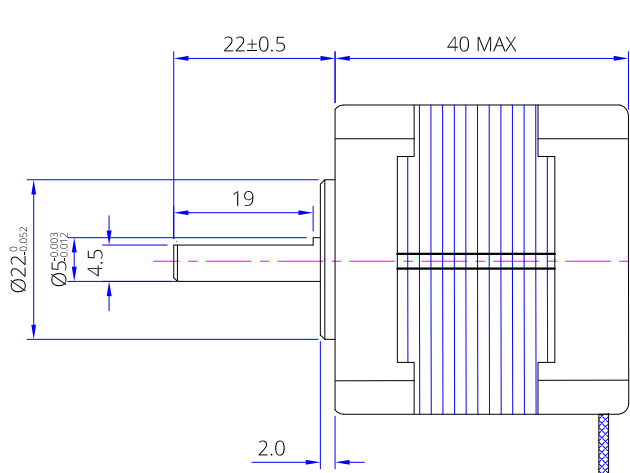
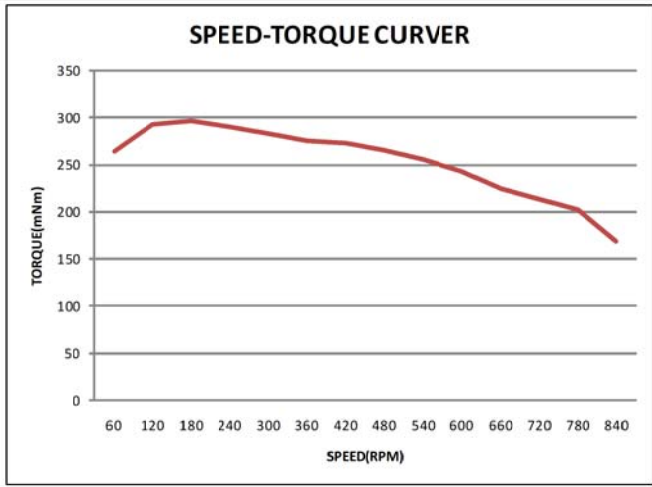


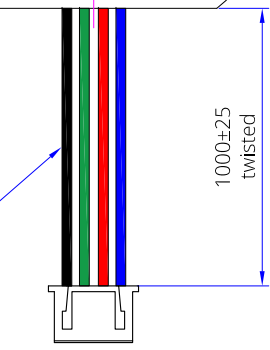
A



B

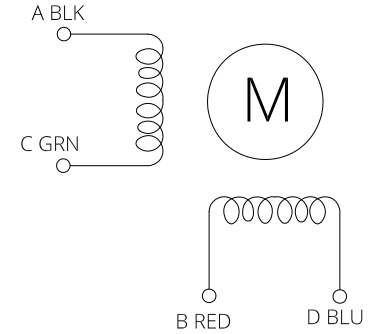


UL1332 24AWG  
Teflon Wire  
200 DegreeC  
(KEY Feature)



Connector: JST XHP-4,  
or Equivalent.

Diagram



C

Item	Specification	Item	Specification
Phase Number	2	Step Angle	0.9° ± 5%
Rated Voltage	DC 2.1V / Phase	Rated Current	DC 2.0A / Phase
Phase Resistance	1.1x(1±15%) Ω	Phase Inductance	2.8x(1±20%) mH
Holding Torque	3.5Kgf-cm (350mN-m)	Detent Torque	10 mN-m REF.
Rotate Direction	A-AB-B CW	Insulate Resistance	100Mohm(DC500V)
HI-POT	AC600V/1mA/1S	Insulation Class	<b>Class H 180°C</b>
Rotor Inertia	71 g-cm <sup>2</sup> REF	Weight	0.28 Kg REF

\* For Voron V1&2 A/B Motor (X/Y Motor), 2pcs per printer.

REV.	ECN NO.	DESCRIPTION	MADE BY	APPR. BY	DATE
A	---	NEW RELEASE	Xu SD	J.B.	8/25/20

	VIEW		<b>LDO Motors Co., Ltd.</b>		
	SCALE		Part NO. <b>0.9° NEMA17 Stepper Motor HT                  LDO-425TH40-2004MAH(VRN)</b>		
DRAWN BY	CHECKED BY	APPR. BY	DATE	FACTORY CODE	SHEET NO.
Xu SD	J.B.	J.B.	8/25/20		1/1

D

D