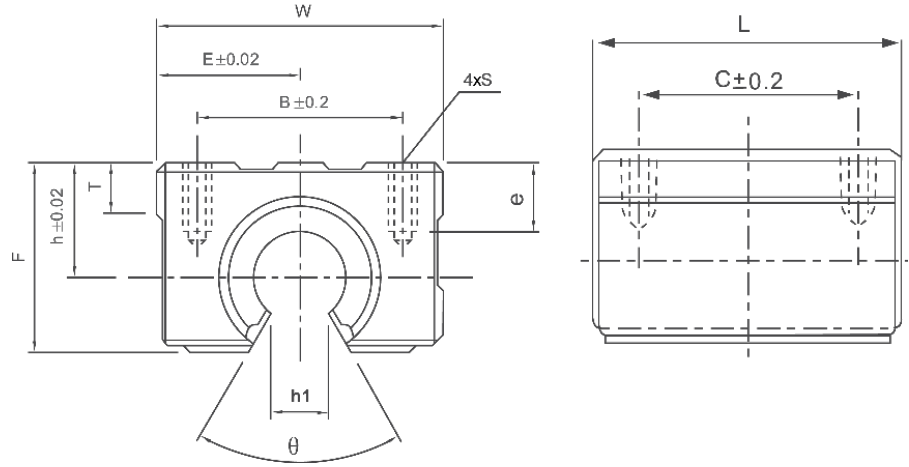


TIP SME SME TYPE



Cod Code	Tip Type	h	E	W	L	F	T	h1	θ	B	C	Sxe	Rulment Bearing	Sarcină Load		Greutate Weight
														C	C0	
(mm)														(N)	(N)	(g)
84.040.007	SME16UU	20	22,5	45	45	33	9	10	80	32	30	M5x12	LM16UU-OP	774	1180	150
84.040.009	SME20UU	23	24	48	50	39	11	10	60	35	35	M6x12	LM20UU-OP	882	1370	200
84.040.011	SME25UU	27	30	60	65	47	14	11,5	50	40	40	M6x12	LM25UU-OP	980	1570	450
84.040.013	SME30UU	33	35	70	70	56	15	14	50	50	50	M8x18	LM30UU-OP	1570	2740	630
84.040.014	SME35UU	37	40	80	80	63	18	16	50	55	55	M8x18	LM35UU-OP	1670	3140	925
84.040.015	SME40UU	42	45	90	90	72	20	19	50	65	65	M10x20	LM40UU-OP	2160	4020	1330
84.040.016	SME50UU	53	60	120	110	92	25	23	50	94	80	M10x20	LM50UU-OP	3820	7940	3000

În carcasa de aluminiu este rulment LM-OP.
In the aluminium housing is LM-OP bushing.