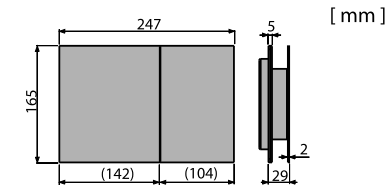
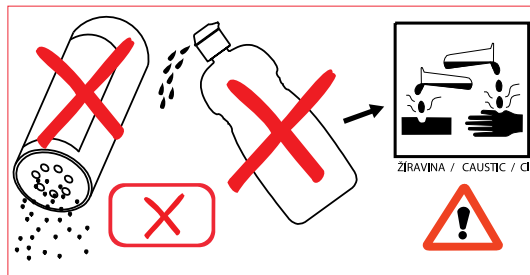
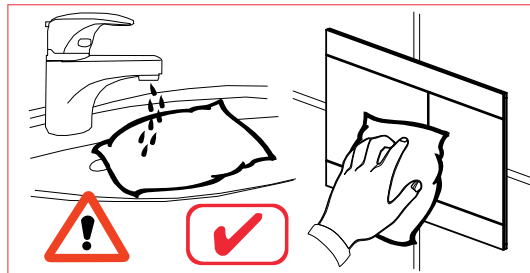
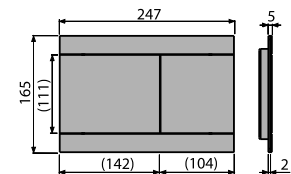




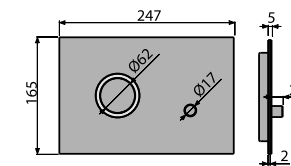
AIR ■ FUN ■ STING ■ STRIPE ■ TURN



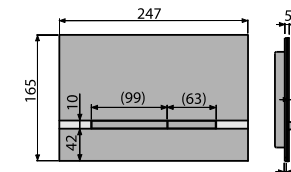
AIR, AIR-INOX



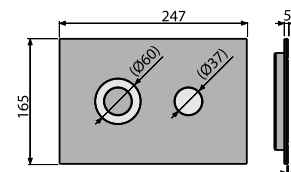
FUN, FUN-ANTIC, FUN-BEECH, FUN-INOX, FUN-OAK WHITE, FUN-TEAK, FUN-WENGE, FUN-WHITE, FUN-BLACK, FUN-BRASS



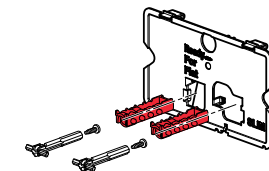
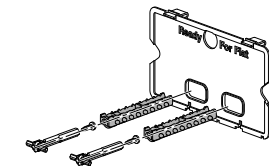
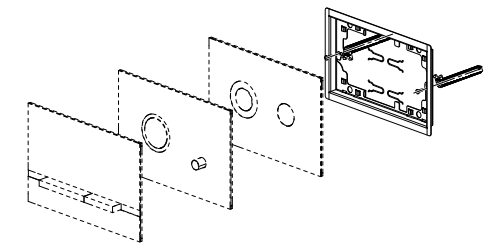
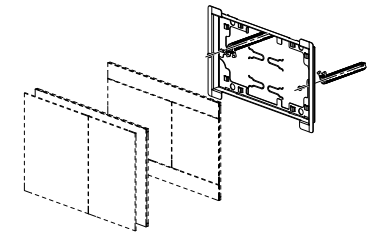
STING, STING-INOX

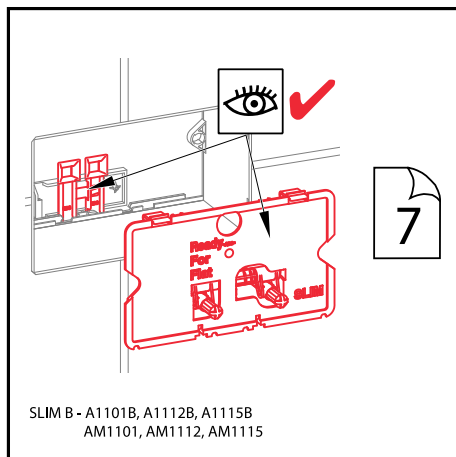
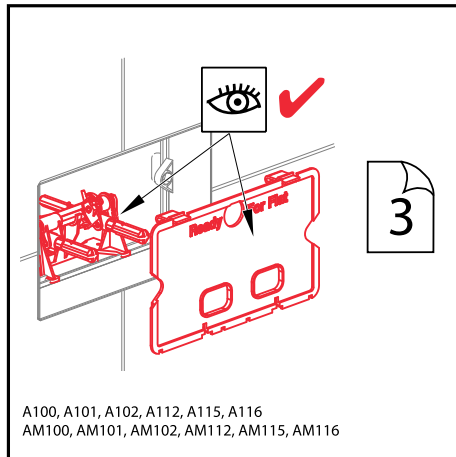


STRIPE, STRIPE-BEECH, STRIPE-BLACK, STRIPE-INOX, STRIPE-OAK WHITE, STRIPE-TEAK, STRIPE-WENGE, STRIPE-WHITE, STRIPE-GLASS WHITE, STRIPE-GLASS BLACK



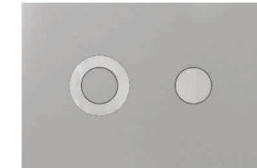
TURN, TURN-INOX





http:// "HELP" !!

Turn
Ovládací tlačítko pro předstěnové instalační systémy



- SPECIFIKACE
- PODROBNOSTI
- KE STAŽENÍ
- MONTÁŽ**



Kalkulátor pro FLAT tlačítka

Druh modulu:

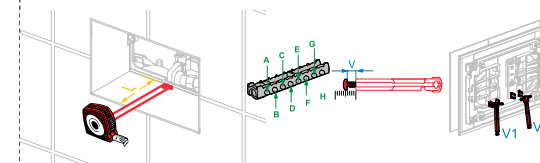
Název tlačítka:

Hloubka řimce [L] : mm

Nastavení táhla:

Levý šroub [V1] : mm

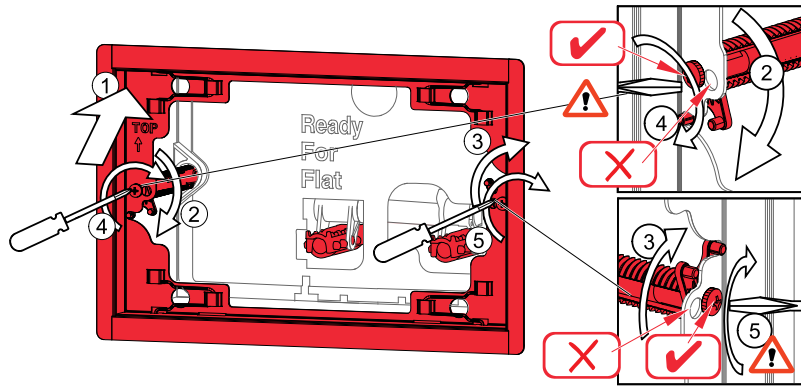
Pravý šroub [V2] : mm



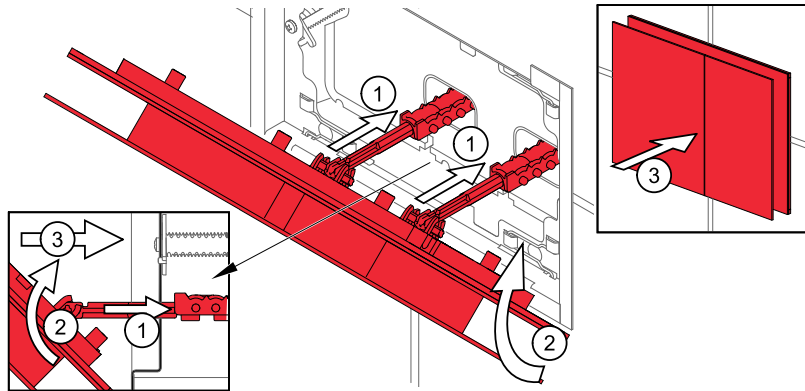
Montáž
Установка
Montáž
Installation
Montage
Montaj
Montaj
Szerelés
Montaggio
Установка

- | CZ <http://www.alcaplast.cz/vyroby/predstenoive-instalacni-systemy/ovladaci-tlacitka/flat/alunox/turn-detail> (sting, stripe, fun, air)
- | RUS <http://alcaplastcz.ru/vyroby/predstenoive-instalacni-systemy/ovladaci-tlacitka/flat/alunox/turn-detail> (sting, stripe, fun, air)
- | SK <http://www.alcaplast.sk/produkty/prehľad-vyrobkov/tlacitka/flat/turn/> (sting, stripe, fun, air)
- | GB <http://www.alcaplast.com/products/products/flush-plates/flat/turn/> (sting, stripe, fun, air)
- | DE <http://de.alcaplast.com/produkte/produktubersicht/betätigungsplatten/flat/turn/> (sting, stripe, fun, air)
- | PL <http://www.alcaplast.pl/produkty/przegląd-wyrobów/przyciski-sterujące/flat/turn/> (sting, stripe, fun, air)
- | RO <http://www.alcaplast.ro/produse/produse/clapeta-de-actionare/flat/turn/> (sting, stripe, fun, air)
- | HU <http://www.alcaplast.hu/termekek/gyartmanyok-sorozat/nyomogombok/flat/turn/> (sting, stripe, fun, air)
- | IT <http://it.alcaplast.com/prodotti/elenco-prodotti/pulsanti/flat/turn/> (sting, stripe, fun, air)
- | BY <http://alcaplast.by/vyroby/predstenoive-instalacni-systemy/ovladaci-tlacitka/flat/> (sting, stripe, fun, air)

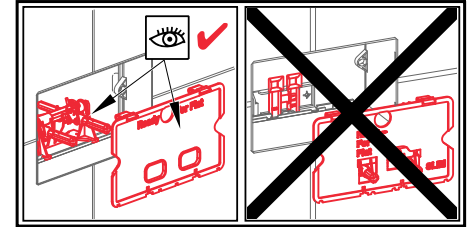
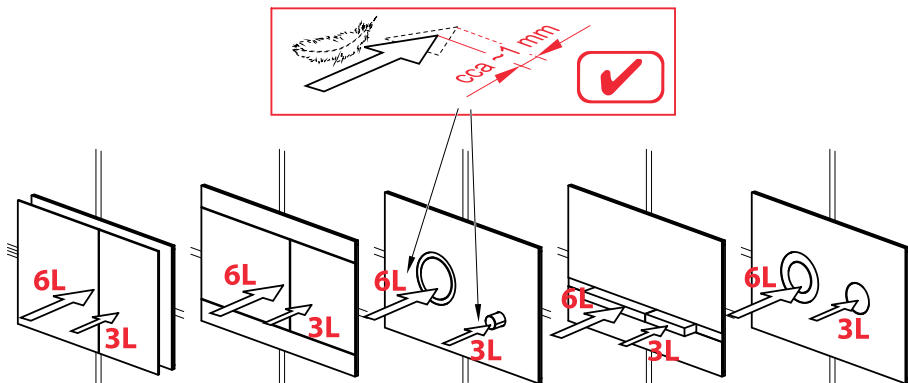
14



15

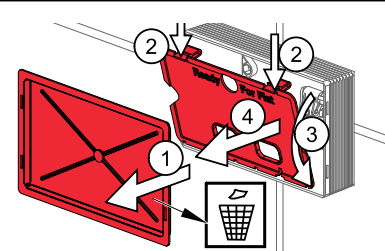


16

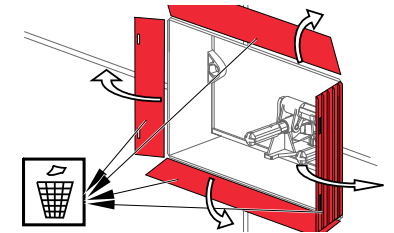


A100, A101, A102, A112, A115, A116
AM100, AM101, AM102, AM112, AM115, AM116

1



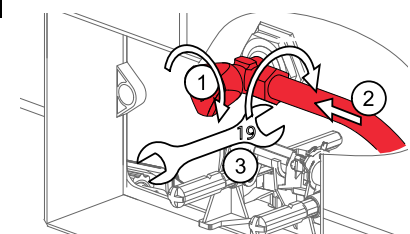
2



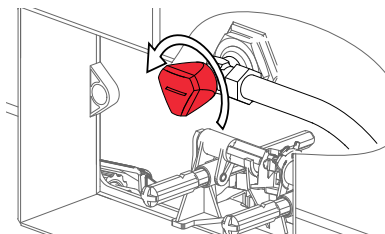
3



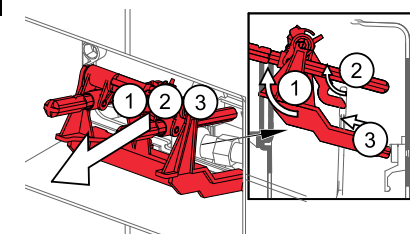
4



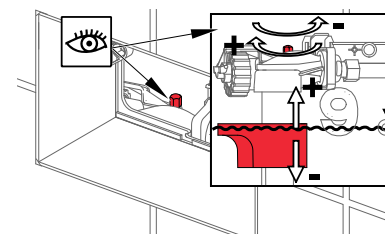
5



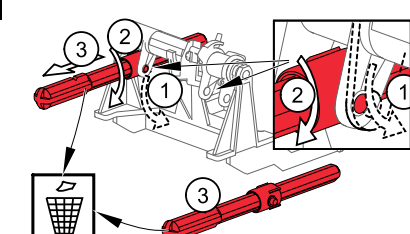
6



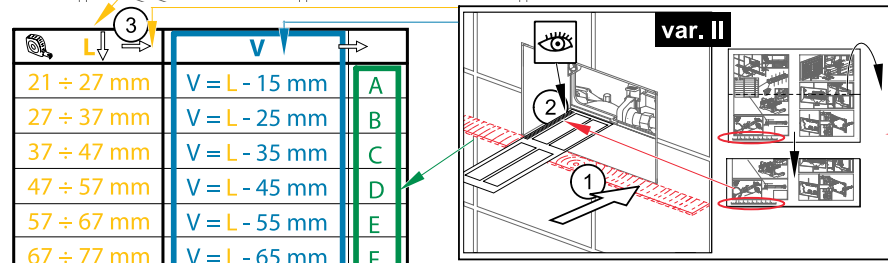
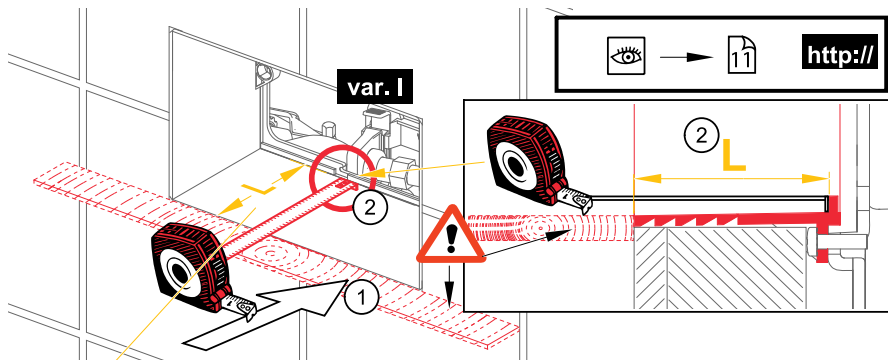
7



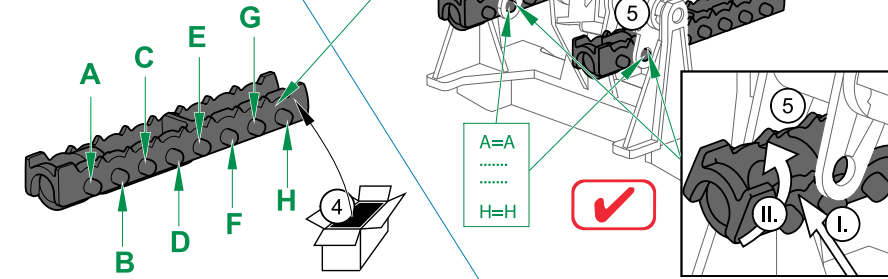
8



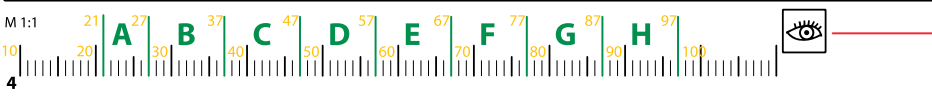
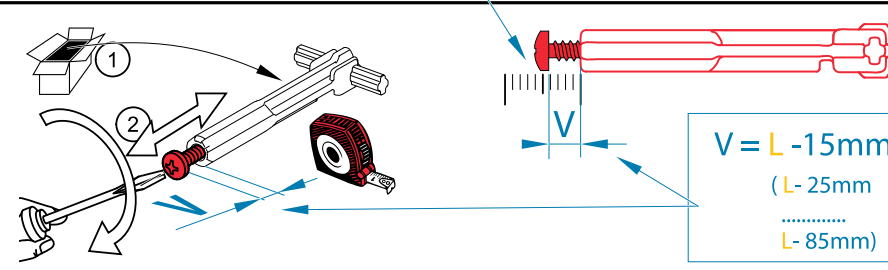
9



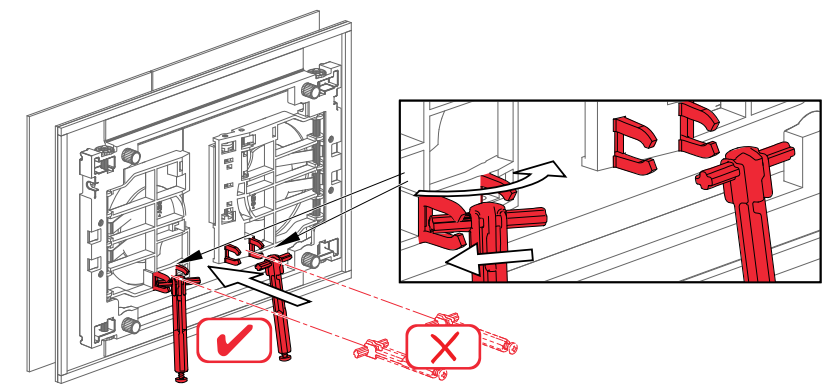
L	V	
21 ÷ 27 mm	V = L - 15 mm	A
27 ÷ 37 mm	V = L - 25 mm	B
37 ÷ 47 mm	V = L - 35 mm	C
47 ÷ 57 mm	V = L - 45 mm	D
57 ÷ 67 mm	V = L - 55 mm	E
67 ÷ 77 mm	V = L - 65 mm	F
77 ÷ 87 mm	V = L - 75 mm	G
87 ÷ 97 mm	V = L - 85 mm	H



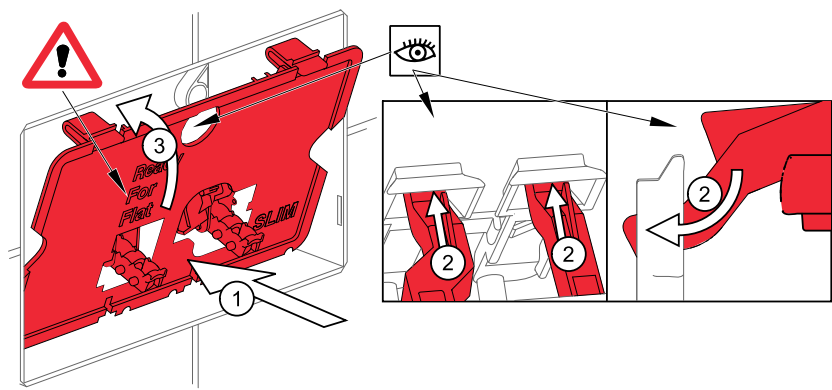
10



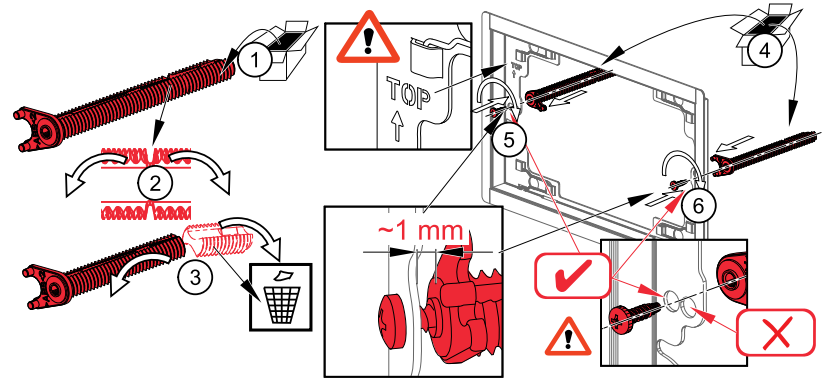
11



12



13



8

9

var. I

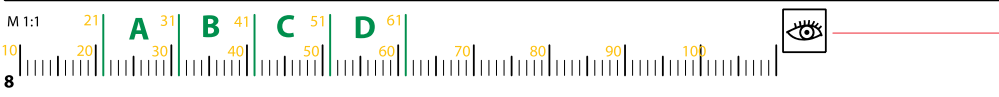
var. II

V	A
21 + 31 mm	V = L - 21 mm
31 + 41 mm	V = L - 31 mm
41 + 51 mm	V = L - 41 mm
51 + 61 mm	V = L - 51 mm

A=A
D=D

10

$V = L - 21\text{mm}$
(L - 31mm
L - 51mm)



11

12

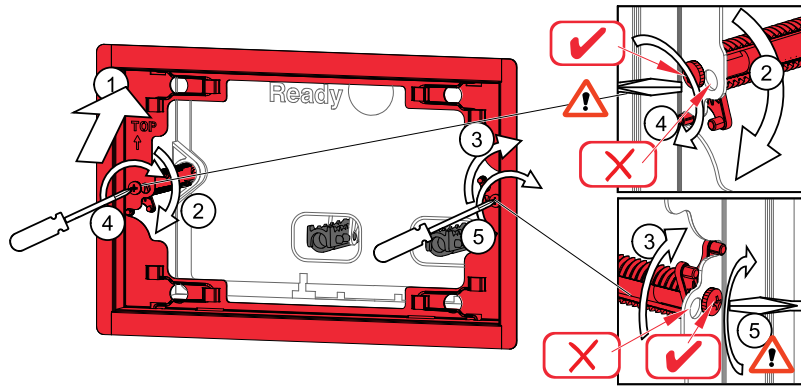
13

14

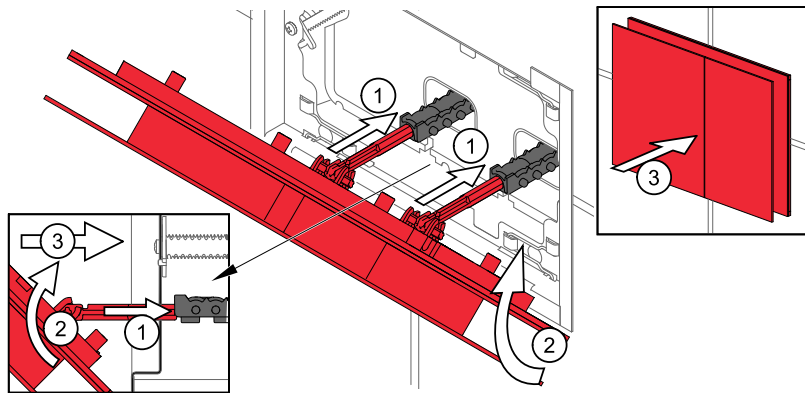
TOP ↑

~1 mm

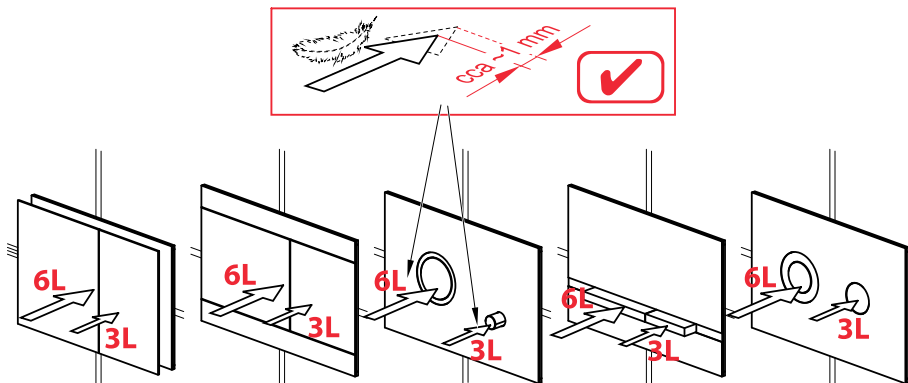
15



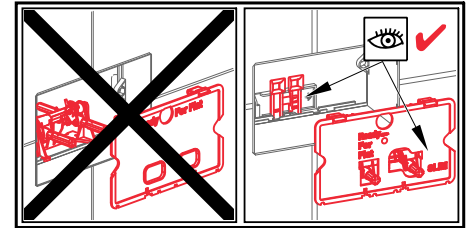
16



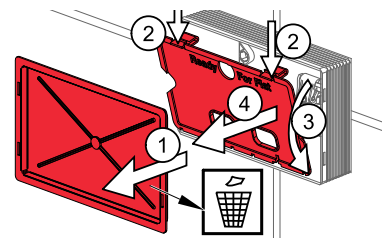
17



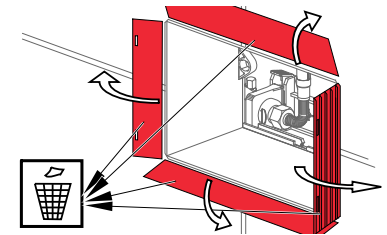
SLIM B - A1101B, A1112B, A1115B
AM1101, AM1112, AM1115



1



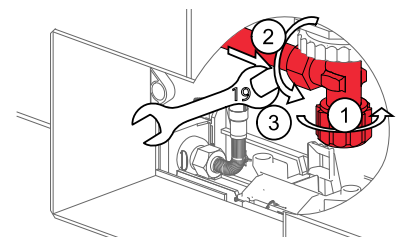
2



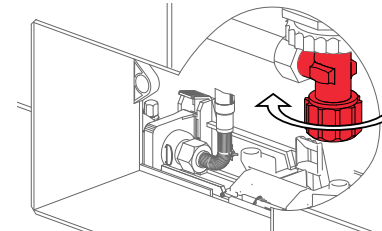
3



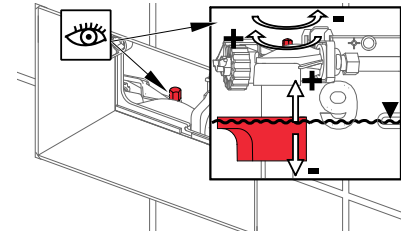
4



5



6



7

