

SILVER *dynamic* AGM - 550 901 054 J38 2

General information

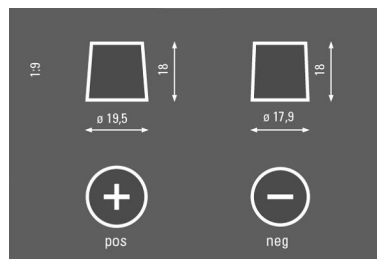
VARTA Part No.	550 901 054 J38 2
European Type No (ETN)	550 901 054
HKB	A9
Packing Unit	1
Article status	001

Technical information

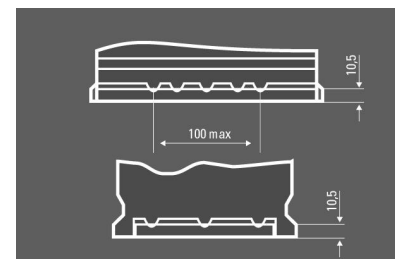
Voltage [V]	12	Length [mm]	207
Capacity (Ah)	50	Width [mm]	175
Cold-test Current, DIN [A]		Height [mm]	190
Cold-test Current, EN [A]	540	Clamping height	
Terminal Type	1	Case size	H4/LN1
Hold-down	B13		



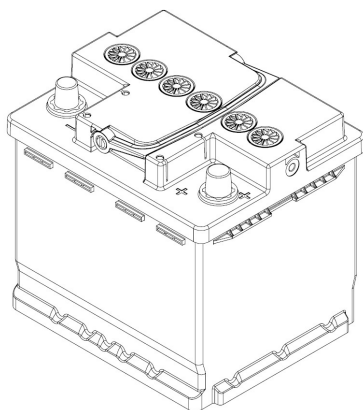
Photo



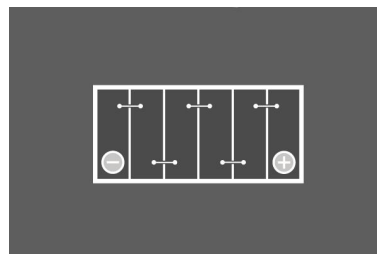
Terminal Type



Base holddown



Technical Drawing



Terminal Placement



SILVER *dynamic* AGM - 550 901 054 J38 2

ALPINA		
XB7 (G07)	05/20 #	
BITURBO (457 kW)		
AUDI		
Q4 SUV (F4B)	07/20 #	
40 e-tron (150 kW)		
BMW		
5 (G30, F90)	09/16 #	
530 e Plug-in-Hybrid (135 kW)		
520 i (120/135 kW)		
530 i (185 kW)		
530 i xDrive (185 kW)		
540 i (250/265 kW)		
540 i xDrive (250/265 kW)		
M 550 i xDrive (340/390 kW)		
520 d (140/120 kW)		
520 d xDrive (140/120 kW)		
530 d (195 kW)		
530 d xDrive (195/183 kW)		
525 d (170/155 kW)		
540 d xDrive (235 kW)		
M 550 d xDrive (294 kW)		
M5 (441 kW)		
M5 Competition (460 kW)		
518 d (100/110 kW)		
5 Touring (G31)	03/17 #	
520 i (120 kW)		
540 i xDrive (265/250/265 kW)		
525 d (170/155 kW)		
530 i (185 kW)		
520 d (120 kW)		
M 550 d xDrive (294 kW)		
540 d xDrive (235 kW)		
520 d xDrive (140/120 kW)		
518 d (110/100 kW)		
530 d (195 kW)		
530 d xDrive (195 kW)		
530 i xDrive (185 kW)		
5 Touring Van (G31)	03/17 #	
520 i (135 kW)		
520 d (140 kW)		
520 d xDrive (140 kW)		
BMW		
5 Touring Van (G31)	03/17 #	
530 d (195 kW)		
530 d xDrive (195 kW)		
530 i (185 kW)		
530 i xDrive (185 kW)		
540 d xDrive (235 kW)		
540 i xDrive (250 kW)		
6 Gran Turismo (G32)	06/17 #	
630 i (183 kW)		
630 i xDrive (190 kW)		
640 i Mild-Hybrid xDrive (245 kW)		
630 i (190 kW)		
640 i (250/265 kW)		
640 i xDrive (250/265 kW)		
630 d (195/155 kW)		
630 d xDrive (183/195/155 kW)		
620 d (140/120 kW)		
620 d xDrive (140/120 kW)		
640 d xDrive (235 kW)		
7 (F01, F02, F03, F04)	02/08 # 12/15	
ActiveHybrid 7 (330 kW)		
7 (G11, G12)	07/15 #	
730 i (183 kW)		
730 d, Ld xDrive (183 kW)		
730 d, Ld Mild-Hybrid xDrive (183 kW)		
730 i, Li (195 kW)		
740 Li xDrive (240/250 kW)		
750 d, Ld xDrive (294 kW)		
740 i, Li (250 kW)		
750 i, Li xDrive (390 kW)		
8 Coupe (G15, F92)	07/18 #	
840 i (250 kW)		
M 850 i xDrive (390 kW)		
840 d xDrive (235 kW)		
840 i xDrive (250 kW)		
8 Gran Coupe (G16, F93)	07/19 #	
840 i (250 kW)		
840 i xDrive (250 kW)		
M 850 i xDrive (390 kW)		
840 d xDrive (235 kW)		

SILVER *dynamic* AGM - 550 901 054 J38 2

BMW		BMW	
8 Convertible (G14, F91)	11/18 #	X4 (G02, F98)	04/18 #
840 i (250 kW)		M40 i xDrive (265/260 kW)	
M 850 i xDrive (390 kW)		xDrive 30 i (185 kW)	
840 i xDrive (250 kW)		xDrive 20 d (140 kW)	
840 d xDrive (235 kW)		xDrive 25 d (155/170 kW)	
i8 (I12)	03/14 # 06/20	xDrive 20 d xDrive (120 kW)	
hybrid (170 kW)		xDrive 30 d (183/195 kW)	
i8 Roadster (I15)	03/18 # 06/20	M40 d xDrive (240 kW)	
hybrid (170 kW)		xDrive 30 i (183 kW)	
iX3 (G08)	09/20 #	xDrive 20 d Mild-Hybrid (120/140 kW)	
Electric (80 kW)		xDrive 30 d Mild-Hybrid (183 kW)	
X3 (G01, F97)	07/17 #	M40 d Mild-Hybrid xDrive (250 kW)	
xDrive 30 e Plug-in-Hybrid (120 kW)		X5 (F15, F85)	08/13 # 07/18
xDrive 20 d Mild-Hybrid (120 kW)		xDrive 30 d (183 kW)	
xDrive 30 i (183 kW)		X5 (G05, F95)	08/18 #
xDrive 30d Mild-Hybrid (183/210 kW)		xDrive 45 e Plug-in-Hybrid (155 kW)	
xDrive M40 d Mild-Hybrid (250 kW)		M50 i xDrive (390 kW)	
sDrive 18 d Mild-Hybrid (100/110 kW)		xDrive 25 d (155 kW)	
xDrive 30 e Plug-in-Hybrid (135 kW)		xDrive 45 e Plug-in-Hybrid (210 kW)	
xDrive 20 i (135 kW)		xDrive 30 d (195/183 kW)	
xDrive M40 i (265/260 kW)		xDrive 25 d (170 kW)	
xDrive 20 d (140/120 kW)		xDrive 40 i (250 kW)	
xDrive 30 i (185 kW)		xDrive M 50 d (294 kW)	
xDrive 30d (195/183 kW)		X5 Van (G05)	11/19 #
sDrive 20 i (135 kW)		xDrive 40 i (250 kW)	
sDrive 20 i 1.6 (125 kW)		xDrive 30 d (195 kW)	
xDrive M40 d (240 kW)		X6 (F16, F86)	08/14 # 07/19
sDrive 18 d (110/100 kW)		xDrive 28 i (180 kW)	
X3 Van (G01)	07/17 #	xDrive 30 d (183 kW)	
xDrive 20 i (135 kW)		X6 (G06, F96)	08/19 #
sDrive 18 d (110 kW)		xDrive 40 i (250 kW)	
xDrive 30 i (185 kW)		M50 i xDrive (390 kW)	
xDrive M40 i (265 kW)		xDrive 30 d (195/183/155 kW)	
xDrive 20 d (140 kW)		xDrive M 50 d (294 kW)	
xDrive 30 d (195 kW)		X7 (G07)	03/19 #
X4 (G02, F98)	04/18 #	xDrive 40 i (250 kW)	
xDrive 20 i (135 kW)		xDrive M 50 d (294 kW)	
		xDrive M 50 i (390 kW)	

SILVER *dynamic* AGM - 550 901 054 J38 2

CHEVROLET		HYUNDAI	
BOLT	08/16 #	KONA (OS, OSE, OSI)	06/17 #
EV (150 kW)		1.6 GDi Hybrid (77 kW)	
DACIA		i10 III (AC3, AI3)	09/19 #
LOGAN (LS_)	08/04 #	1.0 MPi (49 kW)	
1.4 (55 kW)		1.0 T-GDi (74 kW)	
SANDERO	06/08 #	1.2 MPi (62 kW)	
1.2 16V (55 kW)		i20 III (BC3, BI3)	08/20 #
1.4 (55 kW)		1.0 T-GDi hybrid 48V (74 kW)	
SANDERO III	01/21 #	KIA	
1.0 TCe 90 (67 kW)		NIRO I (DE)	09/16 # 08/22
SPRING	10/20 #	E-NIRO (100 kW)	
EV (33 kW)		PICANTO III (JA)	03/17 #
FIAT		1.0 LPG (48 kW)	
PANDA (312_, 319_)	02/12 #	1.0 (49/51 kW)	
1.0 Mild Hybrid (51 kW)		1.2 (62 kW)	
GRANDE PUNTO (199_)	06/05 #	1.0 T-GDi (74 kW)	
1.4 LPG (57 kW)		RIO X-LINE IV Hatchback (FB)	11/17 #
500 (312_)	07/07 #	1.4 (74 kW)	
1.0 Mild Hybrid (51 kW)		1.6 (90 kW)	
1.3 D Multijet (55 kW)		RIO IV (YB, SC, FB)	01/17 #
500 C (312_)	09/09 #	1.0 T-GDi 100 (74 kW)	
1.0 Mild Hybrid (51 kW)		1.4 CRDi 77 (57 kW)	
HYUNDAI		1.6 (90 kW)	
i10 I (PA)	10/07 #	1.0 T-GDi 120 (88 kW)	
1.0 (51 kW)		1.4 (73/74 kW)	
1.1 (51 kW)		1.25 (62 kW)	
1.2 (63/57/59/64 kW)		1.4 CRDi 90 (66 kW)	
1.1 LPG (51 kW)		1.2 CVVT (62 kW)	
1.1 LPG (48 kW)		RIO IV Saloon (SC, FB)	07/17 #
1.2 LPG (57 kW)		1.4 (73 kW)	
i10 II (BA, IA)	08/13 #	1.6 (90 kW)	
1.2 (60 kW)		SOUL III (SK3)	01/19 #
1.1 CRDi (52 kW)		E-SOUL (100 kW)	
i10 II Saloon	12/13 #	1.6 MPi (91 kW)	
1.2 (61 kW)		1.6 T-GDi (147 kW)	
1.1 D (53 kW)		2.0 MPi (110 kW)	
i20 II (GB, IB)	11/14 #	STONIC (YB)	07/17 #
1.2 (62 kW)		1.0 T-GDi (74 kW)	
KONA (OS, OSE, OSI)	06/17 #	1.4 LPG (71 kW)	
1.0 T-GDi (88 kW)			

SILVER *dynamic* AGM - 550 901 054 J38 2

KIA	
RIO IV Hatchback Van (YB, SC, FB)	01/17 #
1.0 T-GDI 100 (74 kW)	
1.0 T-GDI 120 (88 kW)	
STONIC Hatchback Van (YB)	07/17 #
1.0 T-GDi (74 kW)	
XCEED (CD)	06/19 #
1.6 GDI Hybrid (77 kW)	
LANCIA	
YPSILON (312_)	05/11 #
1.0 Mild Hybrid (51 kW)	
MERCEDES-BENZ	
EQE (V295)	02/22 #
EQE 43 AMG 4-matic (350 kW)	
MINI	
MINI (F56)	12/13 #
Cooper SE / Electric (75 kW)	
NISSAN	
LEAF (ZE1)	08/17 #
Electric (110 kW)	
MICRA IV (K13KK)	07/09 #
1.2 (59 kW)	
OPEL	
AMPERA-E (F17)	05/17 # 03/19
EV150 (150 kW)	
CORSA D (S07)	07/06 # 08/14
1.2 LPG (59 kW)	
RENAULT	
TWINGO III (BCM_, BCA_)	09/14 #
Z.E: (60 kW)	
ZOE (BFM_)	06/12 #
ZOE (43 kW)	
Electric (57 kW)	
SEAT	
ARONA (KJ7, KJP)	07/17 #
1.0 TSI (81 kW)	
SKODA	
ENYAQ iV SUV (5AZ)	10/20 #
50 (109 kW)	
SKODA	
ENYAQ iV SUV (5AZ)	10/20 #
60 (132 kW)	
KAMIQ (NW4)	07/19 #
1.0 TGI CNG (66 kW)	
1.0 TSI (70/85 kW)	
SUZUKI	
IGNIS III (MF, FF)	10/16 #
1.2 Hybrid (61 kW)	
1.2 Hybrid AllGrip (61 kW)	
SWIFT V (AZ)	01/17 #
1.2 Hybrid (61 kW)	
TOYOTA	
AYGO (_B4_)	05/14 #
1.0 (51 kW)	
C-HR (_X1_)	10/16 #
1.8 Hybrid (72 kW)	
COROLLA Hatchback (_E21_, _EA1_, _EH1_)	10/18 #
1.8 Hybrid (72 kW)	
COROLLA Estate (_E21_)	02/19 #
1.8 Hybrid (72 kW)	
RAV 4 V (_A5_, _H5_)	12/18 #
2.5 Hybrid (160 kW)	
2.5 Hybrid AWD (131 kW)	
VAUXHALL	
VIVA (C16)	01/15 # 03/19
1.0 (55 kW)	
VW	
ID.3 (E11)	11/19 #
1st (70 kW)	
Pro (107/150 kW)	
Pro S (150 kW)	
Pure (110/93 kW)	
ID.4 (E21)	05/20 #
Performance (70 kW)	
Pure Performance (125 kW)	
GTX (77/220 kW)	
Pure (109 kW)	
PRO (195 kW)	
Pro (128 kW)	

SILVER *dynamic* AGM - 550 901 054 J38 2

VW

ID.5 (E39)

07/21 #

Pro (128 kW)

Pro Performance (150 kW)

GTX (220 kW)

**UP! (121, 122, BL1, BL2, BL3,
123)**

08/11 #

1.0 (48 kW)