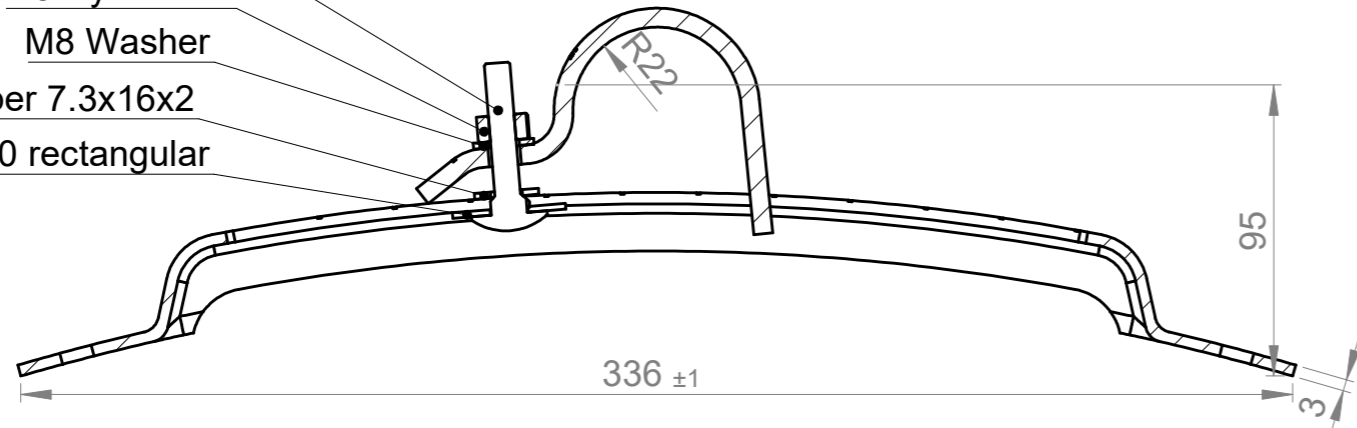
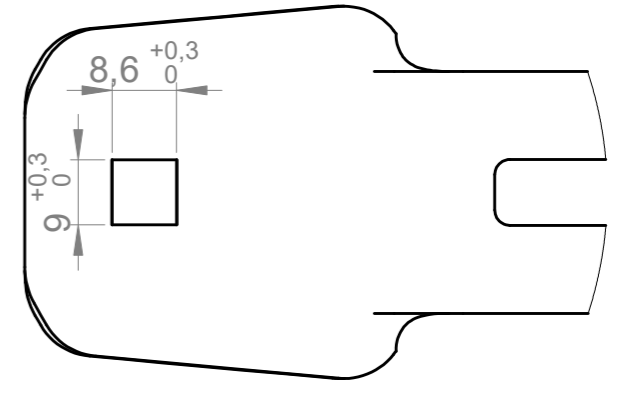
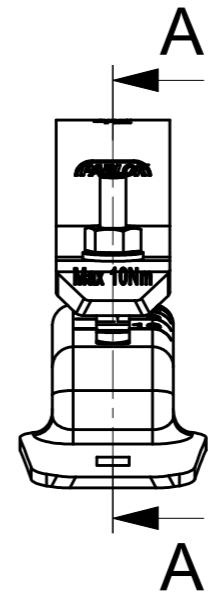


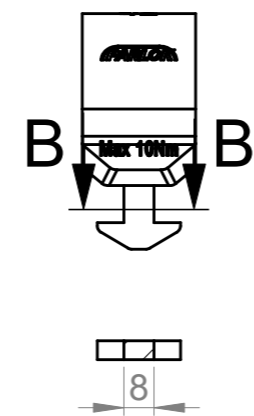
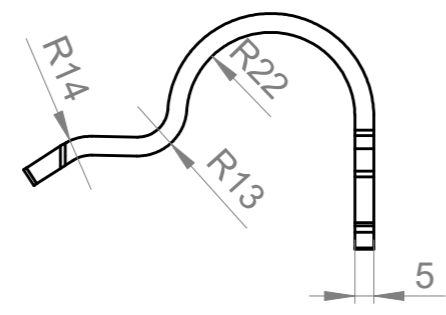
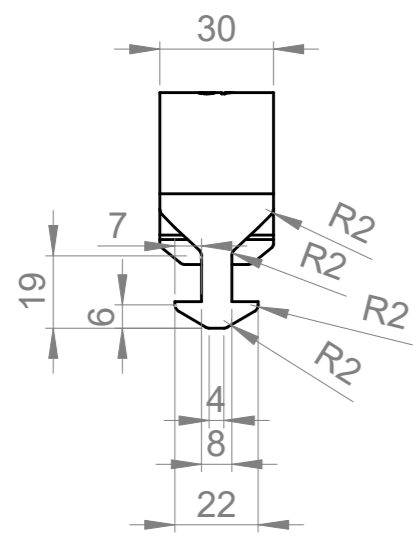
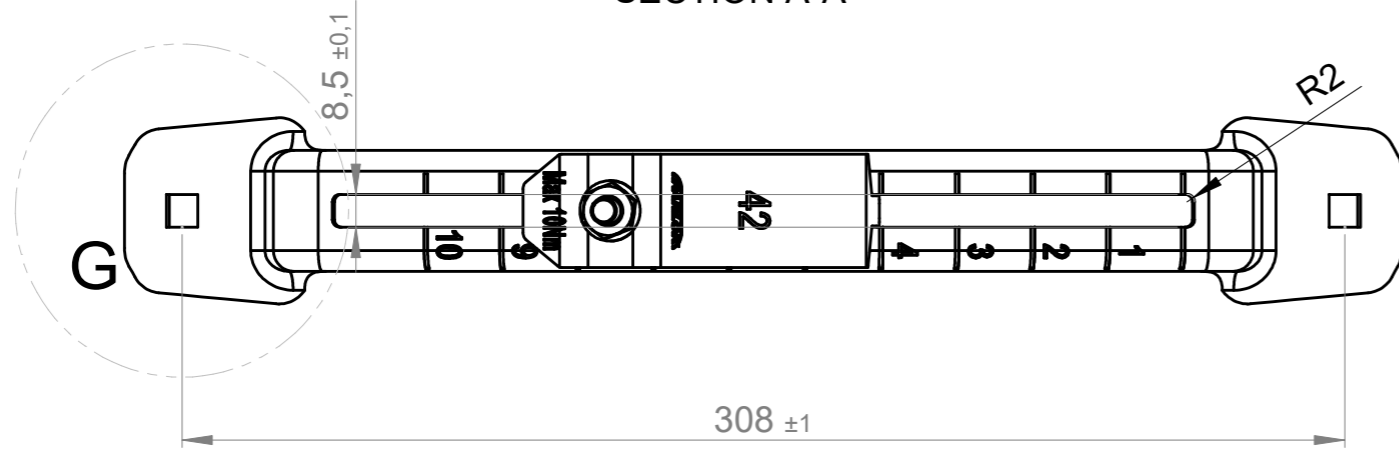
- M8x40 Lock bolt
- M8 Nylock nut
- M8 Washer
- Washer rubber 7.3x16x2
- Washer 30x30 rectangular



SECTION A-A



DETAIL G
SCALE 1 : 1



SECTION B-B



Description	Rev	Designed By	Revision Date
Description	Rev	Designed By	Revision Date
Description	Rev	Designed By	Revision Date
Description	Rev	Designed By	Revision Date

General tolerances SFS-EN 22768-mk	Mass	Finish Electro-Galvanized min 25 µm	Color
	Scale A3 1:2	Material S235	Approved by Date
		Description Bracket VRX 42 Zn Kannake VRX 42 Zn	Designed By V.Mustajoki Date 14.07.2023
		Drawing number 103045	1