

# Nice

CE

M3BAR

M5BAR

M7BAR

L9BAR



## Automatic barrier

**EN** - Instructions and warnings for installation and use

**IT** - Istruzioni ed avvertenze per l'installazione e l'uso

**FR** - Instructions et avertissements pour l'installation et l'utilisation

**ES** - Instrucciones y advertencias para la instalación y el uso

**DE** - Installierungs-und Gebrauchsanleitungen und Hinweise

**PL** - Instrukcje i ostrzeżenia do instalacji i użytkowania

**NL** - Aanwijzingen en aanbevelingen voor installatie en gebruik

**Nice**



# Contents

<b>1 - GENERAL WARNINGS: SAFETY - INSTALLATION - USE</b> .....	1
<b>2 - PRODUCT DESCRIPTION AND INTENDED USE</b> .....	3
<b>3 - INSTALLATION</b> .....	3
<b>3.1</b> - Preliminary checks for installation .....	3
<b>3.2</b> - Product application limit .....	3
<b>3.2.1</b> - Product durability .....	3
<b>3.3</b> - Preliminary work prior to installation .....	4
<b>3.3.1</b> - Identify the scheme on the basis of which to position each plant component .....	4
<b>3.3.2</b> - Determine the path of the connecting cables .....	4
<b>3.3.3</b> - a) - Position the balancing spring in relation to pole weight, complete with the required accessories. b) - Set the direction for closing the pole: to the right or to the left of the motor .....	4
<b>3.4</b> - Barrier lift fixture .....	4
<b>3.4.1</b> - If the support surface already exists .....	4
<b>3.4.2</b> - If the support surface does not exist .....	4
<b>3.5</b> - Installing the rod and the accessories provided .....	5
<b>3.5.1</b> - Pole support assembly .....	5
<b>3.5.2</b> - Assembling a pole formed of a single piece, whole or cut .....	5
<b>3.5.3</b> - Assembling a pole formed of two pieces, either whole or cut .....	6
<b>3.5.4</b> - Installation of required pole accessories .....	6
<b>3.6</b> - Manually releasing and locking the barrier .....	6
<b>3.6.1</b> - How to move the locking cylinder for manual release and lock .....	6
<b>3.7</b> - Limit switch mechanical stop adjustment .....	6
<b>3.8</b> - Pole balancing .....	6
<b>3.8.1</b> - M3BAR / M5BAR / M7BAR Pole balancing .....	6
<b>3.8.2</b> - L9BAR Pole balancing .....	6
<b>4 - ELECTRICAL CONNECTIONS</b> .....	6
<b>4.1</b> - Description of the electrical connections .....	6
<b>4.2</b> - Initial start-up and electrical connections .....	7
<b>4.3</b> - Pre-set functions .....	7
<b>4.4</b> - Recognition of the connected devices .....	7
<b>4.5</b> - Recognition of limit positions on opening and closing .....	7
<b>4.6</b> - Pole movement check .....	7
<b>4.7</b> - Connecting a radio receiver .....	8
<b>4.8</b> - Connecting the pole lights (optional accessory) .....	8
<b>4.9</b> - Connecting the led flashing light mod. XBA7 or traffic light to led mod. XBA8 (optional accessories) .....	8
<b>4.10</b> - Connection of other devices .....	8
<b>4.10.1</b> - Programming unit Overview .....	8
<b>4.10.2</b> - Buffer battery mod. PS224 (accessory) .....	8
<b>4.10.3</b> - Solemyo System (photovoltaic supply) .....	8
<b>5 - TESTING AND COMMISSIONING</b> .....	9
<b>5.1</b> - Testing .....	9
<b>5.2</b> - Commissioning .....	9
<b>6 - CONTROL UNIT PROGRAMMING</b> .....	10
<b>6.1</b> - Level one programming (ON-OFF functions) .....	10
<b>6.2</b> - Level two programming (adjustable parameters) .....	10
<b>7 - FURTHER INFORMATION</b> .....	12
<b>7.1</b> - Total deletion of control unit memory .....	12
<b>7.2</b> - Other functions .....	12
<b>7.3</b> - Adding or removing devices .....	13
<b>7.3.1</b> - Bluebus Inlet .....	13
<b>7.3.2</b> - Photocells .....	13
<b>7.3.3</b> - MOTB digital selector and proximity reader for MOMB transponder cards .....	13
<b>7.3.4</b> - STOP Input .....	13
<b>7.4</b> - Diagnostics .....	14
<b>7.4.1</b> - Signals of control unit .....	14
<b>7.4.2</b> - Flashing light signals .....	16
<b>7.5</b> - Loop Detector .....	16
<b>7.5.1</b> - Operation .....	16
<b>7.5.2</b> - Installation .....	16
<b>7.6</b> - Master - Slave mode .....	18
<b>7.6.1</b> - Installation and electrical connections .....	18
<b>8 - WHAT TO DO IF... (troubleshooting guide)</b> .....	19
• <b>Product disposal</b> .....	19
• <b>Technical characteristics of the product</b> .....	20
• <b>Declaration of Conformity: appendix I</b> (removable appendix) .....	21
• <b>Operation manual</b> (removable appendix) .....	23
• <b>Maintenance schedule</b> (removable appendix) .....	25
<b>PICTURES</b> .....	I - XIX

The following warnings are taken directly from the Regulations and apply, as far as possible, to the product described herein.

## 1 GENERAL WARNINGS: SAFETY - INSTALLATION - USE

### 1.1 - Safety instructions

**CAUTION** Important safety instructions. Follow all instructions as improper installation may cause serious damage

**CAUTION** Important safety instructions. It is important for you to comply with these instructions for your own and other people's safety. Keep these instructions

- Before commencing the installation, check the "Product technical specifications", in particular whether this product is suitable for automating your guided part. If it is not suitable, DO NOT continue with the installation.
- The product cannot be used before it has been commissioned as specified in the chapter on "Testing and commissioning"

**CAUTION** According to the most recent European legislation, the implementation of an automation system must comply with the harmonised standards provided by the Machinery Directive in force, which enables declaration of the presumed conformity of the automation. Taking this into account, all operations regarding connection to the electricity grid, as well as product testing, commissioning and maintenance, must be performed exclusively by a qualified and skilled technician!

- Before proceeding with the installation of the product, check that all materials are in good working order and suited to the intended applications
- The product is not intended for use by persons (including children) with reduced physical, sensory or mental capacities, nor by anyone with insufficient experience or familiarity.
- Children must not play with the appliance
- Do not allow children to play with the fixed control devices of the product. Keep the remote controls out of reach of children.

**CAUTION** In order to avoid any danger from inadvertent resetting of the thermal cut-off device, this appliance must not be powered through an external switching device, such as a timer, or connected to a supply that is regularly powered or switched off by the circuit

- Provide a disconnection device (not supplied) in the plant's mains power supply, with a contact opening distance that permits complete disconnection under the conditions dictated by overvoltage category III
- Handle the product with care during installation, taking care to avoid crushing, denting or dropping it, or allowing contact with liquids of any kind. Keep the product away from sources of heat and naked flames. Failure to observe the above can damage the product, and increase the risk of danger or malfunction. If this should happen, stop installation immediately and contact Customer Service
- The manufacturer assumes no liability for damage to property, items or persons resulting from non-compliance with the assembly instructions. In such cases the warranty for material defects is excluded
- The weighted sound pressure level of the emission A is lower than 70 dB(A)
- Cleaning and maintenance to be carried out by the user must not be carried out by unsupervised children
- Before working on the system (maintenance, cleaning), always disconnect the product from the mains power supply
- Check the system periodically, in particular all cables, springs and supports to detect possible imbalances, signs of wear or damage. Do not use, if repairs or adjustments are necessary, since installation failure or an incorrectly balanced automation may cause injury
- The packing materials of the product must be disposed of in compliance with local regulations
- When operating a biased-off switch, make sure that other persons are kept away from the automation.
- When performing an operation, keep an eye on the automated mechanism and keep all bystanders at a safe distance until the movement has been completed
- Do not operate the automation if anyone is working on it; disconnect its power supply before permitting such work to be done
- If the power cable is damaged, it must be replaced by the manufacturer or the latter's technical assistance service, or by a similarly qualified person, in order to prevent any type of risk

### 1.2 - Installation warnings

- Prior to installing the drive motor, check that all mechanical components are in good working order and properly balanced, and that the automation moves correctly
- Make sure that the controls are at a safe distance from the moving parts, while allowing a good view of them. Unless a switch is used, the controls should be installed at least 1.5m off the ground and should not be accessible
- If the opening movement is controlled by a fire system, make sure that any windows larger than 200 mm are closed by the controls
- Make sure that nothing can be trapped between the moving and fixed parts during manoeuvres
- Permanently affix the manual operation label next to the manual control
- After installing the drive motor, make sure that the mechanism, protective system and all manual manoeuvres operate properly

### 1.3 - Special warnings related to European Directives applicable to the product

#### • “Construction Products” Directive:

Special warnings for this product in relation to the Construction Products Regulation No. 305/2011:

- The full installation of this product, as described in this instruction manual and for certain types of use (e.g. excluding use solely for vehicles), may cause the product to fall within the scope of Regulation No. 305/2011 and its harmonised standard EN 13241-1.

- In paragraph 1.3.1 “Installation criteria and special warnings in relation to essential requirements”, all necessary installation criteria are given to ensure that the product meets the essential requirements of Regulation No. 305/2011; the installer must verify and ensure that all these criteria have been scrupulously complied with.

- The essential requirements might not be guaranteed if the road barrier mechanism is installed and used without compliance with one or more of these criteria. **It is forbidden to use the product in these situations until the installer has verified the compliance with the Directive requirements;** in this case the label attached to the product must be removed immediately and the “EC Declaration of Conformity” (Annex I to this manual) cannot be used. As a result, the installer in turn becomes the manufacturer of the “automatic barrier” product and must comply with the provisions of Regulation No. 305/2011 and its harmonised standard EN 13241-1. In this case the road barrier mechanism must be considered as “partly-completed machinery” and the “Declaration of Conformity” of Annex II can be used (for inclusion in the technical documentation).

#### • “Machinery” Directive:

- In paragraph 1.3.1 “Installation criteria and special warnings in relation to essential requirements”, all necessary installation criteria are given to ensure that the product meets the essential requirements of the Machinery Directive. The installer must verify and ensure that all these criteria have been scrupulously complied with.

- The essential requirements might not be guaranteed if the road barrier mechanism is installed and used without compliance with one or more of these criteria. **It is forbidden to use the product in these situations until the installer has verified the compliance with the Directive requirements;** in this case the “EC Declaration of Conformity: Annex I” cannot be used. As a result, the installer in turn becomes the manufacturer of the “automatic barrier” product and must comply with the provisions of the Machinery Directive. The manufacturer must make an assessment of the associated risks, including a list of the essential safety requirements as envisaged in “Appendix I of the Machinery Directive”, specifying the related adopted solutions. Note that the risk assessment is one of the documents included in the automation Technical documentation. This must be completed by a professional installer, and the “Declaration of conformity” of Annex II can be used and must be filled in by the installer of the road barrier mechanism.

#### Special warnings regarding the use of this product in relation to the “Machinery” Directive; these are to be taken into consideration if the installer becomes the manufacturer of the product.

• The road barrier mechanism comes onto the market as “partly-completed machinery” and is therefore manufactured to be integrated into a machine or assembled with other machines in order to create “a machine” pursuant to Machinery Directive, only in combination with other components and in the manner described in this instruction manual. As specified in the Machinery Directive, the use of this product is not admitted until the manufacturer of the machine on which this product is mounted has identified and declared it as conforming to the Machinery Directive.

#### • “Low Voltage” Directive:

Special warnings regarding the fitness of use of this product in relation to the “Low Voltage” Directive.

This product meets the provisions in the “Low Voltage” Directive if used for the use and in the configurations specified in this instruction manual and in combination with the items in the Nice S.p.A. product catalogue.

If the product is used in unspecified configurations or with other unspecified products, the requirements may not be guaranteed; the use of the product in these situations is prohibited until the installer has verified compliance with the specified requirements of the directive.

#### • “Electromagnetic compatibility” Directive:

Special warnings regarding the fitness of use of this product in relation to the “Electromagnetic compatibility” Directive.

This product has been subjected to electromagnetic compatibility tests in the most critical situations of use and in the configurations specified in this instruction manual and in combination with the items in the Nice S.p.A. product catalogue.

If the product is used in unspecified configurations or with other unspecified products, the electromagnetic compatibility may not be guaranteed; the use of the product is prohibited in these situations until the installer has verified compliance with the specified requirements of the directive.

#### 1.3.1 - Installation criteria and special warnings in connection with essential requirements

When installed correctly, this product meets the essential requirements laid down in Regulation No. 305-2011 according to the requirements in harmonised standard EN 13241-1, as indicated in **Table 1** and in the European directive on “Machinery”.

**Caution!** – If the road barrier mechanism were intended solely for the transit of vehicles, it would be excluded from the scope of EN 13241-1; in this case, compliance with some of the requirements in Table A may not be required. Transit may be considered “solely for vehicles” when other types of transit (e.g. for pedestrians) are expressly prohibited – for example with appropriate signs – and when adequate space is provided in the immediate vicinity if other types of transit are required.

#### • Releasing of hazardous substances:

The product does not contain and/or release hazardous substances in accordance with the requirements of EN 13241-1 and according to the list of substances on the website of the European Community

**Special warning to ensure the continued compliance with the requirement** – It is essential that the other materials used in the installation, such as electrical cables, comply with this requirement

#### • Resistance to wind load

**Table 1a** shows the resistance of the boom to the differential pressure of the wind. The tests were performed on the barrier equipped with an impact protection profile; other accessories could increase its exposed surface area and thereby reduce its resistance to wind loads.

#### • Safe opening for vertically moving doors

The product does not cause uncontrolled movements or allow the boom to drop in the event of failure of a single component of the suspension or balancing (springs) system.

#### Special warnings to ensure continued compliance of the requirements:

- Install the product carefully following all the instructions described in Section 3 - Installation and Section 5 - Testing and commissioning.

- Make sure there is an organised maintenance schedule that follows scrupu-

**TABLE 1 - Essential requirements for CE marking (according to prospect ZA.1 of standard EN 13241-1)**

Essential requirements	Point of standard	Result
Resistance to water	4.4.2	NPD*
Release of hazardous substances	4.2.9	Compliant
Resistance to wind load	4.4.3	Compliant
Heat resistance	4.4.5	NPD*
Permeability to air	4.4.6	NPD*
Safe opening for vertically moving doors	4.2.8	Compliant
Definition of the geometry of glass components	4.2.5	NPD*
Mechanical strength and stability	4.2.3	Compliant
Manoeuvring forces for power-operated doors/gates	4.3.3	Compliant
Durability of resistance to water, heat resistance and permeability to air	4.4.7	NPD*

\* NPD = No Performance declared, when the product does not offer this performance, for example “Permeability to air”, or when the requirement is not applicable, such as “Definition of the geometry of glass components”.

**TABLE 1a**

Barrier:	M3BAR	M5BAR	M7BAR	L9BAR
<b>Class</b>	4	4	2	2*
<b>Wind load [Pa]</b>	≥ 1000	≥ 1000	≥ 450	≥ 450
<b>Maximum wind speed [Km/h]</b>	155	155	104	104
<b>Descriptive term</b>	Hurricane	Hurricane	Violent storm / Squall	Violent storm / Squall

\* Class 2 is achieved using accessory model WA11

lously the provisions in the “Maintenance Schedule” Section (removable insert at the end of the manual).

• **Mechanical resistance and stability**

The product is designed and manufactured so that the forces, impacts and stress incurred during normal use do not cause any damage or jeopardise its mechanical performance.

**Warning:** See notes to the requirement “Safe opening for vertically moving doors”.

• **Operating forces for power-operated closures**

The operating forces exerted by the boom with regard to the risks of crushing and impact are safeguarded against by means of one of these three methods:

**1 For operation with “hold-to-run command” (man present):** as specified in EN 12453. In this case the command button must be placed in view of the automation and if it is accessible to the public, the command button must not be available to them, e.g. use only with a key switch.

**2 For “Semi-automatic” operation:** by limiting the forces as specified in EN 12453.

**3 For “automatic” operation:** by limiting the forces as specified in EN 12453; in this case, at least one pair of photocells must necessarily be installed as shown in Fig. 1.

**Special warning to ensure continued compliance with the requirement:** see notes to the requirement “Safe opening for vertically moving doors”.

## 2 PRODUCT DESCRIPTION AND INTENDED USE

MBAR and L9BAR are electromechanical road barriers for residential and industrial use; they control the opening and closing of a road transit point with widths from 3 to 8 metres.

		INSTALLABLE ACCESSORIES				
		Pole	Rubber	Lights	Rack	Mobile support
CABINET	M3BAR	3 m	yes	yes	—	—
	M5BAR	4 m	yes	yes	yes (1 piece)	yes
		5 m	yes	yes	—	—
	M7BAR	5 m	yes	yes	yes (2 pieces)	yes
		3+3 m	yes	yes	yes (2 pieces)	yes
	L9BAR	3+4 m	yes	yes	—	—
		3+4 m	yes	yes	yes (3 pieces)	yes
		4+4 m	yes	yes	yes (3 pieces)	yes
		4+5 m	yes	yes	—	—

**IMPORTANT! – All uses other than the intended use described and use in environmental conditions other than those described in this manual should be considered improper and forbidden!**

These barriers are fitted with an electromechanical gearmotor with a 24 V motor, with incorporated Loop Detector for 2 magnetic loops, with electric limit switch system and a flashing light signal which can be incorporated in the lid (optional accessory). These two models may be installed as counterposed barriers in “Master-Slave” mode to cover a surface of a road transit point exceeding 8 metres (see paragraph 7.5).

The control unit is set up for connection to devices belonging to the Nice Opera system and to the “Solemyo” solar power system (see paragraph 4.10.3).

The barriers run on electric energy and in the event of a power failure the pole can be released and moved manually. Alternatively the buffer battery model PS224 can be used (optional accessory - see paragraph 4.10.2), which guarantees a number of automation manoeuvres in the first few hours of power failure. Should you desire to prolong this period or extend the number of manoeuvres, the Stand by function should be enabled (see table 6).

Important points on consulting the manual

- In this manual, the words “road barrier” refer to the two products “MBAR” and “L9BAR”.
- The accessories mentioned in the manual are optional.

**Available accessory list:**

- XBA4 - M3BAR and M5BAR pole lights
- XBA5 - Aluminium pole painted white, L. 5150 mm
- XBA6 - M7BAR pole lights
- XBA7 - Led flashing lights that can be installed inside the lid
- XBA8 - Led traffic lights that can be installed inside the lid
- XBA9 - Universal joint
- XBA10 - pivottante connection
- XBA11 - Pivot for pole
- WA11 - Adjustable pole support (compulsory for L9BAR)
- WA12 - Mobile support
- WA13 - Rack, L. 2000 mm

- XBA13 - Impact protection rubber kit
- XBA14 - Aluminium pole painted white, L. 4150 mm
- XBA15 - Aluminium pole painted white, L. 3150 mm
- XBA16 - MBAR foundation plate
- XBA17 - L9BAR foundation plate
- XBA18 - L9BAR pole lights

## 3 INSTALLATION

### 3.1 - Preliminary checks for installation

Before proceeding with installation, check the condition of the product components, suitability of the selected model and conditions of the intended installation environment.

- Ensure that all material used is in perfect condition and suitable for use.
- Ensure that all product application limits can be observed (see paragraph 3.2).
- Ensure that the selected installation environment is compatible with the overall dimensions of the product (fig. 2).
- Ensure that the selected surfaces for barrier installation are solid and guarantee a stable fixture.
- Make sure that the fixing zone is not subject to flooding. If necessary, mount the barrier raised from the ground.
- Ensure that the space around the barrier enables easy and safe completion of manual manoeuvres.
- Ensure that there are no obstacles along the pole trajectory which prevent the opening and closing manoeuvres.
- Ensure that each device to be installed is in a sheltered location and protected against the risk of accidental impact.

### 3.2 - Product application limit

Before installing the product, ensure that all values specified in the chapter “Technical product specifications” are compatible with the intended use.

- Ensure that the estimated durability (see paragraph 3.2.1) is compatible with the intended use.
- Ensure that all limits, conditions and warnings in this manual can be observed.

#### 3.2.1 - Product durability

The lifetime is the average economic duration of the product. The value of lifetime is strongly influenced by the intensity of the manoeuvres, i.e. the sum of all factors that contribute to product wear (see Table 2).

To estimate the lifetime of your automation, proceed as follows:

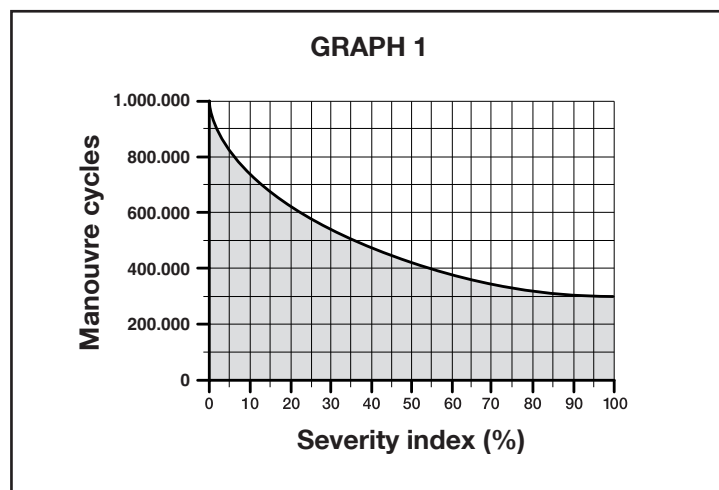
01. Add the values of the items in Table 2 regarding the system conditions;
02. In Graph 1 from the value obtained above, trace vertical line until it intersects the curve; from this point trace a horizontal line until it intersects the line of the “manoeuvre cycles”. The obtained value is the estimated lifetime of your product.

The lifetime values specified in the graph are only obtainable if the maintenance schedule is strictly observed (see chapter “Maintenance schedule”). The estimation of lifetime is made on the basis of design calculations and the results of tests performed on prototypes. As it is only an estimation, it does not represent any form of guarantee on the effective lifetime of the product.

**Example of calculating the durability of the road barrier (refer to Table 2 and Graph 1):** M5BAR with mobile support (severity index of 10%) - Speed level 3 (severity index of 10%) - Braking (severity index of 10%):

**Total severity index = 30%**

**The estimated durability is approx. 550,000 manoeuvre cycles.**



	Severity Index			
	M3BAR	M5BAR	M7BAR	L9BAR
Pivot for pole (XBA11)	20	15	—	—
Speed level 3	15	10	15	15
Speed level 2	0	0	10	10
Interruption of manoeuvre via Foto > 10%	15	10	15	15
Interruption of manoeuvre via Alt > 10%	10	10	15	15
Mobile support (WA12)	—	10	10	10
Braking	10	10	10	10
Force equal to 7 or 8	10	10	10	10
Force equal to 5 or 6	5	5	5	5
Presence of saline mist	10	10	10	10
Presence of dust or sand	5	5	5	5
Rack	—	5	5	5
Room temperature higher than 40° and lower than 0° C	5	5	5	5

### 3.3 - Preliminary work prior to installation

#### 3.3.1 - Identify the scheme on the basis of which to position each plant component

With reference to the standard layout shown in **fig. 1**, locate the approximate position of each component in the system. The diagram shows all components in the product package (**fig. 3**): [a] road barrier with built-in control unit; [b] pole cover and support; [c] no. 2 photocell boxes; [d] aluminium connector 300 mm. long; [e] fixed pole cap; no. 2 connections for protection rubber; no. 2 connections without protection rubber; [f] keys for manually locking and unlocking the pole; keys for locking the cover; minor metal parts (screws, washers, etc.); [g] foundation plate; [h] no. 4 fixing bolts; [i] aluminium connector 700 mm. long.

#### 3.3.2 - Determine the path of the connecting cables

**CAUTION!**— Position the ends of the ducting used for electrical cables in the vicinity of the points at which various components will be connected. **Note:** The ducting serves to protect electric cables and prevent accidental damage, such as in the case of impact. Prepare the electrical cables needed for your system, referring to **fig. 1** and “**Table 3** - Technical characteristics of electrical cables”.

#### 3.3.3 - a) - Position the balancing spring in relation to pole weight, complete with the required accessories. b) - Set the direction for closing the pole: to the right or to the left of the motor.

The barrier leaves the factory with the following settings:  
– balancing spring anchored in **holes which are not final**.  
– pole closing manoeuvre **to the left**.

These settings are arbitrary; you must therefore perform the following checks to determine whether they should be changed or not (that is, whether or not you need to move the spring connection on the balancing lever and on the plate at the foot of the barrier to another hole).

- If you plan to install only one accessory, identify in **box “A”** of **Table 4** your barrier model, the planned pole length and, finally, the accessory you intend to assemble on the pole; then read the corresponding letter and number of the holes in which to hook the spring;
- If you plan to install multiple accessories, identify in **box “B”** of **Table 4** your barrier model, pole length and, finally, the type and number of accessories you wish to assemble on the pole; then add up the numbers between brackets for the applicable accessories. Finally, use the result of the sum to read the letter

and number identifying the holes to which to hook the spring in the lower part of box “B”.

- If you must close the pole to the right of the motor, it will be necessary to move the spring connection to one of the holes on the other arm of the balancing lever.

Proceed as follows to hook the spring in a different hole from the factory settings:

01. Remove the upper barrier cover (**fig. 4**).
02. Loosen the 2 screws fixing the cabinet door (**fig. 5**).
03. – (M3BAR - M5BAR - M7BAR) Turn the nut shown in **fig. 6** (step a) anti-clockwise and then manually turn the spring clockwise to slacken its tension (**fig. 6** - step b).  
– (L9BAR) Turn the nut shown in **fig. 7** (step a) clockwise to slacken the tension of the balancing spring.
04. Slacken the bolt anchoring the spring to the balancing lever (M3BAR - M5BAR - M7BAR: **fig. 6** - step c; L9BAR: **fig. 7** - step b).
05. – (M3BAR - M5BAR) Slacken the bolt anchoring the spring to the perforated plate positioned at the foot of the barrier (**fig. 6** - step d).  
– (M3BAR - M5BAR) Slacken the bolt anchoring the spring to the perforated plate positioned at the foot of the barrier (**fig. 7** - step c).
06. If you wish to set the pole to close on the right of the barrier, slacken the gearmotor (**fig. 8** - also refer to point 3.6) and turn the balancing lever 90° (**fig. 9**).
07. Use **Table 4** to identify the new holes to which to hook up the two ends of the spring.
08. – (M3BAR - M5BAR) Hook the spring plate to the perforated plate at the foot of the barrier (**fig. 10** - step a) then anchor the eye of the spring to the balancing lever, tightening the bolt all the way (**fig. 10** - step b)  
– (M7BAR - L9BAR) Anchor the upper eye of the spring to the balancing lever, tightening the bolt all the way (**fig. 11** - step a); anchor the lower eye of the spring to the perforated plate at the foot of the barrier, tightening the bolt all the way (**fig. 11** - step b).
09. If you slackened the gearmotor at point 06, tighten it again (**fig. 12**), referring to point 3.6.

**TABLE 3 - Technical specifications of electrical cables (Fig. 1)**

Connection	Cable type	Maximum admissible length
<b>A: mains power supply cable</b>	3 x 1,5 mm <sup>2</sup>	30 m ( <b>note 1</b> )
<b>B: BlueBus cable</b>	2 x 0,5 mm <sup>2</sup>	20 m ( <b>note 2</b> )
<b>C: key-operated selector switch cable</b>	2 cables 2 x 0,25 mm <sup>2</sup> ( <b>note 3</b> )	30 m
<b>Input cable Open</b>	2 x 0,25 mm <sup>2</sup>	30 m
<b>Input cable Close</b>	2 x 0,25 mm <sup>2</sup>	30 m
<b>Flashing light cable (note 4) with aerial</b>	2 x 0,5 mm <sup>2</sup> RG58 shielded type	30 m 15 m (less than 5 m recommended)
<b>Pole indicator cable Open (note 4)</b>	2 x 0,5 mm <sup>2</sup>	30 m
<b>Pole lights (note 4)</b>	–	–
<b>Loop Detector Cable</b>	1 x 1,5 mm <sup>2</sup> twisted ( <b>note 5</b> )	20 m twisted ( <b>note 5</b> )
<b>Master/Slave Cable</b>	3 x 0,5 mm <sup>2</sup>	20 m

**IMPORTANT!** – The cables used must be suited to the installation environment.

**Note 1** – If the power cable is longer than 30 m, a cable with a larger cross-section is required (3x2.5 mm<sup>2</sup>) and safety earthing is necessary in the vicinity of the automation.

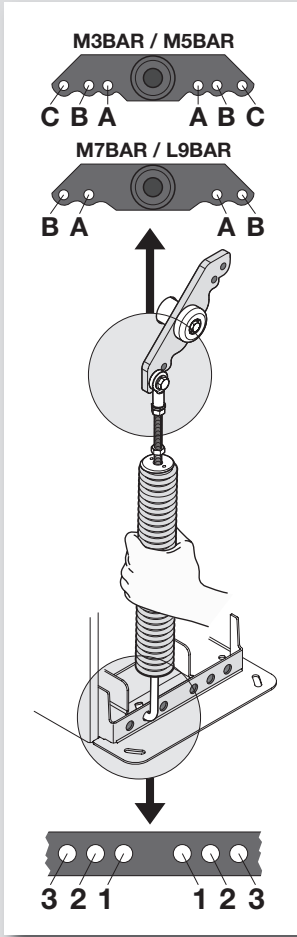
**Note 2** – If the BlueBus cable is longer than 20 m, up to a maximum of 40 m, a cable with a larger cross-section is required (2x1 mm<sup>2</sup>).

**Note 3** – These 2 cables may be replaced by a single cable 4x0.5 mm<sup>2</sup>.

**Note 4** – Before making the connection, check that the output is programmed for the device to be connected (see paragraph 6.2 - Table 8).

**Note 5** – Shorten the two ends coming out of the loop, with at least 20 turns per metre.

TABLE 4



A	M3BAR		M5BAR			M7BAR	L9BAR
	2,65 m XBA15 (3,15 m) - 0,50 m	3,15 m XBA15 (3,15 m)	3,50 m XBA14 (4,15 m) - 0,65 m	4,15 m XBA14 (4,15 m)	5,15 m XBA5 (5,15 m)	7,33 m XBA15 + XBA14	9,33 m XBA14 + XBA5
XBA13	A 1	A 3	B 2	B 3	C 2	B 2	B 1
XBA13	A 1	A 3	B 2	B 3	C 2	B 2	B 1
XBA11	B 3	B 3	C 1	C 3			

B	M5BAR		M7BAR		L9BAR		
	3,50 m XBA14 (4,15 m) - 0,65 m	4,15 m XBA14 (4,15 m)	5,15 m XBA5 (5,15 m)	5,00 m XBA15+XBA15 (6,30 m) - 1,30 m	6,33 m XBA15 + XBA15	7,33 m XBA15 + XBA14	8,33 m XBA14 + XBA14
XBA13	(0)	(0)	(0)	(0)	(0)	(0)	(0)
XBA13	(1)	(1)	(1)	(1)	(1)	(1)	(1)
WA13	(1)	(1)	(2)	(1)	(1)	(2)	(2)
WA12	(5)	(4)	(4)	(3)	(3)	(3)	(3)

1) - Add up the numbers in brackets in the column, choosing only those corresponding to the accessories installed.

2) - Use the sum of these numbers to identify the holes to which to anchor the spring.

0 ÷ 1 =	B 2	B 3	A 2	B 1	B 1	A 1	A 3
2 ÷ 7 =	B 3	C 1	A 2	B 2	B 2	A 2	B 1
5 ÷ 6 =		C 2	A 3			A 3	

3.4 - Barrier lift fixture

3.4.1 - If the support surface already exists

01. Open the cabinet of the barrier (fig. 13);
02. Place the barrier on the fixing surface and trace the points where the slots are to be fixed (fig. 14);
03. Move the barrier and drill the traced surface points; then insert 4 expansion bolts, not supplied (fig. 15);
04. Position the barrier correctly and secure by means of the relative nuts and washers not supplied (fig. 16).

3.4.2 - If the support surface does not exist

01. Dig the foundation pit (\*) to house the foundation plate;
02. Prepare ducting for connection cables (fig. 17);
03. On the foundation plate, fix the 4 bolts, placing a nut on the upper side of each and one on the lower side of the plate (fig. 17). **Caution** - The lower nut must be tightened down to the threaded section;
04. Now cast the concrete, and before it sets, embed the foundation plate, which must be positioned flush with the surface, parallel to the pole and perfectly level (fig. 17). Wait for the concrete to set completely; in general, at least 2 weeks;
05. Remove the 4 upper nuts of the bolts;
06. Open the cabinet of the barrier (fig. 18);
07. Position the barrier correctly and secure it by means of the relative nuts and washers supplied with the foundation plate and removed in point 04 (fig. 19).

(\*) Note - The fixing surface must be perfectly smooth and flat. If the surface is in concrete, it must be at least 0.15 m thick, and must be adequately reinforced with steel cages. The concrete volume must be greater than 0.2 m<sup>3</sup> (a thickness of 0.25 m corresponds to 0.8 m<sup>2</sup>; in other words equal to a square base of approx. 0.9 m per side). Anchoring to the concrete can be by means of 4

expansion bolts, fitted with 12 MA screws, which resist to a traction load of at least 400 kg. If the fixing surface is in another material, the consistency must be checked and ensure that the 4 anchoring points can resist a load of at least 1000 kg. For fixture, use 12 MA screws.

3.5 - Installing the rod and the accessories provided

3.5.1 - Pole support assembly

01. Insert the two plugs in the relative seats on the output motor shaft (fig. 20);
02. Position the support on the output motor shaft, placing it in the "vertical pole" position and tighten the relative screws and washers fully down to secure (fig. 21);
03. Position the pole cover and partially secure by means of the 6 screws supplied (fig. 22).

3.5.2 - Assembling a pole formed of a single piece, whole or cut.

Possible lengths:

- M3BAR:** 2,65 m = XBA15 (3,15 m - 0,50 m = 2,65 m)  
3,15 m = XBA15 (3,15 m)
- M5BAR:** 3,50 m = XBA14 (4,15 m - 0,65 m = 3,50 m)  
4,15 m = XBA14 (4,15 m)  
5,15 m = XBA5 (5,15 m)
- M7BAR:** 5,15 m = XBA5 (5,15 m)

01. Assemble the two pole insertions (fig. 23);
02. Insert, from the same end of the pole, the insertions just assembled. Use a rubber mallet (fig. 24);
03. Lightly grease the aluminium guide on both sides (fig. 25);
04. Perform this operation on both ends of the pole: insert the first part of impact protection rubber in the slot, through to the end of the pole; then insert the joint for the impact protection rubber (fig. 26) and repeat with all parts;

05. The impact protection rubber may protrude by about 1 cm from the end of the profile (fig. 27):

- A)** position the pole plug and lock it with the two screws (fig. 28);  
**B)** position and block the two rubber cover plugs (fig. 28);

06. Insert the pole assembly in the pole support shell, pushing it up to the end and then tighten the 6 previously inserted support screws fully down (fig. 29).

### 3.5.3 - Assembling a pole formed of two pieces, either whole or cut.

Possible lengths:

- M7BAR:** 5,00 m = XBA15 (3,15 m -1,30m = 1,85\*) + XBA15 (3,15 m)  
 6,33 m = XBA15 (3,15 m) + XBA15 (3,15 m)  
 7,33 m = XBA15 (3,15 m\*) + XBA14 (4,15 m)  
**L9BAR:** 7,33 m = XBA15 (3,15 m\*) + XBA14 (4,15 m)  
 8,33 m = XBA14 (4,15 m) + XBA14 (4,15 m)  
 9,33 m = XBA14 (4,15 m\*) + XBA5 (5,15 m)

**(\*) - CAUTION! – In rods made up of two pieces, it is obligatory to anchor the shorter piece to the aluminium support. Point 02 of the procedure must therefore be changed as follows:**

01. Mod. M3BAR - M5BAR - M7BAR: insert the aluminium coupling into one end of the shorter pole and lock it with the screw provided (fig. 23).
02. Model L9BAR: insert the aluminium coupling into one end of the shorter pole and lock it with the screw provided (fig. 24).
03. Insert the universal joint in the free ends of the two poles. Take care in correctly directing the joint since the heads of the screws must be on the same part of the holes on the poles (fig. 30);
04. Act to the same degree on the three screws of the joint by loosening them in a way to “expand” the joint inside the poles (fig. 31);
05. Lightly grease the aluminium guide on both sides (fig. 25);
06. Perform this operation on both ends of the pole: insert the first part of impact protection rubber in the slot, through to the end of the pole; then insert the joint for the impact protection rubber (fig. 26) and repeat with all parts;
07. The impact protection rubber may protrude by about 1 cm from the end of the profile (fig. 27):  
**A)** position the pole plug and lock it with the two screws (fig. 28);  
**B)** position and block the two rubber cover plugs (fig. 28);
08. Insert the pole assembly in the pole support shell, pushing it up to the end and then tighten the 6 previously inserted support screws fully down (fig. 29).

### 3.5.4 - Installation of required pole accessories

After installing the pole and the protection rubber, before proceeding any further it is important to install any other accessories that may be required on the pole. For instructions on installation of these accessories, refer to their instruction manuals.

### 3.6 - Manually releasing and locking the barrier

This operation is required in the event of a power failure or malfunction. To manually release or lock the barrier, insert the key provided and turn it 180° to the right or to the left (fig. 32).

**IMPORTANT! • The release and locking operations must be performed only when the pole is horizontal and stationary. • It is possible to carry out the manual release and lock on both sides of the barrier by moving the locking cylinder (see paragraph 3.6.1).**

#### 3.6.1 - How to move the locking cylinder for manual release and lock

01. Insert the key supplied and turn through 180° clockwise (fig. 33-a);
02. From inside the caisson, pull the U-shaped clip holding the lock cylinder in place (fig. 33-b) and pull off the cylinder on the outside of the caisson (fig. 33-c);
03. From the other side of the caisson, remove the plastic cap (fig. 34-a) and insert the lock cylinder into the hole provided (fig. 34-b);
04. Finally, from inside the caisson, insert the U-shaped clip for holding the locking cylinder in place from below (fig. 34-c).

### 3.7 - Limit switch mechanical stop adjustment

01. Manually release the gearmotor: see paragraph 3.6;
02. Manually move the pole through a complete Opening and Closing manoeuvre;
03. Then use the screws on the mechanical limit switch stops (fig. 35 and 36) to adjust the horizontal pole setting, when it is closed, and the vertical pole setting, when it is open.
04. Tighten the nuts well.

### 3.8 - Pole balancing

Balancing the pole serves to find the best balance between the total pole weight complete with the accessories installed and the force opposed to it by the tension of the balancing spring. Proceed as follows to check whether spring tension is appropriate to balance the weight of the pole and its accessories, if any.

#### 3.8.1 - M3BAR / M5BAR / M7BAR Pole balancing

01. Manually release the gearmotor: see paragraph 3.6;
02. Manually move the pole to mid-travel (45°) and leave stationary. If the pole tends to lift, reduce the tension of the spring by manually turning it clockwise (fig. 37-a). If, on the contrary, the pole tends to drop, increase spring tension by manually turning it clockwise (fig. 37-b). Note - the off-balance

value is only acceptable when the force required to move the pole\* when open, closed and in all the other positions, is lower than or equal to half of the nominal value (equal to about 1.5 kg for M3; 3.5 kg for M5 and 4.5 kg for M7, about 5 kg at 1 m). [(\*) force measured at right angles to the pole and at 1 m from the rotation axis].

03. Repeat point 02 positioning the pole also at approx. 20° and approx. 70°. If the pole remains still in position, this means that balancing is correct; a slight off balance is admissible, **but the pole must never move significantly.**
04. Lock the balancing spring in place with the nut (fig. 37-c);
05. Manually lock the gearmotor: see paragraph 3.6.

#### 3.8.2 - L9BAR Pole balancing

01. Manually release the gearmotor: see paragraph 3.6;
02. Manually move the pole to mid-travel (45°) and leave stationary. If the pole tends to lift, reduce the tension of the spring by manually turning the nut clockwise (fig. 38-a). If, on the contrary, the pole tends to drop, increase spring tension by turning the nut anti-clockwise (fig. 38-b). Note - the off-balance value is only acceptable when the force required to move the pole\* when open, closed and in all the other positions, is lower than or equal to half of the value of the nominal torque (for this product, about 6.5 kg at 1 m). [(\*) force measured at right angles to the pole and at 1 m from the rotation axis].
03. Manually lock the gearmotor: see paragraph 3.6.

## 4 ELECTRICAL CONNECTIONS

**CAUTION! – All electrical connections must be made with the unit disconnected from the mains power supply.**

01. Remove the cover by loosening the screws and turning the key clockwise (fig. 39);
02. Route the electric cables inside the barrier, starting from the base towards the control unit and routing them to the left. Instead, the cables of the Loop detectors and for the “Master-Slave” mode must be made by routing them to the right;
03. Route the power supply cable through the cable gland and connect them to the 3-contact terminal with fuse. Tighten the cable gland by tightening the screws (fig. 40);
04. Connect the other cables as shown in the wiring diagram in fig. 41. Note – To facilitate cable connections, the terminals can be removed from their seats.

### 4.1 - Description of the electrical connections

• **LIGHT** = this output is programmable (see Chapter 6, paragraph 6.2 - Level 2 programming - adjustable parameters) to connect one of the following devices:

– **Flashing light:** if programmed as “flashing light” on the “LIGHT” output, a NICE flashing light model “LUCY B, MLB or MLBT” with a 12 V 21 W car type lamp can be connected. During the manoeuvre it flashes at intervals of 0.5 s lit and 0.5 s off. Factory setting: configuration for operation as “Flashing light for pole lights” 24 V/10 W.

– **“pole open indicator” - “activated if the pole is closed” - “activated if pole is open” - “flashing light for pole lights” and “maintenance indicator”:** if programmed with one of these 5 functions on the “LIGHT” output, a 24 V indicator (max. 10 W) can be connected for the following signals:

#### “Pole open indicator” function

Pole closed: Off  
 Pole opening: slow flashing light  
 Pole closing: quick flash light  
 Pole open (not closed): on

#### “Active if pole closed” function

Pole closed: on  
 All other cases: Off

#### “Active if pole open” function

Pole open: on  
 All other cases: Off

#### Function “flashing light for pole lights”

The indicator light or pole lights indicate execution of the manoeuvre in progress by flashing constantly at regular intervals (0.5 sec on; 0.5 seconds off)

#### Function “Maintenance indicator”

- indicator lit on for 2 seconds at the start of the opening manoeuvre = number of manoeuvres less than 80%  
 - flashing light indicator during execution of the entire manoeuvre = number of manoeuvres between 80 and 100%  
 - indicator constantly flashing = number of manoeuvres greater than 100%.



– **Suction cup:** a 24V max 10W suction cup can be connected (versions with electromagnet only, without electronic devices). When the pole is closed, the suction cup is activated to lock the pole in place. During the opening and closing manoeuvre it is deactivated.

– **Electric block:** a 24 V max 10 W electric block with latch can be connected (versions with electromagnet only, without electronic devices). During the opening manoeuvre, the electric lock is activated and remains active to free the pole and perform the manoeuvre. In the closing manoeuvre ensure that the electric block re-engages mechanically.

– **Electric lock:** a 24 V max 10 W electric lock with latch can be connected (versions with electromagnet only, without electronic devices). At the start of the opening manoeuvre, the electric lock is activated for a short period to release the pole and complete the manoeuvre. In the closing manoeuvre ensure that the electric lock re-engages mechanically.

• **FLASH** = this output is programmable by using the Oview programmer. It is possible to connect the same devices of the LIGHT output. In the factory it is configured for operation with flashing light 12 V 21 W.

• **SCA** = this output is programmable by using the Oview programmer. It is possible to connect the same devices of the LIGHT output. In the factory it is configured for operation with Pole Open Indicator 24 V 10 W.

• **BLUEBUS** = this terminal enables the connection of compatible devices; all are connected in parallel with just two wires conveying the electric power and communication signals. For further details see Chapter 8.

• **STOP** = input for devices that block or shut down the manoeuvre in progress; by setting the input accordingly, it is possible to connect Normally Closed type contacts, Normally Open contacts, constant resistance or optical devices. For further details see chapter 8.

• **PP** = input for devices control movement in Step-Step mode, enabling the connection of Normally Open contacts.

• **OPEN** = input for devices which control only opening manoeuvre. NO contacts can be connected to this input.

• **CLOSE** = input for devices which control only closing manoeuvre. NO contacts can be connected to this input.

• **AERIAL** = input for connection of the aerial for the radio receiver (the aerial is incorporated on LUCY B, MBL, MLBT).

• **LED BOARD OUTPUT** = this output is programmable (see Chapter 6, paragraph 6.2 - Level 2 programming - adjustable parameters) and is used to connect the led flashing light board (XBA7) or the led traffic lights board (XBA8). With the factory setting, it performs the flashing light function, flashing at intervals of 0.5 s lit and 0.5 s off. In addition, diagnostic flashing is performed.

• **LOOP1** = Loop Detector input to connect a loop detector, for the detention of metal masses. The operating modes associated to this input may be modified with the Oview programmer (see paragraph 7.5 – Loop Detector). Factory setting: configuration for the opening manoeuvre

• **LOOP2** = Loop Detector input to connect a loop detector, for the detention of metal masses. The operating modes associated to this input may be modified with the Oview programmer (see paragraph 7.5 – Loop Detector). Factory setting: configuration for the opening manoeuvre.

• **MASTER-SLAVE** = connector for the connection of 2 barriers in Master-Slave mode (see paragraph 7.6 – Master-Slave).

**IMPORTANT! – NEVER CONNECT DEVICES OTHER THAN THOSE SPECIFIED.**

**4.2 - Initial start-up and electrical connections**

**CAUTION! – The final connection of the automation to the electrical mains must be made exclusively by a qualified skilled technician, in observance of current local standards.**

Connect the control unit to an electric power line equipped with an earthing system. Envisage a mains disconnect device, with a contact opening distance that ensures complete disconnection in the conditions of overvoltage category III, or envisage a plug and socket system.

After powering up the control unit, perform the following checks:

- Make sure that the “Bluebus” led flashes quickly for a few seconds and then regularly with a frequency of about one flash per second.
- If photocells are present, check that the leds on the latter also flash (both on TX and RX elements); the type of flash is not significant as this depends on other factors.
- Check that the device connected to the FLASH output or XBA7 led flashing light is off (with factory setting).

If the above conditions are not satisfied, switch off the power supply to the control unit and check the electrical connections previously made.

For more useful information see also chapter “8 Troubleshooting” (troubleshooting guide).

**4.3 - Pre-set functions**

The control unit is equipped with a series of programmable functions, which are factory set with the most commonly used values. These values can be modified at any time: See chapter 6.

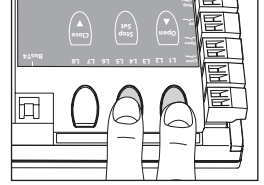
**4.4 - Recognition of the connected devices**

After the initial power-up, the control unit must be able to recognise the devices connected on the inputs “Bluebus” and “Stop”.

**CAUTION! – The learning phase must be performed even if no device is connected to the control unit.**

To indicate whether this operation is necessary, leds “L1” and “L2” on the control unit emit a number of flashes.

01. Press and hold down “Open” and “Set” keys at the same time;
02. Release the keys when LEDs L1 and L2 start flashing quickly (after approx. 3 seconds).
03. Wait a few seconds for the control unit to complete the device learning phase. At the end of this phase, the “Stop” led must be lit and leds “L1” and “L2” must turn off (leds “L3” and “L4” may start flashing to indicate that the positions have not been learnt).

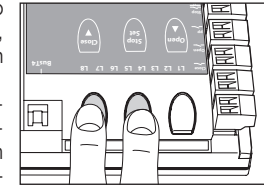


This procedure must be repeated in the case of modifications to the devices connected to the terminals BlueBus and Stop; for example, after connecting a new device to the control unit.

**4.5 - Recognition of limit positions on opening and closing**

After learning the connected devices, the control unit also has to learn the positions of the mechanical stops. In this phase, the pole travel distance is read, measured from the closing mechanical stop to the opening mechanical stop.

01. Manually release the gearmotor (see chapter 3.6) and manually position the pole at approx. 45° (mid-travel);
02. Lock the gear motor (see paragraph 3.6);
03. Press and hold down “Close” and “Set” keys at the same time;
04. Release the keys when the manoeuvre starts (after approx. 3 seconds);
05. Wait a few seconds for the control unit to complete the position learning phase: close, open and close of the pole, with intervals with a 3 second pause.



**Warnings!** • Do not interrupt the three manoeuvres: if they are interrupted, it will be necessary to repeat the entire procedure from point 01. • While performing the three manoeuvres, make sure that the pole balancing lever hits the mechanical stops on the limit switches. If this does not happen, stop the procedure, adjust the mechanical stops on the limit switch and repeat the procedure from point 01. • If leds “L3” and “L4” flash after completion of the three manoeuvres, an error has occurred. In this case, repeat the entire procedure starting from step 01.

**IMPORTANT! – The parameters concerning the deceleration positions and the braking intensity, are functions preset by the unit. In any case it is possible to modify them by directly acting on the unit, modifying the parameters “L5 Long/short deceleration” (see Table 6 - paragraph 6.1) and “L8 Braking” (see Table 6 - paragraph 6.2) or by using the Oview programmer.**

**4.6 - Pole movement check**

After learning about the devices, a number of Opening and Closing manoeuvres should be performed to ensure correct pole movement.

01. Press “Open” to activate an Opening manoeuvre; ensure that the pole starts to decelerate before reaching the opening position;
02. Press “Close” to activate a Closing manoeuvre; ensure that the pole starts to decelerate before reaching the closing position;
03. Make sure that the led flashing light, if present, flashes at regular intervals (0.5 sec on, 0.5 sec off) during a manoeuvre;
04. Run a number of Opening and Closing manoeuvres to ensure that there are no points of increased friction or malfunctions.

**CAUTION – If the manoeuvre starts from a position different from that of one of the mechanical stops (opening or closing), it is performed at low speed.**

## 4.7 - Connecting a radio receiver

The control unit is fitted with a SM type connector for connection of a radio receiver (optional accessory) model SMXI, SMXIS, OXI or OXIT and similar.

To insert the radio receiver, disconnect the control unit from the power mains and insert the receiver as shown in **fig. 42**.

**Table 5** shows the actions performed by the control unit according to the outputs activated or the commands sent from the radio receiver.

TABLE 5	
<b>SMXI, SMXIS, OIX, OXIT receiver in mode I or II</b>	
output	description
Output no. 1	Step by step
Output no. 2	Partial Open (opens to approx. 45%; value programmable with Oview, see paragraph 4.10.1)
Output no. 3	Open
Output no. 4	Close
<b>OXI receiver, OXIT programmed in "Extended Mode II"</b>	
Command	description
Command no. 1	Step by step
Command no. 2	Partial Open (opens to approx. 45%; value programmable with Oview, see paragraph 4.10.1)
Command no. 3	Open
Command no. 4	Close
Command no. 5	Stop
Command no. 6	Apartment block Step by Step
Command no. 7	Step-Step High priority (controls also if automation is blocked)
Command no. 8	Unblock + Open
Command no. 9	Unblock + Close
Command no. 10	Open and block automation
Command no. 11	Close and block automation
Command no. 12	Block automation
Command no. 13	Release automation
Command no. 14	Master door Step by Step
Command no. 15	Slave door Step by Step

## 4.8 - Connecting the pole lights (optional accessory)

01. Move the pole to the vertical position;
02. Unscrew the 6 screws that hold the pole cover (**fig. 43**);
03. Remove the pole temporarily;
04. Insert the grommet in the pre-drilled hole for cable routing (**fig. 44**);
05. Route the lights cable through the impact protection rubber profile, using a guide to facilitate attachment if necessary (**fig. 45**);
06. If necessary, shorten the length of the lights cable: cuts may only be made at the points bearing the relative mark. After cutting, the plug at the cut end must be moved to seal off the new end;
07. Insert the cable first through the hole on the pole support and then through the hole on the cabinet (**fig. 46**); **Caution** – Leave a little extra cable in the pole support, to enable pole rotation through 90° without tensioning the cable;
08. Connect the lights cable to the LIGHT terminal on the control unit: see diagram in **fig. 47**. **Note** – The LIGHT output features polarity: if the lights do not illuminate, as planned, it is necessary to invert the cables connected to the terminal.
09. Position and secure the connector in the slot on the pole (**fig. 48**);
10. Insert the pole and secure with its cover, tightening the 6 screws (**fig. 49**) fully down and taking care not to pinch the wiring cable.

## 4.9 - Connecting the led flashing light mod. XBA7 or traffic light to led mod. XBA8 (optional accessories)

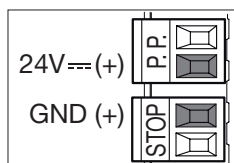
On the cover of the barrier a led flashing light mod. XBA7 or red and green led traffic light mod. XBA8 may be fitted. The operating modes of these flashing lights may be modified through the Oview programmer or with suitable programmes of the control unit. For further information, refer to the instruction manual for the two products.

## 4.10 - Connection of other devices

The built-in unit enables the power supply to the external devices (a radio receiver or the key-operated selector switch lighting) by receiving power from the control unit: for the type of electrical connection, refer to the figure at the side. The power supply voltage is 24 V  $\approx$ , -30%/+50%, with maximum available current 100 mA.

### 4.10.1 - Programming unit Oview

The use of the programming unit Oview enables complete and rapid manage-



ment of installation, maintenance and troubleshooting of any malfunctions of the whole automation system. Oview can be connected to the road barrier by means of the BusT4 connector on the control unit.

To access the BusT4 connector, open the cover of the road barrier and insert the connector in its seat (**fig. 50**).

In general, Oview can be positioned at a maximum distance of 100 m of cable from the control unit; it can be connected to multiple control units simultaneously (max. 16) and can also remain connected during normal operation of the automation; to exceed these limits, observe the warnings in the Oview instruction manual and the Oview System Book system manual. If a OXI type radio receiver is present in the control unit, Oview enables access to the parameters of the transmitters memorised in this receiver. For detailed information, refer to the instruction manual of the Oview programmer or the barrier function datasheet also available on the website [www.niceforyou.com](http://www.niceforyou.com).

### 4.10.2 - Buffer battery mod. PS224 (accessory)

In the event of a mains power failure, the road barrier can also be powered by a buffer battery model PS224. To install and connect the battery, proceed as follows:

**Important!** – The electric connection of the battery to the control unit must only be made after completing all installation and programming phases, as the battery constitutes an emergency power supply.

01. Position the buffer battery as shown in **fig. 51-a**;
02. **Disconnect the mains power** and then connect the relative cable of the buffer battery (**fig. 51**);
03. Connect the mains power.

### 4.10.3 - Solemyo System (photovoltaic supply)

The barrier is designed to be powered with the "Solemyo SYKCE" photovoltaic system. For connection to the control unit, use the 2 pole plug shown in **fig. 52**.

#### IMPORTANT!

- When the barrier is powered by the "Solemyo" system IT MUST NOT BE POWERED by the electricity grid at the same time.
- Due to the limited solar power available, depending on the installation location and time of year, the barrier can perform a maximum number of manoeuvres per day. Before installing the Solemyo system, check in the relative instruction manual whether the maximum number of possible manoeuvres is compatible with the intended use.
- The Solemyo system can only be used efficiently if the control unit is active and set with the Standby function set to "All" mode (only possible using the Oview programmer).

These are the most important phases of automation set-up for ensuring maximum system safety. The test can also be performed as a periodic check of automation devices. Testing and commissioning of the automation must be performed by skilled and qualified personnel, who are responsible for the tests required to verify the solutions adopted according to the risks present, and for ensuring observance of all legal provisions, standards and regulations, and in particular all requirements of the standard EN 12445, which establishes the test methods for checking automations for doors and barriers. All these operations must be performed under the direct supervision of the head installer, i.e. the person who enters his/her name and signature in box N°1 of the declaration of conformity (see appendix I).

The additional or optional devices must undergo a specific test for functionality and correct interaction with the barrier.

## 5.1 - Testing

The sequence of operations to be performed for testing refers to a standard system (**Fig. 1**) classed for "untrained users" and the automation activation set to "automatic control" which envisages, as a minimum protection level of the primary edge, device types C (force limitation - see standard EN 12445) combined with device types D (presence detectors, e.g. photocells). Bearing in mind that this type of use is among the most intensive, the same testing sequence can be effectively implemented in less intensive conditions.

- 1 Ensure that all specifications in this manual have been observed, with special reference to the chapter "1 Safety Instructions".
- 2 Check correct balancing of the pole, see paragraph 3.8.
- 3 Check correct operation of the manual release, see paragraph 3.6.
- 4 Using the transmitter or key-operated selector switch, perform tests of opening, closing and stopping the barrier, and ensure that pole movement corresponds to specifications. Test several times to check for pole movement and any defects in assembly or adjustment and any possible points of friction.
- 5 Check operation of all system safety devices one at a time (photocells, sensitive edges, etc.). Each time a device is activated the "Bluebus" led on the control unit must flash rapidly twice to confirm acknowledgement of the event.
- 6 Check correct operation of the photocells as follows: depending on whether one or two pairs of photocells have been installed, one or two parallelepipeds in rigid material are required (e.g. wooden panels) with the measurements 70 x 30 x 20 cm. Each parallelepiped must have three sides, one for each size, in reflective material (e.g. mirror or white gloss paint) and three sides in opaque material (e.g. black matt paint). To test the photocells positioned at 50 cm from the ground, the parallelepiped must be placed on the ground or raised at 50 cm in the case of photocells placed at 1 m from the ground.  
When testing one pair of photocells, the test specimen must be positioned exactly at the centre of the pole with the 20 cm sides facing the photocells and moved along the entire length of the pole (**Fig. A**).  
When testing two pairs of photocells, the test must first be performed individually for each pair of photocells, using one test specimen, and then repeated using two test specimens.  
Each test specimen must be positioned laterally with respect to the centre of the pole, at a distance of 15 cm sides and then moved along the entire length of the pole (**Fig. B**).

During these tests, the test specimen must be read by the photocells in any position along the entire length of the pole.

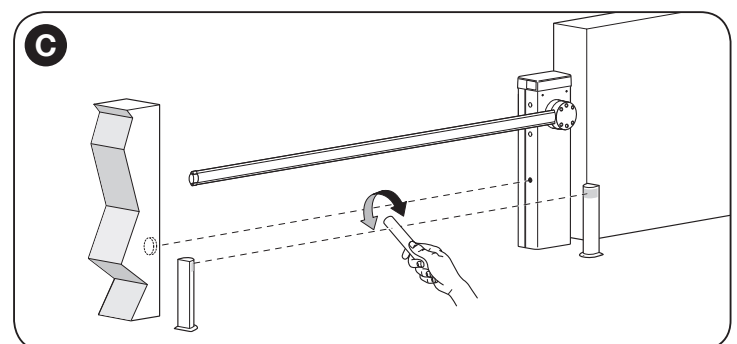
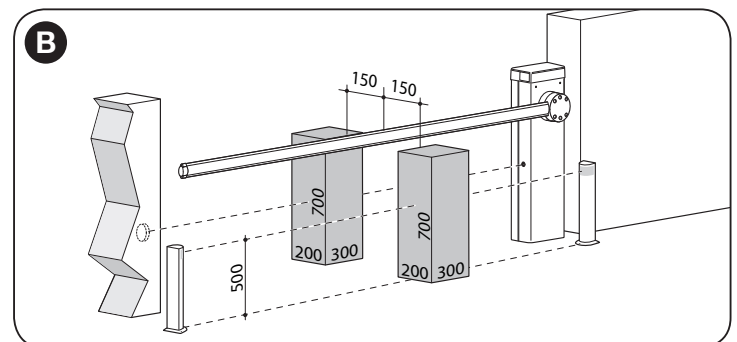
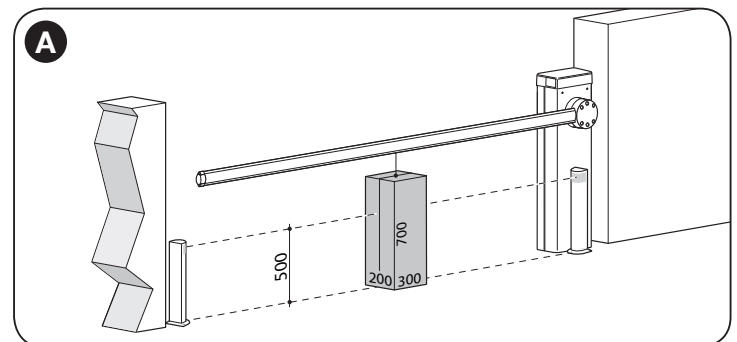
- 7 Ensure there is no interference between the photocells and other devices, by intercepting the optic axis joining the two photocells by means of a cylinder (diameter 5 cm, length 30 cm, **Fig. C**): pass the cylinder first close to the TX photocell, then close to the RX and lastly at the centre between the two. Ensure that in all cases the device engages, changing from the active status to alarm status and vice versa, and that the envisaged action is generated in the control unit (for example movement inversion in the Closing manoeuvre).
- 8 **Check protection against the risk of lifting:** on automations with vertical movement, it must be ensured that there is no risk of lifting. This test can be performed as follows: hang a weight of 20 kg mid-way along the pole (for example, a sack of gravel), activate an Opening manoeuvre and ensure that during operation the pole does not exceed the height of 50 cm from the closing position. If the pole exceeds this height, reduce the motor force (see chapter 6 - Table 7).
- 9 If hazardous situations generated by the moving poles are protected by means of impact force limitation, measure the force as specified in the standard EN 12445. If motor force control is used as auxiliary function with the system for reduction of impact force, test and identify the setting that obtains the best results.
- 10 **Check efficiency of the release system:** place the pole in the Closing position and manually release the gearmotor (see paragraph 3.6) ensuring that there is no difficulty with this procedure. Ensure that the manual force required to move the pole on opening is no greater than 200 N (approx. 20 kg); the force is measured perpendicular to the pole and at 1 m from the rotation axis. Lastly, ensure that the key required for manual release is available in the vicinity of the automation.
- 11 **Power supply disconnection system check:** by using the power dis-

connect device, and disconnecting any buffer batteries, ensure that all leds on the control unit are off and that the pole remains stationary when any commands are sent. Check efficiency of the locking device to prevent inadvertent and/or unauthorised reconnection.

## 5.2 - Commissioning

**Commissioning can only be performed after positive results of all test phases. Partial or "makeshift" commissioning is strictly prohibited.**

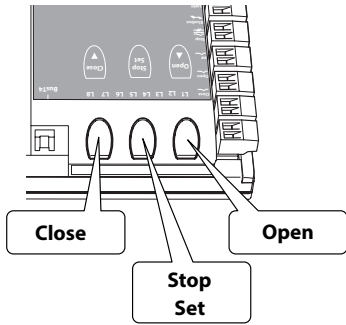
- 1 Compile and provide the automation owner with the "**CE Declaration of conformity - Appendix I**", at the end of this manual, in the removable section.
- 2 Compile and provide the automation owner with the form "**Operation Manual**" at the end of this manual, in the removable section.
- 3 Compile the form "**Maintenance schedule**", containing all maintenance instructions for all devices in the automation and forward it to the owner. In the case of the barrier, this form is present at the end of this manual, in the removable section.
- 4 Before commissioning the automation, ensure that the owner is adequately informed of all associated risks and hazards.
- 5 Permanently affix on the barrier, the label in the pack regarding the gearmotor manual release and locking operations.
- 6 **ONLY for installations NOT IN CONFORMITY** with the criteria stated in chapter 1.3.1 of this manual: produce the technical documentation of the automation, which must include the following documents: an overall drawing of the automation, the wiring diagram of all connections made, an assessment of all risks present and relative solutions adopted (see forms to be compiled on the website [www.niceforyou.com](http://www.niceforyou.com)), declarations of conformity of the manufacturer of all devices used (for the barrier see appendix II) and the declaration of conformity compiled by the installer.  
Affix a dataplate on the barrier, specifying at least the following data: type of automation, name and address of manufacturer (responsible for commissioning), serial number, year of construction and CE mark.



## 6 CONTROL UNIT PROGRAMMING

The control unit has 3 keys **OPEN (▲)**, **STOP (Set)**, **CLOSE (▼)** (Fig. 49) that can be used both for controlling the unit during testing and for programming the available functions.

The programmable functions available are divided into 2 levels and their relative operating status is displayed by means of the 8 LEDs (L1 ... L8) on the control unit.



### LED SIGNALS:

- **Led lit** = function active;
- **Led off** = function not active.

### PROGRAMMING KEYS:

- **OPEN (▲)**: the "OPEN" key enables control of pole opening or can be used, during programming, to move the programming point up.

- **STOP (Set)**: the "STOP" key enables the user to stop the manoeuvre; if pressed for more than 5 seconds, it enables entry to programming mode.
- **CLOSE (▼)**: the "CLOSE" key enables control of pole closing or can be used, during programming, to move the programming point down.

**IMPORTANT! – During a manoeuvre (open or close) all 3 keys (▲, Set, ▼) work as STOP; causing the maneuver underway to stop or the reverse of the maneuver.**

### 6.1 - Level one programming (ON-OFF functions)

All the level 1 functions (Table 6) are set by default to "OFF" and may be modified at any time as explained in Table 7. The parameters can be set on a scale from 1 to 8. To check the value corresponding to each led see Table 6.

**IMPORTANT –** In the programming procedure, the maximum time interval that can elapse between activation of one key and the next is 10 seconds. When this time elapses, the procedure terminates automatically, memorising the modifications made up until then.

TABLE 6 - First level functions

Led	Description	Example
L1	Automatic closure	This function performs automatic closure of the pole after the programmed pause time. Factory setting: 20 seconds. Value programmable from 3 to 60 seconds.
L2	Reclose after photo	This function enables the pole to remain in Opening position for the time required for transit. When the function is active, operation depends on the parameter set in the function "Automatic closure": <ul style="list-style-type: none"> <li>• with "Automatic closure" active, the Opening manoeuvre stops immediately after the photocells are disengaged and the Closure manoeuvre starts after 5 seconds.</li> <li>• with "Automatic closure" not active, the pole always reaches the maximum Opening position (even if the photocells are disengaged beforehand) and Closure starts after 5 seconds.</li> </ul>
L3	Always close	This function is useful in the event of a power failure, even brief. In fact if this function is active (ON), when power is restored, the control unit detects the pole as open and starts Closure. For reasons of safety the Closure manoeuvre is preceded by a 3-second pre-flashing interval.
L4	Stand by	This function allows consumptions to be reduced. If active, 1 minute after the end of the manoeuvre, the control unit turns off the TX of the Bluebus photocells and all the LEDs, excluding the Bluebus led which flashes more slowly. When the control unit receives a command normal operation is restored. <b>For the use of the barrier with the Solemyo system it is necessary to activate an even deeper "Stand by" mode, the "Stand by all". This operation is performed using the Oview programmer.</b>
L5	Long/short deceleration	This function enables the user to double the space for starting deceleration, both in Opening and Closing. If the function is deactivated, deceleration is short.
L6	Automatic start-up	This parameter, if active (ON), lets you activate the start-up (starting at maximum speed) until the pole is made to move. The default value is "OFF".
L7	Modo Slave	By activating this function the barrier becomes "Slave": it is possible to synchronize the operation of 2 counterposed barriers where one works as Master and the other as Slave; for more information see paragraph 7.6 - Master-Slave Mode.
L8	Direction of motor rotation	This parameter enables inversion of the direction of motor rotation to enable barrier installation on the right; the factory setting is "OFF" (standard motor rotation – pole closure on left). <b>Important – If the function is activated, the Opening and Closing positions must be memorised again (Paragraph 4.5).</b>

TABLE 7 - Programming procedure (first level functions)

01. Press and hold down the "Set" key for approx. 3 seconds;	
02. Release the key when led L1 starts flashing;	
03. Press keys "▲" or "▼" to move from the flashing led to the led associated with the function to be modified;	
04. Press "Set" to change the status of the function: (short flash = OFF; long flash = ON);	
05. Wait 10 seconds (maximum time) to exit the programming mode.	

**Note –** During this procedure, points 03 and 04 need to be repeated when programming other functions to "ON" or "OFF" during the phase itself.

### 6.2 - Level two programming (adjustable parameters)

All level 2 parameters are set by default (Table 8) and may be modified at any time as explained in Table 9.

The parameters can be set on a scale from 1 to 8. To check the value corresponding to each led see Table 8.

**IMPORTANT –** In the programming procedure, the maximum time interval that can elapse between activation of one key and the next is 10 seconds. When this time elapses, the procedure terminates automatically, memorising the modifications made up until then.


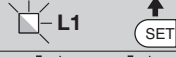






**TABLE 8 - Second level functions**

Input led	Parameter	Led (level)	Value	Description
<b>L1</b>	<b>Time Pause</b>	<b>L1</b>	3 seconds	Sets the pause time, i.e. the time that passes between the end of an opening manoeuvre and the start of an automatic closing manoeuvre This parameter is only effective if the "automatic Closure" is active.
		<b>L2</b>	5 seconds	
		<b>L3</b>	7 seconds	
		<b>L4</b>	10 seconds	
		<b>L5</b>	15 seconds	
		<b>L6</b>	20 seconds	
		<b>L7</b>	40 seconds	
		<b>L8</b>	60 seconds	
<b>L2</b>	<b>Function Step by step</b>	<b>L1</b>	Open – stop – close - stop	Sets the sequence of commands associated with the input or the radio control: "Step by step".
		<b>L2</b>	Open – stop – close - open	
		<b>L3</b>	Open – close – open - close	
		<b>L4</b>	Apartment block 1	
		<b>L5</b>	Apartment block 2	
		<b>L6</b>	Step by step 2	
		<b>L7</b>	Hold-to-run	
		<b>L8</b>	Opening in semi-automatic mode, closing in dead man mode	
<b>L3</b>	<b>Speed Motor</b>	<b>L1</b>	Speed 1 (50%)	Sets the motor speed during normal travel.
		<b>L2</b>	Speed 2 (80%)	
		<b>L3</b>	Speed 3 (100%)	
		<b>L4</b>	Open V3, Close V1	
		<b>L5</b>	Open V1, Close V2	
		<b>L6</b>	Open V2, Close V3	
		<b>L7</b>	Open V3, Close V2	
		<b>L8</b>	Open V2, Close V1	
<b>L4</b>	<b>1 LIGHT Output</b>	<b>L1</b>	Pole Open Indicator (24 V - 10 W)	Selects the type of device connected to the LIGHT output. <b>Important!</b> – If the programmed setting is modified, check the type of voltage of the new device connected to the LIGHT terminal and ensure that it corresponds to the type of voltage of the selected programming level.
		<b>L2</b>	Pole closed (24 V - 10 W)	
		<b>L3</b>	Pole open (24 V - 10 W)	
		<b>L4</b>	Flashing light(12 V - 21 W)	
		<b>L5</b>	Flashing light 1 (24 V - 10 W) (for pole lights)	
		<b>L6</b>	Electric lock(24 V - 10 W)	
		<b>L7</b>	Suction cup(24 V - 10 W)	
		<b>L8</b>	Maintenance indicator (24 V - 10 W)	
<b>L5</b>	<b>Led Output (cover lights)</b>	<b>L1</b>	Flashing light (only during the manoeuvre)	Select the operating mode of the device connected to the led output. Modes from L1 to L4 can be associated to the led flashing light device. Modes from L5 to L8 can be associated to the led traffic light device. <b>Important!</b> – Never connect devices other than those specified.
		<b>L2</b>	Flashing light 1 (always flashing)	
		<b>L3</b>	Courtesy light	
		<b>L4</b>	Always lit	
		<b>L5</b>	Red traffic light	
		<b>L6</b>	Green traffic light	
		<b>L7</b>	One-way traffic light	
		<b>L8</b>	Two-way traffic light	
<b>L6</b>	<b>Motor force</b>	<b>L1</b>	Force 1 (low)	During the movement, adjust the control system of the motor force to adapt it to the weight of the pole.
		<b>L2</b>	Force 2	
		<b>L3</b>	Force 3	
		<b>L4</b>	Force 4	
		<b>L5</b>	Force 5	
		<b>L6</b>	Force 6	
		<b>L7</b>	Force 7	
		<b>L8</b>	Force 8 (high)	
<b>L7</b>	<b>Loop Detector Sensitivity</b>	<b>L1</b>	100% - maximum	Adjust the detection sensitivity of the metal objects of the Loop Detector circuit. See paragraph 7.5 - chap. 7 Further details.
		<b>L2</b>	90%	
		<b>L3</b>	80%	
		<b>L4</b>	70%	
		<b>L5</b>	60%	
		<b>L6</b>	50%	
		<b>L7</b>	40%	
		<b>L8</b>	30% - minimum	
<b>L8</b>	<b>Braking</b>	<b>L1</b>	0 - absent	Set the intensity of the braking carried out during the deceleration phase of the manoeuvre.
		<b>L2</b>	1	
		<b>L3</b>	2	
		<b>L4</b>	3	
		<b>L5</b>	5	
		<b>L6</b>	6	
		<b>L7</b>	8	
		<b>L8</b>	9 - maximum	

**WARNINGS:**

- Do not set an excessively high value for the "motor force" as this may impair operation of the safety system or damage the pole;
- If the "Motor force control" is used in support of the system for impact force reduction, after each adjustment the force measurement procedure must be performed, as envisaged by standard EN 12445.
- Wear and atmospheric conditions influence movement of the pole; motor force settings should be checked periodically.

**TABLE 9 - Programming procedure (second level functions)**

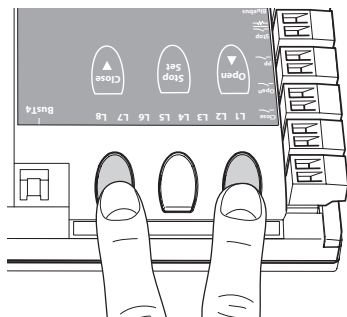
01. Press and hold down the "Set" key for approx. 3 seconds;	
02. Release the key when led L1 starts flashing;	
03. Press keys "▲" or "▼" to move from the flashing led to the led associated with the function to be modified;	
04. Press and hold the "Set" key through to completion of point 06;	
05. Wait approx. 3 seconds, until the led representing the current level of the parameter to be modified illuminates;	
06. Press keys ▲ or ▼ to move the led representing the value of the parameter;	
07. Release the "Set" key;	
08. Wait 10 seconds (maximum time) to exit the programming mode.	
<b>Note</b> – During this procedure, points 03 to 07 need to be repeated when programming other parameters during the phase itself.	

## 7 FURTHER INFORMATION

### 7.1 - Total deletion of control unit memory

It is possible to delete all memorised data on the control unit and reset it to the original factory settings:

01. Press and hold down "▲" and "▼" keys at the same time;



02. Release the keys when all Led illuminate (after approx.3 seconds);  
 03. When leds L1 and L2 start flashing, this means that the procedure is terminated.

Note – With this procedure it is also possible to delete any errors remaining in the memory.

**Important** – This procedure does not delete the parameter regarding the direction of motor rotation and the number of manoeuvres performed.

### 7.2 - Other functions

#### • "Always open" function

This function is a special feature of the control unit; it is associated with the "Step Step" input and enables an "always open" command when the Step Step command remains active for more than 3 seconds. This function is valid for any setting of the Step Step input (see "SS Function" in **Table 8**).

For example, it can be used to connect a clock for programming permanent opening of the barrier during a specific time band.

#### • "Move anyway" function

If one or more safety devices malfunctions or is out of service, this function enables control of the barrier in "hold-to-run" mode (for details, see chapter "operation manual").

#### • "Maintenance notification" function

This function enables notification of when an automation maintenance check is necessary. The "Maintenance notification" parameter can be set by using the Oview programmer. The maintenance notification is signalled via the Flash flashing light or by the maintenance indicator according to the type of setting. The signals emitted by the Flash flashing light and the maintenance indicator are shown in **Table 10**.

#### • Check of number of manoeuvres performed

To check the number of manoeuvres performed, the Oview programmer is required; parameters that can be checked under the item "Maintenance".

#### • Manoeuvre counter reset

The manoeuvres can be reset at the end of the automation maintenance phase and must be carried out by **deactivating** the "Maintenance indicator" function related to the LIGHT output.

**Note - Temporarily disconnect the device connected to the 1 LIGHT output.**

Procedure to **activate** the Maintenance indicator (when it is not already active):

01. Press and hold down the "Set" key for approx. 3 seconds;
02. Release the key when led "L1" starts flashing;
03. Press the key "▲" or "▼" to move from the led that is flashing to led L4 ("LIGHT output" input led);
04. Press and hold the "Set" key through to completion of point 07;
05. Wait approx. 3 seconds, until the led of the programmed output illuminates;
06. Press keys "▲" or "▼" to move the lit led on L8;
07. Release the key "Set" and wait for the output for the timeout from the programming procedure.

Procedure to **deactivate** the Maintenance indicator (when it is not already active):

01. Press and hold down the "Set" key for approx. 3 seconds;
02. Release the key when led "L1" starts flashing;
03. Press the key "▲" or "▼" to move from the led that is flashing to led L4 ("LIGHT output" input led);
04. Press and hold the "Set" key through to completion of point 07;
05. Wait approx. 3 seconds, until led L8 illuminates;
06. Press keys "▲" or "▼" to move the lit led on a led other than L8;
07. Release the key "Set" and wait for the output for the timeout from the programming procedure.

Now the maintenance notification has been cancelled.

Note – Reset the programming of the LIGHT output with the device to be used and then reconnect it to the output.

**TABLE 10**

Number of manoeuvres	Flash flashing light	Maintenance indicator
Below 80% of the limit	Normal (0.5 sec. lit - 0.5 sec. off)	Light on for 2 seconds at the start of the opening manoeuvre.
Between 81% and 100% of the limit	Light on for 2 seconds at the start of the manoeuvre, then continuing as normal	Flashing for entire duration of manoeuvre
Over 100% of the limit	At the start and end of the manoeuvre, remains lit for 2 sec., then continues as normal.	Always flashes

### 7.3 - Adding or removing devices

New devices can be added at any time, connected to the BlueBus and Stop input or those present can be deleted as required. To do this, proceed as follows:

01. Press and hold down “▲” and “Set” keys at the same time;
02. Release the buttons when LEDs L1 and L2 start flashing very quickly (after approx. 3 s);
03. Wait a few seconds for the control unit to finish connected device self-learning;
04. At the end of this phase, the STOP led must remain lit, while LEDs L1 and L2 turn off (where relevant LEDs L3 and L4 start flashing).

After performing this procedure, the automation testing procedure must be performed as described in chapter 5.1.

#### 7.3.1 - Bluebus Inlet

This Bluebus system allows device connections to be made using just 2 conductors for both the electricity supply and the communication signals. All devices are connected in parallel on the same 2 Bluebus wires, without the need to observe polarity. Each device is individually recognized because a unique address is assigned to it during installation. Bluebus can be used to connect the following: photocells, safety devices, control devices such as key-boards and readers for transponder cards, indicator lamps, etc. The control unit recognises each one of the devices connected during the self-learning phase and is able to detect all possible faults in maximum safety. For this reason each time a device is connected to or removed from Bluebus the self-learning phase must be repeated, as described in paragraph 4.4.

#### 7.3.2 - Photocells

The Bluebus system enables the control unit to recognise the photocells, control routing of the relative jumpers (see Table 11) and enables assignment of the correct value for the obstacle detection function. The routing operation is performed both on TX and RX, positioning the jumpers in the same way with a check that there are no pairs of photocells with the same address.

The photocells may be installed as shown in fig. D. **Important** – After installing or removing the photocells, the device learning phase must be performed, as described in paragraph 4.4.

It is possible to install the TX or RX photocell inside the caisson of the barrier, in the space provided (fig. 53).

To install the photocell, proceed as follows:

01. Extract the board of the photocell from its box by prizing it out with a slotted tip screwdriver (fig. 53-a). **IMPORTANT!** - Do not damage the electric components inside;
02. Open the box prepared for the photocells, present in the accessory box (fig. 53-b);
03. Block the board on the bottom of the box (fig. 53-c);
04. Pierce the rubber arranged for the passage of the electric cable (fig. 53-d);
05. Route the electric cable and connect it to the terminal of the photocell (fig. 53-e);
06. Close the bottom of the box with the cover, taking care to block the rubber in its seat (fig. 53-f);
07. Hook the box on the lens on the side of the caisson by making it slide from top to bottom (fig. 53-g).

**NOTE** – 2 photocells with control function “opens FA1” and “opens FA2” can be connected to the Bluebus input (it is necessary to cut the A jumper at the rear of TX and RX cards). When these photocells intervene, the control unit commands an opening manoeuvre. For further information, refer to the instruction manual for the photocells.

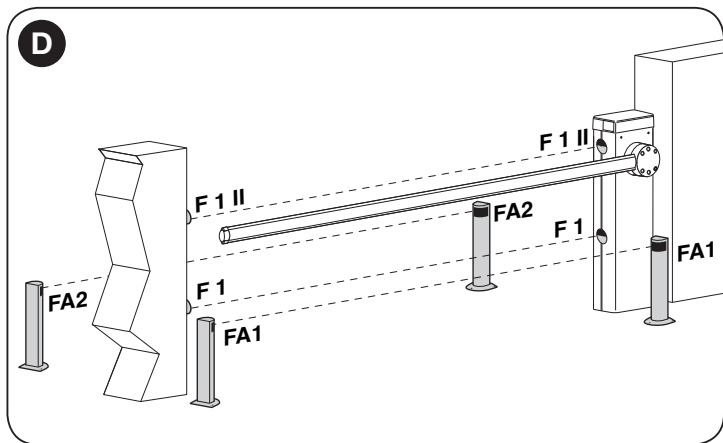


TABLE 11 - PHOTOCCELL ADDRESSES

Photocell	Jumpers	
PHOTO	Photocell h = 50 activated on closure	
PHOTO II	Photocell h = 100 activated on closure	
PHOTO 1	Photocell h = 50 activated on closure	
PHOTO 1 II	Photocell h = 100 activated on closure	
PHOTO 2	Photocell activated on opening (inverts on closing)	
PHOTO 2 II	Photocell activated on opening (inverts on closing)	
PHOTO 3	Single photocell activated on opening and closing	
FA1	Photocell for opening command (cut the A jumper at the rear of TX and RX cards)	
FA2	Photocell for opening command (cut the A jumper at the rear of TX and RX cards)	

#### 7.3.3 - MOTB digital selector and proximity reader for MOMB transponder cards

The Bluebus system enables connection of up to 4 MOTB digital selectors or 4 MOMB transponder badge readers.

MOTB enables control of the automation, by entering one of the memorised numerical codes on the keypad.

MOMB enables control of the automation by simply placing the memorised transponder badge close to the automation.

These devices have an individual code, which is recognised and memorised by the control unit during the phase for learning all connected devices (see paragraph 4.4).

This prevents an fraudulent attempts to replace a device or use of the automation by unauthorised persons. For further information, refer to the instruction manual for MOTB and MOMB.

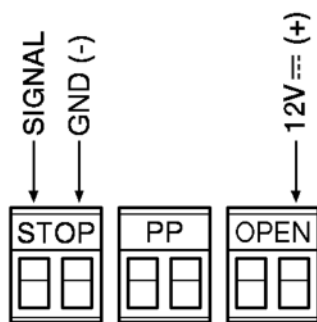
#### 7.3.4 - STOP Input

The Stop input causes the manoeuvre to stop immediately followed by a short reverse run. Devices with normally open NO or normally closed NC contact outputs, optical devices (Opto Sensors), or devices with 8.2 kΩ constant resistance output such as sensitive edges can be connected to this input. The control unit, during the learning phase, recognises the type of device connected and activates a STOP command when any variation in the learnt status occurs. When set accordingly, more than one device can be connected to the STOP input, also different from one another;

- Several NO devices can be connected in parallel, with no limit to the number;
- Several NO devices can be connected in series, with no limit to the number;
- Two devices with an 8.2kΩ constant resistance output can be connected in parallel; multiple devices must be connected “in cascade” with a single 8.2kΩ termination resistance;
- An NO and NC type combination is also possible, placing the 2 contacts in parallel. In this case, a 8.2 kΩ resistance must be placed in series with the NC contact; this also enables the combination of 3 devices: NO, NC and 8.2 kΩ.

**Caution** – If the STOP input is used to connect devices with safety functions, only the devices with a constant resistance of 8.2 kΩ or OPTO SENSOR optical devices guarantee adequate safety levels against faults.

For connection of an optical device type OPTO SENSOR make the connections as shown in fig. E. The maximum current provided on the 12 Vdc line is 40 mA.



## 7.4 - Diagnostics

Some devices are able to emit signals that serve to recognise their state of operation or possible faults.

### 7.4.1 - Signals of control unit

The LEDs of the terminals and the keys on the control unit emit special signals both to indicate normal operation and possible faults. Tables 12 and 13 describe the cause and solution for each type of signal.

**TABLE 12 - Terminal LEDs on control unit**

Led Bluebus	Cause	Solution
Off	Fault	Check for presence of the power supply; check that the fuses are not blown; in this case, identify the cause of the fault and then replace with versions with the same specifications.
On	Serious fault	This indicates a serious fault; try switching off the control unit for a few seconds; if the condition persists there is a fault and the electronic board needs to be replaced.
1 flash per second	All OK	Normal operation of control unit.
2 quick flashes	Input status variation	A variation to the status of the inputs SS, STOP, OPEN, CLOSE, activation of the photocells, or when the radio transmitter is used, is normal.
Series of flashes separated by	Various	This is the same signal of 1 second as on the flashing light (See table 15).
Led STOP	Cause	Solution
Off	STOP input activation	Check the device connected to the STOP input
On	All OK	STOP input active
Led PP	Cause	Solution
Off	All OK	S.S. Input not active
On	S.S. input activation	Normal if the device connected to the S.S. input is active
Led OPEN	Cause	Solution
Off	All OK	OPEN input not active
On	OPEN input activation	Normal if the device connected to the OPEN input is active
Led CLOSE	Cause	Solution
Off	All OK	CLOSE input not active
On	CLOSE input activation	Normal if the device connected to the CLOSE input is active
FC1 limit switch led	Cause	Solution
Off	Limit switch activation	- If the parameter "Standard motor rotation direction" is set, the pole is in the total closing position. - If the parameter "Inverted motor rotation direction" is set, the pole is in the total opening position.
On	Limit switch not activated	- If the parameter "Standard motor rotation direction" is set, the pole is in a position other than the total closing position. - If the parameter "Inverted motor rotation direction" is set, the pole is in a position other than the total opening position.
FC2 limit switch led	Cause	Solution
Off	Limit switch activation	- If the parameter "Standard motor rotation direction" is set, the pole is in the total opening position. - If the parameter "Inverted motor rotation direction" is set, the pole is in the total closing position.
On	Limit switch not activated	- If the parameter "Standard motor rotation direction" is set, the pole is in a position other than the total opening position. - If the parameter "Inverted motor rotation direction" is set, the pole is in a position other than the total closing position.
Led encoder	Cause	Solution
Off	The magnet is in front of the sensor	If there is no manoeuvre in progress it is normal, otherwise there is a fault in the encoder or the cable is not connected properly
On	The magnet is not in front of the sensor	If there is no manoeuvre in progress it is normal, otherwise there is a fault in the encoder or the cable is not connected properly
Flashing light	Manoeuvre in progress	All OK if the manoeuvre is in progress; the flashing is proportional to the speed. <i>Note – During the execution of the manoeuvre, the flashing speed could appear as led on.</i>



**TABLE 13 - Button LEDs on control unit**

Led 1	Description
Off	During normal operation, indicates “Automatic closure” not active.
On	During normal operation, indicates “Automatic closure” active.
Flashes	<ul style="list-style-type: none"> <li>• Programming of functions in progress.</li> <li>• If this flashes together with L2 this indicates that the device learning phase must be performed (see paragraph 4.4).</li> </ul>
Quick flash	After control unit start-up, it indicates a memory error regarding the <u>devices connected</u> . At the same time, the “Bluebus” led emits a diagnostic signal: 5 flashes - pause of 1 second - 5 flashes. In this case the learning phase for connected devices must be performed (see paragraph 4.4) or delete the memory (see paragraph 7.1).
Led 2	Description
Off	During normal operation, indicates “Re-close after photo” not active.
On	During normal operation, indicates “Re-close after photo” active.
Flashes	<ul style="list-style-type: none"> <li>• Programming of functions in progress.</li> <li>• If this flashes together with L1 this indicates that the device learning phase must be performed (see paragraph 4.4).</li> </ul>
Quick flash	After control unit start-up, it indicates a memory error regarding the <u>positions</u> . At the same time, the “Bluebus” led emits a diagnostic signal: 5 flashes - pause of 1 second - 5 flashes. In this case the learning phase for the Opening and Closing positions must be performed (see paragraph 4.5) or delete the memory (see paragraph 7.1).
Led 3	Description
Off	During normal operation, indicates “Re-close after photo” not active.
On	During normal operation, indicates “Re-close after photo” active.
Flashes	<ul style="list-style-type: none"> <li>• Programming of functions in progress.</li> <li>• If this flashes together with L4 this indicates that the device learning phase of the opening and closing positions of the pole must be carried out (see paragraph 4.5).</li> </ul>
Quick flash	After control unit start-up, it indicates a memory error regarding the <u>parameters and configurations</u> . At the same time, the “Bluebus” led emits a diagnostic signal: 5 flashes - pause of 1 second - 5 flashes. In this case it is necessary to delete the memory (see paragraph 8.1), the learning of the connected devices (see paragraph 4.4) and the learning of the opening and closing positions (see paragraph 4.5).
Led 4	Description
Off	During normal operation, indicates “Stand-BY” not active.
On	During normal operation, indicates “Stand-BY” active.
Flashes	<ul style="list-style-type: none"> <li>• Programming of functions in progress.</li> <li>• If this flashes together with L3 this indicates that the device learning phase of the opening and closing positions of the pole must be carried out (see paragraph 4.5).</li> </ul>
Quick flash	A short circuit or an over absorption in one of the 3 terminal outputs has been detected. Check the connections and the devices connected to the various outputs.
Led 5	Description
Off	During normal operation, indicates “Short deceleration” active.
On	During normal operation, indicates “Long deceleration” active.
Flashes	Programming of functions in progress.
Quick flash	There is an error in the encoder calculation since one or more magnets are not read or the cable is not connected or it is the third consecutive manoeuvre where the “Obstacle detection” function activates. Check that all the magnets are read and the cable is connected and in good condition.
Led 6	Description
Off	During normal operation, indicates “Pre-flash” not active.
On	During normal operation, indicates “Pre-flash” active.
Flashes	Programming of functions in progress.
Quick flash	<ul style="list-style-type: none"> <li>- The limit switches are inverted. Invert the wiring of the limit switches or check that the parameter “direction of motor rotation” is set.</li> <li>- After sending a movement command, the limit switch has not been freed by the set time: make sure that there is no hindrance to the movement; the “start-up” function may be activated if necessary.</li> </ul>
Led 7	Description
Off	During normal operation, indicates “Current sensitivity control” not active.
On	During normal operation, indicates “Current sensitivity control” active.
Flashes	Programming of functions in progress.
Quick flash	Error in the Master/Slave communication. Check whether the cable is connected or check the polarity of the Master/Slave connection cable or check that the Master/Slave acquisition phase for both control units has been carried out (see paragraph 7.6 – “Master/Slave”).
Led 8	Description
Off	During normal operation it indicates that Pole closing is set to the left.
On	During normal operation it indicates that Pole closing is set to the right.
Flashes	Programming of functions in progress.
Quick flash	Barrier version error. The type of barrier does not coincide with the version saved in the control unit. Check that the version wiring is in good condition and connected correctly. If the error continues, delete the memory and install again.

## 7.4.2 - Flashing light signals

If a flashing light is connected to the FLASH output on the control unit (or the led flashing light is used, optional accessory), during the performance of a manoeuvre this emits a flash each second. If faults occur, the flashing light will

emit shorter flashes; these are repeated twice, separated by a 1 second pause. The same signals are also emitted by the led flashing light (optional accessory) and the "Bluebus" led. Table 14 shows the cause and solution for each type of signal.

TABLE 14

1 flash second pause 1 flash	Bluebus system error	At the start of the manoeuvre, the devices connected to Bluebus do not correspond to those recognized during the self-learning phase. One or more devices may be faulty; check and, if necessary, replace them. In case of modifications repeat the device self-learning process (see paragraph 4.5).
2 flashes second pause 2 flashes	Photocell activated	At the start of the manoeuvre, one or more photocells do not enable it; check to see if there are any obstacles.
3 flashes second pause 3 flashes	Activation of Motor Force limiter	During the movement, the pole has experienced excessive friction; identify the cause.
4 flashes second pause 4 flashes	STOP input activation	At the start of the manoeuvre or during the movement, the STOP input was activated; identify the cause.
5 flashes second pause 5 flashes	Error on internal parameters in control unit	Switch off the power and turn it on again. If the error continues carry out the "Total deletion of the memory" as described in chapter 7.1 and redo the installation; if the condition persists, there may be a serious malfunction and the electronic board must be replaced.
6 flashes second pause 6 flashes	Not used	—
7 flashes second pause 7 flashes	Error in internal electric circuits	Disconnect all power circuits for a few seconds and then retry a command; if the condition persists this may indicate a serious fault with the board or motor wiring. Check and make replacements as necessary.
8 flashes second pause 8 flashes	Not used	—
9 flashes second pause 9 flashes	Block automation	Send the command "Release automation" or control the manoeuvre with "High Priority Step Step".

## 7.5 - Loop Detector

The control unit has two circuits used to detect metal masses (motorcycles, cars, trucks, etc...); each circuit may be completed with the use of an inductive loop, consisting of 1 unipolar cable, to be positioned below the ground at a depth of a few centimeters.

### 7.5.1 - Operation

When the control unit detects a variation in frequency with the passage of a metal mass above the loop, it activates a manoeuvre or an output (output 1, 2, 3) to activate the flashing light, the open barrier indicator or the lights for the pole. The factory setting controls an opening manoeuvre of the pole; until the loop is operating, it is not possible to control the closing manoeuvre.

When the control unit is powered, it carries out a calibration, i.e. a measurement of the operating frequency of each loop; if no loop is connected to the control unit, the circuit automatically turns off after 30 seconds.

There are 8 levels of "metal mass detection sensitivity" (see Table 7 chapter 6). The factory setting is 90%.

By using the Oview programmer, it is possible to modify the other parameters and operating modes associated to the Loop Detector.

The following programs are possible, also see Table 15 for the values:

- **Loop sensitivity:** set the minimum frequency variation of the metal mass, required to activate the manoeuvre. Reference parameters:
  - set a "high sensitivity" for the detection of small sized metal masses
  - set a "low sensitivity" for the detection of large sized metal masses.
- **Loop power supply:** activates or deactivates the circuits of the loop detector.
- **Activate loop 1, 2:** the activation of the loop makes the movement of the barrier activate according to the set operating mode. If the function is DEACTIVATED, the status of the loop is available, by suitably programming one of the outputs (output 1, 2, 3) on the control unit, with the Oview programmer.
- **Loop permanence time:** time during which the loop is occupied. Once this time has passed, a recalibration is automatically activated to signal the free loop.
- **Loop operation mode:** if the function "Loop active" is enabled and the loop command signal is ACTIVE, the behaviour of the barrier varies according to the set "loop operation mode":

- only opens (apartment block opens)
- only closes
- alt
- photo closes (PHOTO with total inversion). **CAUTION! – The loop configured as "photo close" is not a safety device; therefore, it is not guaranteed to intervene in all conditions. In particular, at every start movement the control unit calibrates the system by considering the absence of metal items above the loops.**

- **Calibration:** starts a calibration procedure; i.e. acknowledgement of the connected loop. Note: the calibration automatically activates the parameter "Loop power supply"
- **Activation modes:** see Table 16 (relay = loop command signal).
- **Loop activation time:** is the time "t" linked to the operating modes described in Table 16.
- **Loop frequency display:** signals the fluctuation frequency of the loop selected in Hz.

### 7.5.2 - Installation

#### WARNINGS

- It is advisable to install the magnetic loop near the barrier.
- The electric cables of the magnetic loops must be separated from the other cables in the barrier (power supply, accessories, etc.).
- If the magnetic loops are connected to other barriers, it is necessary to position them at least 1 m between each other.
- **Important!** – The magnetic loop must be fixed in a way to make it immobile since any movement caused by an unstable floor could cause false tripping.
- The size of the loop must be defined depending on the application; it is necessary to consider that the loop must be positioned at a distance of at least 20 cm from fixed metal objects and 1 m from moving metal objects (**fig. F**). Note – To obtain optimal operation, it is worth using a loop that is the same size as or smaller than the object to be detected.
- Usually the loop used for the passage of cars and trucks is rectangular in shape, to be positioned 45° with respect to the route arranged for the passage of bicycles and motorbikes (**fig. G**). Note – We recommend you cut the 45° corners of the outline on the floor to avoid breaking the cable.
- **IMPORTANT – TO PREVENT INTERFERENCE, THE CONNECTION**

**CABLES OF THE LOOP MUST BE TWISTED AT LEAST 20 TIMES A METER AND THERE MUST BE NO JOINTS.** Should it be necessary to extend the cable, weld the conductors and seal them with the thermo-shrinkable sheath. **The length of the twisted cable must be less than 20 m.**

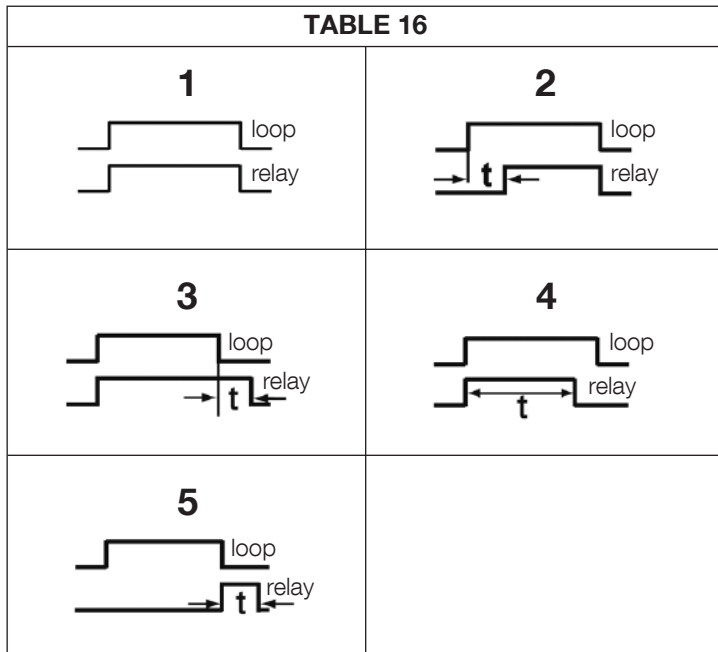
01. After determining the size of the loop, dig a groove in the floor of a width = 8 mm and a depth = 30-50 mm (fig. H);
02. Clean the groove and insert the loop, trying to compact it in a way to avoid it moving;
03. Carry out the number of turns of the loop depending on the perimeter, as indicated in **Table 17**: use a 1.5 mm<sup>2</sup> unipolar isolated copper cable (fig. H);
04. Before sealing the groove, check that the value of the inductive loop is between 100 and 400 uH or, through the Oview programmer, check that the value of the measured frequency (Parameter "Loop Frequency") is between 30 and 90 KHz;

05. Cover the loop with sand to protect it and then seal the groove with bitumen or resin for outdoor use (fig. H). **Important!** – The temperature of the sealant **must not exceed** the maximum temperature admitted for the isolation of the cable, otherwise a loss in isolation towards the earth may occur.
06. The electric cables must be connected to the **Loop1 (fig. I)** and **Loop2 (fig. L)** terminals. The Loop2 terminal presents 2 connection possibilities (fig. L); based on the type of connection used, it varies the working frequency of the loop.  
**Important!** – If Loop1 is positioned near Loop2 and both work at the same frequency (or almost), interference could be generated; in this case, it is necessary to change the connection to Loop2 terminal.

**TABLE 15**

Function	Values	Default
Loop 1 sensitivity	10 – 100%	90%
Loop 2 sensitivity	10 – 100%	90%
Loop power supply	on – off	on
Loop 1 active	on – off	on
Loop 2 active	on – off	on
Loop 1 operating mode	selectable	open
Loop 2 operating mode	selectable	open
Loop 1 permanence time	2 – 20 = always	20 = always
Loop 2 permanence time	2 – 20 = always	20 = always
Output function 1, 2, 3: Active out (1,2,3) for loop 1	selectable	off
Output function 1, 2, 3: Active out (1,2,3) for loop 2	selectable	off
Calibration [also carried out upon start-up]	on – off	
Loop 1 activation mode*: Loop 1 time	1 – 5 0 – 25 s	1 2s
Loop 2 activation mode*: Loop 2 time	1 – 5 0 – 25 s	1 2s
Loop 1 frequency display	0 – 100000	-
Loop 2 frequency display	0 – 100000	-

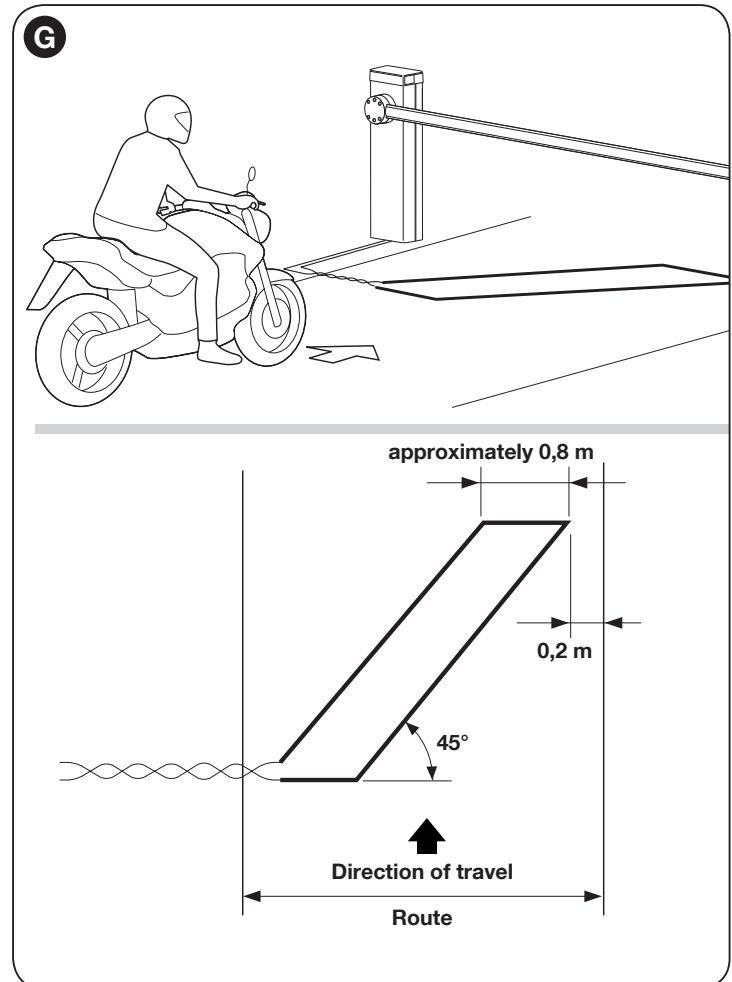
**TABLE 16**

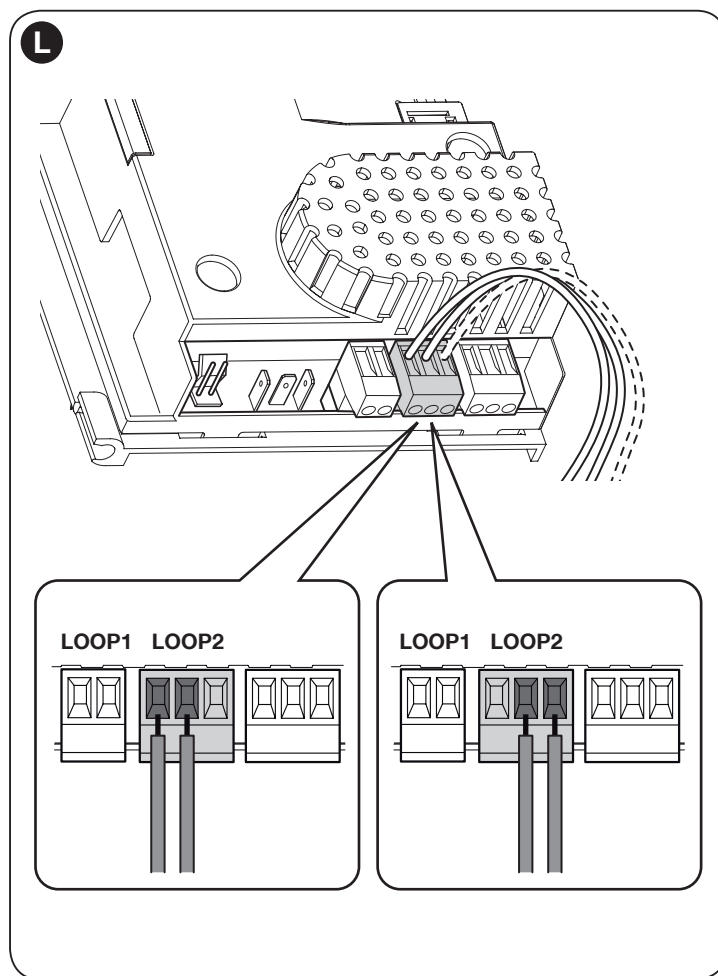
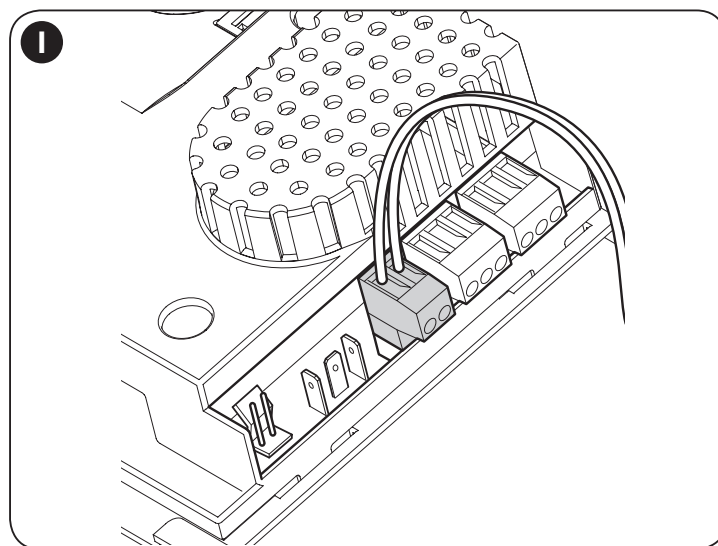
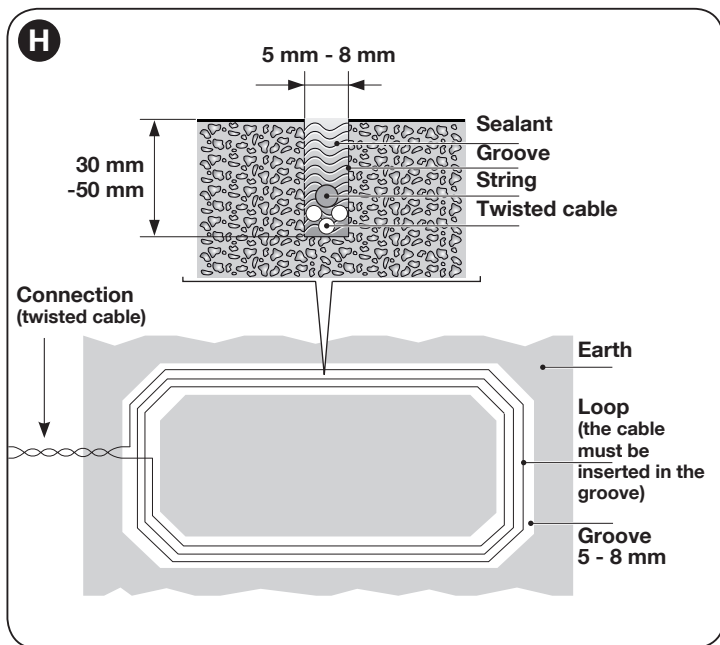
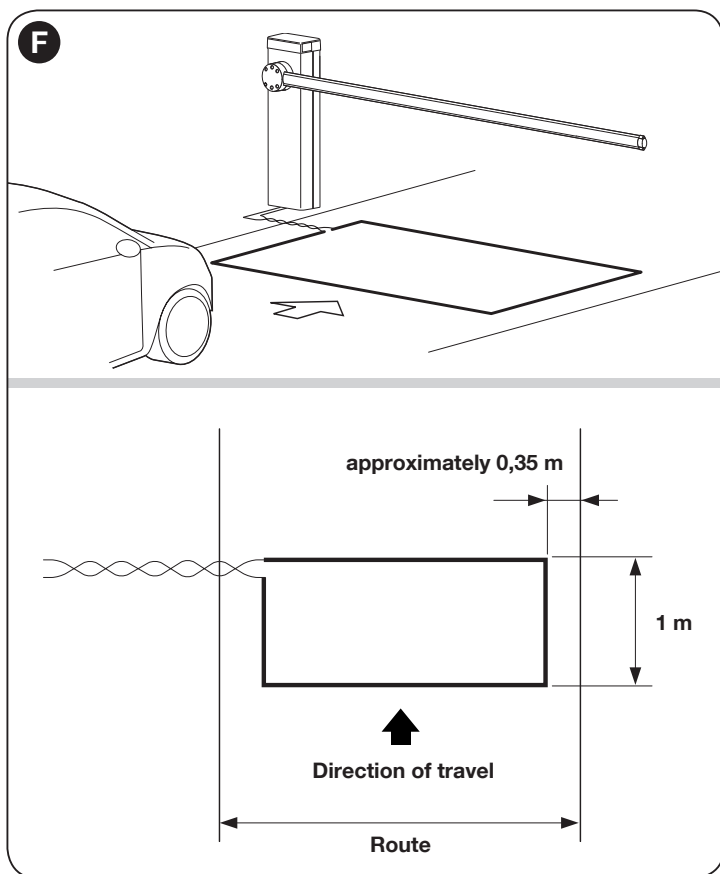


**TABLE 17**

Perimeter of the loop	Number of turns to be carried out
2 – 4 m	6
4 – 7 m	5
7 – 12 m	4
more than 12 m	3

**Note** – If in the loop positioning place, below the floor, there are some metal reinforcements, the inductivity of the loop is reduced. In this case, it is necessary to add 2 turns to the twisting of the cable





## 7.6 - Master - Slave mode

This operating mode is used if it is necessary to automate 2 counterposed barriers which perform synchronised movements. In this mode, a barrier works as Master and commands the manoeuvres, while the second works as Slave and carries out the commands sent from the Master barrier; by default all the barriers are set as Master.

To configure the barrier as Slave it is necessary to activate the level 1 function "Slave Mode" (see Table 7).

The connection between Master and Slave takes place through the BusT4 with the dedicated Master/Slave connector.

**Important! – Should the Oview programmer be used, it is necessary to modify the parameter "Griup" or "Address" of one of the 2 barriers. This is to avoid the simultaneous communication of the 2 control units with the Oview programmer.**

### 7.6.1 - Installation and electrical connections

#### Warnings

- All the devices, including the radio receiver, must be connected on the Master barrier;
- If the buffer battery is used, each barrier must have its own;
- In the **Slave** barrier it is possible to carry out the following connections:

- its own flashing light (Flash)
- its own Pole Open Indicator (S.C.A.)
- pole lights
- its own sensitive edge (Stop)
- its own command device (P.P.), which commands the total opening of the Slave pole only
- the Open and Close inputs are not used
- the Loop1 and Loop2 inputs programmed with "Open" mode
- the receiving radio

To install 2 barriers and program them with "Master - Slave" mode, proceed as follows:

- 01.** Install the 2 barriers (**fig. M**).  
It is not important which of the two works as Master or Slave; it is necessary to assess the convenience to create the electrical connections and that the "Step-Step" command that will carry out the Slave barrier will provide the total open **of the Slave pole only**;
- 02.** Connect the two control units one to the other through the Master/Slave connector (**fig. 54**), respecting the polarity indicated;
- 03.** At this point, carry out the other electrical connections (**fig. 54**), referring to the indications contained in chapter 4 - Electrical connections;

04. Once all the electrical connections are done, power each control unit and for each one, follow the procedure described in paragraph 4.2 - Initial start-up and electrical connections.

**Important! – Should the Oview programmer be used, it is necessary to modify the parameter “Group” or “Address” of one of the 2 control units of the barrier; this is to avoid that the 2 control units communicate with Oview at the same time.**

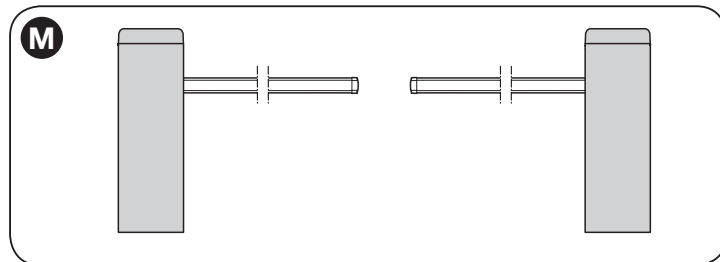
05. In the **Slave barrier**, carry out the following programming:  
 a) Recognition of the connected devices (see paragraph 4.4)  
 b) Recognition of opening and closing positions (see paragraph 4.5)  
 c) Carry out any adjustments  
 d) Activate the “Slave Mode” parameter as described in paragraph 6.1 - Level one programming (ON-OFF).

At this point, led **L7** starts flashing to signal a “Master-Slave communication error”. This is because the coupling of the Master barrier with the Slave barrier has not yet been carried out.

**Important!** - In the counterposed barrier, before carrying out “the opening and closing learning phase”, **it is necessary to set the “Direction of motor rotation”** (parameter L8 - Table 7, paragraph 6.1);

**Important** – Consider that during operation, any programming on the Slave barrier is ignored, since the programming on the Master barrier prevails, excluding that reported in **Table 18**, which only affects the Slave barrier.

06. In the **Master barrier**, carry out the following programming:  
 a) Recognition of the connected devices (see paragraph 4.4)  
 b) Recognition of opening and closing positions (see paragraph 4.5)  
 c) carry out any adjustments;  
 07. Finally, **from the Master control unit**, send a command to carry out a manoeuvre and check that the latter is also carried out by the Slave barrier.



**TABLE 18**

Level one functions (ON-OFF functions)	Level two functions (adjustable parameters)
Stand-by	Motor Speed
Start-up	Flash Output
Slave Mode	Led output
Long/short deceleration	Motor force
Direction of motor rotation	Braking

**Note** – Should you decide to use the “total standby” function in the barriers with the Master-Slave configuration, it is necessary to carry out the electrical connection using the BusT4 connector and **not the Master-Slave connector**.

**8 WHAT TO DO IF... (troubleshooting guide)**

Possible causes of malfunctions are listed below, which may occur during the installation phase, or in the case of faults, possible remedies:

- **The radio transmitter does not control the barrier and the transmitter led does not illuminate:** Check that the transmitter batteries are not discharged and replace if necessary.
- **The radio transmitter does not control the barrier but the transmitter led illuminates:** check that the transmitter is correctly memorised on the radio receiver. Ensure correct emission of the radio signal of the transmitter with the following empirical test: Press a key and place the led against the aerial of a standard radio switched on and tuned to FM at the frequency of 108.5Mhz or as close to this value as possible; a slight noise with a scratching pulse noise should be heard.
- **No manoeuvre is performed when a command is sent, and the OK led does not flash:** check that the barrier is powered via the mains at 230 V. Also check that the fuses F1 and F2 are not blown; in this case try to locate the cause of the fault and then replace with a version with the same specifications; see **fig. 55**.
- **No manoeuvre is performed when a command is sent, and the flashing light remains off:** check that the command is effectively received; if the sent command reaches the SS input, the OK led emits a double flash to indicate that the command is received.
- **The manoeuvre does not start and the courtesy light flashes a few times:** count the number of flashes and check against the data in **Table 19**.

**TABLE 19**

Diagnostics with programming led
<b>L1 fast flash:</b> device memory error
<b>L2 fast flash:</b> position memory error
<b>L3 fast flash:</b> parameter memory error
<b>L4 fast flash:</b> flashing short circuit or courtesy light
<b>L5 fast flash:</b> encoder counting error
<b>L6 fast flash:</b> inverted limit switch error or limit switch not freed by the set time
<b>L7 fast flash:</b> Master/Slave communication error
<b>L8 fast flash:</b> version error

- **The manoeuvre is performed, but shortly afterwards the pole blocks or performs a brief inversion:** the selected force value may be too low to enable the movement of the pole. Check the correct balancing of the pole; if necessary set a higher force value. **The sensitivity value could be too high:** lower the sensitivity value. If the activation takes place in the deceleration phase, it is necessary to decrease the braking intensity.
- **The manoeuvre is carried out at slow speed:** the manoeuvre does not start from one of the limit switches or the control unit does not recognise the limit switch. Check the electrical connection of the limit switch.
- **The Slave barrier does not perform the manoeuvres:** check that the “Master-Slave” learning phase has been carried out on both the barriers.
- **The manoeuvre is carried out in the opposite way:** check that the parameter “Direction of motor rotation” (parameter L8 - Table 7, paragraph 6.1) is set correctly, or invert the motor cables.

**PRODUCT DISPOSAL**

**This product is an integral part of the automation system it controls and must be disposed of along with it.**

As in the case of installation, likewise at the end of product lifetime the disassembly and scrapping operations must be performed by qualified personnel.

This product is made of various types of material, some of which can be recycled while others must be scrapped. Seek information on the recycling and disposal methods envisaged by the local regulations in your area for this product category.

**Caution!** – Some parts of the product may contain polluting or hazardous substances which, if released to the environment, may cause serious damage to the environment or to human health.

As indicated by the symbol alongside, disposal of this product with domestic waste is strictly prohibited. Separate the waste into categories for disposal, according to the methods established by current legislation in your area, or return the product to the retailer when purchasing a new version.



**Caution!** – Local legislation may impose heavy fines in the event of illegal disposal of this product.

## TECHNICAL CHARACTERISTICS OF THE PRODUCT

**WARNINGS:** • All technical specifications stated in this section refer to an ambient temperature of 20°C (± 5°C). • Nice S.p.A. reserves the right to apply modifications to products at any time when deemed necessary, maintaining the same intended use and functionality.

Model	M3BAR	M5BAR	M7BAR	L9BAR
<b>Product Type</b>	Road barrier for residential use complete with electronic control unit			
<b>Useful conduit (m)</b>	2,32 ÷ 2,82	3,17 ÷ 4,82	5 ÷ 7	7 ÷ 9
<b>Maximum torque on start-up (Nm)</b>	100	200	300	400
<b>Nominal torque (Nm)</b>	30	70	90	130
<b>Manoeuvre time (sec adjustable)</b>	1.5 – 3	3 – 6	6 – 10	8 – 12
<b>Maximum operating cycle frequency at nominal torque</b> (the control unit limits the work cycles to the maximum set in table T3)	600 continuous use	350 continuous use	200	150
<b>Durability</b>	See chapter 3 - paragraph 3.2.1			
<b>Power supply voltage</b>	230V 50/60Hz	230V 50/60Hz	230V 50/60Hz	230V 50/60Hz
<b>Power supply voltage /V1</b>	120V 50/60Hz	120V 50/60Hz	120V 50/60Hz	120V 50/60Hz
<b>Maximum power absorbed on start-up (W)</b>	150	110	110	160
<b>Maximum power at nominal torque (W)</b>	40	50	40	50
<b>Insulation class</b>	1	1	1	1
<b>Emergency power supply</b>	Yes (with PS224 accessory)			
<b>Photovoltaic power supply</b>	Yes (with SYKCE accessory)			
<b>FLASH output</b>	for 1 LUCYB, MLB or MLBT flashing light signal (12V – 21W)			
<b>LIGHT output</b>	for optional accessory XBA4 “pole lights”			
<b>SCA output</b>	for signal indicator 24V (max 10W)			
<b>Output for flashing light/ traffic light on cover</b>	with optional accessories XBA7 led flashing light or XBA8 led traffic light			
<b>BLUEBUS output</b>	1 output with maximum load of 12 Bluebus units			
<b>“STOP” input</b>	For normally closed, normally open, 8.2 kΩ constant resistance or OSE optical type contacts; in self-learning mode (a change from the memorised state prompts the “STOP” command)			
<b>“STEP-STEP” input</b>	For Normally Open contacts			
<b>“OPEN” input</b>	For Normally Open contacts			
<b>“CLOSE” input</b>	For Normally Open contacts			
<b>Radio connector</b>	SM connector for receiver types SMXI, SMXIS, OXI or OXIT			
<b>Radio AERIAL input</b>	50 Ω for RG58 or similar type cable			
<b>Loop Detector Inputs</b>	2 per loop with a circumference from 2 to 16 m			
<b>Nominal Loop inductance</b>	100 to 400 μH			
<b>Programmable functions</b>	8 ON-OFF functions and 8 adjustable functions (see tables 6 and 8) and additional programming through the Programming Unit and Oview Command			
<b>Functions in self-learning mode</b>	Self-learning of devices connected to the BlueBus output. Self-learning of “STOP” type devices (contacts NO, NC or 8.2kΩ resistance). Learning of pole opening and closing positions and calculation of the points of deceleration and partial opening. Self-learning of the “Version”			
<b>Operating temperature</b>	-20°C ... +55°C	-20°C ... +55°C	-20°C ... +55°C	-20°C ... +55°C
<b>Protection rating</b>	IP54	IP54	IP54	IP54
<b>Dimensions (mm)</b>	400 x 299 x 1215 h	400 x 299 x 1215 h	400 x 299 x 1215 h	500 x 299 x 1215 h
<b>Weight</b>	80 kg	80 kg	85 kg	98 kg

## CE declaration of conformity and declaration of incorporation of “partly-completed machinery”

**Declaration in accordance with Directives:  
1999/5/EC (R&TTE); 2014/30/UE (EMC); 2006/42/EC (MD) annex II, part B**

*Note - The content of this declaration corresponds to the declaration made in the official document filed in the offices of Nice S.p.A., and particularly the latest version thereof available prior to the printing of this manual. The text contained here has been adapted to meet editorial requirements. A copy of the original declaration may be requested from Nice S.p.A. (TV) Italy.*

Declaration number: **405/M-LBAR**

Revision: **12**

Language: **EN**

**Name of manufacturer:** NICE S.p.A.

**Address:** Via Pezza Alta N°13, 31046 Rustignè di Oderzo (TV) Italy

**Product type:** Electromechanical barrier lift

**Model / Type:** M3BAR, M5BAR, M7BAR, L9BAR, M3BARI, M5BARI, M7BARI, L9BARI

**Accessories:** XBA14, XBA15, XBA4, XBA6, XBA18, XBA9, XBA7, XBA8, PS224, OVIEW Unit

The undersigned, Roberto Griffa, in the role of Chief Executive Officer, declares under his sole responsibility, that the product specified above conforms to the provisions of the following directives:

- DIRECTIVE 1999/5/EC OF THE EUROPEAN PARLIAMENT AND COUNCIL of 9 March 1999 regarding radio equipment and telecommunications terminal equipment and the mutual recognition of their conformity, according to the following harmonised standards:
  - Protection of health (art. 3(1)(a)): EN 62479:2010
  - Electrical safety (art. 3(1)(a)): EN 60950-1:2006+A11:2009+A12:2011+A1:2010+A2:2013
  - Electromagnetic compatibility (art. 3(1)(b)): EN 301 489-1 V1.9.2:2011, EN 301 489-3 V1.6.1:2013
  - Radio spectrum (art. 3(2)): EN 300 330-2 V1.6.1:2015

According to Directive 1995/5/EC (Annex III), the product is of class

- DIRECTIVE 2014/30/EU OF THE EUROPEAN PARLIAMENT AND OF THE COUNCIL of 26 February 2014 on the harmonisation of the laws of the Member States relating to electromagnetic compatibility (recast), according to the following standards: EN 61000-6-2:2005, EN 61000-6-3:2007+A1:2011
- DIRECTIVE 2014/35/EU OF THE EUROPEAN PARLIAMENT AND OF THE COUNCIL of 26 February 2014 on the harmonisation of the laws of the Member States relating to the making available on the market of electrical equipment designed for use within certain voltage limits (recast) according to the following harmonised standards:  
EN 60335-1:2002 + A1:2004 + A11:2004 + A12:2006 + A2:2006 + A13:2008 + A14:2010 + A15:2011  
EN 60335-2-103:2003+A11:2009, EN 62233:2008

The product also complies with the following directives according to the requirements envisaged for “partly completed machinery”:

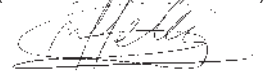
- DIRECTIVE 2006/42/EC OF THE EUROPEAN PARLIAMENT AND COUNCIL of 17 May 2006 related to machinery, and which amends the directive 95/16/EC (recast)
  - I declare that the pertinent technical documentation has been prepared in accordance with Annex VII B to Directive 2006/42/EC and that the following essential requirements have been met:  
1.1.1- 1.1.2- 1.1.3- 1.2.1-1.2.6- 1.5.1-1.5.2- 1.5.5- 1.5.6- 1.5.7- 1.5.8- 1.5.10- 1.5.11
  - The manufacturer agrees to send the national authorities pertinent information on the “partly completed machinery” in response to a motivated request without affecting its intellectual property rights.
  - If the “partly completed machinery” is operated in a European country with an official language other than the language used in this declaration, the importer must associate a translation with this declaration.
  - The “partly completed machinery” must not be operated until the final machine in which it is to be incorporated is declared to conform to the provisions of Directive 2006/42/EC, if applicable to it.

The parts of the product which are subject to the following standards comply with them:

EN 13241-1:2003+A1:2011, EN 12445:2000, EN 12453:2000, EN 12978:2003+A1:2009

Oderzo, 23 January 2017

Ing. **Roberto Griffa**  
(Chief Executive Officer)







Before using the automation for the first time, ask the installer to explain the origin of residual risks and devote a few minutes to reading this user instruction and warning manual given to you by the installer. Keep the manual for reference when in doubt and pass it on to new owners of the automation.

**IMPORTANT! – Your automation is a machine that performs your commands faithfully; negligent or improper use may constitute a hazard:**

- Never activate automation controls if persons, animals or objects are present in the operating range.
- Never touch parts of the automation while the pole is moving!
- Transit is only permitted if the pole is completely open and stationary!

## Warnings

**1 - Children:** An automation system guarantees a high level of safety, using its detection systems to prevent movement in the presence of persons or objects, and ensuring constantly foreseeable and safe activation. Nonetheless, it is advisable to ensure that children do not play in the vicinity of the automation. This is not a toy!

**2 -** This product is not designed to be used by persons (including children) whose physical, sensorial or mental capacities are reduced, or with lack of experience or skill, unless suitable instructions regarding use of the product have been provided by a person responsible for safety or under supervision of the latter.

**3 - Malfunctions:** if the automation is seen to perform abnormally, disconnect the electrical power supply from the system and manually release the gearmotor. Never attempt to perform repairs; contact your local installer for assistance. In the meantime the system can be used as a manual access point, after releasing the gearmotor as described below in this document. **In the event of breakage or a power failure**, while waiting for the installer or the electrical power supply to return, if the buffer battery is not fitted, the automation can still be used. Manually release the gearmotor (see step 9 - Gearmotor manual releasing and locking) and move the pole manually as required.

**4 - Safety devices disabled:** the barrier can be operated even when the safety device on the barrier does not work correctly:

- Activate the barrier command (with the transmitter or key-operated selector switch, etc.); if all is in working order, the pole opens or closes normally; otherwise the flashing light emits a number of flashes and the manoeuvre is not started (the number of flashes depends on the reason for which the manoeuvre does not start).
- In this case, the user must press and hold the command within three seconds.
- After approx. 2 seconds the barrier will start to operate in “hold-to-run” mode, i.e. the pole will continue to move while the command is activated; **THE POLE STOPS AS SOON AS THE COMMAND IS RELEASED.**

**If the safety devices are out of service, the automation must be repaired as soon as possible.**

**5 -** Even if you possess the skills, never modify the system or programming and setting parameters of the automation: this is the responsibility of the installer.

**6 -** Testing, periodic maintenance and any repairs must be documented by the person performing the operations and the relevant documents must be kept by the system owner. The only operations that can be performed by the user periodically are to clean the photocell lenses and the automation. To prevent anyone from activating the barrier, release the automation system before proceeding with the operations (as described below). Use a slightly damp cloth to clean.

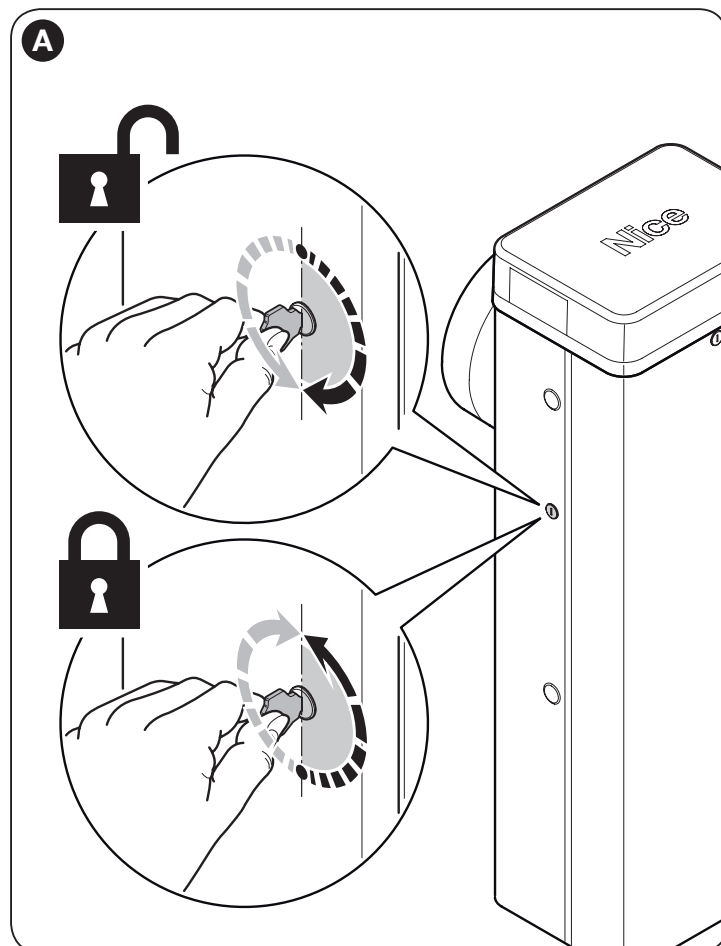
**7 - Disposal:** At the end of the automation’s lifetime, ensure that it is disposed by qualified personnel and that the materials are recycled or scrapped according to current local standards.

**8 - Gearmotor manual release and locking:** The gearmotor is equipped with a mechanical system that enables manual opening and

closing of the pole. These operations are required in the event of a power failure or malfunctions.

**IMPORTANT! – The gearmotor release and locking operations must be performed only when the pole is horizontal and stationary.**

To manually lock and release the barrier, insert the key supplied and turn it by 180° (**fig. A**); the key can be turned to the left or to the right.





# Maintenance schedule

## (to be given to the final user)

### MAINTENANCE REGISTER

**Important** – This register must be given to the automation owner after compilation of all required parts.

This register must list all maintenance operations, repairs and modifications performed. The Register must be updated on each operation and stored in a safe place for future inspections by authorised organisations.

This Maintenance Register refers to the following automation:

mod. MBAR and L9BAR - serial n° ..... - date of installation ..... - at .....

The following enclosed documents are part of the Register:

- 1) - Maintenance schedule
- 2) - .....
- 3) - .....
- 4) - .....
- 5) - .....
- 6) - .....

According to the enclosed document “Maintenance Schedule”, maintenance operations must be performed at the following intervals: **every 6 months** or **50,000 manoeuvre cycles**, depending on which event occurs first.

### MAINTENANCE SCHEDULE

**Important! – System maintenance must be performed by technical and qualified personnel, in strict observance of safety standards as envisaged by current legislation and the safety precautions stated in Chapter 1 - “General safety warnings and precautions”, at the start of this manual.**

In general, the road barrier does not require special maintenance; however, regular checks over time will guarantee system efficiency and ensure correct operation of the safety systems installed.

If the road barrier is equipped with other devices not mentioned in this manual, follow the instructions in the relative maintenance schedules. Considering normal domestic use of the automation, periodic checks of the system are recommended: every 6 months or 50,000 manoeuvres.

Note also that in the event of spring breakage, the road barrier still remains compliant with the requirement in 4.3.4 of the standard EN 12604: 2000.

- The pole balancing system must be checked at least twice a year, preferably when the season changes.

At the envisaged interval, the following checks and replacements must be made for maintenance.

- 1 Disconnect any electrical power source.
- 2 Check the state of deterioration of all the materials of the barrier, paying special attention to cases of corrosion or oxidation of the structural parts; replace the parts that do not provide sufficient guarantee.
- 3 Check that the screw connections are adequately tightened (especially those of the balancing screw)
- 4 Check the absence of clearance between the balancing lever and the output shaft. If this is the case, tighten the central screw down.
- 5 Lubricate the rod end of the balancing screw and the lower bolt.
- 6 In the M7BAR and L9BAR versions, check the perfect locking between the two pole segments. Use the expansion screws if necessary.
- 7 Position the pole in the vertical position and make sure that the pitch between the loops of the balancing screw is constant without deformations.
- 8 Release and check the correct balancing of the pole and any obstacle during manual opening and closing.
- 9 Release again and carry out the test procedure.
- 10 **Check protection against the risk of lifting:** on automations with vertical movement, it must be ensured that there is no risk of lifting. This test can be performed as follows: hang a weight of 20 kg mid-way along the pole (for example, a sack of gravel), activate an Opening manoeuvre and ensure that during operation the pole does not exceed the height of 50 cm from the closing position. If the pole exceeds this height, reduce the motor force (see chapter 6 - Table 7).

**11** If hazardous situations generated by the moving poles are protected by means of impact force limitation, measure the force as specified in the standard EN 12445. If motor force control is used as auxiliary function with the system for reduction of impact force, test and identify the setting that obtains the best results.

**12 Check efficiency of the release system:** place the pole in the Closing position and manually release the gearmotor (see paragraph 3.6) ensuring that there is no difficulty with this procedure. Ensure that the manual force required to move the pole on opening is no greater than 200 N (approx. 20 kg); the force is measured perpendicular to the pole and at 1 m from the rotation axis. Lastly, ensure that the key required for manual release is available in the vicinity of the automation.

**13 Power supply disconnection system check:** by using the power disconnect device, and disconnecting any buffer batteries, ensure that all leds on the control unit are off and that the rod remains stationary when any commands are sent. Check efficiency of the locking device to prevent inadvertent and/or unauthorised connection.



Date	<b>Description of operation</b> <small>(describe checks, adjustments, repairs, modifications etc.)</small>	Signature of technician	Signature of owner
	<input type="checkbox"/> That all phases as envisaged in the maintenance schedule have been performed.		



# Sommario

<b>1 - AVVERTENZE GENERALI: SICUREZZA - INSTALLAZIONE - USO</b> .....	1
<b>2 - DESCRIZIONE DEL PRODOTTO E DESTINAZIONE D'USO</b> .....	3
<b>3 - INSTALLAZIONE</b> .....	3
3.1 - Verifiche preliminari all'installazione .....	3
3.2 - Limiti d'impiego del prodotto .....	3
3.2.1 - Durabilità del prodotto .....	3
3.3 - Lavori preliminari all'installazione .....	4
3.3.1 - Stabilire lo schema col quale posizionare ogni componente dell'impianto .....	4
3.3.2 - Stabilire il percorso dei cavi di collegamento .....	4
3.3.3 - a) - Posizionare la molla di bilanciamento in relazione al peso dell'asta, completa degli accessori previsti. b) - Impostare la direzione di chiusura dell'asta: a destra o a sinistra del motore .....	4
3.4 - Fissaggio dell'alzabarriera .....	5
3.4.1 - Se la superficie di appoggio è esistente .....	5
3.4.2 - Se la superficie di appoggio non è esistente .....	5
3.5 - Installazione dell'asta e degli accessori previsti .....	5
3.5.1 - Assemblaggio del supporto per l'asta .....	5
3.5.2 - Assemblaggio dell'asta formata da un pezzo unico, intero o tagliato .....	5
3.5.3 - Assemblaggio dell'asta formata da due pezzi, interi o tagliati .....	6
3.5.4 - Installazione previsti per l'asta .....	6
3.6 - Sbloccare e bloccare manualmente l'alzabarriera .....	6
3.6.1 - Come spostare il cilindro serratura per lo sblocco/blocco manuale .....	6
3.7 - Regolazione dei fermi meccanici dei finecorsa .....	6
3.8 - Bilanciamento dell'asta .....	6
3.8.1 - Bilanciamento asta M3BAR / M5BAR / M7BAR .....	6
3.8.2 - Bilanciamento asta L9BAR .....	6
<b>4 - COLLEGAMENTI ELETTRICI</b> .....	6
4.1 - Descrizione dei collegamenti elettrici .....	6
4.2 - Prima accensione e verifica dei collegamenti .....	7
4.3 - Funzioni preimpostate .....	7
4.4 - Apprendimento dei dispositivi collegati .....	7
4.5 - Apprendimento delle posizioni di Apertura e di Chiusura .....	7
4.6 - Verifica del movimento dell'asta .....	7
4.7 - Collegamento di un ricevitore radio .....	8
4.8 - Collegamento luci dell'asta (accessorio opzionale) .....	8
4.9 - Collegamento lampeggiante a led mod. XBA7 oppure semaforo a led mod. XBA8 (accessori opzionali) .....	8
4.10 - Collegamento di altri dispositivi .....	8
4.10.1 - Unità di programmazione Oview .....	8
4.10.2 - Batteria tampone mod. PS224 (accessorio) .....	8
4.10.3 - Sistema Solemyo (alimentazione fotovoltaica) .....	8
<b>5 - COLLAUDO E MESSA IN SERVIZIO</b> .....	9
5.1 - Collaudo .....	9
5.2 - Messa in servizio .....	9
<b>6 - PROGRAMMAZIONE DELLA CENTRALE DI COMANDO</b> .....	10
6.1 - Programmazione primo livello (ON-OFF) .....	10
6.2 - Programmazione secondo livello (parametri regolabili) .....	10
<b>7 - APPROFONDIMENTI</b> .....	12
7.1 - Cancellazione totale della memoria della centrale di comando .....	12
7.2 - Altre funzioni .....	12
7.3 - Aggiungere o rimuovere dispositivi .....	13
7.3.1 - Ingresso Bluebus .....	13
7.3.2 - Fotocellule .....	13
7.3.3 - Selettore digitale MOTB e lettore di prossimità per tessere a transponder MOMB .....	13
7.3.4 - Ingresso STOP .....	13
7.4 - Diagnostica .....	14
7.4.1 - Segnalazioni della centrale di comando .....	14
7.4.2 - Segnalazioni del lampeggiante .....	16
7.5 - Loop Detector .....	16
7.5.1 - Funzionamento .....	16
7.5.2 - Installazione .....	16
7.6 - Modalità Master - Slave .....	18
7.6.1 - Installazione e collegamenti elettrici .....	18
<b>8 - COSA FARE SE... (guida alla risoluzione dei problemi)</b> .....	19
• Smaltimento del prodotto .....	19
• Caratteristiche tecniche del prodotto .....	20
• Dichiarazione di conformità: allegato I (allegato ritagliabile) .....	21
• Manuale per l'uso (allegato ritagliabile) .....	23
• Piano di manutenzione (allegato ritagliabile) .....	25
• IMMAGINI .....	I - XIX

Le seguenti avvertenze sono trascritte direttamente dalle Norme e per quanto possibile, applicabili al prodotto in oggetto.

## 1 AVVERTENZE GENERALI: SICUREZZA - INSTALLAZIONE - USO

### 1.1 - Avvertenze per la sicurezza

**ATTENZIONE Istruzioni importanti per la sicurezza. Seguire tutte le istruzioni poiché l'installazione non corretta può causare gravi danni**

**ATTENZIONE Istruzioni importanti per la sicurezza. Per la sicurezza delle persone è importante seguire queste istruzioni. Conservare queste istruzioni**

- Prima di iniziare l'installazione verificare le "Caratteristiche tecniche del prodotto", in particolare se il presente prodotto è adatto ad automatizzare la vostra parte guidata. Se non è adatto, NON procedere all'installazione
- Il prodotto non può essere utilizzato prima di aver effettuato la messa in servizio come specificato nel capitolo "Collaudo e messa in servizio"

**ATTENZIONE Secondo la più recente legislazione europea, la realizzazione di un'automazione deve rispettare le norme armonizzate previste dalla Direttiva Macchine in vigore, che consentono di dichiarare la presunta conformità dell'automazione. In considerazione di ciò, tutte le operazioni di allacciamento alla rete elettrica, di collaudo, di messa in servizio e di manutenzione del prodotto devono essere effettuate esclusivamente da un tecnico qualificato e competente!**

- Prima di procedere con l'installazione del prodotto, verificare che tutto il materiale da utilizzare sia in ottimo stato ed adeguato all'uso
- Il prodotto non è destinato a essere usato da persone (bambini compresi) le cui capacità fisiche, sensoriali o mentali siano ridotte, oppure con mancanza di esperienza o di conoscenza
- I bambini non devono giocare con l'apparecchio
- Non permettere ai bambini di giocare con i dispositivi di comando del prodotto. Tenere i telecomandi lontano dai bambini

**ATTENZIONE** Al fine di evitare ogni pericolo dovuto al riarmo accidentale del dispositivo termico di interruzione, questo apparecchio non deve essere alimentato con un dispositivo di manovra esterno, quale un temporizzatore, oppure essere connesso a un circuito che viene regolarmente alimentato o disalimentato dal servizio

- Nella rete di alimentazione dell'impianto prevedere un dispositivo di disconnessione (non in dotazione) con una distanza di apertura dei contatti che consenta la disconnessione completa nelle condizioni dettate dalla categoria di sovratensione III
- Durante l'installazione maneggiare con cura il prodotto evitando schiacciamenti, urti, cadute o contatto con liquidi di qualsiasi natura. Non mettere il prodotto vicino a fonti di calore, né esporlo a fiamme libere. Tutte queste azioni possono danneggiarlo ed essere causa di malfunzionamenti o situazioni di pericolo. Se questo accade, sospendere immediatamente l'installazione e rivolgersi al Servizio Assistenza
- Il produttore non si assume alcuna responsabilità per danni patrimoniali, a cose o a persone derivanti dalla non osservanza delle istruzioni di montaggio. In questi casi è esclusa la garanzia per difetti materiali
- Il livello di pressione acustica dell'emissione ponderata A è inferiore a 70 dB(A)
- La pulizia e la manutenzione destinata ad essere effettuata dall'utilizzatore non deve essere effettuata da bambini senza sorveglianza
- Prima degli interventi sull'impianto (manutenzione, pulizia), disconnettere sempre il prodotto dalla rete di alimentazione
- Verificare frequentemente l'impianto, in particolare controllare i cavi, le molle e i supporti per rilevare eventuali sbilanciamenti e segni di usura o danni. Non usare se è necessaria una riparazione o una regolazione, poiché un guasto all'installazione o un bilanciamento dall'automazione non corretto possono provocare lesioni
- Il materiale dell'imballo del prodotto deve essere smaltito nel pieno rispetto della normativa locale
- Tenere le persone lontane dalla porta quando questa viene movimentata mediante gli elementi di comando
- Durante l'esecuzione della manovra controllare l'automazione e mantenere le persone lontano da essa, fino al termine del movimento
- Non comandare il prodotto se nelle sue vicinanze ci sono persone che svolgono lavori sull'automazione; scollegate l'alimentazione elettrica prima di far eseguire questi lavori
- Se il cavo di alimentazione è danneggiato, esso deve essere sostituito dal costruttore o dal suo servizio di assistenza tecnica o comunque da una persona con qualifica simile, in modo da prevenire ogni rischio

### 1.2 - Avvertenze per l'installazione

- Prima di installare il motore di movimentazione, controllare che tutti gli organi meccanici siano in buone condizioni, regolarmente bilanciati e che l'automazione possa essere manovrata correttamente
- Assicurarsi che gli elementi di comando siano tenuti lontani dagli organi in movimento consentendone comunque una visione diretta. A meno che non si utilizzi un selettore, gli elementi di comando vanno installati ad un'altezza minima di 1,5 m e non devono essere accessibili
- Se il movimento di apertura è controllato da un sistema antincendio, assicurarsi che eventuali finestre maggiori di 200 mm vengano chiuse dagli elementi di comando
- Prevenire ed evitare ogni forma di intrappolamento tra le parti in movimento e quelle fisse durante le manovre

- Apporre in modo fisso e permanente l'etichetta riguardante la manovra manuale vicino all'elemento che consente la manovra stessa
- Dopo aver installato il motore di movimentazione assicurarsi che il meccanismo, il sistema di protezione ed ogni manovra manuale funzionino correttamente

### 1.3 - Avvertenze particolari in relazione alle Direttive Europee applicabili al prodotto

#### • Direttiva "Prodotti da Costruzione":

Avvertenze particolari per questo prodotto in relazione al Regolamento Prodotti da Costruzione 305/2011:

- L'installazione completa di questo prodotto, così come descritta in questo manuale di istruzioni e per alcuni tipi di uso (ad esempio escluso l'uso solo per veicoli), possono farlo rientrare nel campo di applicazione del Regolamento 305/2011 e della relativa norma armonizzata EN 13241-1.

- Nel paragrafo 1.3.1 sono indicati tutti i criteri di installazione necessari affinché il prodotto risponda ai requisiti essenziali del Regolamento 305/2011; chi esegue l'installazione dovrà verificare ed assicurarsi che tutti questi criteri siano stati scrupolosamente rispettati.

- Potrebbero non essere garantiti i requisiti essenziali se l'alzabarriera stradale è installato e usato senza il rispetto di uno o più di questi criteri. **È vietato l'uso del prodotto in queste situazioni finché chi esegue l'installazione non abbia verificato la rispondenza ai requisiti previsti dalla direttiva**; in questo caso l'etichetta applicata sul prodotto dovrà essere immediatamente rimossa e non potrà essere utilizzata la "Dichiarazione CE di Conformità" dell'allegato I presente in questo manuale. Come conseguenza chi esegue l'installazione diventa, a sua volta il fabbricante del prodotto "barriera automatica" e dovrà rispettare quanto previsto dal Regolamento 305/2011 e della relativa norma armonizzata EN 13241-1. In questo caso l'alzabarriera stradale deve essere considerato come "quasi macchina" e potrà essere utilizzata (per essere inserita nel fascicolo tecnico), la "Dichiarazione di Conformità" dell'allegato II.

#### • Direttiva "Macchine":

- Nel paragrafo 1.3.1 sono indicati tutti i criteri di installazione necessari affinché il prodotto risponda ai requisiti essenziali della Direttiva Macchine. Chi esegue l'installazione dovrà verificare ed assicurarsi che tutti questi criteri siano stati scrupolosamente rispettati.

- Potrebbero non essere garantiti i requisiti essenziali se l'alzabarriera stradale è installato ed usato senza il rispetto di uno o più di questi criteri. **È vietato l'uso del prodotto in queste situazioni finché chi esegue l'installazione non abbia verificato la rispondenza ai requisiti previsti dalla direttiva**; in questo caso non potrà essere utilizzata la "Dichiarazione CE di Conformità: allegato I". Come conseguenza chi esegue l'installazione diventa, a sua volta, il fabbricante del prodotto "barriera automatica" e dovrà rispettare quanto previsto dalla Direttiva Macchine. Il fabbricante deve eseguire l'analisi dei rischi, che comprende anche l'elenco dei requisiti essenziali di sicurezza riportati "nell'allegato I della Direttiva Macchine", indicando le relative soluzioni adottate. Si ricorda che l'analisi dei rischi è uno dei documenti che costituiscono il "fascicolo tecnico" dell'automazione. Questo, dev'essere compilato da un installatore professionista, e potrà essere utilizzata la "Dichiarazione di Conformità" dell'allegato II da compilare a carico di chi esegue l'installazione dell'alzabarriera stradale.

#### Avvertenze particolari sull'idoneità all'uso di questo prodotto in relazione alla Direttiva "Macchine"; da considerare nel caso l'installatore diventi il fabbricante del prodotto.

L'alzabarriera stradale viene immesso sul mercato come "quasi macchina" e quindi costruito per essere incorporato in una macchina o per essere assemblato

con altri macchinari al fine di realizzare "una macchina" ai sensi della Direttiva Macchine solo in abbinamento agli altri componenti e nei modi così come descritto nel presente manuale di istruzioni. Come previsto dalla Direttiva Macchine si avverte che non è consentita la messa in servizio di questo prodotto finché il costruttore della macchina, in cui questo prodotto è incorporato, non l'ha identificata e dichiarata conforme alla Direttiva Macchine.

#### • Direttiva "Bassa Tensione":

Avvertenze particolari sull'idoneità all'uso di questo prodotto in relazione alla Direttiva "Bassa Tensione".

Questo prodotto risponde ai requisiti previsti dalla Direttiva "Bassa Tensione" se impiegato per l'uso e nelle configurazioni previste in questo manuale di istruzioni ed in abbinamento con gli articoli presenti nel catalogo prodotti di Nice S.p.A.

Potrebbero non essere garantiti i requisiti se il prodotto è usato in configurazioni o con altri prodotti non previsti; è vietato l'uso del prodotto in queste situazioni finché chi esegue l'installazione non abbia verificato la rispondenza ai requisiti previsti dalla direttiva.

#### • Direttiva "Compatibilità Elettromagnetica":

Avvertenze particolari sull'idoneità all'uso di questo prodotto in relazione alla Direttiva "Compatibilità Elettromagnetica".

Questo prodotto è stato sottoposto alle prove relative alla compatibilità elettromagnetica nelle situazioni d'uso più critiche, nelle configurazioni previste in questo manuale di istruzioni ed in abbinamento con gli articoli presenti nel catalogo prodotti di Nice S.p.A.

Potrebbe non essere garantita la compatibilità elettromagnetica se il prodotto è usato in configurazioni o con altri prodotti non previsti; è vietato l'uso del prodotto in queste situazioni finché chi esegue l'installazione non abbia verificato la rispondenza ai requisiti previsti dalla direttiva.

#### 1.3.1 - Criteri d'installazione e avvertenze particolari in relazione ai requisiti essenziali

Questo prodotto, se installato correttamente, rispetta i requisiti essenziali previsti dal Regolamento 305-2011 secondo quanto richiesto della norma armonizzata EN 13241-1, così come indicato nella **Tabella 1** e dalla Direttiva europea sulle "macchine".

**Attenzione!** – Se l'alzabarriera stradale fosse destinato all'uso per transito esclusivamente veicolare, verrebbe escluso dal campo di applicazione della EN 13241-1; in questo caso, il rispetto di alcuni dei requisiti riportati nella Tabella A potrebbe non essere obbligatorio. Il transito può essere considerato "esclusivamente veicolare" quando per gli altri tipi (ad esempio i pedoni) vi è un espresso divieto, ad esempio con adeguata segnaletica, e se altri tipi sono richiesti vi sia adeguato spazio nelle immediate vicinanze.

#### • Rilascio di sostanze pericolose:

Il prodotto non contiene e/o non rilascia sostanze pericolose in conformità a quanto previsto dalla norma EN 13241-1 e secondo l'elenco delle sostanze presente nel sito internet della Comunità Europea

**Avvertenza particolare per garantire il mantenimento del requisito** – È fondamentale che anche gli altri materiali utilizzati nell'installazione, ad esempio i cavi elettrici, siano conformi a questo requisito

#### • Resistenza al carico del vento

Nella **Tabella 1a** è indicata la resistenza dell'asta in dotazione alla pressione differenziale del vento. Le prove sono state eseguite con l'asta dotata di profilo paracolpi; altri accessori potrebbero aumentare la superficie esposta e quindi ridurne la resistenza al carico del vento

#### • Apertura sicura per porte a movimento verticale

TABELLA 1 - Requisiti essenziali per la marcatura CE (secondo il prospetto ZA.1 della norma EN 13241-1)		
Caratteristiche essenziali	Punto della norma	Risultato
Resistenza all'acqua	4.4.2	NPD*
Rilascio di sostanze pericolose	4.2.9	Conforme
Resistenza al carico del vento	4.4.3	Conforme
Resistenza termica	4.4.5	NPD*
Permeabilità all'aria	4.4.6	NPD*
Apertura sicura per porte a movimento verticale	4.2.8	Conforme
Definizione della geometria dei componenti in vetro	4.2.5	NPD*
Resistenza meccanica e stabilità	4.2.3	Conforme
Forze di manovra per chiusure motorizzate	4.3.3	Conforme
Durabilità della resistenza all'acqua, della resistenza termica e della permeabilità all'aria	4.4.7	NPD*

\* NPD = Prestazione non dichiarata, quando il prodotto non offre questa prestazione, ad esempio "Permeabilità all'aria", oppure quando il requisito è non applicabile, ad esempio "Definizione della geometria dei componenti in vetro".

TABELLA 1a				
Barriera:	M3BAR	M5BAR	M7BAR	L9BAR
Classe	4	4	2	2*
Pressione del vento [Pa]	≥ 1000	≥ 1000	≥ 450	≥ 450
Velocità max vento [km/h]	155	155	104	104
Termine descrittivo	Uragano	Uragano	Tempesta violenta / Fortunale	Tempesta violenta / Fortunale

\* La Classe 2 è stata raggiunta con l'utilizzo dell'accessorio mod. WA11

Il prodotto non provoca movimenti incontrollati o la caduta dell'asta in caso di guasto di un singolo componente del sistema di sospensione o di bilanciamento (molle).

**Avvertenze particolari per garantire il mantenimento dei requisiti:**

- Eseguire l'installazione seguendo scrupolosamente tutte le indicazioni descritte nei capitoli 3 - Installazione e 5 - Collaudo e messa in servizio.
- Assicurarsi che venga organizzato un piano di manutenzione che segua scrupolosamente quanto previsto nel capitolo "Piano di manutenzione" (inserto staccabile a fine manuale).

• **Resistenza meccanica e stabilità**

Il prodotto è progettato e costruito affinché nell'utilizzo normale, le forze applicate, gli impatti e il logorio subito non lo danneggino né pregiudichino le sue prestazioni meccaniche.

**Avvertenza:** vedere quanto indicato per il requisito "Apertura sicura per porte a movimento verticale".

• **Forze di manovra per chiusure motorizzate**

Le forze di funzionamento esercitate dall'asta relativamente ai rischi di schiacciamento e impatto sono protetti mediante uno di questi tre metodi:

**1 Per il funzionamento con "comando senza autoritenuta" (uomo presente):** come specificato in EN 12453. In questo caso il pulsante di comando deve essere posto a vista dell'automazione e se accessibile al pubblico il comando non deve essere loro disponibile, ad esempio utilizzando un selettore a chiave.

**2 Per il funzionamento "semiautomatico":** attraverso la limitazione delle forze come specificato nella EN 12453.

**3 Per il funzionamento "automatico":** attraverso la limitazione delle forze come specificato nella EN 12453; in questo caso deve essere obbligatoriamente installato almeno una coppia di fotocellule come indicato nella fig. 1.

**Avvertenza particolare per garantire il mantenimento del requisito:** vedere quanto indicato per il requisito "Apertura sicura per porte a movimento verticale".

- XBA7 - Lampeggiante a led innestabile all'interno del coperchio
- XBA8 - Semaforo a led innestabile all'interno del coperchio
- XBA9 - Giunto universale
- XBA10 - Attacco pivottante
- XBA11 - Snodo per asta
- WA11 - Appoggio regolabile per aste (obbligatorio per L9BAR)
- WA12 - Appoggio mobile
- WA13 - Rastrelliera, L. 2000 mm
- XBA13 - Kit gomma paracolpi
- XBA14 - Asta in alluminio verniciato bianco, L. 4150 mm
- XBA15 - Asta in alluminio verniciato bianco, L. 3150 mm
- XBA16 - Piastra di fondazione MBAR
- XBA17 - Piastra di fondazione L9BAR
- XBA18 - Luci per asta L9BAR

## 3 INSTALLAZIONE

### 3.1 - Verifiche preliminari all'installazione

Prima di procedere all'installazione, è necessario verificare l'integrità dei componenti del prodotto, l'adeguatezza del modello scelto e l'idoneità dell'ambiente destinato all'installazione:

- Verificare che tutto il materiale da utilizzare sia in ottimo stato e adatto all'uso previsto.
- Verificare che sia possibile rispettare tutti i limiti d'impiego del prodotto (vedere paragrafo 3.2).
- Verificare che l'ambiente scelto per l'installazione sia compatibile con l'ingombro totale del prodotto (fig. 2).
- Verificare che la superficie scelta per l'installazione dell'alzabarriera sia solida e possa garantire un fissaggio stabile.
- Verificare che la zona di fissaggio non sia soggetta ad allagamenti; eventualmente prevedere il fissaggio dell'alzabarriera rialzata da terra.
- Verificare che lo spazio intorno all'alzabarriera consenta una facile e sicura esecuzione delle manovre manuali.
- Verificare che lungo la traiettoria del movimento dell'asta non vi siano ostacoli che possano impedire le manovre di apertura e chiusura.
- Verificare che ciascun dispositivo da installare sia collocato in una posizione protetta e al riparo da urti accidentali.

### 3.2 - Limiti d'impiego del prodotto

Prima di eseguire l'installazione del prodotto, verificare che tutti i valori riportati nel capitolo "Caratteristiche tecniche del prodotto" siano compatibili con l'uso previsto.

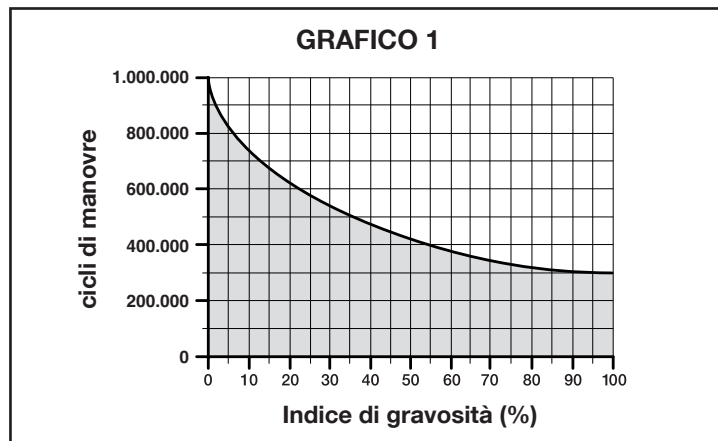
- Verificare che la durabilità stimata (vedere paragrafo 3.2.1) sia compatibile con l'uso previsto.
- Verificare che sia possibile rispettare tutte le limitazioni, le condizioni e le avvertenze e riportate nel presente manuale.

#### 3.2.1 - Durabilità del prodotto

La durabilità, è la vita economica media del prodotto. Il valore della durabilità è fortemente influenzato dall'indice di gravosità delle manovre: cioè, la somma di tutti i fattori che contribuiscono all'usura del prodotto, vedere **Tabella 2**.

Per eseguire la stima della durabilità del vostro automatismo procedere nel modo seguente:

- 01.** Sommare i valori delle voci nella **Tabella 2** relative alle condizioni presenti nell'impianto;
- 02.** Nel **Grafico 1** dal valore appena trovato, tracciare una linea verticale fino ad incrociare la curva; da questo punto tracciare una linea orizzontale fino ad incrociare la linea dei "cicli di manovre". Il valore determinato è la durabilità stimata del vostro prodotto.



I valori di durabilità indicati nel grafico, si ottengono solo con il rispetto rigoroso del piano manutenzione, vedere capitolo "Piano di manutenzione". La stima di durabilità viene effettuata sulla base dei calcoli progettuali e dei risultati di prove effettuate su prototipi. Quindi, essendo una stima, non rappresenta alcuna garanzia esplicita sull'effettiva durata del prodotto.

## 2 DESCRIZIONE DEL PRODOTTO E DESTINAZIONE D'USO

MBAR ed L9BAR sono alzabarriere stradali elettromeccaniche per uso residenziale e industriale; controllano l'Apertura e la Chiusura di un passaggio carraio con larghezza da 3 a 8 metri.

		ACCESSORI INSTALLABILI					
		Asta	Gomma	Luci	Rastrelliera	Appoggio mobile	
ARMADIO	M3BAR	3 m	si	si	—	—	
	M5BAR	4 m	si	si	si (1 pezzo)	si	
		5 m	si	si	—	—	
	M7BAR	5 m	si	si	si (2 pezzi)	si	
		3+3 m	si	si	si (2 pezzi)	si	
	L9BAR	3+4 m	si	si	—	—	
		3+4 m	si	si	si (3 pezzi)	si	
		4+4 m	si	si	si (3 pezzi)	si	
			4+5 m	si	si	—	—

**ATTENZIONE! – Qualsiasi altro uso diverso da quello descritto e in condizioni ambientali diverse da quelle riportate in questo manuale è da considerarsi improprio e vietato!**

Queste barriere sono dotate di un motoriduttore elettromeccanico con motore a 24 V, con incorporato Loop Detector per 2 spire magnetiche, con sistema di fincorsa elettrico e con segnalatore lampeggiante incorporabile nel coperchio (accessorio opzionale). Questi due modelli, possono essere installati come barriere contrapposte in modalità "Master-Slave" per coprire la superficie di un passaggio carraio superiore a 8 metri (vedere paragrafo 7.5).

La centrale di comando è predisposta per il collegamento a dispositivi appartenenti al Sistema Opera di Nice ed al sistema di alimentazione ad energia solare "Solemyo" (vedere paragrafo 4.10.3).

Le barriere funzionano mediante energia elettrica e, in caso di mancanza di quest'ultima (black-out elettrico) è possibile effettuare lo sblocco manuale dell'asta e muoverla manualmente. In alternativa è possibile utilizzare la batteria tampone modello PS224 (accessorio opzionale - vedere paragrafo 4.10.2), che garantisce all'automatismo di eseguire alcune manovre nelle prime ore di assenza di alimentazione elettrica. Se si desidera prolungare questo periodo oppure il numero di manovre eseguibili, occorre attivare la funzione "Stand by" (vedere tabella 6).

Note importanti alla consultazione del manuale

- In questo manuale, la dicitura "barriera stradale" fa riferimento ai due prodotti "MBAR" e "L9BAR".

- Gli accessori citati nel manuale sono opzionali.

**Elenco accessori disponibili:**

- XBA4 - Luci asta M3BAR ed M5BAR
- XBA5 - Asta in alluminio verniciato bianco, L. 5150 mm
- XBA6 - Luci asta M7BAR

**Esempio del calcolo di durabilità dell'alzabarriera stradale (fare riferimento alla Tabella 2 e al Grafico 1):** M5BAR con appoggio mobile (indice di gravosità pari al 10%) - Velocità livello 3 (indice di gravosità pari al 10%) - Frenatura (indice di

gravosità pari al 10%): **indice di gravosità totale = 30%**  
**La durabilità stimata è di circa 550.000 cicli di manovra.**

TABELLA 2	Indice di gravosità			
	M3BAR	M5BAR	M7BAR	L9BAR
Snodo per asta (XBA11)	20	15	—	—
Velocità livello 3	15	10	15	15
Velocità livello 2	0	0	10	10
Interruzione manovra da Foto > 10%	15	10	15	15
Interruzione manovra da Alt > 10%	10	10	15	15
Appoggio mobile (WA12)	—	10	10	10
Frenatura	10	10	10	10
Forza uguale a 7 o 8	10	10	10	10
Forza uguale a 5 o 6	5	5	5	5
Presenza di salsedine	10	10	10	10
Presenza di polvere o sabbia	5	5	5	5
Rastrelliera	—	5	5	5
Temperatura ambiente maggiore di 40° e minore di 0° C	5	5	5	5

### 3.3 - Lavori preliminari all'installazione

#### 3.3.1 - Stabilire lo schema col quale posizionare ogni componente dell'impianto

Stabilire la posizione approssimativa in cui verrà installato ciascun componente previsto nell'impianto, facendo riferimento allo schema standard mostrato in **fig. 1**. Nello schema sono riportati tutti i componenti presenti nell'imballo del prodotto (**fig. 3**): **[a]** barriera stradale con centrale di comando incorporata; **[b]** supporto e coperchio asta; **[c]** n°2 box per fotocellule; **[d]** innesto in alluminio lungo 300 mm.; **[e]** tappo asta fisso; n°2 innesti per gomma paracolpi; n°2 innesti senza gomma paracolpi; **[f]** chiavi per lo sblocco e il blocco manuale dell'asta; chiavi per serratura del coperchio; minuteria metallica (viti, rondelle, ecc.); **[g]** piastra di fondazione; **[h]** n° 4 zanche di fissaggio; **[i]** innesto in alluminio lungo 700 mm..

#### 3.3.2 - Stabilire il percorso dei cavi di collegamento

**ATTENZIONE!** – Posizionare le estremità dei tubi per il passaggio dei cavi elettrici, in prossimità dei punti in cui è stato previsto il fissaggio dei vari dispositivi. **Nota:** I tubi hanno lo scopo di proteggere i cavi elettrici ed evitare rotture accidentali, ad esempio in caso di urti. Per preparare i cavi elettrici necessari al vostro impianto, fare riferimento alla **fig. 1** e alla "Tabella 3 - Caratteristiche tecniche dei cavi elettrici".

#### 3.3.3 - a) - Posizionare la molla di bilanciamento in relazione al peso dell'asta, completa degli accessori previsti. b) - Impostare la direzione di chiusura dell'asta: a destra o a sinistra del motore.

L'alzabarriera esce dalla fabbrica impostata nel modo seguente:  
 – molla di bilanciamento ancorata in **fori che non sono definitivi**.  
 – manovra di **chiusura dell'asta orientata a sinistra**.  
 Queste impostazioni sono arbitrarie; quindi è necessario effettuare le seguenti verifiche per capire se devono essere cambiate oppure no (cioè, se occorre o meno spostare in altri fori l'aggancio della molla sulla leva di bilanciamento e sulla piastra ai piedi dell'alzabarriera).

- Se si prevede di installare un singolo accessorio, individuare nel riquadro "A" della **Tabella 4** il vostro modello di alzabarriera, la lunghezza dell'asta prevista e, infine, l'accessorio che si intende montare sull'asta; quindi, leggere in corrispondenza di questi dati la lettera e il numero relativi ai fori da scegliere per l'aggancio della molla;
- Se si prevede di installare più accessori, individuare nel riquadro "B" della

**Tabella 4** il vostro modello di alzabarriera, la lunghezza dell'asta prevista e, infine, il tipo e il numero di accessori che si desidera montare sull'asta; quindi, sommare i numeri tra parentesi legati agli accessori previsti. Infine, utilizzare il risultato della somma per leggere, nella parte bassa del riquadro "B", la lettera e il numero relativi ai fori da scegliere per l'aggancio della molla.

- Se la chiusura dell'asta deve avvenire alla destra del motore, sarà necessario spostare l'aggancio della molla in uno dei fori presenti sull'altro braccio della leva di bilanciamento.

Per spostare l'aggancio della molla in fori diversi dall'impostazione di fabbrica, procedere nel modo seguente:

01. Togliere il coperchio superiore dell'alzabarriera (**fig. 4**).
02. Svitare le 2 viti che fissano la porta armadio (**fig. 5**).
03. – (M3BAR - M5BAR - M7BAR) Girare in senso antiorario il dado mostrato in **fig. 6** (fase a); quindi ruotare manualmente la molla in senso orario per allentare la sua tensione (**fig. 6** - fase b).  
 – (L9BAR) Girare in senso orario il dado mostrato in **fig. 7** (fase a) per allentare la tensione della molla di bilanciamento.
04. Svitare il bullone che ancora la molla alla leva di bilanciamento (M3BAR - M5BAR - M7BAR: **fig. 6** - fase c; L9BAR: **fig. 7** - fase b).
05. – (M3BAR - M5BAR) Sganciare la zanca che ancora la molla alla piastra forata, posizionata ai piedi dell'alzabarriera (**fig. 6** - fase d).  
 – (M7BAR - L9BAR) Svitare il bullone che ancora la molla alla piastra forata, posizionata ai piedi dell'alzabarriera (**fig. 7** - fase c).
06. Se si desidera impostare la manovra di chiusura dell'asta sul lato destro dell'alzabarriera, sbloccare il motoriduttore (**fig. 8** - fare riferimento anche al paragrafo 3.6), e ruotare di 90° la leva di bilanciamento (**fig. 9**).
07. Con l'aiuto della **Tabella 4** individuare i nuovi fori in cui agganciare i due capi della molla.
08. – (M3BAR - M5BAR) Agganciare la zanca della molla alla piastra forata, posizionata ai piedi dell'alzabarriera (**fig. 10** - fase a); quindi, fissare l'occhiello della molla alla leva di bilanciamento, serrando a fondo il bullone (**fig. 10** - fase b).  
 – (M7BAR - L9BAR) Fissare l'occhiello superiore della molla, alla leva di bilanciamento, serrando a fondo il bullone (**fig. 11** - fase a); fissare l'occhiello inferiore della molla, alla piastra forata posizionata ai piedi dell'alzabarriera, serrando a fondo il bullone (**fig. 11** - fase b).
09. Se al punto 06 il motoriduttore è stato sbloccato, bloccarlo di nuovo (**fig. 12**), facendo riferimento al paragrafo 3.6.

### TABELLA 3 - Caratteristiche tecniche dei cavi elettrici (fig.1)

Collegamento	Tipo di cavo	Lunghezza massima consentita
A: cavo di alimentazione da rete	3 x 1,5 mm <sup>2</sup>	30 m (nota 1)
B: cavo BlueBus	2 x 0,5 mm <sup>2</sup>	20 m (nota 2)
C: cavo selettore a chiave	2 cavi 2 x 0,25 mm <sup>2</sup> (nota 3)	30 m
Cavo ingresso Open	2 x 0,25 mm <sup>2</sup>	30 m
Cavo ingresso Close	2 x 0,25 mm <sup>2</sup>	30 m
Cavo lampeggiante (nota 4) con antenna	2 x 0,5 mm <sup>2</sup>	30 m
Cavo Spia Asta Aperta (nota 4)	Schermato tipo RG58	15 m (consigliato minore 5 m)
Luci asta (nota 4)	2 x 0,5 mm <sup>2</sup>	30 m
Luci asta (nota 4)	—	—
Cavo Loop Detector	1 x 1,5 mm <sup>2</sup> twistato (nota 5)	20 m twistato (nota 5)
Cavo Master/Slave	3 x 0,5 mm <sup>2</sup>	20 m

**ATTENZIONE!** – I cavi utilizzati devono essere adatti al tipo di ambiente in cui avviene l'installazione.

**Nota 1** – Se il cavo di alimentazione supera i 30 m di lunghezza, occorre utilizzare un cavo con sezione maggiore (3x2,5 mm<sup>2</sup>) ed è necessario installare una messa a terra di sicurezza in prossimità dell'automazione.

**Nota 2** – Se il cavo BlueBus supera i 20 m di lunghezza, fino ad un massimo di 40 m, occorre utilizzare un cavo con sezione maggiore (2x1 mm<sup>2</sup>).

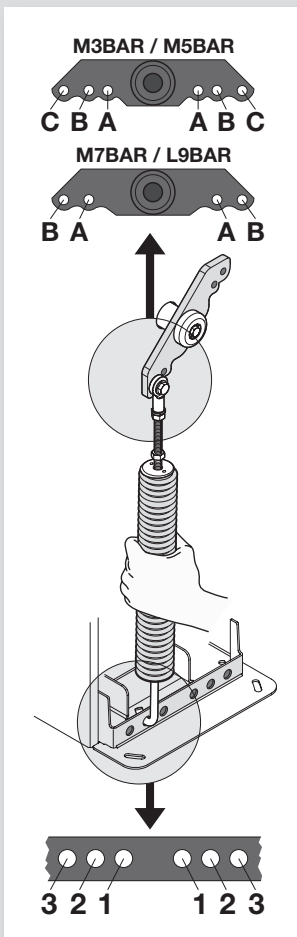
**Nota 3** – Questi 2 cavi possono essere sostituiti da 1 unico cavo da 4x0,5 mm<sup>2</sup>

**Nota 4** – Prima di effettuare il collegamento, verificare che l'uscita sia programmata in funzione del dispositivo da collegare (vedere paragrafo 6.2 - Tabella 8).

**Nota 5** – Attorcigliare, le due estremità che fuoriescono dalla spira, con almeno 20 giri per ogni metro.



TABELLA 4



1) - Sommare i numeri tra parentesi, presenti nella colonna, scegliendo solo quelli abbinati agli accessori installati.

2) - Quindi utilizzare il risultato della somma per determinare i fori di fissaggio della molla.

A	M3BAR	M5BAR	M7BAR	L9BAR			
	2,65 m XBA15 (3,15 m) -0,50 m	3,15 m XBA15 (3,15 m)	3,50 m XBA14 (4,15 m) -0,65 m	4,15 m XBA14 (4,15 m)	5,15 m XBA5 (5,15 m)	7,33 m XBA15 + XBA14	9,33 m XBA14 + XBA5
XBA13	A 1	A 3	B 2	B 3	C 2	B 2	B 1
XBA13	A 1	A 3	B 2	B 3	C 2	B 2	B 1
XBA11	B 3	B 3	C 1	C 3			
B	M5BAR	M7BAR	L9BAR				
	3,50 m XBA14 (4,15 m) -0,65 m	4,15 m XBA14 (4,15 m)	5,15 m XBA5 (5,15 m)	5,00 m XBA15+XBA15 (6,30 m) -1,30 m	6,33 m XBA15 + XBA15	7,33 m XBA15 + XBA14	8,33 m XBA14 + XBA14
XBA13	(0)	(0)	(0)	(0)	(0)	(0)	(0)
XBA13	(1)	(1)	(1)	(1)	(1)	(1)	(1)
WA13	(1)	(1)	(2)	(1)	(1)	(2)	(2)
WA12	(5)	(4)	(4)	(3)	(3)	(3)	(3)
	0 ÷ 1 = <b>B</b> 2	0 ÷ 1 = <b>B</b> 3	0 ÷ 2 = <b>A</b> 2	0 ÷ 2 = <b>B</b> 1	0 ÷ 2 = <b>B</b> 1	0 ÷ 2 = <b>A</b> 1	0 ÷ 2 = <b>A</b> 3
	2 ÷ 7 = <b>B</b> 3	2 ÷ 4 = <b>C</b> 1	3 ÷ 5 = <b>A</b> 2	3 ÷ 5 = <b>B</b> 2	3 ÷ 5 = <b>B</b> 2	3 ÷ 4 = <b>A</b> 2	3 ÷ 6 = <b>B</b> 1
		5 ÷ 6 = <b>C</b> 2	6 ÷ 7 = <b>A</b> 3			5 ÷ 6 = <b>A</b> 3	

### 3.4 - Fissaggio dell'alzarbarriera

#### 3.4.1 - Se la superficie di appoggio è esistente

01. Aprire l'armadio dell'alzarbarriera (fig. 13);
02. Appoggiare l'alzarbarriera sulla superficie di fissaggio e tracciare i punti in cui verranno fissate le asole (fig. 14);
03. Spostare l'alzarbarriera e forare la superficie nei punti appena tracciati; quindi, inserire 4 ancoraggi ad espansione, non in dotazione (fig. 15);
04. Posizionare correttamente l'alzarbarriera e bloccarla con gli appositi dadi e rondelle, non in dotazione (fig. 16).

#### 3.4.2 - Se la superficie di appoggio non è esistente

01. Eseguire lo scavo di fondazione(\*) per ospitare la piastra di fondazione;
02. Predisporre le canaline per il passaggio dei cavi elettrici (fig. 17);
03. Sulla piastra di fondazione, fissare le 4 zanche ponendo su ognuna un dado sul lato superiore e uno sul lato inferiore della piastra (fig. 17). **Attenzione** - Il dado inferiore deve essere avvitato fino alla fine della parte filettata;
04. Effettuare la colata di calcestruzzo e, prima che inizi la presa, annegare la piastra di fondazione che deve essere posizionata a filo della superficie, parallela all'asta e perfettamente in bolla (fig. 17). Attendere la completa presa del calcestruzzo; in genere, almeno 2 settimane;
05. Togliere i 4 dadi superiori delle zanche;
06. Aprire l'armadio dell'alzarbarriera (fig. 18);
07. Posizionare correttamente l'alzarbarriera e bloccarla con gli appositi dadi e rondelle, in dotazione alla piastra di fondazione e tolti al punto 04 (fig. 19).

(\*) Nota - La superficie di fissaggio deve essere perfettamente piana e levigata. Se la superficie è di calcestruzzo, quest'ultimo deve avere uno spessore di almeno 0,15 m e deve essere adeguatamente rinforzato con gabbie in ferro. Il volume del calcestruzzo deve essere superiore a 0,2 m<sup>3</sup> (uno spessore di 0,25 m corrisponde a 0,8 m<sup>2</sup>; cioè, pari ad una base quadrata di circa 0,9 m per lato). Il fissaggio sul calcestruzzo, può essere eseguito utilizzando 4 ancoraggi ad

espansione, dotati di viti 12 MA, che resistano ad un carico a trazione di almeno 400 kg. Se la superficie di fissaggio, è di materiale diverso, occorre valutarne la consistenza e verificare che i 4 punti di ancoraggio possano resistere ad un carico di almeno 1000 kg. Per il fissaggio utilizzare viti 12 MA.

### 3.5 - Installazione dell'asta e degli accessori previsti

#### 3.5.1 - Assemblaggio del supporto per l'asta

01. Inserire le 2 spine nelle apposite sedi presenti sull'albero motore d'uscita (fig. 20);
02. Posizionare il supporto sull'albero motore d'uscita, orientandolo in posizione di "asta verticale" e, fissarlo con le apposite viti e rondelle grower aperte; avvitare con forza (fig. 21);
03. Posizionare il coperchio dell'asta e fissarlo parzialmente con le 6 viti in dotazione (fig. 22).

#### 3.5.2 - Assemblaggio dell'asta formata da un pezzo unico, intero o tagliato. Lunghezze possibili:

- M3BAR:** 2,65 m = XBA15 (3,15 m -0,50 m = 2,65 m)  
3,15 m = XBA15 (3,15 m)
- M5BAR:** 3,50 m = XBA14 (4,15 m -0,65 m = 3,50 m)  
4,15 m = XBA14 (4,15 m)  
5,15 m = XBA5 (5,15 m)
- M7BAR:** 5,15 m = XBA5 (5,15 m)

01. Assemblare i due innesti asta (fig. 23);
02. Inserire, dalla stessa estremità dell'asta, gli innesti appena assemblati. Utilizzare un martello di gomma (fig. 24);
03. Oliare leggermente la guida di alluminio su entrambi i lati (fig. 25).
04. Eseguire questo punto per entrambi i lati dell'asta: inserire il primo pezzo di gomma paracolpi nella feritoia, facendolo arrivare alla fine dell'asta; poi,

- inserire il giunto per gomma paracolpi (fig. 26) e ripetere con gli altri pezzi;
05. La gomma paracolpi può sporgere di circa 1 cm dall'estremità del profilo (fig. 27):  
**A)** posizionare il tappo dell'asta e bloccarlo con le due viti (fig. 28);  
**B)** posizionare ed incastrare i due tappi copri gomma (fig. 28);
06. Inserire l'asta completa all'interno del guscio di supporto dell'asta, facendola arrivare alla battuta e, avvitare con forza le 6 viti del supporto, precedentemente inserite (fig. 29).

### 3.5.3 - Assemblaggio dell'asta formata da due pezzi, interi o tagliati.

Lunghezze possibili:

**M7BAR:** 5,00 m = XBA15 (3,15 m -1,30m = 1,85\*) + XBA15 (3,15 m)  
 6,33 m = XBA15 (3,15 m) + XBA15 (3,15 m)  
 7,33 m = XBA15 (3,15 m\*) + XBA14 (4,15 m)  
**L9BAR:** 7,33 m = XBA15 (3,15 m\*) + XBA14 (4,15 m)  
 8,33 m = XBA14 (4,15 m) + XBA14 (4,15 m)  
 9,33 m = XBA14 (4,15 m\*) + XBA5 (5,15 m)

**(\*) - ATTENZIONE! - Nelle aste formate da due pezzi, è obbligatorio fissare al supporto in alluminio, il pezzo di asta più corto.**

01. Mod. M3BAR - M5BAR - M7BAR: inserire l'innesto in alluminio a un'estremità dell'asta più corta e bloccarlo con la vite in dotazione (fig. 23).
02. Mod. L9BAR: inserire l'innesto in alluminio a un'estremità dell'asta più corta e bloccarlo con la vite in dotazione (fig. 24).
03. Innestare il giunto universale nelle estremità libere delle due aste. Fare attenzione al corretto orientamento del giunto in quanto le teste delle viti devono essere dalla stessa parte dei fori presenti nelle aste (fig. 30);
04. Agire equamente sulle tre viti del giunto svitandole in modo da "espandere" il giunto all'interno delle aste (fig. 31);
05. Oliare leggermente la guida di alluminio su entrambi i lati (fig. 25);
06. Eseguire questo punto per entrambi i lati dell'asta: inserire il primo pezzo di gomma paracolpi nella feritoia, facendolo arrivare alla fine dell'asta; poi, inserire il giunto per gomma paracolpi (fig. 26) e ripetere con gli altri pezzi;
07. La gomma paracolpi può sporgere di circa 1 cm dall'estremità del profilo (fig. 27):  
**A)** posizionare il tappo dell'asta e bloccarlo con le due viti (fig. 28);  
**B)** posizionare ed incastrare i due tappi copri gomma (fig. 28);
08. Inserire l'asta completa all'interno del guscio di supporto dell'asta, facendola arrivare alla battuta e, avvitare con forza le 6 viti del supporto, precedentemente inserite (fig. 29).

### 3.5.4 - Installazione degli accessori previsti per l'asta

Dopo aver installato l'asta e la gomma paracolpi, prima di procedere oltre è importante installare sull'asta anche eventuali altri accessori, se previsti. Per l'installazione di questi fare riferimento ai loro rispettivi manuali istruzioni.

### 3.6 - Sbloccare e bloccare manualmente l'alzabarriera

Questa operazione deve essere eseguita nei casi di black-out elettrico o di anomalie di funzionamento.

Per sbloccare o bloccare manualmente l'alzabarriera, inserire la chiave in dotazione e ruotarla di 180° a destra, oppure a sinistra (fig. 32).

**IMPORTANTE! • L'operazione di sblocco/blocco, deve avvenire solo quando l'asta è ferma e in posizione orizzontale. • È possibile effettuare lo sblocco/blocco manuale su entrambi i lati dell'alzabarriera spostando il cilindro serratura (vedere paragrafo 3.6.1).**

#### 3.6.1 - Come spostare il cilindro serratura per lo sblocco / blocco manuale

01. Inserire la chiave in dotazione e ruotare la chiave di 180° in senso orario (fig. 33-a);
02. Dall'interno del cassone, tirare verso il basso la molla a "U" che blocca il cilindro serratura (fig. 33-b) e, all'esterno del cassone, sfilare il cilindro (fig. 33-c);
03. Dall'altro lato del cassone, togliere il tappo in gomma presente (fig. 34-a) ed inserire il cilindro serratura nel foro predisposto (fig. 34-b);
04. Infine, dall'interno del cassone, inserire dal basso verso l'alto la molla a "U" per bloccare il cilindro serratura (fig. 34-c).

### 3.7 - Regolazione dei fermi meccanici dei fincorsa

01. Sbloccare manualmente il motoriduttore: vedere paragrafo 3.6;
02. Manualmente, far eseguire all'asta una manovra completa di Apertura e una di Chiusura;
03. Quindi, agire sulle viti dei fermi meccanici dei fincorsa (fig. 35 e 36) per regolare l'assetto orizzontale dell'asta, quando questa è chiusa, e l'assetto verticale dell'asta, quando questa è aperta;
04. Infine, serrare bene i dadi.

### 3.8 - Bilanciamento dell'asta

L'operazione di bilanciamento dell'asta serve a trovare l'equilibrio migliore tra il peso complessivo dell'asta, completa degli accessori installati, e la forza che gli viene contrapposta dalla tensione della molla di bilanciamento. Per verificare se la tensione della molla è ottimale o meno a bilanciare il peso esercitato dall'asta e dai suoi eventuali accessori, procedere nel modo seguente.

#### 3.8.1 - Bilanciamento asta M3BAR / M5BAR / M7BAR

01. Sbloccare manualmente il motoriduttore: vedere paragrafo 3.6;

02. Portare manualmente l'asta a circa metà della sua corsa (45°) e lasciarla ferma. Se l'asta tende a salire è necessario ridurre la tensione della molla ruotandola manualmente in senso orario (fig. 37-a). Al contrario, se l'asta tende a scendere è necessario aumentare la tensione della molla ruotandola manualmente in senso antiorario (fig. 37-b). Nota - Il valore dello sbilanciamento è accettabile quando la forza necessaria per muovere l'asta\* in apertura, chiusura e in tutte le altre posizioni, è minore oppure uguale a metà del valore della nominale (pari a circa 1,5 kg per M3; 3,5 kg per M5 e 4,5 kg per M7 circa 5 kg ad 1 m). [(\*) forza misurata perpendicolarmente all'asta e ad 1 m dall'asse di rotazione].
03. Ripetere il punto 02 posizionando l'asta anche a 20° circa e a 70° circa. Se l'asta rimane ferma nella sua posizione, significa che il suo bilanciamento è corretto; è consentito un leggero sbilanciamento, **ma l'asta non deve mai muoversi pesantemente.**
04. Svitare il dado per bloccare la molla di bilanciamento (fig. 37-c);
05. Bloccare il motoriduttore: vedere paragrafo 3.6.

#### 3.8.2 - Bilanciamento asta L9BAR

01. Sbloccare manualmente il motoriduttore: vedere paragrafo 3.6;
02. Portare manualmente l'asta a circa metà della sua corsa (45°) e lasciarla ferma. Se l'asta tende a salire è necessario ridurre la tensione della molla ruotando il dado in senso orario (fig. 38-a). Al contrario, se l'asta tende a scendere è necessario aumentare la tensione della molla ruotando il dado in senso antiorario (fig. 38-b). Nota - Il valore dello sbilanciamento è accettabile quando la forza necessaria per muovere l'asta\* in apertura, chiusura e in tutte le altre posizioni, è minore oppure uguale a metà del valore della coppia nominale (per questo prodotto, circa 6,5 kg ad 1 m). [(\*) forza misurata perpendicolarmente all'asta e ad 1 m dall'asse di rotazione].
03. Bloccare il motoriduttore: vedere paragrafo 3.6.

## 4 COLLEGAMENTI ELETTRICI

**ATTENZIONE! - Tutti i collegamenti elettrici devono essere eseguiti in assenza di alimentazione elettrica di rete.**

01. Rimuovere il coperchio svitando le viti e ruotando la chiave in senso orario (fig. 39);
02. Far passare i cavi elettrici all'interno dell'alzabarriera, partendo dalla base verso la centrale di comando e indirizzandoli verso il lato sinistro di quest'ultima. Invece, i cavi delle spire magnetiche (Loop detector) e per la modalità "Master-Slave" devono essere fatti passare sul lato destro;
03. Far passare il cavo di alimentazione tramite il pressa cavo e collegarli al morsetto a 3 contatti con fusibile. Serrare il pressa cavo stringendo la vite (fig. 40);
04. Eseguire i collegamenti dei restanti cavi, facendo riferimento allo schema elettrico di fig. 41. Nota - Per facilitare i collegamenti dei cavi, è possibile estrarre i morsetti dalle proprie sedi.

### 4.1 - Descrizione dei collegamenti elettrici

- **LIGHT** = questa uscita è programmabile (vedere capitolo 6, paragrafo 6.2 - Programmazione di secondo livello - parametri regolabili) e si utilizza per collegare uno dei seguenti dispositivi:

- **Lampeggiante:** se programmata come "lampeggiante" sull'uscita "LIGHT" è possibile collegare un lampeggiante NICE "LUCY B o MLB o MLBT" con una lampadina a 12 V 21 W tipo auto. Durante la manovra lampeggia con periodo 0,5 s acceso e 0,5 s spento. Impostazione di fabbrica: configurazione per il funzionamento come "Lampeggiante per luci asta" 24 V/10 W.

- **"spia asta aperta" - "attiva se asta chiusa" - "attiva se asta aperta" - "lampeggiante per luci asta" e "spia di manutenzione":** se programmata con una di queste 5 funzioni all'uscita "LIGHT" è possibile collegare una spia 24 V max 10 W per le seguenti segnalazioni:

#### Funzione "spia asta aperta"

Asta chiusa: spenta  
 Asta in apertura: lampeggiante lento  
 Asta in chiusura: lampeggiante veloce  
 Asta aperta (non chiusa): accesa

#### Funzione "attiva se asta chiusa"

Asta chiusa: accesa  
 In tutti gli altri casi: spenta

#### Funzione "attiva se asta aperta"

Asta aperta: accesa  
 In tutti gli altri casi: spenta

#### Funzione "lampeggiante per luci asta"

La spia oppure le luci dell'asta, indicano l'esecuzione della manovra in atto con lampeggi a cadenza regolare (0,5 secondi acceso; 0,5 secondi spento)

#### Funzione "spia di manutenzione"

- spia accesa per 2 sec all'inizio della manovra di Apertura = numero

di manovre inferiori all'80%

- spia lampeggiante durante l'esecuzione dell'intera manovra = numero di manovre tra l'80 ed il 100%
- spia sempre lampeggiante = numero di manovre superiore al 100%.

– **Ventosa:** è possibile collegare una ventosa 24 V max 10 W (versioni con solo elettromagnete, senza dispositivi elettronici). Quando l'asta è chiusa la ventosa si attiva e blocca l'asta. Durante la manovra di Apertura o Chiusura l'uscita viene disattivata.

– **Elettroblocco:** è possibile collegare un'elettroblocco con scrocco 24 V max 10 W (versioni con solo elettromagnete, senza dispositivi elettronici). Durante la manovra di Apertura l'elettroblocco viene attivato e rimane attivo per liberare l'asta ed eseguire la manovra. Nella manovra di Chiusura occorre accertarsi che l'elettroblocco si riagganci meccanicamente.

– **Elettroserratura:** è possibile collegare una elettroserratura con scrocco 24 V max 10 W (versioni con solo elettromagnete, senza dispositivi elettronici). All'inizio della manovra di Apertura l'elettroserratura viene attivato per un breve periodo per liberare l'asta ed eseguire la manovra. Nella manovra di Chiusura occorre accertarsi che l'elettroserratura si riagganci meccanicamente.

• **FLASH** = questa uscita è programmabile utilizzando il programmatore Oview. È possibile collegare gli stessi dispositivi dell'uscita LIGHT. Di fabbrica è configurata per il funzionamento con lampeggiante 12 V 21 W.

• **SCA** = questa uscita è programmabile utilizzando il programmatore Oview. È possibile collegare gli stessi dispositivi dell'uscita LIGHT. Di fabbrica è configurata per il funzionamento con Spia Asta Aperta 24 V/10 W.

• **BLUEBUS** = su questo morsetto si possono collegare i dispositivi compatibili; tutti vengono collegati in parallelo con soli due conduttori sui quali transita sia l'alimentazione elettrica che i segnali di comunicazione. Per approfondimenti vedere capitolo 8.

• **STOP** = ingresso per dispositivi che bloccano o eventualmente arrestano la manovra in corso; con opportuni accorgimenti sull'ingresso è possibile collegare contatti tipo "Normalmente Chiuso", tipo "Normalmente Aperto", dispositivi a resistenza costante o di tipo ottico. Per approfondimenti vedere capitolo 8.

• **PP** = ingresso per dispositivi che comandano il movimento in modalità Passo-Passo; è possibile collegare contatti di tipo "Normalmente Aperto".

• **OPEN** = ingresso per dispositivi che comandano il movimento di sola apertura; è possibile collegare contatti di tipo "Normalmente Aperto".

• **CLOSE** = ingresso per dispositivi che comandano il movimento di sola chiusura; è possibile collegare contatti di tipo "Normalmente Aperto".

• **ANTENNA** = ingresso di collegamento dell'antenna per ricevitore radio (l'antenna è incorporata su LUCY B, MBL, MLBT).

• **USCITA SCHEDA A led** = questa uscita è programmabile (vedere capitolo 6, paragrafo 6.2 - Programmazione di secondo livello - parametri regolabili) e si utilizza per collegare la scheda lampeggiante a led (XBA7) oppure la scheda semaforo a led (XBA8). Con l'impostazione di fabbrica, esegue la funzione di lampeggiante con periodo 0,5 s acceso e 0,5 s spento. Inoltre, vengono eseguiti i lampeggi di diagnostica.

• **LOOP1** = ingresso Loop Detector per collegare una spira magnetica, per la detenzione di masse metalliche. Le modalità di funzionamento associate a questo ingresso possono essere modificate con il programmatore Oview (vedi paragrafo 7.5 - Loop Detector). Impostazione di fabbrica: configurazione per la manovra di apertura.

• **LOOP2** = ingresso Loop Detector per collegare una spira magnetica, per la detenzione di masse metalliche. Le modalità di funzionamento associate a questo ingresso possono essere modificate con il programmatore Oview (vedi paragrafo 7.5 - Loop Detector). Impostazione di fabbrica: configurazione per la manovra di apertura.

• **MASTER-SLAVE** = connettore per il collegamento di 2 barriere in modalità Master-Slave (vedi paragrafo 7.6 - Master-Slave).

**IMPORTANTE! – NON COLLEGARE DISPOSITIVI DIVERSI DA QUELLI PREVISTI.**

## 4.2 - Prima accensione e verifica dei collegamenti

**ATTENZIONE! – Il collegamento definitivo dell'automazione alla rete elettrica deve essere effettuato esclusivamente da un tecnico qualificato ed esperto, nel rispetto delle norme di sicurezza vigenti sul territorio.**

Collegare la centrale di comando ad una linea di alimentazione elettrica dotata di messa a terra di sicurezza. Prevedere un dispositivo di disconnessione dalla rete, con una distanza di apertura dei contatti che assicuri la disconnessione completa nelle condizioni di categoria di sovratensione III oppure prevedere un sistema di presa e spina.

Dopo aver dato alimentazione elettrica alla centrale di comando, eseguire le seguenti verifiche:

- Verificare che il led Bluebus lampeggi velocemente per qualche secondo e poi che lampeggi regolarmente con frequenza di 1 lampeggio al secondo.

- Se sono presenti le fotocellule, verificare che i loro led lampeggino (sia TX sia RX); il tipo di lampeggio non è significativo perché dipende da altri fattori.
- Verificare che il dispositivo collegato all'uscita FLASH oppure il lampeggiante a led XBA7, sia spento (con impostazione di fabbrica).

Se tutto questo non avviene occorre togliere l'alimentazione elettrica alla centrale e controllare con maggiore attenzione i collegamenti elettrici effettuati. Altre informazioni utili per la ricerca e la diagnosi dei guasti sono presenti nel capitolo 8 "Cosa fare se... (guida alla risoluzione dei problemi)".

## 4.3 - Funzioni preimpostate

La centrale di comando, dispone di una serie di funzioni programmabili che di fabbrica sono impostate con i valori comunemente usati. In qualsiasi momento è possibile cambiare questi valori, per questo: vedere capitolo 6.

## 4.4 - Apprendimento dei dispositivi collegati

Dopo aver effettuato la prima accensione, è necessario far riconoscere alla centrale i dispositivi collegati sugli ingressi "Bluebus" e "Stop".

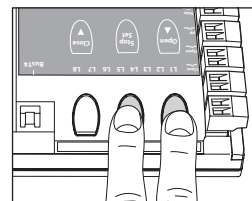
**ATTENZIONE! – La fase di apprendimento deve essere eseguita anche se non è collegato alcun dispositivo alla centrale.**

Per indicare che è necessario eseguire questa operazione, i led "L1" e "L2" presenti sulla centrale lampeggiano contemporaneamente.

**01.** Premere e tenere premuti contemporaneamente i tasti "Open" e "Set";

**02.** Rilasciare i tasti quando i led "L1" e "L2" iniziano a lampeggiare velocemente (dopo circa 3 secondi).

**03.** Attendere alcuni secondi che la centrale completi la fase di apprendimento dei dispositivi. Al termine di questa fase il led "Stop" deve essere acceso e i led "L1" e "L2" si devono spegnere (potrebbero iniziare a lampeggiare i led "L3" e "L4" per indicare che non sono state apprese le quote).



Questa procedura deve essere ripetuta nel caso di modifica ai dispositivi collegati ai morsetti BlueBus e Stop; ad esempio, dopo aver collegato un nuovo dispositivo alla centrale.

## 4.5 - Apprendimento delle posizioni di Apertura e di Chiusura

Dopo aver eseguito l'apprendimento dei dispositivi collegati, è necessario far apprendere alla centrale anche le posizioni degli arresti meccanici. In questa fase, viene rilevato il valore della corsa dell'asta, misurata dal fermo meccanico d'arresto di chiusura a quello d'arresto di apertura.

**01.** Sbloccare manualmente il motoriduttore (vedere capitolo 3.6) e posizionare manualmente l'asta a circa 45° (metà della sua corsa);

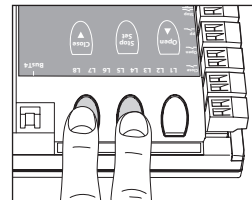
**02.** Bloccare il motoriduttore (vedere paragrafo 3.6);

**03.** Premere e tenere premuti contemporaneamente i tasti "Close" e "Set";

**04.** Rilasciare i tasti quando inizia la manovra (dopo circa 3 secondi);

**05.** Attendere che la centrale completi la fase di apprendimento: chiusura, apertura e chiusura dell'asta, intervallati da una pausa di 3 secondi.

**Avvertenze!** • Non interrompere l'esecuzione delle tre manovre: se questo avviene, sarà necessario ripetere l'intera procedura dal punto 01. • Durante l'esecuzione delle tre manovre accertarsi che la leva di bilanciamento dell'asta vada ad impattare contro i fermi meccanici del finecorsa. Se questo non avviene, fermare la procedura, regolare i fermi meccanici del finecorsa e ripetere la procedura dal punto 01. • Se al termine delle tre manovre i led "L3" e "L4" lampeggiano, significa che si è verificato un errore. Quindi, ripetere l'intera procedura dal punto 01.



**IMPORTANTE! – I parametri riguardanti le posizioni di rallentamento e l'intensità della frenatura, sono funzioni preimpostate dalla centrale. È comunque possibile modificarli agendo direttamente sulla centrale, modificando i parametri "L5 Rallentamento lungo/corto" (vedere Tabella 6 - paragrafo 6.1) e "L8 Frenatura" (vedere Tabella 8 - paragrafo 6.2) oppure tramite l'utilizzo del programmatore Oview.**

## 4.6 - Verifica del movimento dell'asta

Dopo aver eseguito l'apprendimento dei dispositivi è consigliabile effettuare alcune manovre di Apertura e Chiusura per verificare il corretto movimento dell'asta.

**01.** Premere il tasto "Open" per comandare una manovra di Apertura; verificare che l'asta inizi a rallentare prima di raggiungere la posizione di apertura;

**02.** Premere il tasto "Close" per comandare una manovra di Chiusura; verificare che l'asta inizi a rallentare prima di raggiungere la posizione di rallentamento programmata in chiusura;

**03.** Durante le manovre verificare che il lampeggiante a led, se presente, emetta i lampeggi con periodi di 0,5 secondi accesa e di 0,5 secondi spenta;

**04.** Effettuare varie manovre di Apertura e di Chiusura per verificare che non ci siano punti di maggior attrito o anomalie di funzionamento.

**ATTENZIONE –** Se la manovra inizia da una posizione diversa da quella di uno dei fermi meccanici (apertura o chiusura), verrà eseguita a velocità lenta.

#### 4.7 - Collegamento di un ricevitore radio

La centrale di comando presenta un connettore tipo SM per il collegamento di un ricevitore radio (accessorio opzionale) modello SMXI, SMXIS, OXI oppure OXIT e simili.

Per inserire il ricevitore radio, occorre togliere l'alimentazione elettrica di rete alla centrale ed inserire il ricevitore come mostrato in **fig. 42**.

Nella **Tabella 5** sono riportate le azioni eseguite dalla centrale in funzione delle uscite attivate o dai comandi inviati dal ricevitore radio.

TABELLA 5	
<b>Ricevitore SMXI, SMXIS, OIX, OXIT in modo I o II</b>	
uscita	descrizione
Uscita N°1	Passo-Passo
Uscita N°2	Apri parziale (apri a circa 45%; valore programabile con Oview, vedere paragrafo 4.10.1)
Uscita N°3	Apri
Uscita N°4	Chiudi
<b>Ricevitore OXI, OXIT programmato nel "Modo II esteso"</b>	
comando	descrizione
Comando n°1	Passo-Passo
Comando n°2	Apri parziale (apri a circa 45%; valore programabile con Oview, vedere paragrafo 4.10.1)
Comando n°3	Apri
Comando n°4	Chiudi
Comando n°5	Stop
Comando n°6	Passo-Passo Condominiale
Comando n°7	Passo-Passo Alta priorità (comanda anche se l'automazione è bloccata)
Comando n°8	Sblocca + Apri
Comando n°9	Sblocca + Chiudi
Comando n°10	Apri e Blocca automazione
Comando n°11	Chiudi e Blocca automazione
Comando n°12	Blocca automazione
Comando n°13	Sblocca automazione
Comando n°14	Passo-Passo anta Master
Comando n°15	Passo-Passo anta Slave

#### 4.8 - Collegamento luci dell'asta (accessorio opzionale)

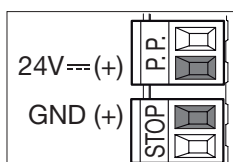
- Portare l'asta in posizione verticale;
- Svitare le 6 viti che fissano il coperchio copri asta (**fig. 43**);
- Togliere momentaneamente l'asta;
- Inserire il passacavo attraverso il foro predisposto per il passaggio del cavo di cablaggio (**fig. 44**);
- Innestare il cavo luci all'interno della gomma paracolpi, eventualmente utilizzare un sondino per facilitare l'innesto (**fig. 45**);
- Se fosse necessario, accorciare la lunghezza del cavo luci: è possibile eseguire il taglio solo in uno dei punti indicati da un apposito segno. Dopo il taglio è necessario spostare il tappo presente all'estremità tagliata per chiudere la nuova estremità;
- Inserire il cavo di cablaggio prima attraverso il foro presente sul supporto dell'asta e poi, attraverso il foro presente sull'armadio (**fig. 46**). **Attenzione** - Lasciare un po' più di cavo all'interno del supporto asta, in modo da permettere una rotazione di 90° dell'asta senza provocare nessuna tensione sul cavo;
- Collegare il cavo luci al morsetto LIGHT sulla centrale di comando: vedere schema di **fig. 47**. **Nota** - L'uscita LIGHT presenta polarità: se le luci non si accendono, come da programmazione, è necessario invertire i cavi collegati al morsetto.
- Posizionare e bloccare il connettore all'interno della feritoia dell'asta (**fig. 48**);
- Inserire l'asta e bloccarla con il suo coperchio, avvitando con forza le 6 viti (**fig. 49**) e facendo attenzione a non pizzicare il cavo di cablaggio.

#### 4.9 - Collegamento lampeggiante a led mod. XBA7 oppure semaforo a led mod. XBA8 (accessori opzionali)

Sul coperchio dell'alzabarriera può essere inserito un lampeggiante a led mod. XBA7 oppure un semaforo a led rossi e verdi mod. XBA8. Le modalità di funzionamento di questi lampeggiatori possono essere modificate tramite il programmatore Oview oppure con opportune programmazioni della centrale di comando. Per ulteriori informazioni consultare il manuale istruzioni dei due prodotti.

#### 4.10 - Collegamento di altri dispositivi

Grazie alla centrale incorporata, è possibile alimentare dispositivi esterni (un ricevitore radio oppure la luce d'illuminazione del selettore a chiave) prelevando l'alimentazione dalla centrale di comando: per il tipo di collegamento vedere la figura a lato. La ten-



sione di alimentazione è 24 V === -30% +50% con corrente massima disponibile di 100 mA.

#### 4.10.1 - Unità di programmazione Oview

L'utilizzo dell'unità di programmazione Oview, consente una completa e rapida gestione della fase d'installazione, di manutenzione e di diagnosi dell'intera automazione. È possibile collegare Oview all'alzabarriera stradale, collegandolo tramite il connettore BusT4 presente sulla centrale di comando.

Per accedere al connettore BusT4, è necessario aprire il coperchio dell'alzabarriera stradale e inserire il connettore nell'apposita sede (**fig. 50**).

In generale, Oview può essere posizionato ad una distanza di massimo 100 m di cavo dalla centrale; può essere collegato a più Centrali simultaneamente (fino a 16) e può restare collegato anche durante il normale funzionamento dell'automazione; per superare questi limiti occorre seguire le avvertenze riportate nel manuale di istruzioni di Oview e nel manuale del sistema Oview System Book. Se nella centrale è presente un ricevitore radio della serie OXI, con Oview è possibile avere accesso ai parametri dei trasmettitori memorizzati nel ricevitore stesso. Per gli approfondimenti consultare il manuale istruzioni del programmatore Oview oppure la scheda delle funzioni relative all'alzabarriera, disponibile anche sul sito [www.niceforyou.com](http://www.niceforyou.com).

#### 4.10.2 - Batteria tampone mod. PS224 (accessorio)

In caso di mancanza di tensione di rete, l'alzabarriera stradale è predisposto per essere alimentato tramite batteria tampone modello PS224. Per eseguire l'installazione e il collegamento della batteria, procedere nel modo seguente:

**Attenzione!** - Il collegamento elettrico della batteria tampone alla centrale di comando, deve essere eseguito solo dopo aver concluso tutte le fasi d'installazione e di programmazione, in quanto la batteria rappresenta un'alimentazione d'emergenza.

- Posizionare la batteria tampone come mostrato nella **fig. 51-a**;
- Disattivare l'alimentazione elettrica di rete e poi, collegare il cavo apposito al connettore della batteria tampone (**fig. 51**);
- Attivare l'alimentazione elettrica di rete.

#### 4.10.3 - Sistema Solemyo (alimentazione fotovoltaica)

L'alzabarriera è predisposta per essere alimentata con il sistema di alimentazione fotovoltaica "Solemyo". Per il collegamento alla centrale, occorre utilizzare la presa a 2 poli mostrata in **fig. 52**.

#### IMPORTANTE!

- Quando l'alzabarriera viene alimentata dal sistema "Solemyo", **NON DEVE ESSERE ALIMENTATA contemporaneamente anche dalla rete elettrica.**
- A causa della limitata energia solare disponibile, in base al luogo d'installazione ed al periodo dell'anno, l'alzabarriera potrà eseguire fino ad un massimo numero di manovre al giorno. Prima dell'installazione del sistema Solemyo verificare, nel relativo manuale d'istruzioni, se il numero massimo di manovre possibili è compatibile con l'uso previsto.
- Il sistema "Solemyo" può essere utilizzato efficacemente solo se nella centrale è attiva (ON) la funzione "Stand by" in modalità "Tutto" (attivabile solo con l'utilizzo del programmatore Oview).

## 5 COLLAUDO E MESSA IN SERVIZIO

Queste sono le fasi più importanti nella realizzazione dell'automazione, al fine di garantire la massima sicurezza dell'impianto. Il collaudo può essere usato anche per verificare periodicamente i dispositivi che compongono l'automazione. Le fasi del collaudo e della messa in servizio dell'automazione devono essere eseguite da personale qualificato ed esperto che dovrà farsi carico di stabilire le prove necessarie a verificare le soluzioni adottate nei confronti dei rischi presenti, e di verificare il rispetto di quanto previsto da leggi, normative e regolamenti: in particolare, di tutti i requisiti della norma EN 12445 che stabilisce i metodi di prova per la verifica degli automatismi per cancelli e barriere stradali. Tutte queste attività devono essere svolte sotto il diretto controllo dell'installatore responsabile cioè colui che apporrà il proprio nome e la propria firma nel riquadro N°1 della dichiarazione di conformità (vedere allegato I). I dispositivi aggiuntivi oppure opzionali devono essere sottoposti ad uno specifico collaudo, sia per quanto riguarda la funzionalità sia per quanto riguarda la loro corretta interazione con la barriera.

### 5.1 - Collaudo

La sequenza di operazioni da eseguire per il collaudo si riferisce ad un impianto tipico (**fig. 1**) con un tipo di utilizzo "utenti non addestrati" e con un tipo di attivazione dell'automazione "comando automatico" che prevede, come livello minimo di protezione del bordo primario, dispositivi tipo C (limitazione delle forze - vedi norma EN 12445) abbinati a dispositivi tipo D (rilevatore di presenza es. fotocellula). Considerando che questo tipo di utilizzo è fra i più gravosi, la stessa sequenza di collaudo può essere impiegata con efficacia anche in condizioni meno gravose.

- 1 Verificare che sia stato rispettato rigorosamente quanto previsto nel capitolo 1 riguardante le avvertenze per la sicurezza.
- 2 Verificare il corretto bilanciamento dell'asta, vedere paragrafo 3.8.
- 3 Verificare il corretto funzionamento dello sblocco manuale, vedere paragrafo 3.6.
- 4 Utilizzando il trasmettitore o il selettore a chiave, effettuare delle prove di apertura, chiusura ed arresto dell'alzabarriera accertando che il movimento dell'asta corrisponda a quanto previsto. Convieni eseguire diverse prove al fine di valutare il movimento dell'asta ed accertare eventuali difetti di montaggio, di regolazione, nonché la presenza di particolari punti d'attrito.
- 5 Verificare uno ad uno il corretto funzionamento di tutti i dispositivi di ausilio alla sicurezza presenti nell'impianto (fotocellule, bordi sensibili ecc.). Quando un dispositivo interviene il led "BlueBus", presente sulla centrale, emette 2 lampeggi più veloci come conferma dell'avvenuto riconoscimento.
- 6 Verificare il corretto funzionamento delle fotocellule procedendo nel modo seguente: a seconda che siano state installate una o due coppie di fotocellule, servono uno o due parallelepipedi di materiale rigido (es. pannelli di legno) con misure di 70 x 30 x 20 cm. Ogni parallelepipedo dovrà avere tre lati, uno per ogni dimensione, di materiale riflettente (es. specchio o pittura bianca lucida) e tre lati di materiale opaco (es. dipinti di nero opaco). Per la prova delle fotocellule posizionate a 50 cm da terra, il parallelepipedo va appoggiato sul terreno oppure sollevato di 50 cm per la prova delle fotocellule posizionate ad 1 m da terra.  
Nel caso di prova di una coppia di fotocellule, il corpo di prova deve essere posto esattamente sotto al centro dell'asta con i lati da 20 cm rivolti verso le fotocellule e spostato lungo tutta la lunghezza dell'asta (**fig. A**).  
Nel caso di prova di due coppie di fotocellule, la prova deve prima essere eseguita singolarmente per ogni coppia di fotocellule utilizzando 1 corpo di prova e poi ripetuta utilizzando 2 corpi di prova.  
Ogni corpo di prova va posizionato lateralmente rispetto al centro dell'asta, ad una distanza di 15 cm e poi spostato lungo tutta la lunghezza dell'asta (**fig. B**).  
Durante queste prove, il corpo di prova deve essere rilevato dalle fotocellule in qualsiasi posizione si trovi lungo tutta la lunghezza dell'asta.
- 7 Verificare che non vi siano interferenze tra le fotocellule e altri dispositivi interrompendo con un cilindro (diametro 5 cm, lunghezza 30 cm) l'asse ottico che unisce la coppia di fotocellule (**fig. C**): passare il cilindro prima vicino alla fotocellula TX, poi vicino alla RX e infine al centro, tra le due fotocellule. Quindi, accertare che il dispositivo intervenga in tutti i casi, passando dallo stato di attivo a quello di allarme e viceversa; infine, accertare che provochi nella centrale l'azione prevista (ad esempio, l'inversione del movimento nella manovra di Chiusura).
- 8 **Verifica della salvaguardia per il pericolo di sollevamento:** negli automatismi con movimento verticale è necessario verificare che non sia presente il pericolo di sollevamento. Questa prova può essere eseguita nel modo seguente: appendere a metà della lunghezza dell'asta un peso di 20 kg (ad esempio, un sacco di ghiaia), comandare una manovra di Apertura e verificare che durante questa manovra l'asta non superi l'altezza di 50 cm dalla sua posizione di chiusura. Nel caso l'asta superi questa altezza, occorre ridurre la forza motore (vedere capitolo 6 - Tabella 7).
- 9 Se le situazioni pericolose provocate dal movimento dell'asta sono state salvaguardate mediante la limitazione della forza d'impatto si deve eseguire la misura della forza secondo quanto previsto dalla norma EN 12445 ed eventualmente, se il controllo della "forza motore" viene usato come ausilio al sistema per la riduzione della forza d'impatto, provare e infine trovare la regolazione che dia i risultati migliori.
- 10 **Verifica dell'efficienza del sistema di sblocco:** porre l'asta in posizione di Chiusura ed effettuare lo sblocco manuale del motoriduttore (vedere paragrafo 3.6) verificando che questo avvenga senza difficoltà. Verificare che

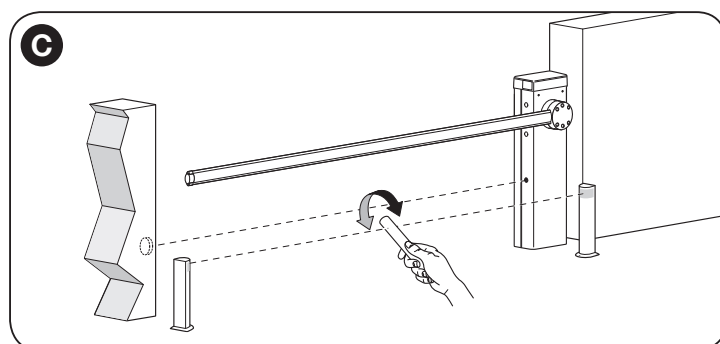
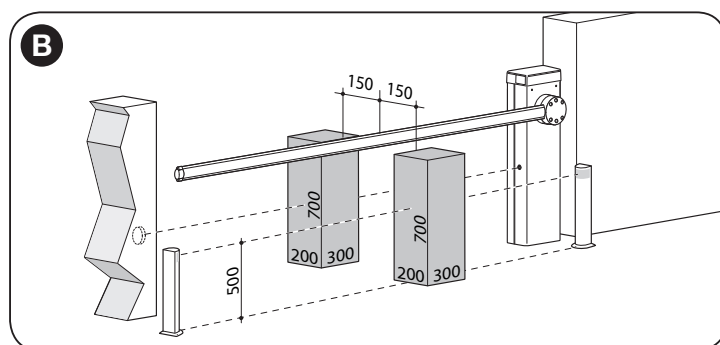
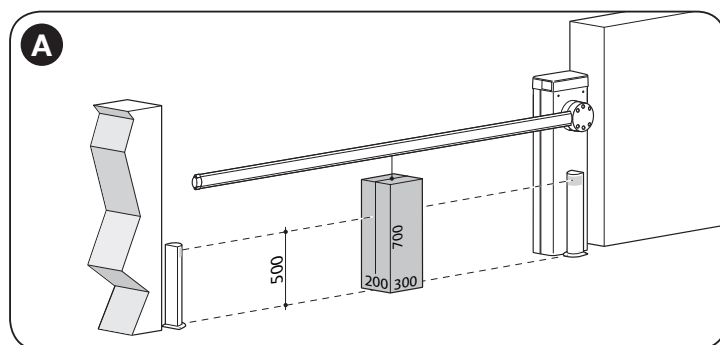
la forza manuale per muovere l'asta in Apertura, non sia superiore a 200 N (circa 20 kg); la forza è misurata perpendicolare all'asta e ad 1 m dall'asse di rotazione. Infine, verificare che la chiave necessaria per lo sblocco manuale sia disponibile presso l'automatismo.

- 11 **Verifica del sistema di sconnessione dell'alimentazione:** agendo sul dispositivo di sconnessione dell'alimentazione e scollegando le eventuali batterie tampone, verificare che tutti i led presenti sulla centrale siano spenti e che inviando un comando l'asta resti ferma. Verificare l'efficienza del sistema di blocco per evitare la riconnessione non intenzionale o non autorizzata.

### 5.2 - Messa in servizio

**La messa in servizio può avvenire solo dopo aver eseguito con esito positivo tutte le fasi di collaudo. È vietata la messa in servizio parziale o in situazioni provvisorie.**

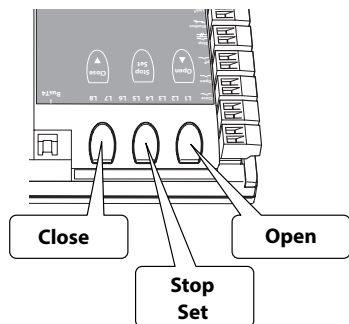
- 1 Compilare e consegnare al proprietario dell'automazione la "**Dichiarazione CE di conformità - Allegato I**", presente alla fine di questo manuale, nella sezione ritagliabile.
- 2 Compilare e consegnare al proprietario dell'automazione il modulo "**Manuale per l'uso**" presente alla fine di questo manuale, nella sezione ritagliabile.
- 3 Compilare e consegnare al proprietario dell'automazione il modulo "**Piano di manutenzione**", che raccoglie le prescrizioni sulla manutenzione di tutti i dispositivi dell'automazione. Per l'alzabarriera, questo modulo è presente alla fine di questo manuale, nella sezione ritagliabile.
- 4 Prima di mettere in servizio l'automatismo informare adeguatamente il proprietario sui pericoli ed i rischi residui ancora presenti.
- 5 Fissare permanentemente sull'alzabarriera, l'etichetta presente nella confezione riguardante le operazioni di sblocco e blocco manuale del motoriduttore.
- 6 **SOLO per installazioni NON IN CONFORMITA'** ai criteri riportati nel capitolo 1.3.1 del presente manuale: realizzare il fascicolo tecnico dell'automazione che dovrà comprendere i seguenti documenti: un disegno complessivo dell'automazione, lo schema dei collegamenti elettrici effettuati, l'analisi dei rischi presenti e le relative soluzioni adottate (vedere nel sito [www.niceforyou.com](http://www.niceforyou.com) i moduli da compilare), la dichiarazione di conformità del fabbricante di tutti i dispositivi utilizzati (per l'alzabarriera vedere allegato II) e la dichiarazione di conformità compilata dall'installatore.  
Apporre sull'alzabarriera una targhetta contenente almeno i seguenti dati: tipo di automazione, nome e indirizzo del costruttore (responsabile della "messa in servizio"), numero di matricola, anno di costruzione e marchio "CE".



## 6 PROGRAMMAZIONE DELLA CENTRALE DI COMANDO

Sulla centrale di controllo sono presenti 3 tasti **OPEN (▲)**, **STOP (Set)**, **CLOSE (▼)** che possono essere utilizzati sia per comandare la centrale durante le fasi di prova sia per la programmazione delle funzioni disponibili.

Le funzioni programmabili disponibili sono disposte su 2 livelli e il loro stato di funzionamento viene segnalato dagli 8 led (**L1 ... L8**) presenti sulla centrale.



### SEGNALAZIONI LED:

- **Led acceso** = funzione attiva;
- **Led spento** = funzione non attiva;

### TASTI DI PROGRAMMAZIONE:

- **OPEN (▲)**: il tasto "OPEN" permette di comandare l'apertura dell'asta oppure essere utilizzato, durante la programmazione, per spostare verso l'alto il punto di pro-

grammazione.

- **STOP (Set)**: il tasto "STOP" permette di fermare la manovra; se premuto per più di 5 secondi permette di entrare in fase di programmazione.
- **CLOSE (▼)**: il tasto "CLOSE" permette di comandare la chiusura dell'asta oppure essere utilizzato, durante la programmazione, per spostare verso il basso il punto di programmazione.

**ATTENZIONE!** – Durante l'esecuzione di una manovra (apertura o chiusura) tutti i 3 tasti (▲, Set, ▼) funzionano come STOP; provocando l'arresto della manovra in atto oppure l'inversione della manovra.

### 6.1 - Programmazione primo livello (ON-OFF)

Tutte le funzioni del primo livello (**Tabella 6**) sono programmate di fabbrica su "OFF" e possono essere modificate in qualsiasi momento come mostrato nella **Tabella 7**. I parametri sono regolabili su una scala di valori da 1 a 8; per verificare il valore corrispondente ad ogni led vedere **Tabella 6**.

**IMPORTANTE** – La procedura di programmazione ha un tempo massimo di 10 secondi che intercorre tra la pressione di un tasto e l'altro. Scaduto questo tempo, la procedura termina automaticamente memorizzando le modifiche fatte fino a quel momento.

**TABELLA 6 - Funzioni di Primo livello**

Led	Descrizione	Esempio
<b>L1</b>	<b>Chiusura automatica</b>	Questa funzione esegue una chiusura automatica dell'asta dopo il Tempo pausa programmato. Valore di fabbrica: 20 secondi. Valore programmabile da 3 a 60 secondi.
<b>L2</b>	<b>Richiudi dopo Foto</b>	La funzione permette di mantenere l'asta in posizione di Apertura solo per il tempo necessario al transito. Quando la funzione è attiva, il suo funzionamento varia in base al parametro impostato nella funzione "Chiusura automatica": • con "Chiusura automatica" <b>attiva</b> , la manovra di Apertura si arresta subito dopo il disimpegno delle fotocellule e dopo 5 sec. inizia la manovra di Chiusura. • con "Chiusura automatica" <b>non attiva</b> , l'asta raggiunge sempre la posizione di Apertura massima (anche se le fotocellule vengono disimpegnate prima) e trascorsi 5 sec. inizia la manovra di Chiusura.
<b>L3</b>	<b>Chiudi sempre</b>	Questa funzione è utile nel caso di un black-out elettrico, anche breve. Infatti, se la funzione è attiva (ON), al ripristino della corrente elettrica la centrale rileva l'asta in posizione di Apertura e avvia la manovra di Chiusura che, per questioni di sicurezza, è preceduta da 3 sec. di prelampeggio.
<b>L4</b>	<b>Stand by</b>	Questa funzione riduce i consumi. Se è attiva, dopo 1 minuto dal termine della manovra, la centrale spegne i TX delle fotocellule Bluebus e tutti i led, escluso il led Bluebus che lampeggerà più lentamente. Quando la centrale riceve un qualsiasi comando ripristina il normale funzionamento. <b>Per l'uso dell'alzabarriera con il sistema Solemyo è necessario attivare una modalità di "Stand by" ancora più profonda, lo "Stand by tutto". Questa operazione si effettua con il programmatore Oview.</b>
<b>L5</b>	<b>Rallentamento lungo / corto</b>	Questa funzione permette di raddoppiare lo spazio d'inizio del rallentamento, sia in Apertura sia in Chiusura. Se la funzione non è attiva il rallentamento è corto.
<b>L6</b>	<b>Spunto automatico</b>	Questo parametro, se attivo (ON), permettere di attivare lo spunto (partenza a velocità massima) affinché l'asta venga portata in movimento. Il valore impostato di fabbrica è "OFF".
<b>L7</b>	<b>Modalità "Slave"</b>	Attivando questa funzione l'alzabarriera diventa "Slave" (servo): è possibile, così, sincronizzare il funzionamento di 2 barriere contrapposte nelle quali una funziona da Master e una da Slave; per maggiori dettagli vedere il paragrafo 7.6 - Modalità Master-Slave.
<b>L8</b>	<b>Direzione di rotazione del motore</b>	Questo parametro consente di invertire il senso di rotazione del motore per poter installare l'alzabarriera a destra; il valore impostato di fabbrica è "OFF" (rotazione standard del motore – la chiusura dell'asta è a sinistra). <b>Importante – Quando viene attivata questa funzione è necessario eseguire l'apprendimento delle posizioni di apertura e di chiusura (paragrafo 4.5).</b>

**TABELLA 7 - Procedura di programmazione (primo livello)**

<b>01.</b> Premere e tenere premuto il tasto "Set" per circa 3 secondi;	
<b>02.</b> Rilasciare il tasto quando il led "L1" inizia a lampeggiare;	
<b>03.</b> Premere il tasto "▲" o "▼" per spostarsi dal led che sta lampeggiando al led che rappresenta la funzione da modificare;	
<b>04.</b> Premere il tasto "Set" per cambiare lo stato della funzione: (lampeggio breve = OFF - lampeggio lungo = ON);	
<b>05.</b> Attendere 10 secondi (tempo massimo) per uscire dalla programmazione.	
<b>Nota</b> – Per programmare altre funzioni su "ON" oppure "OFF", durante l'esecuzione della procedura, occorre ripetere i punti 03 e 04 durante la fase stessa.	

### 6.2 - Programmazione secondo livello (parametri regolabili)

Tutti i parametri del secondo livello sono programmati di fabbrica (**Tabella 8**) e possono essere modificate in qualsiasi momento come mostrato nella **Tabella 9**.

I parametri sono regolabili su una scala di valori da 1 a 8; per verificare il valore corrispondente ad ogni led vedere **Tabella 8**.

**IMPORTANTE** – La procedura di programmazione ha un tempo massimo di 10 secondi che intercorre tra la pressione di un tasto e l'altro. Scaduto questo tempo, la procedura termina automaticamente memorizzando le modifiche fatte fino a quel momento.

**TABELLA 8 - Funzioni di secondo livello**

Led di entrata	Parametro	Led (livello)	Valore	Descrizione
<b>L1</b>	<b>Tempo Pausa</b>	<b>L1</b>	3 secondi	Regola il tempo di pausa, cioè il tempo che intercorre tra la fine di una manovra di apertura e l'inizio della chiusura automatica. Questo parametro ha effetto solo se la Chiusura automatica è attiva.
		<b>L2</b>	5 secondi	
		<b>L3</b>	7 secondi	
		<b>L4</b>	10 secondi	
		<b>L5</b>	15 secondi	
		<b>L6</b>	20 secondi	
		<b>L7</b>	40 secondi	
		<b>L8</b>	60 secondi	
<b>L2</b>	<b>Funzione Passo-Passo</b>	<b>L1</b>	Apri - stop - chiudi - stop	Regola la sequenza di comandi associati all'ingresso oppure al comando radio: "Passo - Passo".
		<b>L2</b>	Apri - stop - chiudi - apri	
		<b>L3</b>	Apri - chiudi - apri - chiudi	
		<b>L4</b>	Condominiale 1	
		<b>L5</b>	Condominiale 2	
		<b>L6</b>	Passo-Passo 2	
		<b>L7</b>	Uomo presente	
		<b>L8</b>	Apertura in "semiautomatico", chiusura a "uomo presente"	
<b>L3</b>	<b>Velocità motore</b>	<b>L1</b>	Velocità 1 (50%)	Regola la velocità del motore durante la normale corsa.
		<b>L2</b>	Velocità 2 (80%)	
		<b>L3</b>	Velocità 3 (100%)	
		<b>L4</b>	Apri V3, Chiudi V1	
		<b>L5</b>	Apri V1, Chiudi V2	
		<b>L6</b>	Apri V2, Chiudi V3	
		<b>L7</b>	Apri V3, Chiudi V2	
		<b>L8</b>	Apri V2, Chiudi V1	
<b>L4</b>	<b>Uscita 1 LIGHT</b>	<b>L1</b>	Spia Asta Aperta (24 V - 10 W)	Seleziona il tipo di dispositivo collegato all'uscita LIGHT. <b>Importante!</b> - Se viene modificata la programmazione, verificare che il tipo di tensione del nuovo dispositivo collegato al morsetto LIGHT corrisponda al tipo di tensione del livello di programmazione scelto.
		<b>L2</b>	Asta chiusa (24 V - 10 W)	
		<b>L3</b>	Asta aperta (24 V - 10 W)	
		<b>L4</b>	Lampeggiante (12 V - 21 W)	
		<b>L5</b>	Lampeggiante 1 (24 V - 10 W) (per luci asta)	
		<b>L6</b>	Elettroserratura (24 V - 10 W)	
		<b>L7</b>	Ventosa (24 V - 10 W)	
		<b>L8</b>	Spia Manutenzione (24 V - 10 W)	
<b>L5</b>	<b>Uscita led (luci coperschio)</b>	<b>L1</b>	Lampeggiante (solo durante la manovra)	Seleziona la modalità di funzionamento del dispositivo collegato all'uscita led. Le modalità da L1 a L4 sono associabili al dispositivo lampeggiante a led. Le modalità da L5 a L8 sono associabili al dispositivo semaforo a led. <b>Importante!</b> - Non collegare altri dispositivi diversi da quelli previsti.
		<b>L2</b>	Lampeggiante 1 (lampeggio sempre)	
		<b>L3</b>	Luce di cortesia	
		<b>L4</b>	Sempre acceso	
		<b>L5</b>	Semaforo rosso	
		<b>L6</b>	Semaforo verde	
		<b>L7</b>	Semaforo a senso unico	
		<b>L8</b>	Semaforo a senso alternato	
<b>L6</b>	<b>Forza motore</b>	<b>L1</b>	Forza 1 (bassa)	Durante il movimento, regola il sistema di controllo della forza del motore per adeguarlo al peso dell'asta.
		<b>L2</b>	Forza 2	
		<b>L3</b>	Forza 3	
		<b>L4</b>	Forza 4	
		<b>L5</b>	Forza 5	
		<b>L6</b>	Forza 6	
		<b>L7</b>	Forza 7	
		<b>L8</b>	Forza 8 (alta)	
<b>L7</b>	<b>Sensibilità Loop Detector</b>	<b>L1</b>	100% - massima	Regola la sensibilità di rilevazione degli oggetti metallici del circuito di Loop Detector. Vedere paragrafo 7.5 - cap. 7 Approfondimenti
		<b>L2</b>	90%	
		<b>L3</b>	80%	
		<b>L4</b>	70%	
		<b>L5</b>	60%	
		<b>L6</b>	50%	
		<b>L7</b>	40%	
		<b>L8</b>	30% - minima	
<b>L8</b>	<b>Frenatura</b>	<b>L1</b>	0 - assente	Imposta l'intensità della frenatura che viene eseguita durante la fase di rallentamento della manovra.
		<b>L2</b>	1	
		<b>L3</b>	2	
		<b>L4</b>	3	
		<b>L5</b>	5	
		<b>L6</b>	6	
		<b>L7</b>	8	
		<b>L8</b>	9 - massima	

**AVVERTENZE:**

- Non impostare un valore troppo alto della "forza motore" perchè potrebbe pregiudicare il funzionamento del sistema di sicurezza oppure danneggiare l'asta;
- Se il controllo della "forza motore" viene utilizzato come ausilio al sistema per la riduzione della forza d'impatto, occorre ripetere la misurazione della forza dopo ogni regolazione, come previsto dalla norma EN 12445
- L'usura e le condizioni atmosferiche influiscono sul movimento dell'asta, quindi, controllare periodicamente la regolazione della "forza motore".

**TABELLA 9 - Procedura di programmazione (secondo livello)**

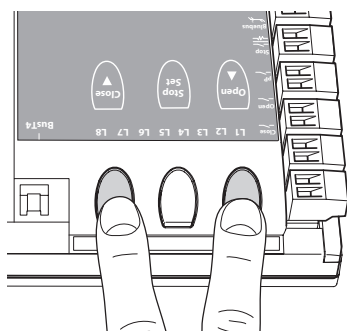
01. Premere e tenere premuto il tasto "Set" per circa 3 secondi;	
02. Rilasciare il tasto quando il led "L1" inizia a lampeggiare;	
03. Premere il tasto "▲" o "▼" per spostarsi dal led che sta lampeggiando al led che rappresenta la funzione da modificare;	
04. Premere e mantenere premuto il tasto "Set" fino alla conclusione del punto 06;	
05. Attendere circa 3 secondi, fino a quando si accende il led che rappresenta il livello attuale del parametro da modificare;	
06. Premere il tasto "▲" o "▼" per spostare il led che rappresenta il valore del parametro;	
07. Rilasciare il tasto "Set";	
08. Attendere 10 secondi (tempo massimo) per uscire dalla programmazione.	
<b>Nota</b> – Per programmare più parametri, durante l'esecuzione della procedura, occorre ripetere le operazioni dal punto 03 al punto 07 durante la fase stessa.	

## 7 APPROFONDIMENTI

### 7.1 - Cancellazione totale della memoria della centrale di comando

Nella centrale di comando, è possibile cancellare tutti i dati memorizzati e riportarla allo stato iniziale con i valori di fabbrica:

01. Premere e tenere premuti, contemporaneamente, i tasti "▲" e "▼";



02. (dopo circa 3 secondi) Rilasciare i tasti quando tutti i led si accendono;  
03. Quando i led L1 e L2 iniziano a lampeggiare, significa che la procedura è terminata.

Nota – Con questa procedura è possibile cancellare anche eventuali errori rimasti nella memoria.

**Importante** – Questa procedura non cancella il parametro relativo alla direzione di rotazione del motore ed il numero di manovre effettuate.

### 7.2 - Altre funzioni

#### • Funzione "Apri sempre"

Questa funzione è una particolarità della centrale di comando; è associata all'ingresso "Passo Passo" e permette di comandare sempre una manovra di Apertura quando il comando di Passo Passo rimane attivo per più di 3 secondi. Questa funzione è valida per qualsiasi programmazione dell'ingresso Passo Passo (vedere "Funzione PP" nella **Tabella 8**).

Ad esempio, può essere utilizzata per collegare un orologio per programmare l'Apertura permanente dell'alzabarriera durante una determinata fascia oraria.

#### • Funzione "Muovi comunque"

Nel caso in cui uno o più dispositivi di sicurezza non dovessero funzionare correttamente oppure fossero fuori uso, questa funzione permette ugualmente di comandare l'alzabarriera in modalità "Uomo presente" (per i dettagli vedere capitolo "manuale per l'uso").

#### • Funzione "Avviso di manutenzione"

Questa funzione permette di avvisare quando è il momento di eseguire un controllo di manutenzione dell'automazione. Il parametro "Avviso di manutenzione" può essere regolato tramite l'utilizzo del programmatore Oview. L'avviso di manutenzione, viene segnalata attraverso il lampeggiante Flash oppure dalla spia di manutenzione, in base al tipo di programmazione impostata. Le segnalazioni emesse dal lampeggiante Flash e dalla spia manutenzione sono riportate nella **Tabella 10**.

#### • Verifica del numero di manovre effettuate

Per verificare il numero di manovre eseguite, è necessario disporre del programmatore Oview; parametri verificabili alla voce "Manutenzione".

#### • Azzeramento contatore manovre

L'azzeramento delle manovre deve essere eseguito al termine della fase di manutenzione dell'automazione e deve essere eseguito **disattivando** la funzione "Spia manutenzione" relativa all'uscita LIGHT.

#### **Nota** – Scollegare momentaneamente il dispositivo collegato all'uscita 1 LIGHT.

Procedura per attivare la Spia manutenzione (quando non è già attiva):

01. Premere e tenere premuto il tasto "Set" per circa 3 secondi;
02. Rilasciare il tasto quando il led "L1" inizia a lampeggiare;
03. Premere il tasto "▲" o "▼" per spostarsi dal led che sta lampeggiando al led L4 (led di entrata "Uscita LIGHT");
04. Premere e mantenere premuto il tasto "Set" fino alla conclusione del punto 07;
05. Attendere circa 3 secondi, fino a quando si accende il led dell'uscita programmata;
06. Premere il tasto "▲" o "▼" per spostare il led acceso su L8;
07. Rilasciare il tasto "Set" e attende l'uscita per timeout dalla procedura di programmazione.

Procedura per disattivare la Spia manutenzione (quando è già attiva):

01. Premere e tenere premuto il tasto "Set" per circa 3 secondi;
02. Rilasciare il tasto quando il led "L1" inizia a lampeggiare;
03. Premere il tasto "▲" o "▼" per spostarsi dal led che sta lampeggiando al led L4 (led di entrata "Uscita LIGHT");
04. Premere e mantenere premuto il tasto "Set" fino alla conclusione del punto 07;
05. Attendere circa 3 secondi, fino a quando si accende il led L8;

**TABELLA 10**

Numero di manovre	Lampeggiante Flash	Spia manutenzione
Inferiore a 80% del limite	Normale (0,5 sec. acceso - 0,5 sec. spento)	Accesa per 2 sec. all'inizio della manovra di Apertura
Fra 81% e 100% del limite	All'inizio della manovra rimane acceso per 2 sec.,	Lampeggia durante l'intera durata della manovra poi continua normalmente
Superiore al 100% del limite	All'inizio e al termine della manovra rimane acceso per 2 sec., poi continua normalmente	Lampeggia sempre



06. Premere il tasto “▲” o “▼” per spostare il led acceso su un led diverso da L8;  
 07. Rilasciare il tasto “Set” e attendere l’uscita per timeout dalla procedura di programmazione.

In questo momento l’avviso di manutenzione è stato cancellato.

Nota – Reimpostare la programmazione dell’uscita LIGHT con il dispositivo da usare quindi ricollegarlo all’uscita.

### 7.3 - Aggiungere o rimuovere dispositivi

In qualsiasi momento è possibile aggiungere nuovi dispositivi collegati all’ingresso BlueBus e Stop oppure eliminarne altri già presenti. Per fare questo, procedere nel modo seguente:

01. Premere e tenere premuti, contemporaneamente, i tasti “▲” e “Set”;
02. (dopo circa 3 secondi) Rilasciare i tasti quando i led L1 e L2 iniziano a lampeggiare molto velocemente;
03. Attendere alcuni secondi, fino a quando la centrale termina la fase di apprendimento dei dispositivi collegati;
04. Al termine di questa fase, il led STOP rimane acceso mentre i led L1 e L2 si spengono (eventualmente iniziano a lampeggiare i led L3 e L4).

Dopo aver eseguito questa procedura è necessario eseguire nuovamente il collaudo dell’automazione come indicato nel capitolo 5.1.

#### 7.3.1 - Ingresso Bluebus

Il sistema Bluebus permette di effettuare i collegamenti dei dispositivi compatibili con soli due conduttori, sui quali transita sia l’alimentazione elettrica sia i segnali di comunicazione. Tutti i dispositivi vengono collegati in modo parallelo sugli stessi 2 conduttori di Bluebus e senza necessità di rispettare alcuna polarità. Ogni dispositivo viene riconosciuto singolarmente poiché durante l’installazione gli viene assegnato un indirizzo univoco. Al sistema Bluebus si possono collegare fotocellule, dispositivi di sicurezza, dispositivi di comando come tastiere e lettori di tessere a trasponder, spie di segnalazione, ecc. La centrale di controllo, durante la fase di apprendimento, riconosce singolarmente tutti i dispositivi collegati ed è anche in grado di rilevare con estrema sicurezza eventuali anomalie presenti. Infatti, ogni volta che viene aggiunto o rimosso un dispositivo collegato al Bluebus occorre eseguire la fase di apprendimento come descritto nel paragrafo 4.4.

#### 7.3.2 - Fotocellule

Il sistema Bluebus consente alla centrale di riconoscere le fotocellule regolando l’indirizzamento degli appositi ponticelli (vedere **Tabella 11**) e consente di assegnare il corretto valore della funzione di rilevazione ostacoli. L’operazione di indirizzamento va fatta sia sul TX che sul RX, posizionando i ponticelli nello stesso modo e verificando che non vi siano altre coppie di fotocellule con lo stesso indirizzo.

Le fotocellule possono essere installate come mostrato in **fig. D**. **Importante** – Dopo l’installazione o la rimozione di fotocellule è necessario eseguire la fase di apprendimento dei dispositivi, come descritto nel paragrafo 4.4.

È possibile installare la fotocellula TX oppure RX all’interno del cassone dell’alzarbarriera, nello spazio previsto (**fig. 53**).

Per installare la fotocellula procedere nel modo seguente:

01. Estrarre la scheda della fotocellula dal proprio box, facendo leva con un cacciavite a taglio (**fig. 53-a**). **ATTENZIONE!** - Non danneggiare i componenti elettrici interni;
02. Aprire il box predisposto per le fotocellule, presente nella scatola accessori (**fig. 53-b**);
03. Incastrare la scheda sul fondo del box (**fig. 53-c**);
04. Forare la gomma predisposta per il passaggio del cavo elettrico (**fig. 53-d**);
05. Far passare il cavo elettrico e collegarlo al morsetto della fotocellula (**fig. 53-e**);
06. Chiudere il fondo del box con il coperchio, avendo cura di bloccare la gomma nella propria sede (**fig. 53-f**);
07. Agganciare il box sulla lente presente sul lato del cassone facendolo scorrere dall’alto verso il basso (**fig. 53-g**).

**NOTA** – È possibile collegare all’ingresso Bluebus, 2 fotocellule con funzione di comando “apre FA1” e “apre FA2” (è necessario tagliare il ponticello A sul retro delle schede TX e RX). Quando intervengono queste fotocellule, la centrale comanda una manovra di apertura. Per ulteriori informazioni consultare il manuale istruzioni delle fotocellule.

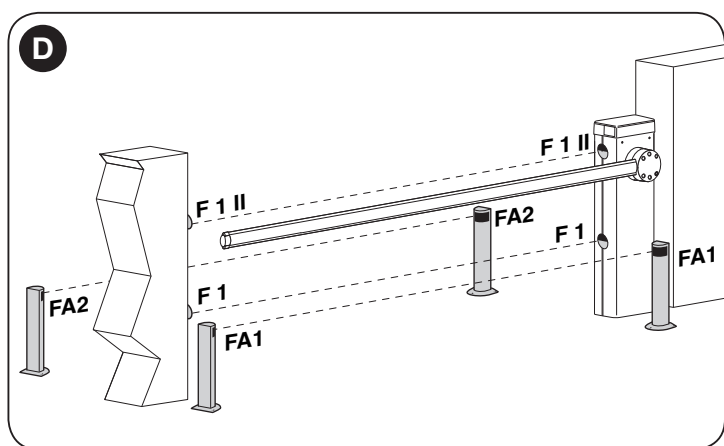


TABELLA 11 - INDIRIZZI DELLE FOTOCELLULE		
Fotocellula	Ponticelli	
FOTO	Fotocellula h = 50 con intervento in chiusura	
FOTO II	Fotocellula h = 100 con intervento in chiusura	
FOTO 1	Fotocellula h = 50 con intervento in chiusura	
FOTO 1 II	Fotocellula h = 100 con intervento in chiusura	
FOTO 2	Fotocellula con intervento in apertura (inverte in chiude)	
FOTO 2 II	Fotocellula con intervento in apertura (inverte in chiude)	
FOTO 3	Fotocellula unica con intervento sia in apertura che chiusura	
FA1	Fotocellula per comando di apertura (tagliare il ponticello A sul retro delle schede TX e RX)	
FA2	Fotocellula per comando di apertura (tagliare il ponticello A sul retro delle schede TX e RX)	

#### 7.3.3 - Selettore digitale MOTB e lettore di prossimità per tessere a trasponder MOMB

Il sistema Bluebus permette di collegare fino a 4 selettori digitali MOTB oppure 4 lettori di tessere transponder MOMB.

Con MOTB è possibile comandare l’automazione digitando sulla tastiera una delle combinazioni numeriche memorizzate.

Con MOMB è possibile comandare l’automazione semplicemente avvicinando al sensore la tessera a transponder memorizzata.

Questi dispositivi sono dotati di un codice univoco che viene riconosciuto e memorizzato dalla centrale durante la fase di apprendimento di tutti i dispositivi collegati (vedere paragrafo 4.4).

In questo modo, viene evitato qualsiasi tentativo fraudolento di sostituzione di un dispositivo e, nessun estraneo potrà comandare l’automazione. Per ulteriori informazioni consultare il manuale istruzioni di MOTB e MOMB.

#### 7.3.4 - Ingresso STOP

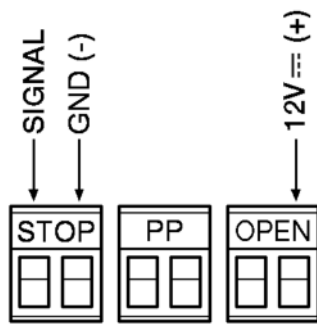
La funzione dell’ingresso STOP è provocare l’arresto immediato della manovra in atto seguita da una breve inversione. A questo ingresso possono essere collegati dispositivi con uscita a contatto normalmente aperto “NA”, normalmente chiuso “NC”, OPTO SENSOR oppure dispositivi con uscita a resistenza costante 8,2 kΩ (bordi sensibili). La centrale, durante la fase di apprendimento, riconosce il tipo di dispositivo collegato e provoca uno STOP quando si verifica una qualsiasi variazione rispetto allo stato appreso. Con opportuni accorgimenti è possibile collegare all’ingresso STOP più di un dispositivo, anche di tipo diverso:

- Si possono collegare più dispositivi NA in parallelo tra loro, senza limiti di quantità;
- Si possono collegare più dispositivi NC in serie tra loro, senza limiti di quantità;
- Si possono collegare in parallelo due dispositivi con uscita a resistenza costante 8,2 kΩ; se vi sono più di 2 dispositivi, tutti devono essere collegati “in cascata” con una sola resistenza di terminazione da 8,2 kΩ;
- È possibile anche una combinazione di tipo NA ed NC, ponendo i 2 contatti in parallelo. In questo caso occorre porre in serie al contatto NC una resistenza da 8,2 kΩ; questo, rende possibile anche la combinazione di 3 dispositivi: NA, NC e 8,2 kΩ.

**Attenzione** – Se l’ingresso STOP viene utilizzato per collegare dispositivi con funzioni di sicurezza, quest’ultimi devono essere dispositivi con uscita a resistenza costante 8,2 kΩ oppure dispositivi ottici OPTO SENSOR, che garantiscono un adeguato livello di sicurezza ai guasti.

Per il collegamento di un dispositivo ottico tipo OPTO SENSOR eseguire le connessioni come mostrato in **fig. E**; la corrente massima fornita sulla linea è 12 Vcc e di 40 mA.

E



## 7.4 - Diagnostica

Alcuni dispositivi sono predisposti per emettere delle segnalazioni con il quale è possibile riconoscere lo stato di funzionamento oppure di eventuali anomalie.

### 7.4.1 - Segnalazioni della centrale di comando

I led dei morsetti e dei tasti presenti sulla centrale di comando emettono delle segnalazioni particolari sia per segnalare il normale funzionamento sia eventuali anomalie. Nella **Tabella 12** e **13** sono descritte la causa e la soluzione per ogni tipo di segnalazione.

**TABELLA 12 - Led dei morsetti presenti sulla centrale di comando**

Led Bluebus	Causa	Soluzione
Spento	Anomalia	Verificare se c'è alimentazione; verificare che i fusibili non siano intervenuti; nel caso, verificare la causa del guasto e poi sostituirli con altri del lo stesso valore.
Acceso	Anomalia grave	C'è una anomalia grave; provare a spegnere per qualche secondo la centrale; se lo stato permane c'è un guasto e occorre sostituire la scheda elettronica.
1 lampeggio al secondo	Tutto OK	Funzionamento normale della centrale
2 lampeggi veloci	È avvenuta una variazione dello stato degli ingressi	È normale quando avviene un cambiamento di uno degli ingressi: PP, STOP, OPEN, CLOSE, intervento delle fotocellule o viene utilizzato il trasmettitore radio.
Serie di lampeggi separati da una pausa di 1 secondo	Varie	È la stessa segnalazione che c'è sul lampeggiante (vedere Tabella15)
Led STOP	Causa	Soluzione
Spento	Intervento dell'ingresso di STOP	Verificare i dispositivi collegati all'ingresso di STOP
Acceso	Tutto OK	Ingresso STOP attivo
Led PP	Causa	Soluzione
Spento	Tutto OK	Ingresso PP non attivo
Acceso	Intervento dell'ingresso di PP	È normale se è effettivamente attivo il dispositivo collegato all'ingresso di PP
Led OPEN	Causa	Soluzione
Spento	Tutto OK	Ingresso OPEN non attivo
Acceso	Intervento dell'ingresso di OPEN	È normale se è effettivamente attivo il dispositivo collegato all'ingresso di OPEN
Led CLOSE	Causa	Soluzione
Spento	Tutto OK	Ingresso CLOSE non attivo
Acceso	Intervento dell'ingresso di CLOSE	È normale se è effettivamente attivo il dispositivo collegato all'ingresso di CLOSE
Led finecorsa FC1	Causa	Soluzione
Spento	Finecorsa intervenuto	- Se è impostato il parametro "Direzione di rotazione motore standard" l'asta si trova nella posizione di chiusura totale. - Se è impostato il parametro "Direzione di rotazione motore invertita" l'asta si trova nella posizione di apertura totale.
Acceso	Finecorsa non intervenuto	- Se è impostato il parametro "Direzione di rotazione motore standard" l'asta si trova nella posizione diversa da chiusura totale. - Se è impostato il parametro "Direzione di rotazione motore invertita" l'asta si trova nella posizione diversa da apertura totale.
Led finecorsa FC2	Causa	Soluzione
Spento	Finecorsa intervenuto	- Se è impostato il parametro "Direzione di rotazione motore standard" l'asta si trova nella posizione di apertura totale. - Se è impostato il parametro "Direzione di rotazione motore invertita" l'asta si trova nella posizione di chiusura totale.
Acceso	Finecorsa non intervenuto	- Se è impostato il parametro "Direzione di rotazione motore standard" l'asta si trova nella posizione diversa da apertura totale. - Se è impostato il parametro "Direzione di rotazione motore invertita" l'asta si trova nella posizione diversa da chiusura totale.
Led encoder	Causa	Soluzione
Acceso	Il magnete è davanti al sensore	Se non c'è nessuna manovra in corso è normale, altrimenti c'è un guasto all'encoder o il cavo non è collegato bene
Spento	Il magnete non è davanti al sensore	Se non c'è nessuna manovra in corso è normale, altrimenti c'è un guasto all'encoder o il cavo non è collegato bene
Lampeggiante	Manovra in corso	Tutto OK se la manovra è in corso; il lampeggio è proporzionale alla velocità. Nota – Durante l'esecuzione della manovra, il lampeggio veloce potrebbe apparire come led acceso.

**TABELLA 13 - Led dei tasti presenti sulla centrale di comando**

<b>Led 1</b>	<b>Descrizione</b>
Spento	Durante il funzionamento normale indica "Chiusura automatica" non attiva.
Acceso	Durante il funzionamento normale indica "Chiusura automatica" attiva
Lampeggia	<ul style="list-style-type: none"> <li>• Programmazione delle funzioni in corso.</li> <li>• Se lampeggia contemporaneamente a L2 significa che è necessario eseguire la fase di apprendimento dei dispositivi (vedere paragrafo 4.4).</li> </ul>
Lampeggia veloce	Dopo l'avvio della centrale, indica un errore di memoria riguardante i <u>dispositivi collegati</u> . Contemporaneamente, il led "Bluebus" emette una segnalazione di diagnostica: 5 lampeggi - pausa di 1 secondo - 5 lampeggi. In questo caso è necessario eseguire la fase di apprendimento dei dispositivi collegati (vedere paragrafo 4.4) oppure la cancellazione della memoria (vedere paragrafo 7.1).
<b>Led 2</b>	<b>Descrizione</b>
Spento	Durante il funzionamento normale indica "Richiudi dopo foto" non attivo.
Acceso	Durante il funzionamento normale indica "Richiudi dopo foto" attivo.
Lampeggia	<ul style="list-style-type: none"> <li>• Programmazione delle funzioni in corso</li> <li>• Se lampeggia contemporaneamente a L1 significa che è necessario eseguire la fase di apprendimento dei dispositivi (vedere paragrafo 4.4)</li> </ul>
Lampeggia veloce	Dopo l'avvio della centrale, indica un errore di memoria riguardante le <u>quote</u> . Contemporaneamente, il led "Bluebus" emette una segnalazione di diagnostica: 5 lampeggi - pausa di 1 secondo - 5 lampeggi. In questo caso è necessario eseguire la fase di apprendimento delle posizioni di Apertura e Chiusura (vedere paragrafo 4.5) oppure la cancellazione della memoria (vedere paragrafo 7.1).
<b>Led 3</b>	<b>Descrizione</b>
Spento	Durante il funzionamento normale indica "Chiudi sempre" non attivo.
Acceso	Durante il funzionamento normale indica "Chiudi sempre" attivo.
Lampeggia	<ul style="list-style-type: none"> <li>• Programmazione delle funzioni in corso.</li> <li>• Se lampeggia contemporaneamente ad L4 significa che è necessario eseguire la fase di apprendimento delle posizioni di Apertura e Chiusura dell'asta (vedere paragrafo 4.5).</li> </ul>
Lampeggia veloce	Dopo l'avvio della centrale, indica un errore di memoria riguardante i <u>parametri e configurazioni</u> . Contemporaneamente, il led "Bluebus" emette una segnalazione di diagnostica: 5 lampeggi - pausa di 1 secondo - 5 lampeggi. In questo caso è necessario cancellare la memoria (vedere paragrafo 8.1), l'apprendimento dei dispositivi collegati (vedere paragrafo 4.4) e l'apprendimento delle posizioni di Apertura e Chiusura (vedere paragrafo 4.5).
<b>Led 4</b>	<b>Descrizione</b>
Spento	Durante il funzionamento normale indica "Stand-By" non attivo.
Acceso	Durante il funzionamento normale indica "Stand-By" attivo.
Lampeggia	<ul style="list-style-type: none"> <li>• Programmazione delle funzioni in corso.</li> <li>• Se lampeggia contemporaneamente ad L3 significa che è necessario eseguire la fase di apprendimento delle posizioni di Apertura e Chiusura dell'asta (vedere paragrafo 4.5).</li> </ul>
Lampeggia veloce	È stato rilevato un cortocircuito oppure un sovrassorbimento in una delle 3 uscite a morsetto. Controllare le connessioni e i dispositivi collegati alle varie uscite.
<b>Led 5</b>	<b>Descrizione</b>
Spento	Durante il funzionamento normale indica "Rallentamento corto" attivo.
Acceso	Durante il funzionamento normale indica "Rallentamento lungo" attivo.
Lampeggia	Programmazione delle funzioni in corso.
Lampeggia veloce	C'è un errore nel conteggio encoder perchè non vengono letti uno o più magneti oppure il cavo non è collegato oppure è la terza manovra consecutiva in cui interviene la funzione "Rilevazione ostacoli". Controllare che tutti i magneti vengano letti ed il cavo sia collegato ed in buono stato.
<b>Led 6</b>	<b>Descrizione</b>
Spento	Durante il funzionamento normale indica "Prelampeggio" non attivo.
Acceso	Durante il funzionamento normale indica "Prelampeggio" attivo.
Lampeggia	Programmazione delle funzioni in corso.
Lampeggia veloce	<ul style="list-style-type: none"> <li>- I finecorsa sono invertiti: invertire il cablaggio dei finecorsa o verificare che sia stato impostato il parametro "Direzione di rotazione del motore".</li> <li>- A seguito dell'invio di un comando di movimento, il finecorsa non è stato liberato entro il tempo stabilito: verificare se ci sono impedimenti al movimento; eventualmente attivare la funzione "spunto".</li> </ul>
<b>Led 7</b>	<b>Descrizione</b>
Spento	Durante il funzionamento normale indica la "Sensibilità amperometrica" non attiva.
Acceso	Durante il funzionamento normale indica la "Sensibilità amperometrica" attiva.
Lampeggia	Programmazione delle funzioni in corso.
Lampeggia veloce	Errore nella comunicazione Master/Slave. Controllare se il cavo è collegato oppure controllare la polarità del cavo di collegamento Master/Slave oppure verificare che sia stata eseguita la fase di acquisizione Master/Slave per entrambe le centrali (vedi paragrafo 7.6 - "Master/Slave").
<b>Led 8</b>	<b>Descrizione</b>
Spento	Durante il funzionamento normale indica che la Chiusura dell'asta è impostata a sinistra.
Acceso	Durante il funzionamento normale indica che la Chiusura dell'asta è impostata a destra.
Lampeggia	Programmazione delle funzioni in corso.
Lampeggia veloce	Errore versione barriera. Il tipo di barriera non coincide con la versione memorizzata nella centrale. Verificare che il cablaggio versione sia in buono stato e collegato correttamente. Se l'errore continua eseguire la Cancellazione della memoria e una nuova installazione.

## 7.4.2 - Segnalazioni del lampeggiante

Se all'uscita FLASH presente sulla centrale di comando viene collegato un lampeggiante (oppure viene usato il lampeggiante a led, accessorio opzionale), questo, durante l'esecuzione di una manovra emette un lampeggio con cadenza di 1 secondo. Se si verificano delle anomalie, il lampeggiante e mette dei

lampeggi più brevi; quest'ultimi vengono ripetuti due volte divisi da una pausa di 1 secondo. Le stesse segnalazioni sono emesse anche dal lampeggiante a led (accessorio opzionale) e dal led "Bluebus". Nella **Tabella 14** sono descritte la causa e la soluzione per ogni tipo di segnalazione.

**TABELLA 14**

Segnalazione	Causa	Soluzione
1 lampeggio pausa di 1 secondo 1 lampeggio	Errore sul sistema Bluebus	La verifica dei dispositivi collegati al sistema Bluebus, che viene eseguita all'inizio della manovra, non corrisponde ai dispositivi memorizzati durante la fase di apprendimento. È possibile che siano presenti dispositivi guasti, quindi occorre verificare e sostituire. Se sono state fatte delle modifiche occorre rifare l'apprendimento dei dispositivi (vedere paragrafo 4.5).
2 lampeggi pausa di 1 secondo 2 lampeggi	Intervento di una fotocellula	All'inizio della manovra una o più fotocellule non danno il consenso al movimento; verificare se sono presenti ostacoli.
3 lampeggi pausa di 1 secondo 3 lampeggi	Intervento del limitatore della "Forza Motore"	Durante il movimento l'asta ha incontrato un maggiore attrito; verificare la causa.
4 lampeggi pausa di 1 secondo 4 lampeggi	Intervento dell'ingresso di STOP	All'inizio della manovra o durante il movimento c'è stato un intervento dell'ingresso di STOP; verificare la causa.
5 lampeggi pausa di 1 secondo 5 lampeggi	Errore nei parametri interni della centrale di comando	Togliere e ridare alimentazione. Se l'errore persiste eseguire la "Cancellazione totale della memoria" come descritto nel capitolo 7.1 e rifare l'installazione; se lo stato rimane, potrebbe esserci un guasto grave ed occorre sostituire la scheda elettronica.
6 lampeggi pausa di 1 secondo 6 lampeggi	Non utilizzato	---
7 lampeggi pausa di 1 secondo 7 lampeggi	Errore nei circuiti elettrici interni	Scollegare per qualche secondo tutti i circuiti di alimentazione, poi riprovare a inviare un comando; se lo stato rimane, potrebbe esserci un guasto grave sulla scheda oppure sui collegamenti del motore. Fare le verifiche ed eventuali sostituzioni.
8 lampeggi pausa di 1 secondo 8 lampeggi	Non utilizzato	---
9 lampeggi pausa di 1 secondo 9 lampeggi	Blocco automazione	Inviare il comando "Sblocca automazione" oppure comandare la manvra con "Passo Passo Alta priorità".

## 7.5 - Loop Detector

La centrale di comando dispone di due circuiti destinati alla rilevazione delle masse metalliche (motociclette, automobili, camion, ecc...); ogni circuito può essere completato con l'utilizzo di una spira induttiva, costituita da 1 cavo unipolare, da posizionare sotto il terreno ad una profondità di qualche centimetro.

### 7.5.1 - Funzionamento

Quando la centrale di comando, rileva una variazione di frequenza al passaggio di una massa metallica sopra la spira, attiva una manovra oppure un'uscita (uscita 1, 2, 3) per attivare il lampeggiante, la spia barriera aperta oppure le luci per l'asta. L'impostazione di fabbrica comanda una manovra di apertura dell'asta; fino a quando la spira è in funzione, non è possibile comandare la manovra di chiusura.

Quando la centrale viene alimentata esegue una calibrazione, cioè una misurazione della frequenza di funzionamento di ogni spira; se non sono collegate spire alla centrale, il circuito si spegne automaticamente dopo 30 secondi.

È possibile regolare la "sensibilità di rilevazione delle masse metalliche" su 8 livelli (vedi Tabella 7 capitolo 6). Di fabbrica è impostata al 90%.

Tramite l'utilizzo del programmatore Oview, è possibile modificare altri parametri e modi di funzionamento associati al Loop Detector.

Le programmazioni possibili sono le seguenti, vedere anche la **Tabella 15** per i valori:

- **Sensibilità loop:** imposta la variazione di frequenza minima della massa metallica, necessaria per attivare la manovra. Parametri di riferimento:
  - impostare una "sensibilità alta" per la rilevazione di masse metalliche di piccole dimensioni
  - impostare una "sensibilità bassa" per la rilevazione di masse metalliche di grandi dimensioni.
- **Alimentazione loop:** attiva oppure disattiva i circuiti del loop detector.
- **Attiva loop 1, 2:** l'intervento della spira, fa attivare il movimento dell'alzabarriera secondo le modalità di funzionamento impostate. Se la funzione viene DISATTIVATA, lo stato della spira è disponibile, programmando opportunamente una delle uscite (uscita 1, 2, 3) presenti sulla centrale, con il programmatore Oview.
- **Tempo di permanenza spira:** tempo durante il quale la spira è occupata. Passato questo tempo, si attiva automaticamente una ricalibrazione per

segnalare la spira libera.

- **Modo di funzionamento loop:** se la funzione "Attiva loop" è abilitata e il segnale di comando spira è ATTIVO, il comportamento dell'alzabarriera varia a seconda del "modo di funzionamento loop" impostato:
  - solo apre (apre condominiale)
  - solo chiude
  - alt
  - foto chiude (FOTO con inversione totale). **ATTENZIONE! – La spira configurata come "foto chiude" non è un dispositivo di sicurezza; pertanto non è garantito l'intervento in ogni condizione. In particolare, ad ogni avvio la centrale esegue una calibrazione considerando l'assenza di masse metalliche sopra le spire.**
- **Calibrazione:** avvia una procedura di calibrazione; cioè di riconoscimento della spira collegata. Nota: la calibrazione attiva automaticamente il parametro "Alimentazione loop".
- **Modi di attivazione:** vedere **Tabella 16** (relè = segnale di comando spira).
- **Tempo di attivazione Loop:** è il tempo "t" legato ai modi di funzionamento descritti nella **Tabella 16**.
- **Visualizza frequenza spire:** segnala la frequenza di oscillazione della spira selezionata in Hz.

### 7.5.2 - Installazione

#### AVVERTENZE

- Si consiglia di installare la spira magnetica vicino all'alzabarriera.
- I cavi elettrici delle spire magnetiche devono essere separati dagli altri cavi presenti nell'alzabarriera (alimentazione, accessori, ecc.).
- Se le spire magnetiche sono collegate ad alzabarriere diverse, occorre posizionarle ad almeno 1 m di distanza tra loro.
- **Importante!** – La spira magnetica deve essere fissata in modo da renderla immobile perchè eventuali movimenti, causati da una pavimentazione instabile, potrebbero causare falsi interventi.
- La dimensione della spira deve essere definita in funzione dell'applicazione; occorre tenere presente che la spira deve essere posizionata ad una distanza di almeno 20 cm da oggetti metallici fissi e, di 1 m da oggetti metallici in movimento (**fig. F**). Nota – Per ottenere un funzionamento ottimale, si consiglia di utilizzare una spira di dimensioni minori o uguali all'oggetto da rilevare.
- Solitamente la spira utilizzata per il passaggio di auto e camion è di forma

rettangolare, da posizionare a 45° rispetto alla carreggiata predisposta per il passaggio di biciclette e moto (fig. G). Nota – Si consiglia di tagliare gli angoli a 45° della traccia sul pavimento per evitare di rompere il cavo.

• **IMPORTANTE – PER EVITARE INTERFERENZE, I CAVI DI COLLEGAMENTO DELLA SPIRA DEVONO ESSERE INTRECCIATI ALMENO 20 VOLTE AL METRO E NON DEVONO ESSERE PRESENTI GIUNZIONI.** Nel caso fosse necessario prolungare il cavo, saldare i conduttori e sigillarli con della guaina termo restringente. **La lunghezza del cavo twistato deve essere inferiore a 20 m.**

01. Dopo aver determinato la dimensione della spira, ricavare un solco nel pavimento di larghezza = 8 mm e di profondità = 30-50 mm (fig. H);
02. Pulire il solco e inserire la spira, cercando di compattarla in modo da evitare che si muova;
03. Eseguire il numero di giri della spira in base al perimetro, come indicato nella **Tabella 17**: utilizzare un cavo unipolare di rame isolato da 1.5 mm<sup>2</sup> (fig. H);
04. Prima di sigillare il solco, verificare che il valore della spira induttiva sia compreso tra 100 e 400 uH oppure, tramite il programmatore Oview, veri-

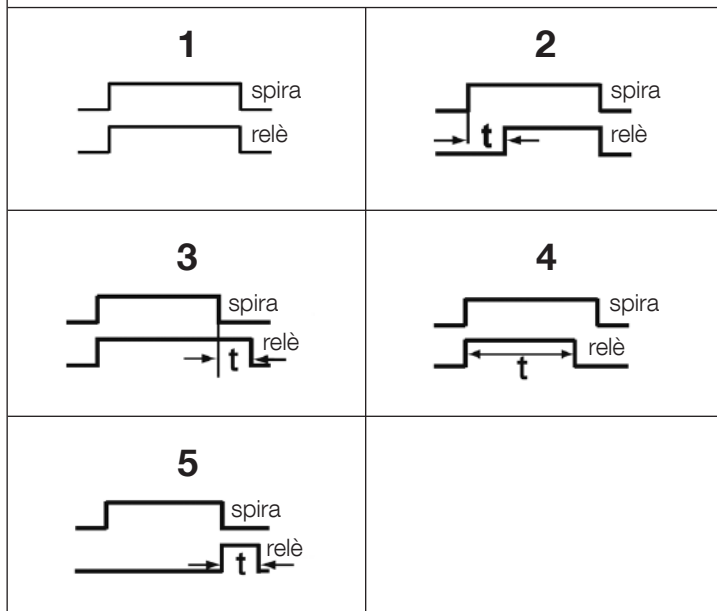
ficare che il valore della frequenza misurata (Parametro “Frequenza Loop”) sia compreso tra 30 e 90 KHz;

05. Coprire la spira con della sabbia per proteggerla e poi sigillare il solco con bitume o resina per esterni (fig. H). **Attenzione!** – La temperatura del sigillante non deve superare la temperatura massima ammessa per l’isolamento del cavo perchè altrimenti potrebbe verificarsi una perdita di isolamento verso terra.
06. I cavi elettrici devono essere collegati ai morsetti **Loop1** (fig. I) e **Loop2** (fig. L). Il morsetto Loop2 presenta 2 possibilità di collegamento (fig. L); in base al tipo di connessione usata, varia la frequenza di lavoro della spira. **Attenzione!** – Se la spira Loop1 è posizionata vicino alla spira Loop2 ed entrambi lavorano alla stessa frequenza (o quasi), potrebbero essere generate delle interferenze; in questo caso, è necessario cambiare il collegamento al morsetto Loop2.

**TABELLA 15**

Funzione	Valori	Default
Sensibilità loop 1	10 – 100%	90%
Sensibilità loop 2	10 – 100%	90%
Alimentazione loop	on – off	on
Attiva loop 1	on – off	on
Attiva loop 2	on – off	on
Modo funzionamento loop 1	selezionabile	apre
Modo funzionamento loop 2	selezionabile	apre
Tempo permanenza spira 1	2 – 20 = sempre	20 = sempre
Tempo permanenza spira 2	2 – 20 = sempre	20 = sempre
Funzione uscita 1, 2, 3: Attiva out (1,2,3) per loop 1	selezionabile	off
Funzione uscita 1, 2, 3: Attiva out (1,2,3) per loop 2	selezionabile	off
Calibrazione [eseguita anche all’avvio]	on – off	
Modo di attivazione* loop 1: Tempo loop 1	1 – 5 0 – 25 s	1 2s
Modo di attivazione* loop 2: Tempo loop 2	1 – 5 0 – 25 s	1 2s
Visualizza frequenza spira 1	0 – 100000	-
Visualizza frequenza spira 2	0 – 100000	-

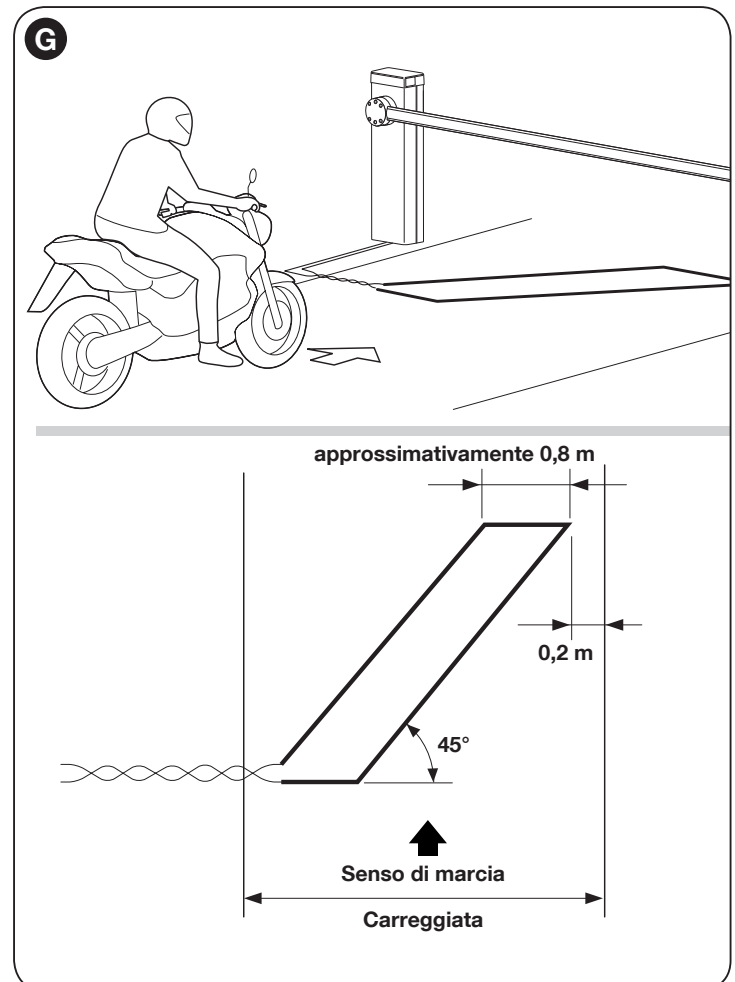
**TABELLA 16**

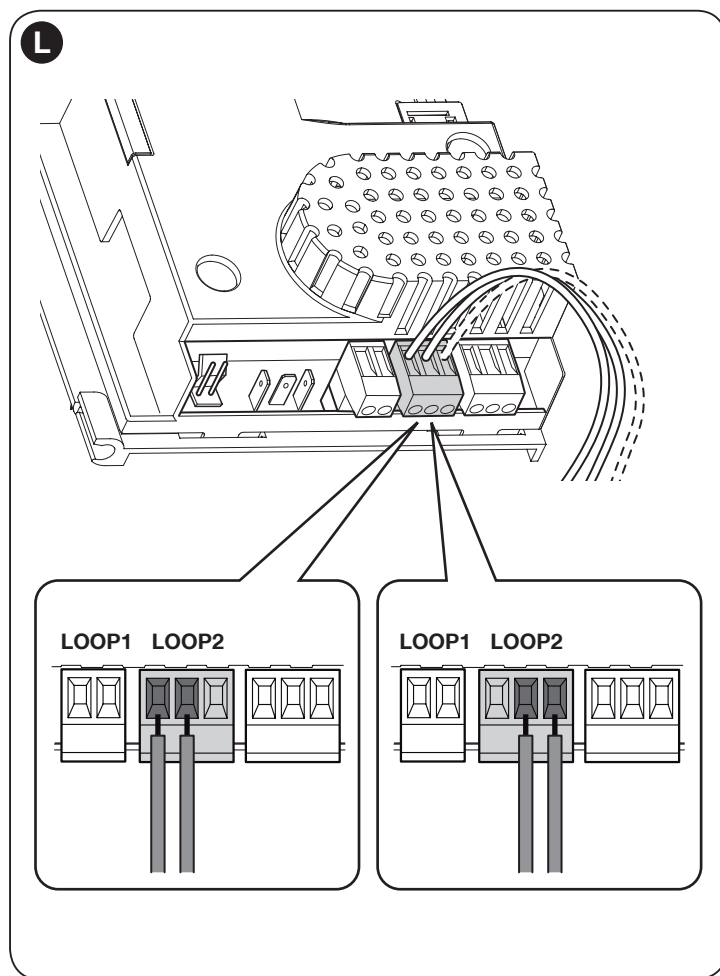
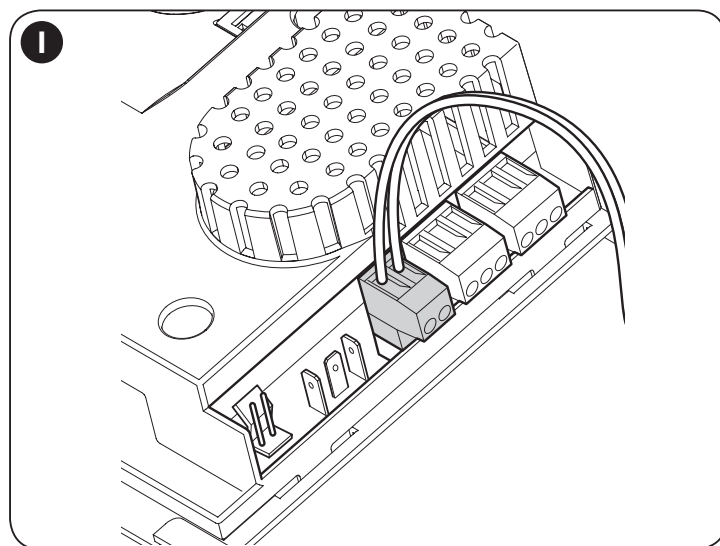
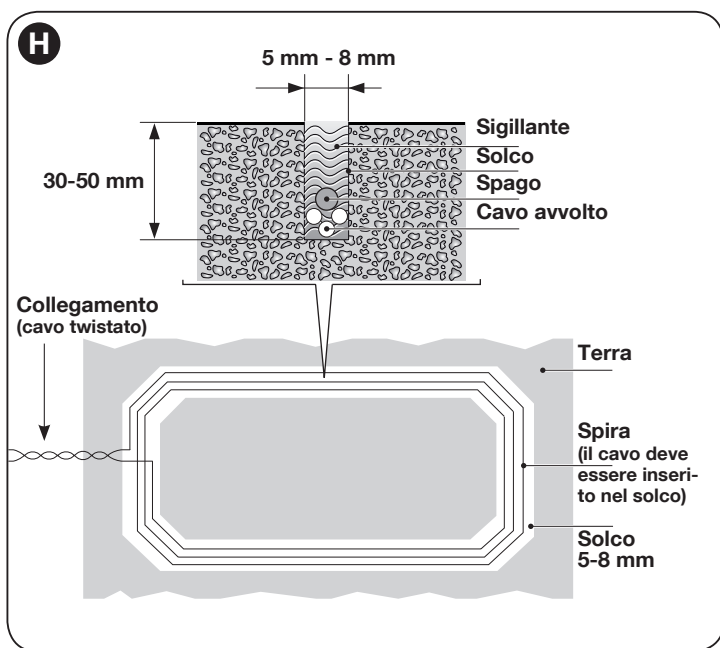
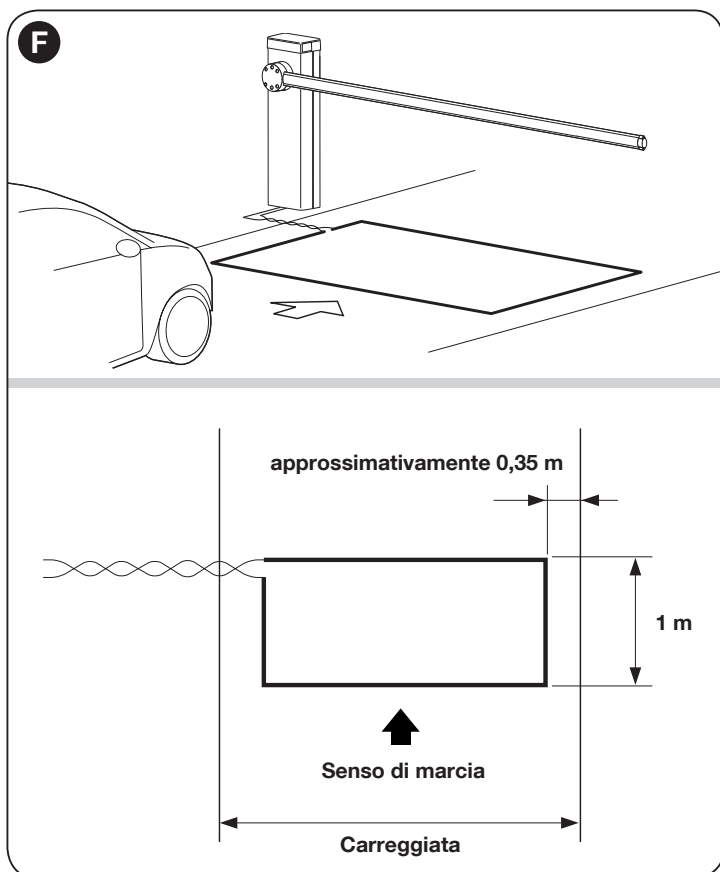


**TABELLA 17**

Perimetro della spira	Numero di giri da eseguire
2 – 4 m	6
4 – 7 m	5
7 – 12 m	4
superiore a 12 m	3

**Nota** – Se nel luogo di posizionamento della spira, sotto la pavimentazione, sono presenti eventuali armature in metallo, l’induttività della spira viene ridotta. In questo caso, occorre aggiungere 2 giri all’avvolgimento del cavo





## 7.6 - Modalità Master - Slave

Questa modalità di funzionamento viene utilizzata se si necessita di automatizzare 2 alzabARRIERE contrapposte che eseguono i movimenti in modo sincronizzato. In questa modalità, una barriera funziona come Master (maestro) e comanda le manovre, mentre la seconda funziona come Slave (servo) ed esegue i comandi inviati dall'alzabarriera Master; di fabbrica tutte le alzabARRIERE sono impostate come Master.

Per configurare l'alzabarriera come Slave bisogna attivare la funzione di primo livello "Modo Slave" (vedere Tabella 7).

Il collegamento tra Master e Slave avviene tramite BusT4 con il connettore dedicato Master/Slave.

**Attenzione!** - Nel caso venisse utilizzato il programmatore Oview è necessario modificare il parametro "Insieme" o "Indirizzo" di una delle 2 barriere. Questo per evitare la comunicazione contemporanea delle 2 centrali con il programmatore Oview.

### 7.6.1 - Installazione e collegamenti elettrici

#### Avvertenze

- Tutti i dispositivi, compreso il ricevitore radio, devono essere collegati sull'alzabarriera Master;

- Se viene utilizzata la batteria tampone, ogni alzabarriera deve avere la propria;
- Nell'alzabarriera **Slave** è possibile effettuare i seguenti collegamenti:
  - un lampeggiante (Flash) proprio
  - una Spia Asta Aperta (S.C.A.) propria
  - luci asta
  - un bordo sensibile (Stop) proprio
  - un dispositivo di comando (P.P.) proprio, che comanda l'apertura totale solo dell'asta Slave
  - gli ingressi Open e Close non vengono utilizzati
  - gli ingressi Loop1 e Loop2 programmati con modalità "Apre"
  - la ricevente radio

Per installare 2 alzabARRIERE e programmarle con modalità "Master - Slave", procedere nel modo seguente:

01. Effettuare l'installazione delle 2 alzabARRIERE (fig. M). Non è importante quale delle due, funziona come Master oppure Slave; occorre valutare la comodità per effettuare i collegamenti elettrici e che il comando "Passo-Passo" che eseguirà l'alzabarriera Slave, consentirà l'apertura totale **solo** dell'asta Slave;
02. Collegare fra loro le due Centrali tramite il connettore Master/Slave (fig. 54), rispettando la polarità indicata;

03. A questo punto, effettuare gli altri collegamenti elettrici (**fig. 54**), facendo riferimento alle indicazioni contenute nel capitolo 4 - Collegamenti elettrici;
04. Terminati tutti i collegamenti elettrici, dare alimentazione elettrica a ciascuna Centrale ed eseguire per ognuna, la procedura descritta nel paragrafo 4.2 - Prima accensione e verifica dei collegamenti.

**Attenzione!** – Se si utilizza il programmatore **Oview**, è necessario modificare il parametro “Insieme” oppure “Indirizzo” su una delle 2 centrali dell'alzabarriera; questo, per evitare che le 2 centrali comunichino contemporaneamente con l'Oview.

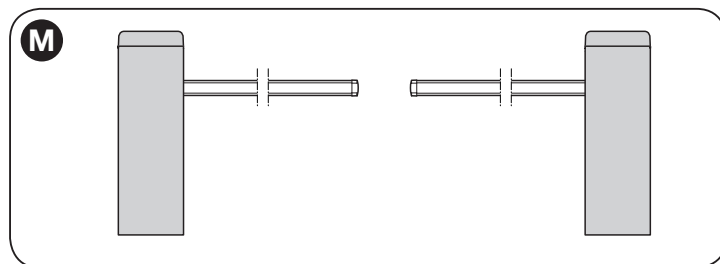
05. Nell'alzabarriera **Slave**, eseguire le seguenti programmazioni:
- Apprendimento dei dispositivi collegati (vedere paragrafo 4.4)
  - Apprendimento delle posizioni di Apertura e di Chiusura (vedere paragrafo 4.5)
  - Effettuare eventuali regolazioni
  - Attivare il parametro “Modo Slave” come descritto nel paragrafo 6.1 - Programmazione primo livello (ON-OFF).

A questo punto, il led **L7** inizia a lampeggiare per segnalare “errore di comunicazione Master-Slave”. Questo, perchè non è ancora stato eseguito l'accoppiamento della barriera Master con la barriera Slave.

**Importante!** - Nell'alzabarriera contrapposta, prima di eseguire “l'Apprendimento delle posizioni di Apertura e di Chiusura”, è necessario impostare la “Direzione di rotazione del motore” (parametro L8 - Tabella 7, paragrafo 6.1);

**Importante** – Tenere presente che durante il funzionamento, tutte le programmazioni effettuate sull'alzabarriera Slave, vengono ignorate, perchè prevalgono quelle effettuate sull'alzabarriera Master, ad esclusione di quelle riportate nella **Tabella 18** che hanno effetto solo sull'alzabarriera Slave.

06. Nell'alzabarriera **Master**, eseguire le seguenti programmazioni:
- Apprendimento dei dispositivi collegati (vedere paragrafo 4.4)
  - Apprendimento delle posizioni di Apertura e di Chiusura (vedere paragrafo 4.5)
  - effettuare eventuali regolazioni;
07. Infine, **dalla Centrale Master**, inviare un comando per eseguire una manovra e verificare che quest'ultima, venga eseguita anche dall'alzabarriera Slave.



**TABELLA 18**

Funzioni di primo livello (funzioni ON – OFF)	Funzioni di secondo livello (parametri regolabili)
Stand-by	Velocità Motore
Spunto	Uscita Flash
Modo Slave	Uscita a led
Rallentamento lungo/corto	Forza Motore
Direzione di rotazione del motore	Frenatura

**Nota** – Se si desidera utilizzare la funzione “standby totale” nelle alzabarriere con configurazione Master-Slave, occorre eseguire il collegamento elettrico utilizzando il connettore BusT4 e **non il connettore Master-Slave**.

## 8 COSA FARE SE... (guida alla risoluzione dei problemi)

Di seguito, son riportati gli eventuali casi di malfunzionamento che possono verificarsi durante la fase d'installazione oppure in caso di guasto e, i rimedi possibili:

- **Il trasmettitore radio non comanda l'alzabarriera ed il led sul trasmettitore non si accende:** verificare se le pile del trasmettitore sono scariche ed eventualmente sostituirle.
- **Il trasmettitore radio non comanda l'alzabarriera ma il led sul trasmettitore si accende:** verificare se il trasmettitore è correttamente memorizzato nel ricevitore radio. Inoltre, verificare sul trasmettitore la corretta emissione del segnale radio, eseguendo la seguente prova empirica: premere un tasto qualsiasi del trasmettitore e appoggiare il suo led sull'antenna di un comune apparecchio radio in funzione e sintonizzato sulla banda FM alla frequenza di 108,5 Mhz oppure la più prossima; in questo modo, si dovrebbe sentire un leggero rumore con pulsazione gracchiante.
- **Inviando un comando non viene eseguita nessuna manovra e il led OK non lampeggia:** verificare che l'alzabarriera sia alimentata con la tensione di rete a 230 V. Inoltre, verificare che i fusibili F1 e F2 non siano interrotti; in questo caso, verificare la causa del guasto e poi sostituirli con altri con le stesse caratteristiche; vedere **fig. 55**.
- **Inviando un comando non viene eseguita nessuna manovra e il lampeggiante è spento:** verificare che il comando venga effettivamente ricevuto; se il comando inviato arriva all'ingresso PP, il led OK esegue un doppio lampeggio per segnalare che il comando è stato ricevuto.
- **La manovra non parte e il lampeggiante emette alcuni lampeggi:** contare il numero di lampeggi e verificare il significato dei lampeggi nella **Tabella 19**.

**TABELLA 19**

### Diagnostica con led di programmazione

<b>L1 lamp veloce:</b> errore memoria dispositivi
<b>L2 lamp veloce:</b> errore memoria quote
<b>L3 lamp veloce:</b> errore memoria parametri
<b>L4 lamp veloce:</b> cortocircuito lampeggiante o luce di cortesia
<b>L5 lamp veloce:</b> errore conteggio encoder
<b>L6 lamp veloce:</b> errore finecorsa invertiti oppure finecorsa non liberato entro il tempo programmato
<b>L7 lamp veloce:</b> errore comunicazione Master-Slave
<b>L8 lamp veloce:</b> errore versione

- **La manovra viene eseguita, ma poco dopo l'asta si blocca oppure esegue una breve inversione:** la forza selezionata potrebbe avere un valore impostato, troppo basso per poter muovere la sbarra. Verificare il corretto bilanciamento dell'asta; eventualmente impostare un valore più alto di forza. **Il valore della sensibilità potrebbe essere troppo alto:** abbassare il valore della sensibilità. Se l'intervento avviene nella fase di rallentamento, occorre diminuire l'intensità della frenatura.
- **La manovra viene eseguita a velocità lenta:** la manovra non parte da uno dei finecorsa oppure la centrale non riconosce il finecorsa. Verificare il collegamento elettrico del finecorsa.
- **L'alzabarriera Slave non esegue le manovre:** verificare che sia stata eseguita la fase di apprendimento “Master-Slave” su entrambi l'alzabarriere.
- **La manovra viene eseguita al contrario:** verificare che il parametro “Direzione di rotazione del motore” (parametro L8 - Tabella 7, paragrafo 6.1) sia impostato correttamente, oppure invertire i cavi del motore.

## SMALTIMENTO DEL PRODOTTO

**Questo prodotto è parte integrante dell'automazione, e dunque, deve essere smaltito insieme con essa.**

Come per le operazioni d'installazione, anche al termine della vita di questo prodotto, le operazioni di smantellamento devono essere eseguite da personale qualificato.

Questo prodotto è costituito da vari tipi di materiali: alcuni possono essere riciclati, altri devono essere smaltiti. Informatevi sui sistemi di riciclaggio o smaltimento previsti dai regolamenti vigenti sul vostro territorio, per questa categoria di prodotto.

**Attenzione!** – alcune parti del prodotto possono contenere sostanze inquinanti o pericolose che, se disperse nell'ambiente, potrebbero provocare effetti dannosi sull'ambiente stesso e sulla salute umana.

Come indicato dal simbolo a lato, è vietato gettare questo prodotto nei rifiuti domestici. Eseguire quindi la “raccolta separata” per lo smaltimento, secondo i metodi previsti dai regolamenti vigenti sul vostro territorio, oppure riconsegnare il prodotto al venditore nel momento dell'acquisto di un nuovo prodotto equivalente.



**Attenzione!** – i regolamenti vigenti a livello locale possono prevedere pesanti sanzioni in caso di smaltimento abusivo di questo prodotto.

## CARATTERISTICHE TECNICHE DEL PRODOTTO

**AVVERTENZE:** • Tutte le caratteristiche tecniche riportate, sono riferite ad una temperatura ambientale di 20°C (± 5°C). • Nice S.p.A. si riserva il diritto di apportare modifiche al prodotto in qualsiasi momento lo riterrà necessario, mantenendone comunque la stessa funzionalità e destinazione d'uso.

Modello	M3BAR	M5BAR	M7BAR	L9BAR
<b>Tipologia</b>	Barriera stradale per uso residenziale completa di centrale elettronica di controllo			
<b>Passaggio utile (m)</b>	2,32 ÷ 2,82	3,17 ÷ 4,82	5 ÷ 7	7 ÷ 9
<b>Coppia massima allo spunto (Nm)</b>	100	200	300	400
<b>Coppia nominale (Nm)</b>	30	70	90	130
<b>Tempo di manovra (regolabile sec)</b>	1.5 – 3	3 – 6	6 – 10	8 – 12
<b>Frequenza massima cicli/ora di funzionamento alla coppia nominale</b> (la centrale limita i cicli al massimo previsto nella tabella T3)	600 uso continuo	350 uso continuo	200	150
<b>Durabilità</b>	Vedere capitolo 3 - paragrafo 3.2.1			
<b>Tensione di alimentazione</b>	230V 50/60Hz	230V 50/60Hz	230V 50/60Hz	230V 50/60Hz
<b>Tensione di alimentazione /V1</b>	120V 50/60Hz	120V 50/60Hz	120V 50/60Hz	120V 50/60Hz
<b>Potenza massima assorbita allo spunto (W)</b>	150	110	110	160
<b>Potenza massima alla coppia nominale (W)</b>	40	50	40	50
<b>Classe di isolamento</b>	1	1	1	1
<b>Alimentazione di emergenza</b>	Sì (con accessorio PS224)			
<b>Alimentazione fotovoltaica</b>	Sì (con accessorio SYKCE)			
<b>Uscita FLASH</b>	per 1 segnalatore lampeggiante LUCYB, MLB o MLBT (12V – 21W)			
<b>Uscita LIGHT</b>	per accessorio opzionale "luci asta" XBA4			
<b>Uscita SCA</b>	per spia di segnalazione 24V (max 10W)			
<b>Uscita per lampeggiante / semaforo su coperchio</b>	con accessori opzionali lampeggiante a led XBA7 o semaforo a led XBA8			
<b>Uscita BlueBUS</b>	1 uscita con carico max 12 unità Bluebus			
<b>Ingresso "STOP"</b>	Per contatti normalmente chiusi, normalmente aperti, a resistenza costante 8,2 kΩ oppure di tipo ottico OSE ; in autoapprendimento (una variazione rispetto allo stato memorizzato provoca il comando "STOP")			
<b>Ingresso "PASSO-PASSO"</b>	Per contatti Normalmente Aperti			
<b>Ingresso "APRE"</b>	Per contatti Normalmente Aperti			
<b>Ingresso "CHIUDE"</b>	Per contatti Normalmente Aperti			
<b>Innesto Radio</b>	Connettore SM per ricevitori SMXI; SMXIS; OXI o OXIT			
<b>Ingresso ANTENNA Radio</b>	50 Ω per cavo tipo RG58 o simili			
<b>Ingressi Loop Detector</b>	N°2 per loop da 2 a 16 m di circonferenza			
<b>Induttanza nominale Loop</b>	tra 100 e 400 μH			
<b>Funzioni programmabili</b>	8 funzioni di tipo ON-OFF e 8 funzioni regolabili (vedere tabelle 6 e 8) e ulteriori programmazioni tramite Unità di Programmazione e Comando Oview			
<b>Funzioni in autoapprendimento</b>	Autoapprendimento dei dispositivi collegati all'uscita BlueBUS. Autoapprendimento del tipo di dispositivo di "STOP" (contatto NA, NC o resistenza 8,2kΩ). Apprendimento delle posizioni di apertura e chiusura dell'asta e calcolo dei punti di rallentamento ed apertura parziale. Autoapprendimento della "Versione"			
<b>Temperatura di funzionamento</b>	-20°C ... +55°C	-20°C ... +55°C	-20°C ... +55°C	-20°C ... +55°C
<b>Grado di protezione</b>	IP54	IP54	IP54	IP54
<b>Dimensioni (mm)</b>	400 x 299 x 1215 h	400 x 299 x 1215 h	400 x 299 x 1215 h	500 x 299 x 1215 h
<b>Peso</b>	80 kg	80 kg	85 kg	98 kg



## ALLEGATO I

Dichiarazione di conformità da usare nel caso il prodotto non sia installato nel rispetto dei criteri riportati nel capitolo 1.3.1.

### Dichiarazione CE di conformità e dichiarazione di incorporazione di “quasi-macchine”

Dichiarazione in accordo alle Direttive:  
1999/5/CE (R&TTE); 2014/30/UE (EMC); 2006/42/CE (MD) allegato II, parte B

Nota - Il contenuto di questa dichiarazione corrisponde a quanto dichiarato nel documento ufficiale depositato presso la sede di Nice S.p.A., e in particolare, alla sua ultima revisione disponibile prima della stampa di questo manuale. Il testo qui presente è stato riadattato per motivi editoriali. Copia della dichiarazione originale può essere richiesta a Nice S.p.A. (TV) Italy.

Numero dichiarazione: **405/M-LBAR**

Revisione: **12**

Lingua: **IT**

**Nome produttore:** NICE S.p.A.

**Indirizzo:** Via Pezza Alta N°13, 31046 Rustignè di Oderzo (TV) Italy

**Tipo di prodotto:** Alzabarriera elettromeccanico

**Modello / Tipo:** M3BAR, M5BAR, M7BAR, L9BAR, M3BARI, M5BARI, M7BARI, L9BARI

**Accessori:** XBA14, XBA15, XBA4, XBA6, XBA18, XBA9, XBA7, XBA8, PS224, OVIEW Unit

Il sottoscritto Roberto Griffa in qualità di Amministratore Delegato, dichiara sotto la propria responsabilità che il prodotto sopra indicato risulta conforme alle disposizioni imposte dalle seguenti direttive:

- Direttiva 1999/5/CE DEL PARLAMENTO EUROPEO E DEL CONSIGLIO del 9 marzo 1999 riguardante le apparecchiature radio e le apparecchiature terminali di comunicazione e il reciproco riconoscimento della loro conformità, secondo le seguenti norme armonizzate:
  - Protezione della salute (art. 3(1)(a)): EN 62479:2010
  - Sicurezza elettrica (art. 3(1)(a)): EN 60950-1:2006+A11:2009+A12:2011+A1:2010+A2:2013
  - Compatibilità elettromagnetica (art. 3(1)(b)): EN 301 489-1 V1.9.2:2011, EN 301 489-3 V1.6.1:2013
  - Spettro radio (art. 3(2)): EN 300 330-2 V1.6.1:2015

In accordo alla direttiva 1999/5/CE (Allegato III), il prodotto risulta di classe 1

- DIRETTIVA 2014/35/UE DEL PARLAMENTO EUROPEO E DEL CONSIGLIO del 26 febbraio 2014 concernente l'armonizzazione delle legislazioni degli Stati membri relative alla compatibilità elettromagnetica (rifusione), secondo le seguenti norme armonizzate: EN 61000-6-2:2005, EN 61000-6-3:2007+A1:2011
- DIRETTIVA 2014/35/UE DEL PARLAMENTO EUROPEO E DEL CONSIGLIO del 26 febbraio 2014 concernente l'armonizzazione delle legislazioni degli Stati membri relative alla messa a disposizione sul mercato del materiale elettrico destinato a essere adoperato entro taluni limiti di tensione (rifusione) secondo le seguenti norme armonizzate:  
EN 60335-1:2002 + A1:2004 + A11:2004 + A12:2006 + A2:2006 + A13:2008 + A14:2010 + A15:2011  
EN 60335-2-103:2003+A11:2009, EN 62233:2008

Inoltre il prodotto risulta essere conforme alla seguente direttiva secondo i requisiti previsti per le “quasi macchine”:

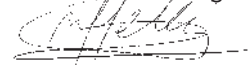
- DIRETTIVA 2006/42/CE DEL PARLAMENTO EUROPEO E DEL CONSIGLIO del 17 maggio 2006 relativa alle macchine e che modifica la direttiva 95/16/CE (rifusione)
  - Si dichiara che la documentazione tecnica pertinente è stata compilata in conformità all'allegato VII B della direttiva 2006/42/CE e che sono stati rispettati i seguenti requisiti essenziali:  
1.1.1- 1.1.2- 1.1.3- 1.2.1-1.2.6- 1.5.1-1.5.2- 1.5.5- 1.5.6- 1.5.7- 1.5.8- 1.5.10- 1.5.11
  - Il produttore si impegna a trasmettere alle autorità nazionali, in risposta ad una motivata richiesta, le informazioni pertinenti sulla “quasi macchina”, mantenendo impregiudicati i propri diritti di proprietà intellettuale.
  - Qualora la “quasi macchina” sia messa in servizio in un paese europeo con lingua ufficiale diversa da quella usata nella presente dichiarazione, l'importatore ha l'obbligo di associare alla presente dichiarazione la relativa traduzione.
  - Si avverte che la “quasi macchina” non dovrà essere messa in servizio finché la macchina finale in cui sarà incorporata non sarà a sua volta dichiarata conforme, se del caso, alle disposizioni della direttiva 2006/42/CE.

Il prodotto risulta conforme, limitatamente alle parti applicabili, alle seguenti norme:

EN 13241-1:2003+A1:2011, EN 12445:2000, EN 12453:2000, EN 12978:2003+A1:2009

Oderzo, 23 Gennaio 2017

Ing. **Roberto Griffa**  
(Amministratore Delegato)





# Manuale per l'uso

(da consegnare all'utilizzatore finale)

Prima di usare per la prima volta l'automazione, fatevi spiegare dall'installatore l'origine dei rischi residui e, dedicate qualche minuto alla lettura del manuale presente. Conservate il manuale per ogni dubbio futuro e consegnatelo ad un eventuale nuovo proprietario dell'automazione.

**ATTENZIONE! – La vostra automazione è un macchinario che esegue fedelmente i vostri comandi; un uso incosciente ed improprio può causare situazioni di pericolo:**

- Non comandate il movimento dell'automazione se nel suo raggio di azione si trovano persone, animali o cose.
- È assolutamente vietato toccare parti dell'automazione mentre l'asta è in movimento!
- Il transito è consentito solo se l'asta è completamente aperta e ferma!

## Avvertenze

**1 - Bambini:** un impianto di automazione garantisce un alto grado di sicurezza, impedendo con i suoi sistemi di rilevazione il movimento in presenza di persone o cose, e garantendo un'attivazione sempre prevedibile e sicura. È comunque prudente vietare ai bambini di giocare in prossimità dell'automazione e per evitare attivazioni involontarie non lasciare i telecomandi alla loro portata: non è un gioco!

**2 -** Il prodotto non è destinato ad essere utilizzato da persone (bambini compresi) le cui capacità fisiche, sensoriali o mentali siano ridotte, oppure con mancanza di esperienza o di conoscenza, a meno che esse abbiano potuto beneficiare, attraverso l'intermediazione di una persona responsabile della loro sicurezza, di una sorveglianza o di istruzioni riguardanti l'uso del prodotto.

**3 - Anomalie:** Non appena notate qualunque comportamento anomalo da parte dell'automazione, togliete alimentazione elettrica all'impianto ed eseguite lo sblocco manuale. Non tentate da soli alcuna riparazione, ma richiedete l'intervento del vostro installatore di fiducia: nel frattempo l'impianto può funzionare come un'apertura non automatizzata, una volta sbloccato il motoriduttore come descritto più avanti. **In caso di rotture o assenza di alimentazione**, in attesa dell'intervento del vostro installatore o del ritorno dell'energia elettrica, se l'impianto non è dotato di batterie tampone, l'automazione può essere ugualmente utilizzata. Occorre eseguire lo sblocco manuale del motoriduttore (vedere passo 9 - Sblocco e blocco manuale del motoriduttore) e muovere l'asta manualmente come si desidera.

**4 - Comando con sicurezze fuori uso:** se i dispositivi di sicurezza presenti nell'alzabarriera non dovessero funzionare correttamente, è comunque possibile comandare l'alzabarriera:

- azionare il comando dell'alzabarriera (con il trasmettitore oppure con il selettore a chiave, ecc.); se tutto è a posto, l'asta si aprirà o chiuderà normalmente, altrimenti il lampeggiante farà alcuni lampeggi e la manovra non partirà (il numero di lampeggi dipende dal motivo per cui la manovra non può partire).
- In questo caso, entro tre secondi si deve azionare nuovamente e tenere azionato il comando.
- dopo circa 2 secondi, inizierà il movimento dell'alzabarriera in modalità "uomo presente", cioè finché si mantiene il comando attivo, l'asta continuerà a muoversi, APPENA IL COMANDO VIENE RILASCIATO, L'ASTA SI FERMA.

**Con le sicurezze fuori uso è necessario far riparare quanto prima l'automatismo.**

**5 -** Anche se ritenete di saperlo fare, non modificate l'impianto ed i parametri di programmazione e di regolazione dell'automazione: la responsabilità è del vostro installatore.

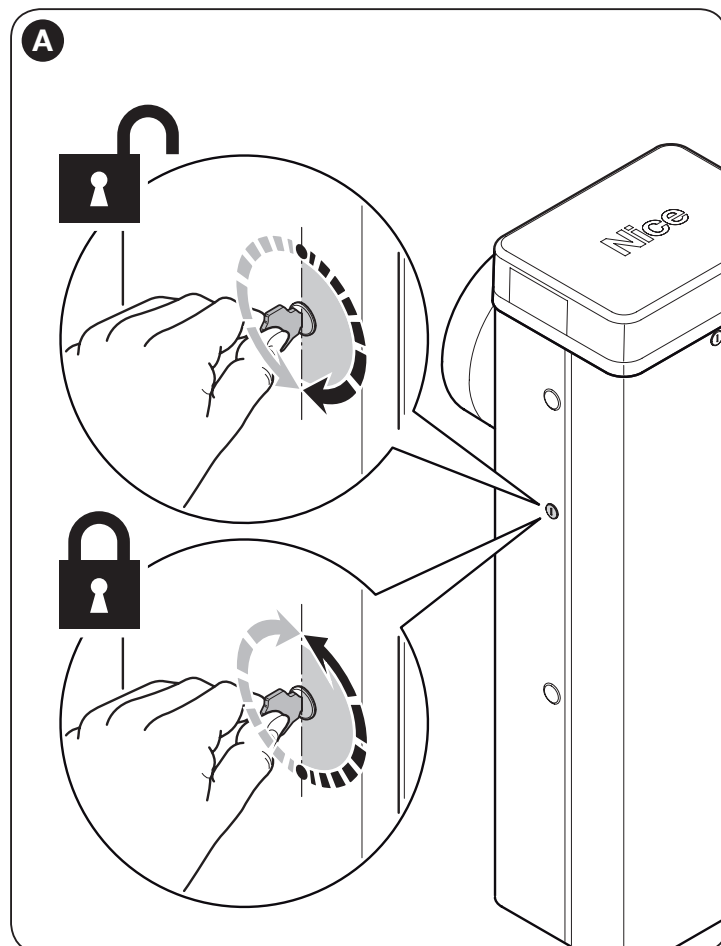
**6 -** Il collaudo, le manutenzioni periodiche e le eventuali riparazioni devono essere documentate da chi le esegue e, il proprietario dell'impianto deve conservare questi documenti. Gli unici interventi che sono possibili all'utente e che consigliamo di effettuare periodicamente, sono la pulizia dei vetri delle fotocellule e dell'automatismo. Per impedire che qualcuno possa azionare l'alzabarriera, prima di procedere, ricordatevi di sbloccare l'automatismo (come descritto più avanti) e di utilizzare per la pulizia solamente un panno leggermente inumidito con acqua.

**7 - Smaltimento:** Al termine della vita dell'automazione, assicuratevi che lo smantellamento sia eseguito da personale qualificato e che i materiali vengano riciclati o smaltiti secondo le norme valide a livello locale.

**8 - Sblocco e blocco manuale del motoriduttore:** Il motoriduttore è dotato di un sistema meccanico che consente di aprire e chiudere l'asta manualmente. Queste operazioni devono essere eseguite nei casi di black-out elettrico o di anomalie di funzionamento.

**IMPORTANTE! – L'operazione di sblocco e blocco del motoriduttore deve avvenire solo quando l'asta è ferma e in posizione orizzontale.**

Per bloccare e sbloccare manualmente l'alzabarriera, inserire la chiave in dotazione e ruotare la chiave di 180° (**fig. A**); possibilità di ruotare da entrambi i lati.





# Piano di manutenzione

## (da consegnare all'utilizzatore finale)

### REGISTRO DI MANUTENZIONE

**Importante** – Questo registro di manutenzione deve essere consegnato al proprietario dell'automazione dopo averlo compilato nelle parti richieste.

Nel presente Registro devono essere elencate tutte le attività di manutenzione, di riparazione e di modifica svolte. Il Registro dovrà essere aggiornato ad ogni intervento e conservato con cura per essere disponibile per eventuali ispezioni da parte di organismi autorizzati.

Il presente "Registro di manutenzione" si riferisce al seguente automatismo:

mod. MBAR e L9BAR - matricola n° ..... - installato in data ..... - presso .....

Fanno parte di questo "Registro di manutenzione" i seguenti documenti allegati:

- 1) - Piano di manutenzione
- 2) - .....
- 3) - .....
- 4) - .....
- 5) - .....
- 6) - .....

Secondo il documento allegato "Piano di Manutenzione", le operazioni di manutenzione devono essere svolte con la seguente periodizzazione: **ogni 6 mesi** oppure **50.000 cicli di manovre**, secondo l'evento che si verifica per primo.

### PIANO DI MANUTENZIONE

**Attenzione!** – La manutenzione dell'impianto deve essere effettuata da personale tecnico e qualificato, nel pieno rispetto delle norme per la sicurezza previste dalle leggi vigenti e delle prescrizioni sulla sicurezza riportate nel capitolo 1 - "Avvertenze e precauzioni generali per la sicurezza", presente all'inizio di questo manuale.

In generale, l'alzabarriera stradale non necessita di manutenzioni particolari; tuttavia, un controllo regolare nel tempo che consente di mantenere in efficienza l'impianto e di assicurare il regolare funzionamento dei sistemi di sicurezza installati.

Per la manutenzione dei dispositivi aggiunti all'alzabarriera stradale, seguire le disposizioni previste nei rispettivi piani di manutenzione. Come regola generale; si consiglia di eseguire un controllo periodico, con la cadenza: ogni 6 mesi o 50.000 manovre.

Si precisa che anche in caso di rottura della molla, l'alzabarriera stradale resta conforme al requisito previsto in 4.3.4 della norma EN 12604: 2000.

• Il sistema di bilanciamento dell'asta deve essere verificato almeno 2 volte l'anno, preferibilmente in corrispondenza dei cambi di stagione.

Alla cadenza prevista, per la manutenzione occorre eseguire questi controlli e sostituzioni:

- 1 Scollegare qualsiasi sorgente di alimentazione elettrica.
- 2 Verificare lo stato di deterioramento di tutti i materiali che compongono l'alzabarriera con particolare attenzione a fenomeni di corrosione o di ossidazione delle parti strutturali; sostituire le parti che non forniscono sufficienti garanzie.
- 3 Verificare che i collegamenti a vite siano stretti adeguatamente (specialmente quelli della molla di bilanciamento)
- 4 Verificare che non ci sia gioco tra la leva di bilanciamento e l'albero d'uscita. In caso avvitarlo a fondo la vite centrale.
- 5 Lubrificare la testa a snodo della molla di bilanciamento e la zanca inferiore.
- 6 Nelle versioni M7BAR e L9BAR, verificare il perfetto bloccaggio fra i due segmenti dell'asta. Eventualmente agire sulle viti di espansione.
- 7 Posizionare l'asta in posizione verticale e verificare che il passo tra le spire della molla di bilanciamento sia costante senza deformazioni.
- 8 Sbloccare e verificare il corretto bilanciamento dell'asta ed eventuali impedimenti durante l'apertura e chiusura manuale.
- 9 Ribloccare ed effettuare la procedura di collaudo.

**10 Verifica della salvaguardia per il pericolo di sollevamento:** negli automatismi con movimento verticale è necessario verificare che non sia presente il pericolo di sollevamento. Questa prova può essere eseguita nel modo seguente: appendere a metà della lun-

ghezza dell'asta un peso di 20 kg (ad esempio, un sacco di ghiaia), comandare una manovra di Apertura e verificare che durante questa manovra l'asta non superi l'altezza di 50 cm dalla sua posizione di chiusura. Nel caso l'asta superi questa altezza, occorre ridurre la forza motore (vedere capitolo 6 - Tabella 7).

**11** Se le situazioni pericolose provocate dal movimento dell'asta sono state salvaguardate mediante la limitazione della forza d'impatto si deve eseguire la misura della forza secondo quanto previsto dalla norma EN 12445 ed eventualmente, se il controllo della "forza motore" viene usato come ausilio al sistema per la riduzione della forza d'impatto, provare e infine trovare la regolazione che dia i risultati migliori.

**12 Verifica dell'efficienza del sistema di sblocco:** porre l'asta in posizione di Chiusura ed effettuare lo sblocco manuale del motoriduttore (vedere paragrafo 3.6) verificando che questo avvenga senza difficoltà. Verificare che la forza manuale per muovere l'asta in Apertura, non sia superiore a 200 N (circa 20 kg); la forza è misurata perpendicolare all'asta e ad 1 m dall'asse di rotazione. Infine, verificare che la chiave necessaria per lo sblocco manuale sia disponibile presso l'automatismo.

**13 Verifica del sistema di sconnessione dell'alimentazione:** agendo sul dispositivo di sconnessione dell'alimentazione e scollegando le eventuali batterie tampone, verificare che tutti i led presenti sulla centrale siano spenti e che inviando un comando l'asta resti ferma. Verificare l'efficienza del sistema di blocco per evitare la connessione non intenzionale o non autorizzata.

Data	<b>Descrizione dell'intervento effettuato</b> (Descrizione delle verifiche, regolazioni, riparazioni, modifiche...)	<b>Firma del Tecnico</b>	<b>Firma del Proprietario</b>
	<input type="checkbox"/> Sono state eseguite tutte le fasi previste dal piano manutenzione		



# Sommaire

<b>1 - INSTRUCTIONS GÉNÉRALES : SÉCURITÉ - INSTALLATION - UTILISATION</b>	<b>1</b>
<b>2 - DESCRIPTION DU PRODUIT ET TYPE D'UTILISATION</b>	<b>3</b>
<b>3 - INSTALLATION</b>	<b>3</b>
3.1 - Contrôles avant l'installation	3
3.2 - Limites d'utilisation du produit	3
3.2.1 - Durabilité du produit	3
3.3 - Travaux préliminaires pour l'installation	4
3.3.1 - Dresser le schéma au moyen duquel placer chaque composant de l'installation	4
3.3.2 - Déterminer le parcours des câbles	4
3.3.3 - a) - Placer le ressort d'équilibrage en fonction du poids de la lisse équipée des accessoires prévus b) - Régler la direction de fermeture de la lisse : à droite ou à gauche du moteur	4
3.4 - Fixation de la barrière	4
3.4.1 - Si la surface d'appui existe	4
3.4.2 - Si la surface d'appui n'existe pas	5
3.5 - Installation de la lisse et des accessoires prévus	5
3.5.1 - Assemblage du support pour la lisse	5
3.5.2 - Assemblage de la lisse formée d'une pièce unique, entière ou coupée	5
3.5.3 - Assemblage de la lisse formée de deux pièces, entières ou coupées	6
3.5.4 - Installation des accessoires prévus pour la lisse	6
3.6 - Déverrouiller et verrouiller manuellement la barrière	6
3.6.1 - Comment déplacer le cylindre de la serrure pour le blocage/déblocage manuel	6
3.7 - Réglage des butées mécaniques des fins de course	6
3.8 - Équilibrage de la lisse	6
3.8.1 - Équilibrage de la lisse M3BAR / M5BAR / M7BAR	6
3.8.2 - Équilibrage de la lisse L9BAR	6
<b>4 - CONNEXIONS ÉLECTRIQUES</b>	<b>6</b>
4.1 - Description des connexions électriques	6
4.2 - Première mise en service et vérification des connexions	7
4.3 - Fonction prédéfinies	7
4.4 - Reconnaissance des dispositifs connectés	7
4.5 - Reconnaissance des positions d'ouverture et de fermeture	7
4.6 - Vérification du mouvement de la lisse	8
4.7 - Connexion d'un récepteur radio	8
4.8 - Connexion des lumières de la lisse (accessoire en option)	8
4.9 - Connexion du clignotant à Leds mod. XBA7 ou du sémaphore à Leds mod. XBA8 (accessoire optionnel)	8
4.10 - Connexion d'autres dispositifs	8
4.10.1 - Unité de programmation Oview	8
4.10.2 - Batterie tampon mod. PS224 (accessoire)	8
4.10.3 - Système Solemyo (alimentation photovoltaïque)	8
<b>5 - ESSAI ET MISE EN SERVICE</b>	<b>9</b>
5.1 - Essai	9
5.2 - Mise en service	9
<b>6 - PROGRAMMATION DE LA LOGIQUE DE COMMANDE</b>	<b>10</b>
6.1 - Programmation premier niveau (ON-OFF)	10
6.2 - Programmation deuxième niveau (paramètres réglables)	10
<b>7 - APPROFONDISSEMENTS</b>	<b>12</b>
7.1 - Effacement total de la mémoire de la logique de commande	12
7.2 - Autres fonctions	12
7.3 - Ajouter ou enlever des dispositifs	13
7.3.1 - Entrée Bluebus	13
7.3.2 - Photocellules	13
7.3.3 - Sélecteur numérique MOTB et lecteur de proximité pour cartes à transpondeur MOMB	13
7.3.4 - Entrée STOP	13
7.4 - Diagnostic	14
7.4.1 - Signalisations de la logique de commande	14
7.4.2 - Signalisations du clignotant	16
7.5 - Détecteur à boucles	16
7.5.1 - Fonctionnement	16
7.5.2 - Installation	16
7.6 - Modalité Maître - Esclave	18
7.6.1 - Installation et câblage électriques	18
<b>8 - QUE FAIRE SI... (guide pour la résolution des problèmes)</b>	<b>19</b>
• Mise au rebut du produit	19
• Caractéristiques techniques du produit	20
• Déclaration de conformité: annexe I (annexe détachable)	21
• Manuel pour l'utilisateur (annexe détachable)	23
• Plan de maintenance (annexe détachable)	25
<b>FIGURES</b>	<b>I - XIX</b>

Les recommandations suivantes sont transcrites directement des Réglementations et, dans la mesure du possible, applicables au produit en question.

### 1.1 - Consignes de sécurité

**ATTENTION** Instructions importantes pour la sécurité. Il est important de suivre toutes les instructions fournies étant donné qu'une installation incorrecte est susceptible de provoquer des dommages graves

**ATTENTION** Instructions importantes pour la sécurité. Pour la sécurité des personnes, il est important de suivre ces instructions. Conserver ces instructions

- Avant de commencer l'installation, vérifier les « Caractéristiques techniques du produit » en s'assurant notamment qu'il est bien adapté à l'automatisation de votre pièce guidée. Dans le cas contraire, NE PAS procéder à l'installation
- Le produit ne peut pas être utilisé avant d'avoir effectué la mise en service comme l'explique le chapitre « Essai et mise en service »

**ATTENTION** Conformément à la législation européenne actuelle, la réalisation d'un automatisme implique le respect des normes harmonisées prévues par la Directive Machines en vigueur, qui permettent de déclarer la conformité présumée de l'automatisme. De ce fait, toutes les opérations de branchement au secteur électrique, d'essai, de mise en service et de maintenance du produit doivent être effectuées exclusivement par un technicien qualifié et compétent !

- Avant l'installation du produit, s'assurer que tout le matériel à utiliser est en excellent état et adapté à l'usage prévu
- Le produit ne peut être utilisé par des personnes (y compris des enfants) dont les capacités physiques, sensorielles ou mentales sont limitées, ou ne disposant pas de l'expérience ou des connaissances nécessaires
- Les enfants ne doivent pas jouer avec l'appareil
- Ne pas laisser les enfants jouer avec les dispositifs de commande du produit. Conserver les télécommandes hors de la portée des enfants

**ATTENTION** Afin d'éviter tout danger dû au réarmement accidentel du disjoncteur, cet appareil ne doit pas être alimenté par le biais d'un dispositif de manœuvre externe (ex. : temporisateur) ou bien être connecté à un circuit régulièrement alimenté ou déconnecté par la ligne

- Sur le réseau d'alimentation de l'installation, prévoir un disjoncteur (non fourni) ayant un écart d'ouverture entre les contacts qui garantisse la coupure complète du courant électrique dans les conditions prévues pour la catégorie de surtension III
- Pendant l'installation, manipuler le produit avec soin en évitant tout écrasement, choc, chute ou contact avec des liquides de quelque nature que ce soit. Ne pas positionner le produit près de sources de chaleur, ni l'exposer à des flammes nues. Toutes ces actions peuvent l'endommager et créer des dysfonctionnements ou des situations de danger. Le cas échéant, suspendre immédiatement l'installation et s'adresser au service après-vente
- Le fabricant décline toute responsabilité en cas de dommages patrimoniaux causés à des biens ou à des personnes dérivant du non-respect des instructions de montage. Dans ces cas, la garantie pour défauts matériels est exclue
- Le niveau de pression acoustique d'émission pondérée A est inférieur à 70 dB(A)
- Le nettoyage et la maintenance qui doivent être effectués par l'utilisateur ne doivent pas être confiés à des enfants sans surveillance
- Avant toute intervention (maintenance, nettoyage), il faut toujours débrancher le produit du secteur
- Contrôler fréquemment l'installation, en particulier les câbles, les ressorts et les supports pour repérer d'éventuels déséquilibres et signes d'usure ou de dommages. Ne pas utiliser l'installation en cas de réparations ou de réglages nécessaires étant donné qu'une panne ou un mauvais équilibrage de l'automatisme peut provoquer des blessures
- Les matériaux d'emballage du produit doivent être mis au rebut dans le plein respect des normes locales en vigueur
- Éloigner les personnes de l'automatisme lors de son actionnement au moyen des éléments de commande
- Durant cette opération, contrôler l'automatisme et s'assurer que les personnes restent bien à une distance de sécurité jusqu'à la fin de la manœuvre.
- Ne pas activer le produit lorsque des personnes effectuent des travaux sur l'automatisme ; débrancher l'alimentation électrique avant de permettre la réalisation de ces travaux
- Tout câble d'alimentation détérioré doit être remplacé par le fabricant, ou par son service d'assistance technique, ou par un technicien possédant son même niveau de qualification, de manière à prévenir tout risque

### 1.2 - Recommandations pour l'installation

- Avant d'installer la motorisation, contrôler que tous les organes mécaniques sont en bon état, qu'ils sont correctement équilibrés et qu'aucun obstacle n'empêche le bon actionnement de l'automatisme
- S'assurer que les éléments de commande sont bien à l'écart des organes en mouvement tout en restant directement visibles. Sous réserve de l'utilisation d'un sélecteur, les éléments de commande doivent être installés à une hauteur minimale de 1,5 m et ne doivent pas être accessibles
- En cas de mouvement d'ouverture contrôlé par un système anti-incendie, s'assurer de la fermeture des éventuelles fenêtres de plus de 200 mm par les éléments de commande

- Prévenir et éviter toute possibilité de coincement entre les parties en mouvement et les parties fixes durant les manœuvres.
- Apposer de façon fixe et définitive l'étiquette concernant la manœuvre manuelle près de l'élément qui la permet
- Après l'installation de la motorisation s'assurer que le mécanisme, le système de protection et toute manœuvre manuelle fonctionnent correctement

### 1.3 - Recommandations particulières concernant les Directives Européennes applicables au produit

#### • Directive « Produits de construction » :

Avertissements particuliers relatifs à ce produit et basés sur le Règlement des Produits de Construction 305/2011 :

- L'installation complète de ce produit, conformément à ce manuel et pour certains types d'utilisation (exception faite de l'utilisation uniquement pour les véhicules), peut être soumise aux prescriptions du Règlement 305/2011 et de la norme harmonisée correspondante EN 13241-1.

- Au paragraphe 1.3.1 « Consignes d'installation et avertissements particuliers sur les conditions requises » figurent tous les critères d'installation nécessaires pour que le produit réponde aux conditions essentielles du Règlement 305/2011 : quiconque procède à l'installation devra vérifier et s'assurer que tous ces éléments ont bien été scrupuleusement respectés.

- Le non-respect de l'un ou de plusieurs de ces critères dans l'installation et l'utilisation de la barrière levante pourrait ne pas garantir les conditions requises. **L'utilisation du produit est interdite dans ces situations tant que la personne chargée de l'installation n'aura pas vérifié la conformité effective à la directive.** Le cas échéant, la mention devra être immédiatement enlevée et la « Déclaration de conformité CE » faisant l'objet de l'annexe I du manuel ne pourra être utilisée. L'installateur deviendra par conséquent le fabricant de la « barrière automatique » et devra à ce titre respecter les conditions du Règlement 305/2011 et de la norme harmonisée correspondante EN 13241-1. Dans ce cas, la barrière levante sera considérée comme une « quasi-machine » et la Déclaration de conformité de l'annexe II pourra être utilisée (afin d'être intégrée au dossier technique).

#### • Directive « Machines » :

- Le paragraphe 1.3.1 « Consignes d'installation et avertissements particuliers sur les conditions requises » figurent tous les critères d'installation nécessaires pour que le produit réponde aux conditions essentielles de la Directive Machines. L'installateur devra vérifier et faire en sorte que tous les critères soient scrupuleusement respectés.

- Le non-respect de l'un ou de plusieurs de ces critères dans l'installation et l'utilisation de la barrière levante pourrait ne pas garantir les conditions requises. **L'utilisation du produit est interdite dans ces situations tant que la personne chargée de l'installation n'aura pas vérifié la conformité effective à la directive.** Le cas échéant, la « Déclaration de conformité CE : annexe I » ne pourra être utilisée. L'installateur deviendra par conséquent le fabricant de la « barrière automatique » et devra à ce titre respecter les conditions de la Directive Machines. Le fabricant devra effectuer l'analyse des risques qui comprend également la liste des conditions de sécurité requises par l'annexe I de la Directive Machines, en indiquant les solutions adoptées. À noter que l'analyse des risques est l'un des documents qui constituent le « dossier technique » de l'automatisme. Ce dossier devra être rempli par un installateur professionnel qui pourra utiliser la Déclaration de conformité de l'annexe II qu'il devra également remplir après l'installation de la barrière.

**Avertissements particuliers sur l'aptitude à l'emploi de ce produit en ce qui concerne la Directive Machines, à prendre en compte au cas où l'installateur deviendrait le fabricant.**

La barrière levante est proposée sur le marché comme « quasi-machine ». Elle

a donc été fabriquée pour être incorporée dans une machine ou pour compléter d'autres appareils en vue de réaliser « une machine » conformément à la Directive Machines uniquement en présence d'autres composants et selon les méthodes figurant dans le présent manuel. À noter, tel que le prévoit la Directive Machines, que la mise en service de ce produit n'est pas autorisée tant que le constructeur de la machine dans laquelle ce produit est incorporé ne l'a pas identifié et déclaré conforme à la Directive Machines.

#### • Directive « Basse tension » :

Avertissements particuliers sur l'aptitude à l'emploi de ce produit en ce qui concerne la Directive « Basse tension ».

Le produit respecte les normes imposées par la Directive Basse tension lorsqu'il est utilisé selon les configurations prévues dans le présent manuel et avec les articles composant le catalogue de Nice S.p.A.

Ces conditions pourraient ne pas être garanties si le produit est utilisé dans des configurations ou avec d'autres produits non prévus à cet effet. L'utilisation du produit dans ces situations est interdite tant que l'installateur n'a pas vérifié leur conformité à la Directive.

#### • Directive « Compatibilité électromagnétique » :

Avertissements particuliers sur l'aptitude à l'emploi de ce produit en ce qui concerne la Directive « Compatibilité électromagnétique ».

Le produit respecte les critères relatifs aux essais de compatibilité électromagnétique dans les conditions d'utilisation les plus critiques, dans des configurations prévues dans le présent manuel et avec les articles composant le catalogue de Nice S.p.A.

Ces conditions pourraient ne pas être garanties si le produit est utilisé dans des configurations ou avec d'autres produits non prévus à cet effet. L'utilisation du produit dans ces situations est interdite tant que l'installateur n'a pas vérifié si celles-ci sont conformes à la Directive.

#### 1.3.1 - Consignes d'installation et avertissements particuliers sur les conditions requises

En cas d'installation correcte, ce produit respecte les conditions stipulées dans le Règlement 305-2011 conformément aux prescriptions de la norme harmonisée EN 13241-1, comme l'indique le **Tableau 1**, et dans la Directive européenne sur les « machines ».

**Attention !** – Si la barrière n'est utilisée que pour le passage de véhicules, elle est exclue du champ d'application de la norme EN 13241-1. Dans ce cas, le respect de certaines conditions indiquées dans le Tableau A pourrait ne pas être obligatoire. Le passage est considéré comme « exclusivement véhiculaire » lorsque d'autres types de passages (ex. : pour piétons) sont expressément interdits par le biais d'une signalisation adéquate et qu'un espace approprié a été prévu à proximité immédiate pour permettre par contre d'autres passages requis.

#### • Émission de substances dangereuses

Le produit ne contient ni n'émet de substances dangereuses, conformément à la norme EN 13241-1 et selon la liste des substances reprise sur le site de la Communauté européenne.

**Avertissement particulier pour garantir le respect de la condition requise** – Les autres produits utilisés lors de l'installation, comme les câbles électriques, doivent eux aussi être conformes à cette exigence.

#### • Résistance à la charge du vent

Le **Tableau 1a** indique la résistance de la lisse à la pression différentielle du vent. Les essais ont été réalisés avec une lisse dotée d'un profilé amortisseur de chocs ; d'autres accessoires pourraient augmenter la surface exposée et en réduire donc la résistance à la charge du vent.

#### • Ouverture sécurisée pour portes à mouvement vertical

Le produit ne provoque pas de mouvements incontrôlés ni la chute de la lisse

**TABLEAU 1 - Exigences essentielles pour le marquage CE (selon le tableau ZA.1 de la norme EN 13241-1)**

Caractéristiques essentielles	Point de la norme	Résultat
Résistance à l'eau	4.4.2	NPD*
Dégagement de substances dangereuses	4.2.9	Conforme
Résistance à la charge du vent	4.4.3	Conforme
Résistance thermique	4.4.5	NPD*
Perméabilité à l'air	4.4.6	NPD*
Ouverture sûre pour portes à mouvement vertical	4.2.8	Conforme
Définition de la géométrie des composants en verre	4.2.5	NPD*
Résistance mécanique et stabilité	4.2.3	Conforme
Forces de manœuvre pour fermetures motorisées	4.3.3	Conforme
Durabilité de la résistance à l'eau, de la résistance thermique et de la perméabilité à l'air	4.4.7	NPD*

\* NPD = Performance non déterminée, quand le produit n'offre pas cette performance, par exemple « Perméabilité à l'air », ou quand l'exigence n'est pas applicable, par exemple « Définition de la géométrie des composants en verre ».

**TABLEAU 1a**

Barrière:	M3BAR	M5BAR	M7BAR	L9BAR
Classe	4	4	2	2*
Pression du vent [Pa]	≥ 1000	≥ 1000	≥ 450	≥ 450
Vitesse max du vent [Km/h]	155	155	104	104
Terme descriptif	Ouragan	Ouragan	Tempête violente / Tempête	Tempête violente / Tempête

\* La classe 2 a été atteinte grâce à l'utilisation de l'accessoire mod. WA11



en cas de panne d'un seul composant du système de suspension ou d'équilibrage (ressorts).

### Avertissements particuliers pour garantir le respect des conditions requises :

- Effectuer l'installation en suivant scrupuleusement toutes les indications des chapitres « 3 - Installation » et « 5 - Essai et mise en service ».
- Veiller à la mise en place d'un plan d'entretien qui respecte à la lettre le contenu du chapitre « Plan d'entretien » (fiche détachable à la fin du manuel).

#### • Résistance mécanique et stabilité

Le produit a été conçu et fabriqué de manière à ce que les forces appliquées, les chocs et l'usure subie durant l'utilisation normale ne le détériorent pas et n'en compromettent pas les performances mécaniques.

**Avertissement :** voir les indications fournies pour la condition « Ouverture sécurisée pour portes à mouvement vertical ».

#### • Forces de manœuvre pour fermetures motorisées

La lisse est protégée contre les risques d'écrasement et d'impact, durant les forces de fonctionnement qu'elle exerce, grâce à l'une des trois méthodes suivantes :

**1 Pour le fonctionnement avec « commande sans retenue automatique » (homme mort) :** comme indiqué dans la norme EN 12453. Le cas échéant, le bouton de commande doit être positionné bien en vue de l'automatisme. S'il est accessible au public, la commande doit être protégée, par exemple à l'aide d'un sélecteur à clé.

**2 Pour le fonctionnement « semi-automatique » :** moyennant la réduction des forces comme indiqué par la norme EN 12453.

**3 Pour le fonctionnement « automatique » :** moyennant la réduction des forces comme indiqué par la norme EN 12453. Dans ce cas, il faut installer au moins une paire de photocellules comme l'illustre la fig. 1.

**Avertissement particulier pour garantir le respect de la condition requise :** voir les indications fournies pour la condition « Ouverture sécurisée pour portes à mouvement vertical ».

## 2 DESCRIPTION DU PRODUIT ET APPLICATION

MBAR et L9BAR sont des barrières levantes routières électromécaniques pour usage résidentiel et industriel; Elles contrôlent l'ouverture et la fermeture d'un passage de véhicules de 3 à 8 mètres de largeur.

		ACCESSOIRES POUVANT ÊTRE INSTALLÉS				
		Lisse	Bourellets caoutchouc	Lampes	Râtelier	Appui mobile
ARMOIRE	M3BAR	3 m	oui	oui	—	—
	M5BAR	4 m	oui	oui	oui (1 pièce)	oui
		5 m	oui	oui	—	—
	M7BAR	5 m	oui	oui	oui (2 pièces)	oui
		3+3 m	oui	oui	oui (2 pièces)	oui
		3+4 m	oui	oui	—	—
	L9BAR	3+4 m	oui	oui	oui (3 pièces)	oui
		4+4 m	oui	oui	oui (3 pièces)	oui
		4+5 m	oui	oui	—	—

### ATTENTION ! – Toute autre utilisation que celle décrite et dans des conditions ambiantes différentes de celles indiquées dans ce guide doit être considérée comme impropre et interdite !

Ces barrières sont équipées d'un motoréducteur électromécanique avec moteur de 24 V, comprenant un circuit détecteur de métaux pour 2 boucles magnétiques, avec un système de fins de course électriques et feux clignotants pouvant être incorporé dans le couvercle (accessoire optionnel). Ces deux modèles, peuvent être installés en barrières opposées fonctionnant en modalité "maître-esclave" pour couvrir la surface d'un passage carrossable supérieure à 8 mètres (voir section 7.5).

La logique de commande est prévue pour être connectée à des dispositifs appartenant au Système Opera de Nice et au système d'alimentation par énergie solaire Solemyo (voir paragraphe 4.10.3).

La barrière fonctionne à l'énergie électrique et en cas de coupure de courant, il est possible de débrayer la lisse et de la manœuvrer manuellement. En alternative, il est possible d'utiliser la batterie tampon modèle PS224 (accessoire en option - voir paragraphe 4.10.2), qui permet à l'automatisme d'effectuer quelques manœuvres dans les premières heures d'absence d'alimentation électrique. Si on souhaite prolonger cette période ou le nombre de manœuvres il est bon d'activer la fonction "Stand by" (voir tableau 6).

Notes importantes à la consultation du manuel

- Dans ce manuel, la "barrière routière" se réfère à deux produits « MBAR » et « L9BAR ».

- Les accessoires mentionnés dans le manuel sont en option.

#### La liste des accessoires disponibles:

XBA4 - Lumières de la lisse M3BAR et M5BAR

XBA5 - Lisse en aluminium peinte en blanc, L. 5150mm

XBA6 - Lumières de la lisse M7BAR

XBA7 - Clignoteur à leds qui peut être branché à l'intérieur du couvercle

XBA8 - Clignoteur à leds qui peut être branché à l'intérieur du couvercle

XBA9 - Joint Universel

XBA10 - Connexion pivotante

XBA11 - Articulation pour la lisse

WA11 - Appui réglable pour lisse (obligatoire pour L9BAR)

WA12 - Support mobile

WA13 - Râtelier, L. 2000 mm

XBA13 - Kit de pare-chocs en caoutchouc

XBA14 - Lisse en aluminium laqué blanc, L. 4150 mm

XBA15 - Lisse en aluminium laqué blanc, L. 3150 mm

XBA16 - Plaque de fondation MBAR

XBA17 - Plaque de fondation L9BAR

XBA18 - Lumière pour lisse L9BAR

## 3 INSTALLATION

### 3.1 - Contrôles avant l'installation

Avant d'effectuer l'installation, il est nécessaire de vérifier l'intégrité des composants du produit, l'adéquation du modèle choisi et son adaptation au lieu prévu pour son installation :

- Vérifier que tout le matériel à utiliser est en excellent état et adapté à l'usage prévu.
- Vérifier qu'il est possible de respecter toutes les limites d'utilisation du produit (voir paragraphe 3.2).
- Vérifier que l'environnement choisi pour l'installation est compatible avec l'encombrement total du produit (**fig. 2**).
- Vérifier que la surface choisie pour la mise en place de la barrière soit solide et puisse garantir une fixation stable.
- Vérifier que la zone de fixation n'est pas sujette à inondations ; prévoir éventuellement la fixation de la barrière surélevée par rapport au sol.
- Vérifier que l'espace autour de la barrière consente une facile et sûre exécution des manœuvres manuelles.
- Vérifier que sur la trajectoire du mouvement de la lisse il n'y a pas d'obstacles pouvant empêcher les manœuvres d'ouverture et de fermeture.
- Vérifier que chaque dispositif à installer se trouve dans une position protégée, à l'abri des chocs accidentels.

### 3.2 - Limites d'utilisation du produit

Avant de procéder à l'installation du produit vérifier que toutes les valeurs indiquées dans le chapitre "Caractéristiques techniques du produit" soient compatibles avec l'utilisation prévue.

- Vérifier que la durabilité estimée (voir paragraphe 3.2.1) est compatible avec l'utilisation prévue.

- Vérifier qu'il est possible de respecter toutes les limitations, les conditions et les recommandations indiquées dans le présent manuel.

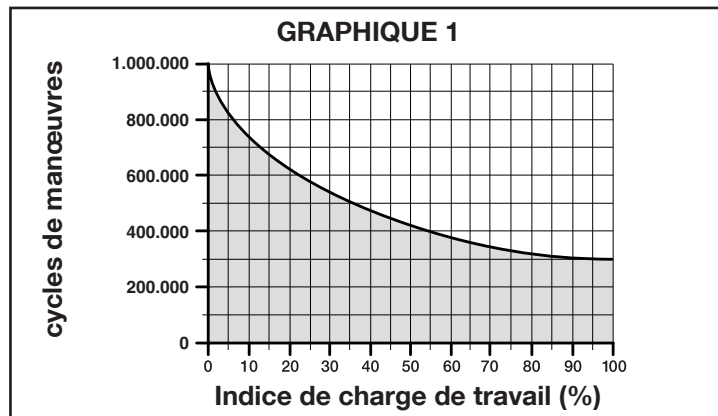
#### 3.2.1 - Durabilité du produit

La durabilité est la vie économique moyenne du produit. Le valeur de la durabilité est fortement influencée par l'indice de charge de travail des manœuvres : c'est-à-dire la somme de tous les facteurs qui contribuent à l'usure du produit, voir **Tableau 2**.

Pour calculer la durabilité de votre automatisme procéder de la façon suivante :

- 01.** Additionner les valeurs des rubriques du **Tableau 2** relatives aux conditions présentes dans l'installation ;
- 02.** Dans le **Graphique 1**, de la valeur qui vient d'être identifiée, tracer une ligne verticale jusqu'à l'intersection avec la courbe ; depuis ce point, tracer une ligne horizontale jusqu'à l'intersection de la ligne des « cycles de manœuvres ». La valeur déterminée est la **durabilité estimée** de votre produit.

Les valeurs de durabilité indiquées dans le graphique ne s'obtiennent que si le plan de maintenance est rigoureusement respecté, voir chapitre « Plan de maintenance ». L'estimation de durabilité est effectuée sur la base des calculs de projet et des résultats d'essais effectués sur les prototypes. Par conséquent, s'agissant d'une estimation, elle ne constitue en aucun cas une garantie de la durée effective du produit.



**Exemple du calcul de durabilité de la barrière routière (se référer au Tableau 2 et au Graphique 1) :** M5BAR avec support mobile (indice de charge égal à 10%) - niveau de vitesse 3 (indice charge égal à 10%) - Freinage (indice charge égal à 10%) : **indice de charge de travail total = 30%**

**La durabilité estimée est d'environ 550 000 cycles de manœuvre.**

TABLEAU 2	Indice de charge de travail			
	M3BAR	M5BAR	M7BAR	L9BAR
Articulation pour la lisse (XBA11)	20	15	—	—
Niveau vitesse 3	15	10	15	15
Niveau de la vitesse 2	0	0	10	10
Interruption manoeuvre par Photo > 10 %	15	10	15	15
Interruption manoeuvre par Halte > 10 %	10	10	15	15
Support mobile (WA12)	—	10	10	10
Freinage	10	10	10	10
Force égale à 7 ou 8	10	10	10	10
Force égale à 5 ou 6	5	5	5	5
Présence de sel	10	10	10	10
Présence de poussière ou de sable	5	5	5	5
Rack	—	5	5	5
Température ambiante supérieure à 40 ° et inférieur à 0 ° C	5	5	5	5

### 3.3 - Travaux préliminaires pour l'installation

#### 3.3.1 - Dresser le schéma au moyen duquel placer chaque composant de l'installation

Etablir la position approximative où sera installé chaque composant prévu dans l'installation en se référant au schéma standard illustré sur la **fig. 1**. Sur le schéma sont représentés tous les composants présents dans l'emballage du produit (**fig. 3**) : **[a]** barrière routière avec centrale de commande incorporé ; **[b]** support et couvercle de la lisse ; **[c]** 2 boîtiers pour photocellules ; **[d]** connecteur en aluminium de 300 mm. de long ; **[e]** bouchon lisse fixe ; 2 accouplements pour les bourrelets de caoutchouc anti-chocs ; **[f]** clés pour le déblocage et le blocage manuel de la lisse, clé et serrure du couvercle ; quincaillerie métallique (vis, rondelles, etc.) ; **[g]** plaque de foundation ; **[h]** 4 agrafes de fixation ; **[i]** connecteur en aluminium de 700 mm. de long .

#### 3.3.2 - Déterminer le parcours des câbles

**ATTENTION !** - Placer les extrémités des tubes pour le passage des câbles électriques près des points où a été prévu la fixation des différents dispositifs.

**Note** – Les tubes ont pour but de protéger les câbles électriques et d'en éviter la rupture accidentelle comme par exemple en cas de chocs. Pour préparer les câbles électriques nécessaires à votre installation se reporter à la **fig. 1** et au **tableau 3** - Caractéristiques techniques des câbles électriques ».

#### 3.3.3 - a) - Placer le ressort d'équilibrage en fonction du poids de la lisse équipée des accessoires prévus b) - Régler la direction de fermeture de la lisse : à droite ou à gauche du moteur.

La barrière sort d'usine avec les réglages suivants :

– ressort d'équilibrage ancré dans **les trous qui ne sont pas ceux définitifs**.  
– sens de **fermeture de la lisse vers la gauche**.

Ces réglages sont arbitraires ; il faut donc procéder aux vérifications suivantes pour déterminer s'ils doivent être modifiés ou non (c'est à dire s'il faut fixer le ressort dans d'autres trous du levier d'équilibrage et sur la plaque au pied de la barrière).

- S'il est prévu d'installer un seul accessoire, identifier dans le **cadre « A »** du **tableau 4** votre modèle de barrière, la longueur de lisse prévue, et en dernier, l'accessoire à monter sur la lisse ; lire alors la lettre et le nombre correspondants à ces données et se référant aux trous à sélectionner pour l'accrochage du ressort ;
- S'il est prévu d'installer plusieurs accessoires, identifier dans le **cadre « B »** du **tableau 4** votre modèle de barrière, la longueur de lisse prévue, et en dernier, le type et le nombre d'accessoires à monter sur la lisse ; faire ensuite la somme des nombres entre parenthèses associés aux accessoires prévus. Utiliser

enfin le résultat de la somme pour lire dans la partie basse du cadre « **B** », la lettre et le nombre relatifs aux trous à sélectionner pour l'accrochage du ressort.

- Si la **fermeture de la lisse doit se faire sur la droite du moteur**, il faudra déplacer l'accrochage du ressort sur un des trous de l'autre bras du levier d'équilibrage. Pour déplacer l'accrochage du ressort dans d'autres trous par rapport à ceux choisis en usine, procéder comme suit :

01. Enlever le couvercle supérieur de la barrière (**fig. 4**).
02. Dévisser les 2 vis de fixation de la porte de l'armoire (**fig. 5**).
03. – (M3BAR - M5BAR - M7BAR) Tourner dans le sens anti-horaire l'écrou indiqué sur la **fig. 6** (phase **a**) ; puis tourner manuellement le ressort dans le sens horaire pour réduire sa tension (**fig. 6** - phase **b**).  
– (L9BAR) Tourner dans le sens horaire l'écrou indiqué sur la **fig. 7** (phase **a**) pour réduire la tension du ressort d'équilibrage.
04. Dévisser le boulon d'ancrage du ressort au levier d'équilibrage (M3BAR - M5BAR - M7BAR : **fig. 6** - phase **c** ; L9BAR : **fig. 7** - phase **b**).
05. – (M3BAR - M5BAR) Décocher l'agrafe qui fixe le ressort sur la plaque perforée, placée au pied de la barrière (**fig. 6** - phase **d**).  
– (M7BAR - L9BAR) Dévisser le boulon qui fixe le ressort sur la plaque perforée, placée au pied de la barrière (**fig. 7** - phase **c**).
06. Si on désire régler la **manoeuvre de fermeture de la lisse du côté droit** de la barrière, débloquer le moto réducteur (**fig. 8** - se référer également au paragraphe 3.6), et tourner de 90° le levier d'équilibrage (**fig. 9**).
07. En se référant au **Tableau 4** identifier les nouveaux trous où accrocher les deux extrémités du ressort.
08. – (M3BAR - M5BAR) Accrocher l'agrafe du ressort à la plaque percée, placée au pied de la barrière (**fig. 10** - phase **a**) ; puis fixer l'anneau du ressort au levier d'équilibrage en serrant à fond le boulon (**fig. 10** - phase **b**).  
– (M7BAR - L9BAR) Fixer l'anneau supérieur du ressort au levier d'équilibrage en serrant à fond le boulon (**fig. 11** - phase **a**) ; fixer l'anneau inférieur du ressort à la plaque percée placée au pied de la barrière en serrant le boulon à fond (**fig. 11** - phase **b**).
09. Si au point 06 le motoréducteur a été bloqué, le bloquer à nouveau (**fig. 12**), en se référant au paragraphe 3.6.

**TABLEAU 3 - Caractéristiques techniques des câbles électriques (fig.1)**

Connexion	Type de câble	Longueur maximum admise
<b>A: Câble d'alimentation secteur</b>	3 x 1,5 mm <sup>2</sup>	30 m ( <b>note 1</b> )
<b>B: Câble BlueBUS</b>	2 x 0,5 mm <sup>2</sup>	20 m ( <b>note 2</b> )
<b>C: Câble sélecteur à clé</b>	2 câbles 2 x 0,25 mm <sup>2</sup> ( <b>note 3</b> )	30 m
<b>Câble d'entrée Open</b>	2 x 0,25 mm <sup>2</sup>	30 m
<b>Câble d'entrée Close</b>	2 x 0,25 mm <sup>2</sup>	30 m
<b>Câble clignotant (note 4) avec antenne</b>	2 x 0,5 mm <sup>2</sup>	30 m
<b>Câble voyant barre ouverte (note 4)</b>	blindé RG58	15 m (longueur conseillée : moins de 5 m)
<b>Lumières lisse (note 4)</b>	2 x 0,5 mm <sup>2</sup>	30 m
<b>Câble boucle de détection</b>	–	–
<b>Câble maître / esclave</b>	1 x 1,5 mm <sup>2</sup> torsadé ( <b>note 5</b> )	20 m torsadé ( <b>note 5</b> )
	3 x 0,5 mm <sup>2</sup>	20 m

**ATTENTION : – Les câbles utilisés doivent être adaptés au type d'environnement où est effectuée l'installation.**

**Note 1** – Si le câble d'alimentation fait plus de 30 m de long, il faut utiliser un câble d'une section supérieure (par exemple 3 x 2 mm<sup>2</sup>) et il faut réaliser une mise à la terre de sécurité à proximité de l'automatisme.

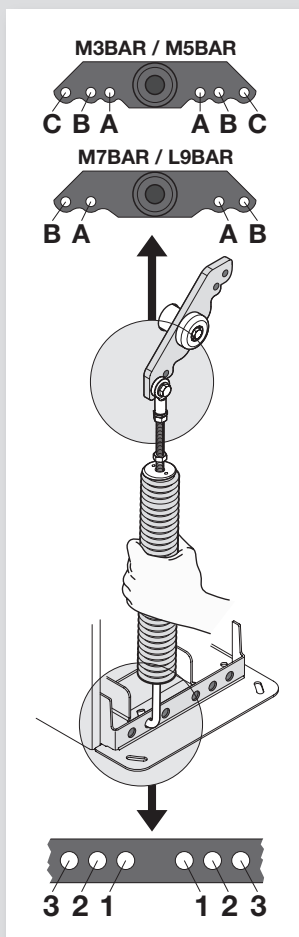
**Note 2** – Si le câble BlueBUS dépasse 20 m de longueur, jusqu'à un maximum de 40 m, utiliser un câble avec plus grande section (2x1 mm<sup>2</sup>)

**Note 3** – Ces deux fils peuvent être remplacés par 1 seul câble 4x0,5 mm<sup>2</sup>

**Note 4** – Avant d'effectuer le branchement, vérifier que la sortie soit programmée en fonction du dispositif à connecter (voir paragraphe 6.2 - Table 8).

**Nota 5** – Enrouler les deux extrémités qui sortent de la spire à raison de 20 tours par mètre.

**TABEAU 4**



A	M3BAR		M5BAR			M7BAR	L9BAR
	2,65 m XBA15 (3,15 m) - 0,50 m	3,15 m XBA15 (3,15 m)	3,50 m XBA14 (4,15 m) - 0,65 m	4,15 m XBA14 (4,15 m)	5,15 m XBA5 (5,15 m)	7,33 m XBA15 + XBA14	9,33 m XBA14 + XBA5
XBA13	A 1	A 3	B 2	B 3	C 2	B 2	B 1
XBA13	A 1	A 3	B 2	B 3	C 2	B 2	B 1
XBA11	B 3	B 3	C 1	C 3			

B	M5BAR	M7BAR	L9BAR			
	3,50 m XBA14 (4,15 m) - 0,65 m	4,15 m XBA14 (4,15 m)	5,15 m XBA5 (5,15 m)	6,33 m XBA15+XBA15 (6,30 m) - 1,30 m	7,33 m XBA15 + XBA14	8,33 m XBA14 + XBA14
XBA13	(0)	(0)	(0)	(0)	(0)	(0)
XBA13	(1)	(1)	(1)	(1)	(1)	(1)
WA13	(1)	(1)	(2)	(1)	(1)	(2)
WA12	(5)	(4)	(4)	(3)	(3)	(3)

1) - Additionnez les nombres entre parenthèses, présents dans la colonne, en ne choisissant que ceux assignés aux accessoires installés.

2) - Utilisez donc le résultat de la somme pour déterminer les trous de fixation du ressort.

0 ÷ 1 =	B 2	0 ÷ 1 =	B 3	0 ÷ 2 =	A 2	0 ÷ 2 =	B 1	0 ÷ 2 =	B 1	0 ÷ 2 =	A 1	0 ÷ 2 =	A 3
2 ÷ 7 =	B 3	2 ÷ 4 =	C 1	3 ÷ 5 =	A 2	3 ÷ 5 =	B 2	3 ÷ 5 =	B 2	3 ÷ 4 =	A 2	3 ÷ 6 =	B 1
		5 ÷ 6 =	C 2	6 ÷ 7 =	A 3					5 ÷ 6 =	A 3		

**3.4 - Fixation de la barrière**

**3.4.1 - Si la surface d'appui existe**

- Ouvrir l'armoire de la barrière (fig. 13) ;
- Poser la barrière sur la surface de fixation et tracer les emplacements des points d'ancrage (fig. 14) ;
- Déplacer la barrière et percer la surface au niveau des points qui viennent d'être tracés ; introduire dans les trous les 4 chevilles à expansion, non fournies (fig. 15) ;
- Positionner correctement la barrière et la bloquer avec des écrous et des rondelles appropriées non fournis (fig. 16).

**3.4.2 - Si la surface d'appui n'existe pas**

- Creuser le trou pour (\*) pour recevoir la plaque de fondation ;
- Prédisposer les fourreaux pour le passage des câbles électriques (fig. 17) ;
- Sur la plaque de fondation, fixer les 4 agrafes en plaçant sur chacune d'elles un écrou sur le dessus et le dessous de la plaque (fig. 17). **Attention** - L'écrou inférieur doit être vissé jusqu'à la fin de la partie fileté ;
- Procéder au coulage du béton et, avant le début de la prise, noyer la plaque de fondation qui doit affleurer à la surface, être parallèle à la lisse et parfaitement de niveau (fig. 17). Attendre la prise complète du ciment ; en général, au moins 2 semaines ;
- Retirer les 4 écrous supérieurs des agrafes ;
- Ouvrir l'armoire de la barrière (fig. 18) ;
- Positionner correctement la barrière et la bloquer avec les écrous et rondelles appropriés fournis avec la plaque de fondation et enlevés au point 04 (fig. 19).

(\*) Nota - La surface de fixation doit être parfaitement plane et lisse. Si la surface est en béton, l'épaisseur de béton doit être d'au moins 0,15 m et correctement renforcé par des armatures en fer. Le volume du béton doit être supérieur à 0,2 m<sup>3</sup> (une épaisseur de 0,25 m correspond à 0,8 m<sup>2</sup> ; c'est-à-dire égal à

une base carrée d'environ 0,9 m de côté). La fixation sur le béton peut être effectuée en utilisant 4 chevilles à expansion, munies de vis 12 MA, qui résistent à une charge à la traction d'au moins 400 kg. Si la surface de fixation est d'un matériau différent, il faut en évaluer la consistance et vérifier que les 4 points d'ancrage peuvent résister à une charge d'au moins 1000 kg. Pour la fixation utiliser des vis 12 MA.

**3.5 - Installation de la lisse et des accessoires prévus**

**3.5.1 - Assemblage du support de la lisse**

- Introduire les 2 goupilles dans les logements prévus sur l'arbre moteur de sortie (fig. 20) ;
- Positionner le support sur l'arbre moteur de sortie, en l'orientant en position de « lisse verticale » et le fixer avec les vis et les rondelles fendues; visser à fond (fig. 21) ;
- Positionner le couvercle de la lisse et le fixer partiellement avec les 6 vis fournies (fig. 22).

**3.5.2 - Assemblage de la lisse formée d'une pièce unique, entière ou coupée.** Longueurs disponibles :

- M3BAR:** 2,65 m = XBA15 (3,15 m - 0,50 m = 2,65 m)  
3,15 m = XBA15 (3,15 m)
- M5BAR:** 3,50 m = XBA14 (4,15 m - 0,65 m = 3,50 m)  
4,15 m = XBA14 (4,15 m)  
5,15 m = XBA5 (5,15 m)
- M7BAR:** 5,15 m = XBA5 (5,15 m)

- Assemblez les deux montures de la lisse (fig. 23) ;
- Entrez, à partir de la même extrémité de la lisse, les montures lorsqu'elles sont assemblées. Utiliser un maillet en caoutchouc (fig. 24) ;
- Huiler légèrement la coulisse en aluminium des deux côtés (fig. 25).

04. Exécuter ce point pour chaque coté de la lisse: Insérer le premier segment de profil pare-chocs dans la fente et le faire coulisser jusqu'au bout de la lisse; puis, introduire ensuite le joint pour profil pare-chocs (fig. 26) et répéter l'opération avec les autres segments ;
05. Le pare-chocs en caoutchouc peut dépasser d'environ 1 cm du profil (fig. 27) :
  - A) Placer l'embout de la lisse et le fixer avec deux vis (fig. 28) ;
  - B) Positionner et encastrer les deux embouts en forme les deux caches en caoutchouc (fig. 28) ;
06. Introduire la lisse complète à l'intérieur de la coque de support de la lisse, jusqu'à la butée, et visser à fond les 6 vis du support précédemment positionnées (fig. 29).

### 3.5.3 - Assemblage de la lisse formée de deux pièces, entières ou coupées. Longueurs disponibles :

**M7BAR:** 5,00 m = XBA15 (3,15 m - 1,30m = 1,85\*) + XBA15 (3,15 m)  
 6,33 m = XBA15 (3,15 m) + XBA15 (3,15 m)  
 7,33 m = XBA15 (3,15 m\*) + XBA14 (4,15 m)  
**L9BAR:** 7,33 m = XBA15 (3,15 m\*) + XBA14 (4,15 m)  
 8,33 m = XBA14 (4,15 m) + XBA14 (4,15 m)  
 9,33 m = XBA14 (4,15 m\*) + XBA5 (5,15 m)

**(\*) - ATTENTION! – Pour les lisses formées de deux parties, il est obligatoire de fixer au support d'aluminium l'élément de la lisse le plus court. Puis modifier le point 02 de la procédure de la façon suivante :**

01. Mod. M3BAR - M5BAR - M7BAR : insérer le raccord en aluminium à une extrémité de la lisse la plus courte et le bloquer avec la vis fournie (fig. 23).
02. Mod. L9BAR : insérer le raccord en aluminium à une extrémité de la lisse la plus courte et le bloquer avec la vis fournie (fig. 24).
03. Enfiler le raccord universel dans les extrémités libres des deux lisses. Prêter attention à l'orientation correcte du raccord vu que les têtes des vis doivent être du même côté des trous de la lisse (fig. 30).
04. Agir de manière identique sur les trois vis du raccord en les dévissant pour "élargir" l'articulation à l'intérieur de la lisse (fig. 31).
05. Huiler légèrement la coulisse en aluminium des deux côtés (fig. 25).
06. Exécuter ce point pour chaque coté de la lisse: Insérer le premier segment de profil pare-chocs dans la fente et le faire coulisser jusqu'au bout de la lisse; puis, introduire ensuite le joint pour profil pare-chocs (fig. 26) et répéter l'opération avec les autres segments.
07. Le pare-chocs en caoutchouc peut dépasser d'environ 1 cm du profil (fig. 27):
  - A) Placer l'embout de la lisse et le fixer avec deux vis (fig. 28).
  - B) Positionner et encastrer les deux embouts servant à recouvrir le caoutchouc (fig. 28).
08. Introduire la lisse complète à l'intérieur de la coque de support de la lisse, jusqu'à la butée, et visser à fond les 6 vis du support précédemment positionnées (fig. 29).

### 3.5.4 - Installation des accessoires prévus pour la lisse

Après avoir installé la lisse et le caoutchouc pare-chocs, avant de continuer, il est important d'installer également sur la lisse les éventuels accessoires, s'ils sont prévus. Pour leur installation se référer à leur manuels d'instructions respectifs.

### 3.6 - Déverrouiller et verrouiller manuellement la barrière

Cette opération doit être exécutée en cas de panne d'électricité ou d'anomalies de fonctionnement.

Pour bloquer ou débloquer manuellement la barrière insérer la clé en datation et la tourner de 180° à droite ou à gauche (fig. 32).

**IMPORTANT ! • L'opération de déblocage / blocage peut se faire seulement quand la lisse est immobile en position horizontale. • Il est possible de procéder au déblocage/blocage manuel des deux côtés de la barrière en déplaçant le cylindre de la serrure (voir paragraphe 3.6.1).**

#### 3.6.1 - Comment déplacer le cylindre de la serrure pour le déblocage/blocage manuel

01. Introduire la clé fournie et la tourner de 180° dans le sens horaire (fig. 33-a).
02. De l'intérieur du coffret, tirer vers le bas le clip en « U » qui bloque le cylindre de la serrure (fig. 33-b) et, à l'extérieur du coffret enlever le cylindre (fig. 33-c).
03. De l'autre côté du coffret, enlever le bouchon en plastique (fig. 34-a) et insérer le cylindre dans le trou prévu (fig. 34-b).
04. Ensuite, de l'intérieur du coffret, insérer du bas vers le haut le clip en « U » pour bloquer le cylindre de la serrure (fig. 34-c).

### 3.7 - Réglage des butées mécaniques des fins de course

01. Débrayer manuellement le motoréducteur: voir paragraphe 3.6.
02. Manuellement, faire exécuter à la lisse une manœuvre complète d'ouverture et une de fermeture.
03. Puis agir sur les butées mécaniques des fins de course (fig. 35 e 36) pour régler l'assiette horizontale de la lisse quand elle est en position fermée et l'assiette verticale quand elle est en position ouverte.
04. En dernier, bien serrer les écrous.

### 3.8 - Équilibrage de la lisse

L'opération d'équilibrage de la lisse permet de déterminer le meilleur équilibre entre le poids global de la lisse, équipée de ses accessoires montés, et la force qui lui est appliquée par la tension du ressort d'équilibrage. Pour vérifier si la tension du ressort est optimale pour équilibrer le poids de la lisse et de ses éven-

tuels accessoires, procéder comme suit.

#### 3.8.1 - Équilibrage de la lisse M3BAR / M5BAR / M7BAR

01. Débrayer manuellement le motoréducteur: voir paragraphe 3.6 ;
02. Porter manuellement la lisse à environ mi-course (45°) et la laisser dans cette position. Si la lisse tend à monter il faut réduire la tension du ressort en le tournant manuellement dans le sens horaire (fig. 37-a). Au contraire si la lisse tend à descendre il faut augmenter la tension du ressort en le tournant manuellement dans le sens anti-horaire (fig. 37-b). Note - La valeur de déséquilibre est acceptable quand la force pour déplacer la lisse\* en ouverture, fermeture et dans toutes les autres positions est inférieure ou égale à la moitié de la valeur nominale (de l'ordre de 1,5Kg pour M3; 3,5 kg pour M5 e 4,5 kg pour M7 environ 5 kg à 1 m). [(\*) Force mesurée perpendiculairement à la lisse et à 1 m de l'axe de rotation].
03. Répéter le point 02 en positionnant également la lisse à environ 20° et à environ 70°. Si la lisse reste dans sa position, cela signifie que l'équilibrage est correct ; un léger déséquilibre est admis mais **la lisse ne doit jamais bouger avec force.**
04. Bloquer le ressort d'équilibrage avec l'écrou (fig. 37-c).
05. Bloquer le motoréducteur: voir le paragraphe 3.6.

#### 3.8.2 - Équilibrage de la lisse L9BAR

01. Débrayer manuellement le motoréducteur: voir paragraphe 3.6 ;
02. Porter manuellement la lisse à environ mi-course (45°) et la laisser dans cette position. Si la lisse tend à monter il faut réduire la tension du ressort en tournant l'écrou dans le sens horaire (fig. 38-a). Au contraire si la lisse tend à descendre il faut augmenter la tension du ressort en tournant l'écrou dans le sens anti-horaire (fig. 38-b). Note - La valeur de déséquilibre est acceptable quand la force pour déplacer la lisse\* en ouverture, fermeture et dans toutes les autres positions est inférieure ou égale à la moitié de la valeur du couple nominal (pour ce produit, environ 6,5 kg à 1 m). [(\*) Force mesurée perpendiculairement à la lisse et à 1 m de l'axe de rotation].
03. Bloquer le motoréducteur: voir le paragraphe 3.6.

## 4 CONNEXIONS ÉLECTRIQUES

**ATTENTION : – Toutes les connexions doivent être effectuées en l'absence d'alimentation électrique de secteur.**

01. Retirer le couvercle en dévissant les vis et tourner la clé dans le sens horaire (fig. 39) ;
02. Faire passer les câbles à l'intérieur de la barrière en partant de la base vers la logique de commande et en les orientant vers le côté gauche de celle-ci ; Les câbles des boucles magnétiques (loop detector) par contre ainsi que ceux relatifs à la modalité "maître-esclave" doivent être acheminés sur le côté droit ;
03. Faites passer le câble d'alimentation à travers le presse-étoupe et le raccorder au bornier à 3 bornes avec fusible. Serrer le presse-étoupe en serrant la vis (fig. 40) ;
04. Procéder à la connexion des câbles restants en se référant au schéma électrique de la fig. 41. Note – Pour faciliter les connexions des câbles, les bornes peuvent être extraites de leur logement.

### 4.1 - Description des connexions électriques

• **LIGHT** = cette sortie est programmable (voir chapitre 6, paragraphe 6.2 - Programmation de deuxième niveau - paramètres réglables) et est utilisée pour connecter l'un des dispositifs suivants :

– **Clignotante** : si elle est programmée comme « clignotante » sur la sortie LIGHT on peut y brancher un clignotant NICE "LUCY B, MLB ou MLBT" équipé d'une ampoule 12V 21W de type automobile. Durant la manœuvre il clignote: allumé pendant 0,5 s et éteint pendant 0,5 s. Réglage d'usine: configuré pour fonctionner comme "Feux clignotants de la lisse " 24 V/10 W.

– **"voyant barre ouverte" - "active si barre fermée" - "active si barre ouverte" - "clignotant pour les lampes de la barre" et "voyant de maintenance"** : si la sortie "LIGHT" est programmée pour l'une de ces 5 fonctions on peut lui relier un voyant de 24 V max 10 W pour les signalisations suivantes:

#### Fonction « voyant lisse ouverte »

Lisse fermée : éteinte  
 Lisse en ouverture : clignotement lent  
 Lisse en fermeture : clignotement rapide  
 Lisse ouverte (non fermée) : allumée

#### Fonction « active si la lisse est fermée »

Lisse fermée : allumée  
 Dans tous les autres cas : éteinte

#### Fonction « active si la lisse est ouverte »

Lisse ouverte : allumée

Dans tous les autres cas : éteinte

### Fonction « clignotant pour lumières lisse »

Le voyant ou les lumières de la lisse indiquent l'exécution de la manœuvre en cours avec des clignotements à cadence régulière (0,5 seconde allumé ; 0,5 seconde éteinte)

### Fonction « voyant de maintenance »

- voyant allumé pendant 2 secondes au début de la manœuvre d'ouverture = nombre de manœuvres inférieur à 80 %

- voyant clignotant durant l'exécution de toute la manœuvre = nombre de manœuvres entre 80 et 100 %

- voyant toujours clignotant = nombre de manœuvres supérieur à 100 %.

– **Ventouse** : on peut connecter une ventouse 24 V max. 10 W (versions uniquement avec électro-aimant, sans dispositifs électroniques). Quand la lisse est fermée la ventouse s'active et bloque la lisse. Durant la manœuvre d'ouverture ou de fermeture, la sortie est désactivée.

– **Blocage électromécanique** : il est possible de connecter un verrou électrique avec pêne-piston 24 V max. 10 W (versions uniquement avec électro-aimant, sans dispositifs électroniques). Durant la manœuvre d'ouverture le verrou électrique est activé et reste actif pour libérer la lisse et exécuter la manœuvre. Durant la manœuvre de fermeture, il faut s'assurer que le verrou électrique se réenclenche mécaniquement.

– **Serrure électrique** : il est possible de connecter une serrure électrique avec pêne-piston 24 V max. 10 W (versions uniquement avec électro-aimant, sans dispositifs électroniques). Au début de la manœuvre d'ouverture, la serrure électrique est activée pendant une courte période pour libérer la lisse et exécuter la manœuvre. Durant la manœuvre de fermeture, il faut s'assurer que la serrure électrique se réenclenche mécaniquement.

• **FLASH** = cette sortie peut être programmée en utilisant le programmeur Oview. Sur cette sortie peuvent être connectés les mêmes dispositifs de la sortie LIGHT. Au départ usine cette sortie est configurée pour fonctionner en clignotant 12 V 21 W.

• **SCA** = cette sortie peut être programmée en utilisant le programmeur Oview. Sur cette sortie peuvent être connectés les mêmes dispositifs de la sortie LIGHT. Au départ usine cette sortie est configurée pour fonctionner en voyant lisse ouverte 24V/10W.

• **BLUEBUS** = sur cette borne on peut connecter des dispositifs compatibles ; ils sont tous connectés en parallèle avec seulement deux conducteurs sur lesquels transitent aussi bien l'alimentation électrique que les signaux de communication. Pour les approfondissements voir chapitre 8.

• **STOP** = entrée pour dispositifs qui bloquent ou éventuellement arrêtent la manœuvre en cours ; en intervenant sur l'entrée, il est possible de connecter des contacts type « Normalement Fermé », type « Normalement Ouvert », des dispositifs à résistance constante ou de type optique. Pour les approfondissements voir chapitre 8.

• **PP** = entrée pour dispositifs qui commandent le mouvement en mode pas à pas ; il est possible de connecter des contacts de type « Normalement Ouvert ».

• **OPEN** = entrée pour les dispositifs qui commandent le mouvement d'ouverture uniquement ; il est possible de connecter des contacts de type « Normalement Ouvert ».

• **CLOSE** = entrée pour les dispositifs qui commandent le mouvement de fermeture uniquement ; il est possible de connecter des contacts de type « Normalement Ouvert ».

• **ANTENNE** = entrée de connexion de l'antenne pour récepteur radio (l'antenne est incorporée sur LUCY B, MBL, MLBT).

• **SORTIE CARTE LED** = cette sortie est programmable (voir chapitre 6, section 6.2 - Programmation du deuxième niveau - paramètres ajustables) et est utilisé pour connecter la carte led clignotante (XBA7) ou la carte sémaphore led (XBA8). Avec le réglage d'usine, elle clignote selon la fréquence : 0,5 s allumée et 0,5 s éteinte. Les clignotements de diagnostic sont effectués.

• **LOOP1** = entrée pour connecter une boucle magnétique, pour la détection des masses métalliques. Les modes de fonctionnement associé à cette entrée peuvent être modifiés par le biais du programmeur Oview (voir paragraphe 7.5 - Détecteur à boucle). Réglage usine: configuration pour la manœuvre d'ouverture.

• **LOOP2** = entrée pour connecter une boucle magnétique, pour la détection des masses métalliques. Les modes de fonctionnement associé à cette entrée peuvent être modifiés par le biais du programmeur Oview (voir paragraphe 7.5 - Détecteur à boucle). Réglage usine: configuration pour la manœuvre d'ouverture.

• **MASTER-SLAVE** = Connecteur pour le raccordement de deux barrières dans le mode maître-esclave (voir le paragraphe 7.6 - Maître-Esclave).

**IMPORTANT ! – NE PAS CONNECTER DES DISPOSITIFS DIFFÉRENTS DE CEUX PRÉVUS.**

## 4.2 - Première mise en service et vérification des connexions

**ATTENTION** : - Le branchement définitif de l'automatisme au secteur doit être effectué exclusivement par un technicien qualifié et expérimenté, dans le respect des normes de sécurité locales en vigueur sur le territoire.

Connecter la logique de commande à une ligne d'alimentation électrique avec mise à la terre ; Prévoir un dispositif de déconnexion avec une distance d'ouverture des contacts permettant la déconnexion complète dans les conditions prescrites par la catégorie de surtension III ou bien prévoir un système de prise et fiche. Après avoir alimenté électriquement la logique de commande, effectuer les contrôles suivants :

- Vérifier que la led Bluebus clignote rapidement pendant quelques secondes puis régulièrement à raison d'un clignotement par seconde.
- S'il y a des photocellules, vérifier que leurs leds clignotent (aussi bien TX que RX) ; le type de clignotement n'est pas significatif car il dépend d'autres facteurs.
- Vérifier que le dispositif connecté à la sortie FLASH ou le clignoteur à led XBA7 est éteint (avec réglage d'usine).

Si tout cela n'a pas lieu, il faut couper immédiatement l'alimentation de la logique de commande et contrôler plus attentivement les connexions électriques effectuées.

D'autres informations utiles pour la recherche et le diagnostic des pannes sont fournies dans le chapitre 8 "Que faire si... (guide pour la résolution des problèmes)".

## 4.3 - Fonction prédéfinies

La logique de commande dispose d'une série de fonctions programmables qui sont réglées en usine avec les valeurs couramment utilisées. Il est possible de modifier à tout moment ces valeurs, pour cela : voir le chapitre 6.

## 4.4 - Reconnaissance des dispositifs connectés

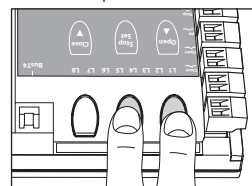
Après avoir effectué la première mise sous tension, il faut faire reconnaître par la logique de commande les dispositifs connectés aux entrées « Bluebus » et « Stop ».

**ATTENTION** : - La phase de reconnaissance doit être effectuée même si aucun dispositif n'est connecté à la logique de commande.

Pour indiquer qu'il faut effectuer cette opération, les leds « L1 » et « L2 » présentes sur la logique clignotent toutes les deux en même temps.

01. Presser et maintenir enfoncées les touches "Open" et "Set" simultanément ;
02. Relâcher les touches quand les leds « L1 » et « L2 » commencent à clignoter très rapidement (au bout d'environ 3 s) ;
03. Attendre quelques secondes que la logique termine la reconnaissance des dispositifs. À la fin de cette phase la led « Stop » doit être allumée et les leds « L1 » et « L2 » doivent s'éteindre (les leds « L3 » et « L4 » pourraient commencer à clignoter pour signaler que les distances n'ont pas été reconnues).

Cette procédure doit être répétée en cas de modification des dispositifs connectés aux bornes Bluebus et Stop ; par exemple, après avoir connecté un nouveau dispositif à la logique de commande

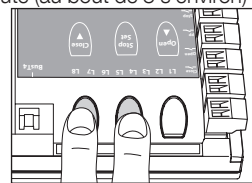


## 4.5 - Reconnaissance des positions d'ouverture et de fermeture

Après avoir exécuté la reconnaissance des dispositifs connectés, il faut que la logique de commande reconnaisse aussi les positions des butées mécaniques. Dans cette phase, la valeur de la course de la lisse est mesurée, de la butée mécanique de fermeture à celle d'ouverture.

01. Débrayer manuellement le moto-réducteur (voir chapitre 3.6) et positionner manuellement la lisse à environ 45° (à la moitié de sa course) ;
02. Bloquer le motoréducteur (voir paragraphe 3.6) ;
03. Presser et maintenir appuyé simultanément les touches "Close" et "Set" ;
04. Relâcher les touches quand la manœuvre débute (au bout de 3 s environ) ;
05. Attendre jusqu'à ce que la logique achève la phase d'apprentissage : fermeture, ouverture et fermeture de la lisse, espacées par une pause de 3 secondes.

**Avertissements** • Ne pas interrompre le déroulement des trois manœuvres : si cela devait avoir lieu il faudra répéter toute la procédure depuis le point 01. • Au cours du déroulement des trois manœuvres, s'assurer que le levier d'équilibrage de la lisse finit sa course contre les butées mécaniques de fin de course. Si ceci n'a pas lieu, arrêter la procédure, régler les butées mécaniques de fin de course et répéter la procédure à partir du point 01. Si à la fin des trois manœuvres les leds « L3 » et « L4 » clignotent, cela signifie qu'une erreur a eu lieu. Répéter alors toute la procédure à partir du point 01.



**IMPORTANT !** - Les paramètres concernant les positions de ralentissement et l'intensité du freinage sont prédéfinies par l'unité de contrôle. Il est toujours possible de les changer en agissant directement sur la logique par la modification des paramètres "L5 Ralentissement long / court (voir Tableau 6 - paragraphe 6.1)" et "L8 de freinage (voir Tableau 8 - paragraphe 6.2)" ou en utilisant le programmeur Oview .

## 4.6 - Vérification du mouvement de la lisse

Après avoir effectué la reconnaissance des dispositifs il est conseillé d'effectuer quelques manœuvres d'ouverture et de fermeture pour vérifier le mouvement correct de la lisse.

- Presser la touche "Open" pour commander une manœuvre d'ouverture; vérifier que la lisse commence à ralentir avant d'atteindre la position d'ouverture;
- Presser la touche "Close" pour commander une manœuvre de fermeture; vérifier que la lisse commence à ralentir avant d'atteindre la position de ralentissement programmée pour la fermeture;
- Durant les manœuvres, vérifier que le clignoteur à led, si présent, émette des éclats de 0,5s et reste éteint pendant 0,5s;
- Effectuer plusieurs manœuvres d'ouverture et de fermeture pour vérifier qu'il n'y a pas de points de frottement ou anomalies de fonctionnement.

**ATTENZIONE** – Si la manœuvre commence d'une position différente de celle d'une des butées mécaniques (ouverture ou fermeture), elle sera exécutée à vitesse lente.

## 4.7 - Connexion d'un récepteur radio

La logique de commande présente un connecteur type SM pour la connexion d'un récepteur radio (accessoire en option) modèle SMXI, SMXIS, OXI ou OXIT et similaires.

Pour embrocher le récepteur radio, il faut interrompre l'alimentation électrique de secteur de la logique **et embrocher le récepteur** comme indiqué **fig. 42**. Le **Tableau 5** indique les actions exécutées par la logique en fonction des sorties activées ou par les commandes envoyées par le récepteur radio.

**TABLEAU 5**

Récepteur SMXI, SMXIS, OIX, OXIT en modalité I ou II	
sortie	description
Sortie N°1	Pas à pas
Sortie N°2	Ouverture partielle (ouvre à environ 45 % ; valeur programmable avec Oview, voir paragraphe 4.10.1)
Sortie N°3	Ouverture
Sortie N°4	Fermeture
Récepteur OXI, OXIT programmé dans le « Mode II étendu »	
commande	description
Commande n° 1	Pas à pas
Commande n° 2	Ouverture partielle (ouvre à environ 45 % ; valeur programmable avec Oview, voir paragraphe 4.10.1)
Commande n° 3	Ouverture
Commande n° 4	Fermeture
Commande n° 5	Stop
Commande n° 6	Pas à pas collectif
Commande n° 7	Pas à pas Haute priorité (commande même si l'automatisme est bloqué)
Commande n° 8	Débrayage + Ouverture
Commande n° 9	Débrayage + Fermeture
Commande n° 10	Ouverture et blocage de l'automatisme
Commande n° 11	Fermeture et blocage de l'automatisme
Commande n° 12	Blocage de l'automatisme
Commande n° 13	Déblocage de l'automatisme
Commande n° 14	Pas à pas vantail maître
Commande n° 15	Pas à pas vantail esclave

## 4.8 - Connexion des lumières de la lisse (accessoire en option)

- Mettre la lisse en position verticale ;
- Dévisser les 6 vis qui fixent le couvercle supérieur de la lisse (**fig. 43**) ;
- Enlever momentanément la lisse ;
- Introduire le passe-câble à travers le trou prévu pour le passage du câble (**fig. 44**) ;
- Enfiler le câble des lumières à l'intérieur du profil pare-chocs caoutchouc, utiliser éventuellement une sonde pour en faciliter l'enfilage (**fig. 45**) ;
- Si cela s'avérait nécessaire, raccourcir la longueur du câble des lumières: on peut faire procéder à la coupe seulement sur un des point indiqués par un signe spécial. Après la coupe, il faut déplacer l'embout présent à l'extrémité coupée pour fermer la nouvelle extrémité ;
- Introduire le câble de câblage d'abord à travers le trou présent sur le support de la lisse puis, à travers le trou présent sur l'armoire (**fig. 46**) ; **Attention** – Laisser un peu plus de câble à l'intérieur du support de la lisse, de manière à permettre une rotation de 90° de la lisse sans provoquer de le câble ; tension sur le câble;
- Branchez le câble lumières à la borne LIGHT sur la logique de commande: voir schéma de la **fig. 47**. **Note** – La sortie LIGHT est polarisée : si les lumières ne s'allument pas comme programmé, il faut inverser les fils sur le bornier.
- Positionner et bloquer le connecteur à l'intérieur de la fente de la lisse (**fig. 48**);

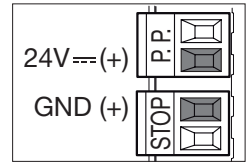
- Introduire la lisse et la bloquer avec son couvercle, en vissant avec force les 6 vis (**fig. 49**) et en faisant attention à ne pas pincer le câble de câblage.

## 4.9 - Connexion du clignotant à Leds mod. XBA7 ou sémaphore à Leds mod. XBA8 (accessoire optionnel)

Sur le couvercle de la barre on peut y appliquer un clignoteur à led mod. XBA7 ou un sémaphore à led rouge et verte mod. XBA8. Le mode de fonctionnement de ces feux clignotants peut être modifié par le programmeur Oview ou par une programmation appropriée de la logique de commande. Pour plus d'informations, consulter le manuel d'instruction des deux produits.

## 4.10 - Connexion d'autres dispositifs

Grâce à la commande intégrée, il est possible d'alimenter des dispositifs externes (un récepteur de radio ou l'éclairage de l'interrupteur à clé) en prélevant l'alimentation de la logique de commande: pour le type de branchement électrique, voir la figure sur le côté. La tension d'alimentation est de 24 V  $\approx$  (-30 ÷ +50 %) avec courant maximum disponible de 100 mA.



### 4.10.1 - Unité de programmation Oview

L'utilisation de l'unité de programmation Oview, permet une gestion rapide et complète de la phase d'installation, de maintenance et de diagnostic de toute l'automatisation. Il est possible de connecter Oview à la barrière en le connectant par le biais du connecteur BusT4 présent sur la logique de commande. Pour accéder au connecteur BusT4, il faut ouvrir le couvercle de la barrière et enficher le connecteur dans son logement (**fig. 50**).

En général, la longueur de câble séparant Oview de la logique est de 100 m maximum ; il peut être connecté à plusieurs logiques simultanément (jusqu'à 16) et peut rester connecté même durant le fonctionnement normal de l'automatisme ; pour dépasser ces limites il faut suivre les recommandations figurant dans le guide d'instructions d'Oview et dans celui du système Oview System Book. Si un récepteur radio de la série OXI est présent dans la logique de commande, avec Oview il est possible d'accéder aux paramètres des émetteurs mémorisés dans le récepteur en question. Pour des approfondissements consulter le guide d'instructions du programmeur Oview ou la fiche des fonctions de la barrière également disponible sur le site [www.niceforyou.com](http://www.niceforyou.com).

### 4.10.2 - Batterie tampon mod. PS224 (accessoire)

En cas de coupure de courant, la barrière routière est prédisposée pour être alimentée par batterie tampon modèle PS124. Pour effectuer l'installation et la connexion de la batterie, procéder de la façon suivante :

**Attention : – La connexion électrique de la batterie tampon à la logique de commande doit être effectuée uniquement après avoir conclu toutes les phases d'installation et de programmation, dans la mesure où la batterie représente une alimentation de secours.**

- Placer la batterie tampon comme indiqué dans la **fig. 51-a** ;
- Débrancher l'alimentation secteur** puis connecter le câble au connecteur approprié pour la batterie tampon (**fig. 51**) ;
- Rebrancher le secteur.

### 4.10.3 - Système Solemyo (alimentation photovoltaïque)

La barrière est prévue pour être alimentée par un système d'alimentation photovoltaïque « Solemyo ». Pour se connecter à la logique, il faut utiliser la prise à 2 broches illustrée sur la **fig. 52**.

#### IMPORTANT !

- **Quand la barrière est alimentée par le système «Solemyo», elle NE DOIT PAS être simultanément ALIMENTÉE par secteur.**
- **À cause d'une disponibilité limitée de l'énergie solaire en fonction du lieu de l'installation et à la période de l'année, la barrière ne pourra exécuter qu'un nombre maximum de manœuvres par jour. Avant l'installation du système Solemyo vérifier, dans le guide d'instructions correspondant, si le nombre maximum de manœuvres possibles est compatible avec l'utilisation prévue.**
- **Le système « Solemyo » peut être utilisé efficacement seulement si la fonction « Stand by » en modalité « Tout » (activable seulement avec l'utilisation du programmeur Oview) est active (ON) dans la logique de commande.**

Ces phases sont les plus importantes dans le cadre de la réalisation de l'automatisme afin de garantir la sécurité maximale de l'installation. La procédure d'essai peut être utilisée aussi pour vérifier périodiquement les dispositifs qui composent l'automatisation. Les phases d'essai et de mise en service de l'automatisme doivent être effectuées par du personnel qualifié et expérimenté qui devra se charger d'établir les essais nécessaires pour vérifier les solutions adoptées en fonction du risque présent et s'assurer du respect de tout ce qui est prévu par les lois, les normes et les réglementations: en particulier de toutes les exigences de la norme EN12445 qui établit les méthodes d'essai pour la vérification des automatismes pour portails et barrières routières. Toutes ces activités doivent être effectuées sous le contrôle direct de l'installateur responsable c'est-à-dire celui qui mettra son nom et sa signature dans le cadre N°1 de la déclaration de conformité (voir annexe I).

Les dispositifs supplémentaires ou en option, doivent être soumis à un essai spécifique, aussi bien en ce qui concerne leur bon fonctionnement que leur interaction correcte avec la barrière.

## 5.1 - Essai

La séquence des opérations à effectuer pour l'essai se réfère à une installation type (fig. 1) avec un type d'utilisation pour "utilisateurs non formés" et avec un type d'activation de l'automatisme à "commande automatique" qui prévoit, comme niveau minimum de protection du bord primaire, des dispositifs type C (limitation des forces – voir norme EN 12445) associés à des dispositifs type D (détecteur de présence tels que des photocellules). Compte tenu que ce type d'utilisation est parmi les plus lourdes, la même séquence d'essai peut être utilisée avec efficacité aussi dans des conditions moins critiques.

- 1 Vérifier que les consignes de sécurité prévues dans le chapitre 1 ont été rigoureusement respectées.
- 2 Vérifier l'équilibrage correct de la lisse, voir paragraphe 3.8.
- 3 Vérifier le fonctionnement correct du dispositif de débrayage manuel, voir paragraphe 3.6.
- 4 En utilisant l'émetteur ou le sélecteur à clé, effectuer des essais d'ouverture, de fermeture et d'arrêt de la barrière et vérifier que le mouvement de la lisse correspond à ce qui est prévu. Il convient d'effectuer différentes manœuvres pour contrôler le mouvement de la lisse et détecter les éventuels défauts de montage et de réglage ainsi que la présence de points de frottement.
- 5 Vérifier un à un le fonctionnement correct de tous les dispositifs de sécurité présents dans l'installation (photocellules, bords sensibles, etc.). Quand un dispositif intervient la led « Bluebus », présente sur la logique de commande, émet 2 clignotements plus rapides confirmant la reconnaissance.
- 6 Vérifier le bon fonctionnement des photocellules en procédant de la manière suivante: si un ou deux couples de cellules ont été installées, il faudra disposer pareillement de un ou deux parallélépipèdes de matériel rigide (des panneaux de bois par exemple) de 70 x 30 x 20 cm. Chaque parallélépipède devra avoir trois côtés, un pour chaque dimension, constitué d'un matériau réfléchissant (ex, miroir ou peinture blanche brillante) et trois côtés d'un matériau mat (ex. peints en noir mat). Pour l'essai des photocellules positionnées à 50 cm du sol, le parallélépipède doit être posé sur le sol ou soulevé de 50 cm pour l'essai des photocellules positionnées à 1 m du sol. Pour l'essai d'une paire de photocellules, le corps d'épreuve doit être placé exactement sous le centre de la lisse avec les côtés de 20 cm orientés vers les photocellules puis déplacé le long de toute la longueur de la lisse (fig. A). En cas d'essai de deux paires de photocellules, l'essai doit être exécuté individuellement pour chaque paire de photocellules en utilisant 1 corps d'épreuve puis répété en utilisant 2 corps d'épreuve. Chaque corps d'épreuve doit être placé latéralement par rapport au centre de la lisse, à une distance de 15 cm puis déplacé le long de toute la longueur de la lisse (fig. B). Durant ces essais, le corps d'épreuve doit être détecté par les photocellules quelle que soit la position dans laquelle il se trouve le long de toute la longueur de la lisse.
- 7 Vérifier qu'il n'y ait pas d'interférences entre les photocellules et autres dispositifs en interrompant avec un cylindre (diamètre 5 cm, longueur 30 cm) l'axe optique qui relie la paire de photocellules (fig. C) : passer d'abord le cylindre près de la photocellule TX, puis près de la RX et en dernier au centre, entre les deux photocellules. S'assurer alors que dans tous les cas le dispositif intervienne en passant de l'état d'actif à l'état d'alarme et vice versa; pour finir, s'assurer que cela provoque l'action prévue au niveau de la logique (par exemple, l'inversion du mouvement durant la manœuvre de Fermeture).
- 8 Vérifier qu'il n'existe pas de danger de levage : en matière d'automatismes à mouvement vertical il faut vérifier qu'il n'y ait pas de danger de levage. Cet essai peut être effectué de la manière suivante: suspendre à la moitié de la longueur de la lisse un poids de 20 kg (par exemple un sac de gravier), commander une manœuvre d'ouverture et vérifier que durant cette manœuvre la lisse ne dépasse pas 50 cm de hauteur de par rapport à sa position de fermeture. Si la lisse dépasse cette hauteur, il faut réduire la force moteur (voir chapitre 6 - Tableau 7).
- 9 Si la protection contre les situations dangereuses provoquées par le mouvement de la lisse a été assurée par la limitation de la force d'impact, il faut effectuer la mesure de la force conformément à ce que prévoit la norme EN 12445 et éventuellement, si le contrôle de la « force du moteur » est utilisé comme un moyen pour la réduction de la force d'impact, procéder à des essais et trouver le réglage qui donne les meilleurs résultats.
- 10 Vérification de l'efficacité du système de débrayage : mettre la lisse en

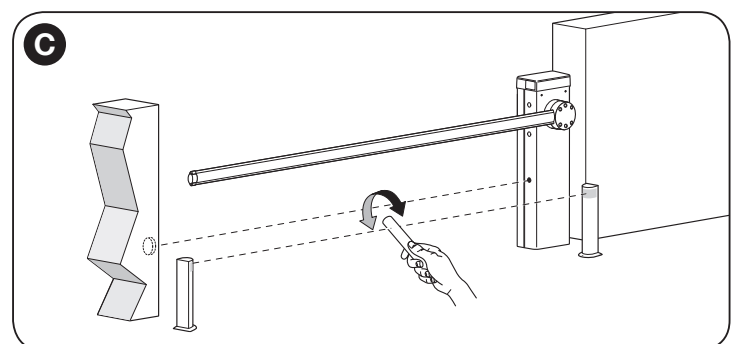
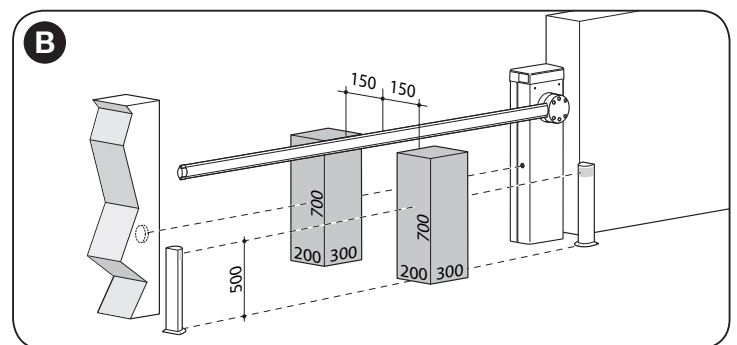
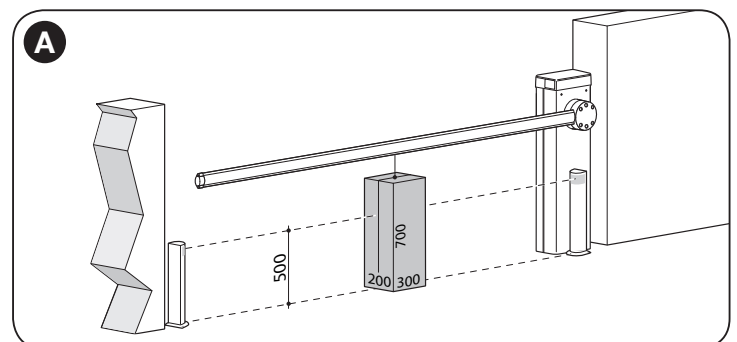
position de fermeture et effectuer le débrayage manuel de l'opérateur (voir paragraphe 3.6) en vérifiant que celui-ci se fait sans difficultés. Vérifier que la force manuelle pour bouger la lisse en ouverture n'est pas supérieure à 200 N (environ 20 kg) ; la force est mesurée perpendiculaire à la lisse et à 1 m de l'axe de rotation. Vérifier en dernier lieu que la clé nécessaire au débrayage manuel soit disponible sur l'automatisme.

**11 Vérification du système de sectionnement de l'alimentation :** en agissant sur le dispositif de sectionnement de l'alimentation et en déconnectant les éventuelles batteries tampon, vérifier que toutes les leds présentes sur la logique de commande soient éteintes et que la lisse ne bouge pas quand on envoie une commande. Vérifier l'efficacité du système de blocage pour éviter que l'automatisme soit mis de nouveau sous tension de manière non intentionnelle ou non autorisée.

## 5.2 - Mise en service

**La mise en service ne peut avoir lieu que si toutes les phases d'essai ont été effectuées avec résultat positif. La mise en service partielle ou dans des situations provisoires n'est pas autorisée.**

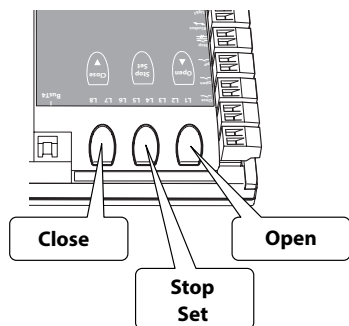
- 1 Remplir et remettre au propriétaire de l'automatisme la « Déclaration CE de conformité Annexe I », présente à la fin de ce guide dans la section détachable.
- 2 Remplir et remettre au propriétaire de l'automatisme le document « Guide de l'utilisateur » présent dans la section détachable.
- 3 Remplir et remettre au propriétaire de l'automatisme le « Plan de maintenance » qui réunit les prescriptions pour la maintenance de tous les dispositifs de l'automatisme. Pour la barrière, ce plan est présent à la fin de ce guide dans la section détachable.
- 4 Avant de mettre l'automatisme en service, informer de manière adéquate le propriétaire des dangers et des risques résiduels encore présents.
- 5 Fixer de manière permanente sur la barrière, l'étiquette présente dans l'emballage relative aux opérations de débrayage et blocage manuel du motoréducteur.
- 6 **UNIQUEMENT** pour les installations de la NON CONFORMES aux critères spécifiés dans la section 1.3.1 de ce manuel: Rédiger un dossier technique de l'automatisme, il devra comprendre les documents suivants: un dessin global de l'automatisme, le schéma des connexions électriques réalisées, l'analyse des risques présents et les solutions adoptées (voir sur le site [www.niceforyou.com](http://www.niceforyou.com) les formulaires à remplir), la déclaration de conformité du fabricant de tous les dispositifs utilisés (pour les barrières, voir annexe II) et la déclaration de conformité établie par l'installateur. Placer sur la barrière une étiquette fournissant au moins les informations suivantes: type d'automatisme, nom et adresse du constructeur (responsable de la « mise en service »), numéro de série, année de construction et marque CE.



## 6 PROGRAMMATION DE LA LOGIQUE DE COMMANDE

Sur la logique de commande il y a 3 touches **OPEN** (▲), **STOP (Set)**, **CLOSE** (▼) qui peuvent être utilisées tant pour commander la logique durant les phases d'essai que pour la programmation des fonctions disponibles.

Les fonctions programmables disponibles sont disposées sur 2 niveaux et leur état de fonctionnement est signalé par les 8 leds (**L1** ... **L8**) présents sur le panneau.



### SIGNALISATION LED :

- **Led allumé** = fonction activée;
- **Led éteint** = fonction non activée;

### TOUCHES DE PROGRAMMATION :

- **OPEN (▲)**: La touche « OPEN » permet de commander l'ouverture de la lisse ou peut être utilisée, du-

rant la programmation, pour déplacer vers le haut le point de programmation.

- **STOP (Set)**: la touche « STOP » permet d'arrêter la manœuvre; si elle est pressée pendant plus de 5 secondes, elle permet d'entrer dans la phase de programmation.

- **CLOSE (▼)**: La touche « CLOSE » permet de commander la fermeture de la lisse ou peut être utilisée, durant la programmation, pour déplacer vers le bas le point de programmation.

**ATTENTION** : - Pendant l'exécution d'une manœuvre (ouverture ou fermeture) tous les 3 touches (▲, Set, ▼) ont la fonction de STOP, causant l'interruption de la manœuvre en cours ou son inversion.

### 6.1 - Programmation premier niveau (ON-OFF)











Toutes les fonctions du premier niveau (**tableau 6**) sont programmées en usine sur « OFF » et peuvent être modifiées à tout moment, comme indiqué dans le **tableau 7**. Les paramètres sont réglables sur une échelle de valeurs de 1 à 8; pour vérifier la valeur correspondant à chaque led voir le **tableau 6**.

**IMPORTANT** – La procédure de programmation a un temps d'attente maximum de 10 secondes entre la pression d'une touche et l'autre. Une fois ce temps écoulé, la procédure prend fin automatiquement en mémorisant les modifications faites jusqu'à ce moment-là.

TABLEAU 6 - Fonctions de premier niveau

Led	Description	Exemple
L1	Fermeture automatique	Cette fonction effectue une fermeture automatique de la lisse après un temps de pause programmé. Valeur d'usine : 20 secondes. Valeur programmable de 3 à 60 secondes.
L2	Refermeture après photo	La fonction permet de maintenir la lisse dans la position ouverte uniquement pendant le temps nécessaire au transit. Quand la fonction est active, son fonctionnement varie suivant le paramètre configuré dans la fonction « Fermeture automatique » : <ul style="list-style-type: none"> <li>• avec la « fermeture automatique » <b>active</b>, la manœuvre d'ouverture s'arrête juste après que les photocellules aient été libérées et 5 s plus tard démarre la manœuvre de fermeture.</li> <li>• avec « fermeture automatique » <b>non active</b>, la lisse atteint toujours la position d'ouverture maximale (même si les photocellules sont libérées avant) et 5 s plus tard démarre la manœuvre de fermeture.</li> </ul>
L3	Ferme toujours	Cette fonction est utile en cas de panne d'électricité, même de courte durée. En effet, si la fonction est active (ON), au retour de l'énergie électrique la logique détecte la lisse en position ouverte et lance la manœuvre de fermeture qui, pour des raisons de sécurité, est précédée d'un préclignotement de 3s.
L4	Stand-by (attente)	Cette fonction réduit la consommation électrique Si elle est active, 1 minute après la fin de la manœuvre, la logique éteint les TX des photocellules « Bluebus » et toutes les leds sauf la led Bluebus qui clignotera plus lentement. Quand la logique reçoit une quelconque commande elle rétablit le mode de fonctionnement normal. <b>Pour l'utilisation de la barrière avec le système Solemyo il faut activer une modalité de Stand By encore plus poussée, le "Stand by total". Cette opération s'effectue avec le programmeur Oview.</b>
L5	Ralentissement long/court	Cette fonction permet de doubler la zone de début de ralentissement, tant en ouverture qu'en fermeture. Si la fonction n'est pas active, le ralentissement est court.
L6	Démarrage de pointe	Ce paramètre, si actif (ON), permet d'activer le démarrage de pointe (départ à vitesse maximale) pour mettre la lisse en mouvement. La valeur en sortie d'usine est "OFF".
L7	Mode esclave	En activant cette fonction la barrière devient "esclave": il est ainsi possible de synchroniser le fonctionnement de 2 barrières en opposition dans lesquelles une a la fonction de "maître" et l'autre d'"esclave"; pour de plus de détails voir le paragraphe 7.6 - Modalité maître - esclave.
L8	Sens de rotation du moteur	Ce paramètre permet d'inverser le sens de rotation du moteur pour pouvoir installer la barrière à droite ; la valeur configurée à l'usine est « OFF » (rotation standard du moteur – la fermeture de la lisse est à gauche). <b>Important – Quand cette fonction est activée il faut effectuer la reconnaissance des positions d'ouverture et de fermeture (paragraphe 4.5).</b>

TABLEAU 7 - Procédure de programmation (premier niveau)

01. Presser et maintenir enfoncée la touche « Set » pendant environ 3 s ;	 3 s
02. Relâcher la touche quand la led « L1 » commence à clignoter ;	 L1 
03. Presser la touche « ▲ » ou « ▼ » pour se déplacer de la led clignotante à la led qui correspond à la fonction à modifier ;	 /  
04. Presser la touche « Set » pour changer l'état de la fonction : (clignotement bref = OFF - clignotement long = ON) ;	  
05. Attendre 10 secondes (temps maximum) pour sortir de la programmation.	 10 s
<b>Note</b> – Pour programmer d'autres fonctions sur « ON » ou « OFF », durant l'exécution de la procédure, il faut répéter les points 03 et 04 durant la phase précédemment dite.	

### 6.2 - Programmation deuxième niveau (paramètres réglables)

Tous les paramètres du deuxième niveau sont programmés en usine (**Tableau 8**) et peuvent être modifiés à tout moment, comme illustré dans le **Tableau 9**. Les paramètres sont réglables sur une échelle de valeurs de 1 à 8; pour vérifier la valeur correspondant à chaque led voir le **Tableau 8**.

**IMPORTANT** – La procédure de programmation a un temps d'attente maximum de 10 secondes entre la pression d'une touche et l'autre. Une fois ce temps écoulé, la procédure prend fin automatiquement en mémorisant les modifications faites jusqu'à ce moment-là.




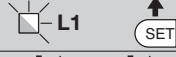


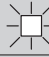
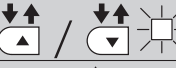


**TABLEAU 8 - Fonction de second niveau**

Led d'entrée	Paramètre	Led (niveau)	Valeur	Description
<b>L1</b>	<b>Temps Pause</b>	<b>L1</b>	3 secondes	Règle le temps de pause, c'est-à-dire le temps qui s'écoule entre la fin d'une manœuvre d'ouverture et le début de la fermeture automatique. Ce paramètre n'a d'effet que si la fermeture automatique est active.
		<b>L2</b>	5 secondes	
		<b>L3</b>	7 secondes	
		<b>L4</b>	10 secondes	
		<b>L5</b>	15 secondes	
		<b>L6</b>	20 secondes	
		<b>L7</b>	40 secondes	
		<b>L8</b>	60 secondes	
<b>L2</b>	<b>Fonction Pas à pas</b>	<b>L1</b>	Ouverture – stop – fermeture – stop	Règle la séquence de commandes associées à l'entrée ou bien à la commande radio : « Pas à pas ».
		<b>L2</b>	Ouverture – stop – fermeture – ouverture	
		<b>L3</b>	Ouverture – fermeture – ouverture – fermeture	
		<b>L4</b>	Copropriété 1	
		<b>L5</b>	Copropriété 2	
		<b>L6</b>	Pas à pas 2	
		<b>L7</b>	Personne présente	
		<b>L8</b>	Ouverture en « semi-automatique », fermeture avec commande « par action maintenue »	
<b>L3</b>	<b>Vitesse moteur</b>	<b>L1</b>	Vitesse 1 (50%)	Règle la vitesse du moteur durant la course normale.
		<b>L2</b>	Vitesse 2 (80%)	
		<b>L3</b>	Vitesse 3 (100%)	
		<b>L4</b>	Ouvre V3, Ferme V1	
		<b>L5</b>	Ouvre V1, Ferme V2	
		<b>L6</b>	Ouvre V2, Ferme V3	
		<b>L7</b>	Ouvre V3, ferme V2	
		<b>L8</b>	Ouvre V2, Ferme V1	
<b>L4</b>	<b>Sortie 1 LIGHT</b>	<b>L1</b>	Voyant lisse ouverte (24 V - 10 W)	Sélectionne le type de dispositif connecté à la sortie LIGHT. <b>Importante !</b> – Si la programmation est modifiée, vérifier que le type de tension du nouveau dispositif connecté à la borne LIGHT correspond au type de tension du niveau de programmation choisi.
		<b>L2</b>	Lisse fermée (24 V - 10 W)	
		<b>L3</b>	Lisse ouverte (24 V - 10 W)	
		<b>L4</b>	Clignotant (12 V - 21 W)	
		<b>L5</b>	Clignotant 1 (24 V - 10 W) (pour lampadaire)	
		<b>L6</b>	Serrure électrique (24 V - 10 W)	
		<b>L7</b>	Ventouse (24 V - 10 W)	
		<b>L8</b>	Voyant Maintenance (24 V - 10 W)	
<b>L5</b>	<b>Sortie led (voyant couvercle)</b>	<b>L1</b>	Clignotant (seulement durant la manœuvre)	Sélectionnez le mode de fonctionnement de l'appareil raccordé à la sortie led. Les modalités de L1 à L4 sont associables au clignoteur à led. Les modalités de L5 à L8 sont associables au sémaphore à led. <b>Important !</b> – Ne pas connecter des dispositifs différents de ceux prévus.
		<b>L2</b>	Clignotant 1 (clignote toujours)	
		<b>L3</b>	Éclairage automatique	
		<b>L4</b>	Toujours allumé	
		<b>L5</b>	Sémaphore au rouge	
		<b>L6</b>	Sémaphore au vert	
		<b>L7</b>	Sémaphore à sens unique	
		<b>L8</b>	Sémaphore à sens alterné	
<b>L6</b>	<b>Force moteur</b>	<b>L1</b>	Force 1 (basse)	Pendant le mouvement, le système de contrôle de la force du moteur ajuste la puissance du moteur pour l'adapter au poids de l'enclère.
		<b>L2</b>	Force 2	
		<b>L3</b>	Force 3	
		<b>L4</b>	Force 4	
		<b>L5</b>	Force 5	
		<b>L6</b>	Force 6	
		<b>L7</b>	Force 7	
		<b>L8</b>	Force 8 (haute)	
<b>L7</b>	<b>Sensibilité du détecteur à boucles</b>	<b>L1</b>	100% - maximale	Règle la sensibilité de détection d'objets métalliques dans le circuit de détection à boucles Voir la le paragraphe 7.5 - chap. 7 Approfondissements.
		<b>L2</b>	90%	
		<b>L3</b>	80%	
		<b>L4</b>	70%	
		<b>L5</b>	60%	
		<b>L6</b>	50%	
		<b>L7</b>	40%	
		<b>L8</b>	30% - minimale	
<b>L8</b>	<b>Freinage</b>	<b>L1</b>	0 - absent	Règle l'intensité du freinage pendant la phase de ralentissement de la manœuvre.
		<b>L2</b>	1	
		<b>L3</b>	2	
		<b>L4</b>	3	
		<b>L5</b>	5	
		<b>L6</b>	6	
		<b>L7</b>	8	
		<b>L8</b>	9 - maximale	

**AVERTISSEMENTS :**

- Ne pas sélectionner une valeur trop élevée de la « force moteur » car cela pourrait compromettre le fonctionnement du système de sécurité ou endommager la lisse ;
- Si le contrôle de la « force moteur » est utilisé comme soutien du système pour la réduction de la force d'impact, après chaque réglage, il faut répéter la mesure de la force, comme le prévoit la norme EN 12445.
- L'usure et les conditions atmosphériques peuvent influencer le mouvement de la lisse, il faut reconstrôler périodiquement le réglage de la « force moteur ».

**TABLEAU 9 - Procédure de programmation (deuxième niveau)**

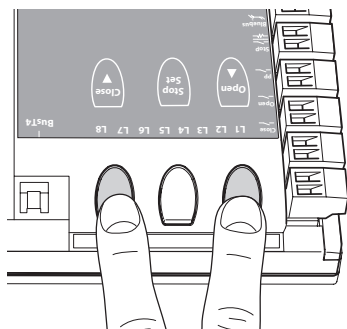
01. Presser et maintenir enfoncée la touche « <b>Set</b> » pendant environ 3 s ;	
02. Relâcher la touche quand la led « <b>L1</b> » commence à clignoter ;	
03. Presser la touche « ▲ » ou « ▼ » pour se déplacer de la led clignotante à la led qui correspond à la fonction à modifier ;	
04. Presser et maintenir enfoncée la touche « <b>Set</b> » jusqu'à la fin du point 06 ;	
05. Attendre environ 3 secondes jusqu'à ce que la led qui correspond au niveau actuel du paramètre à modifier s'allume ;	
06. Presser la touche « ▲ » ou « ▼ » pour déplacer la led qui correspond à la valeur du paramètre ;	
07. Relâcher la touche « <b>Set</b> » ;	
08. Attendre 10 secondes (temps maximum) pour sortir de la programmation.	
<b>Nota</b> – Pour programmer plusieurs paramètres, durant l'exécution de la procédure, il faut répéter les opérations du point 03 au point 07 durant la phase proprement dite.	

## 7 APPROFONDISSEMENTS

### 7.1 - Effacement total de la mémoire de la logique de commande

Dans la logique de commande, il est possible d'effacer toutes les données mémorisées et la reporter à l'état initial avec les valeurs d'usine :

01. Presser et maintenir enfoncées les touches « ▲ » et « ▼ » ;



02. (au bout d'environ 3 secondes) Relâcher les touches quand toutes les leds s'allument ;  
 03. Quand les leds **L1** et **L2** commencent à clignoter, cela signifie que la procédure est terminée.

Remarque - Cette procédure peut également supprimer toutes les erreurs qui restent dans la mémoire.

**Important** – Cette procédure n'efface pas le paramètre correspondant au sens de rotation du moteur ni le nombre de manœuvres effectuées.

### 7.2 - Autres fonctions

#### • Fonction "Ouvre toujours"

Cette fonction est une particularité de la logique de commande ; elle est associée à l'entrée « pas à pas » et permet de commander toujours une manœuvre d'ouverture quand la commande de pas à pas reste active pendant plus de 3 secondes. Cette fonction est valable pour n'importe quelle programmation de l'entrée pas à pas (voir « Fonction PP » dans le **Tableau 8**).

Par exemple, elle peut être utilisée pour connecter une horloge pour program-

mer l'ouverture permanente de la barrière durant une tranche horaire donnée.

#### • Fonction "Manœuvre toujours"

Si un ou plusieurs dispositifs de sécurité ne devaient pas fonctionner correctement ou s'ils étaient hors d'usage, cette fonction permet quand même de commander la barrière en mode « à action maintenue » (pour les détails voir chapitre « guide de l'utilisateur »).

#### • Fonction "Avis de maintenance"

Cette fonction permet d'avertir quand il faut procéder à un contrôle de maintenance de l'automatisme. Le paramètre « Avis de maintenance » peut être ajusté grâce à l'utilisation du programmeur Oview . L'avis de maintenance est signalé à travers le clignotant Flash ou par le voyant de maintenance, suivant le type de programmation. Les signalisations émises par le clignotant Flash et par le voyant de maintenance sont détaillées dans le **Tableau 10**.

#### • Vérification du nombre de manœuvres effectuées

Pour vérifier le nombre d'opérations effectuées, il faut disposer du programmeur Oview; paramètres vérifiables dans la section "Maintenance".

#### • Mise à zéro du compteur des manœuvres

La mise à zéro des manœuvres doit être effectuée à la fin de la phase d'entretien de l'automatisme et doit être effectuée en **désactivant** la fonction "voyant de maintenance" de la sortie LIGHT.

**Note - Débrancher temporairement l'appareil connecté à la sortie 1 LIGHT.**

Procédure d'activation du voyant de maintenance (quand pas encore actif):

01. Presser et maintenir enfoncée la touche « **Set** » pendant environ 3 s ;
02. Relâcher la touche quand la led « **L1** » commence à clignoter ;
03. Presser la touche « ▲ » ou « ▼ » pour se déplacer du led clignotant au led L4 (led d'entrée "Sortie LIGHT") ;
04. Presser et maintenir enfoncée la touche « **Set** » jusqu'à la fin du point 07 ;
05. Attendre environ 3 secondes jusqu'à ce que s'allume la led de la sortie programmée ;
06. Appuyer sur la touche « ▲ » ou « ▼ » pour déplacer la led allumée sur L8 ;
07. Relâcher le bouton "**Set**" et attendre la sortie de la procédure de programmation pour dépassement de la durée.

Procédure de désactivation du voyant de maintenance (quand déjà actif):

01. Presser et maintenir enfoncée la touche « **Set** » pendant environ 3 s ;
02. Relâcher la touche quand la led « **L1** » commence à clignoter ;
03. Presser la touche « ▲ » ou « ▼ » pour se déplacer du led clignotant au led L4 (led d'entrée "Sortie LIGHT") ;
04. Presser et maintenir enfoncée la touche « **Set** » jusqu'à la fin du point 07 ;
05. Attendre environ 3 secondes jusqu'à ce que s'allume la led L8 ;

**TABLEAU 10**

Nombre de manœuvres	Clignotant Flash	Voyant maintenance
Inférieur à 80 % de la limite	Normal (0,5 s allumé, 0,5 s éteint)	Allumé pendant 2 s, au début de la manœuvre d'ouverture
Entre 81 % et 100 % de la limite	Au début de la manœuvre reste allumé pendant 2 s, puis continue normalement	Clignote pendant toute la durée de la manœuvre
Supérieur à 100 % de la limite	Au début et à la fin de la manœuvre, reste allumé pendant 2 s puis continue normalement	Clignote constamment

06. Appuyer sur la touche "▲" ou "▼" pour déplacer la led allumée sur L8 ;
07. Relâcher le bouton "Set" et attendre la sortie de la procédure de programmation pour dépassement de la durée.

Maintenant l'avis d'entretien a été annulé.

Note – Reconfigurer la programmation de la sortie LIGHT pour le dispositif à utiliser et le reconnecter à la sortie.

### 7.3 - Ajouter ou enlever des dispositifs

À tout moment, il est possible d'ajouter de nouveaux dispositifs connectés à l'entrée Bluebus et Stop ou d'en éliminer d'autres déjà présents. Pour ce faire, procéder de la façon suivante :

01. Presser et maintenir appuyés simultanément les touches "▲" et "Set" ;
02. (au bout d'environ 3 secondes) Relâcher les touches quand les leds « L1 » et « L2 » commencent à clignoter très rapidement.
03. Attendre quelques secondes, jusqu'à ce que la logique de commande termine la phase de reconnaissance des dispositifs connectés ;
04. Au terme de cette phase, la led STOP reste allumée tandis que les leds L1 et L2 s'éteignent (éventuellement les leds L3 et L4 commencent à clignoter).

Après avoir exécuté cette procédure, il faut refaire d'essai de l'automatisation comme indiqué dans le chapitre 5.1.

#### 7.3.1 - Entrée BlueBUS

Le système Bluebus permet d'effectuer les connexions des dispositifs compatibles avec seulement deux conducteurs sur lesquels transitent aussi bien l'alimentation électrique que les signaux de communication. Tous les dispositifs sont connectés en mode parallèle sur les deux mêmes conducteurs de Bluebus et sans avoir besoin de respecter aucune polarité. Chaque dispositif est reconnu individuellement car durant l'installation une adresse univoque lui est attribuée. On peut connecter au système Bluebus des photocellules, des dispositifs de sécurité, des dispositifs de commande comme les claviers et les lecteurs de cartes à transpondeur, des voyants de signalisation, etc. La logique de commande, durant la phase de reconnaissance, reconnaît individuellement tous les dispositifs connectés et est aussi en mesure de détecter de manière extrêmement sûre les éventuelles anomalies. En effet, à chaque fois qu'un dispositif connecté au Bluebus est ajouté ou enlevé, il faut effectuer la phase de reconnaissance comme décrit au paragraphe 4.4.

#### 7.3.2 - Photocellules

Le système Bluebus permet à la logique de commande de reconnaître les photocellules en réglant l'adressage des cavaliers (voir **Tableau 11**) et permet d'attribuer la valeur correcte à la fonction de détection des obstacles. L'opération d'adressage doit être faite aussi bien sur TX que sur RX, en plaçant les cavaliers de la même manière et en vérifiant qu'il n'y a pas d'autres paires de photocellules ayant la même adresse.

Les photocellules peuvent être installées comme indiqué **fig. D**. **Important** – Après l'installation ou le retrait de photocellules il faut effectuer la procédure de reconnaissance des dispositifs, comme décrit dans le paragraphe 4.4.

Il est possible de monter une photocellule TX ou RX dans le coffret de la barrière, dans l'emplacement prévu à cet effet (**fig. 53**).

Pour installer la photocellule procéder de la façon suivante :

01. Retirer la carte électronique de la photocellule de son boîtier, en faisant levier avec un tournevis (**fig. 53-a**). **ATTENTION** : - Ne pas endommager les composants électriques internes ;
02. Ouvrir le boîtier prévu pour les photocellules dans la boîte d'accessoires (**fig. 53-b**) ;
03. Encastrer la carte sur le fond du boîtier (**fig. 53-c**) ;
04. Percer le caoutchouc prévu pour le passage du câble électrique (**fig. 53-d**) ;
05. Faire passer le cordon d'alimentation et le brancher sur le bornier de la photocellule (**fig. 53-e**) ;
06. Fermer le fond de la photocellule avec le couvercle, en ayant pris soin de bloquer le caoutchouc dans son siège (**fig. 53-f**) ;
07. Accrocher le boîtier sur l'optique présente dans le coffret en le faisant glisser du haut vers le bas (**fig. 53-g**).

**NOTE** – Sur l'entrée Bluebus on peut brancher 2 photocellules ayant des fonctions de commande "ouvre FA1" et "ouvre FA2" (il faut interrompre le cavalier A sur la partie postérieure des cartes TX et RX). Quand ces photocellules sont sollicitées la centrale commande une manœuvre d'ouverture. Pour d'ultérieures informations consulter le manuel d'instructions des photocellules.

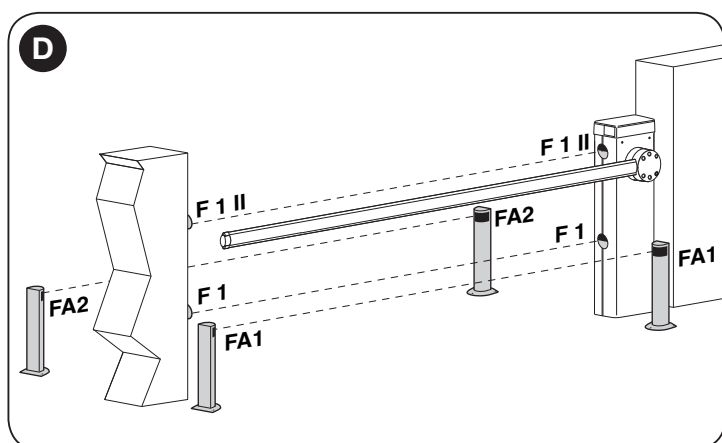


TABLEAU 11 - ADRESSES DES PHOTOCELLES		
Photocellules	Cavaliers	
PHOTO	Photocellule h = 50 intervenant durant la fermeture	
PHOTO II	Photocellule h = 100 intervenant durant la fermeture	
PHOTO 1	Photocellule h = 50 intervenant durant la fermeture	
PHOTO 1 II	Photocellule h = 100 intervenant durant la fermeture	
PHOTO 2	Photocellule intervenant durant l'ouverture (inverse en fermeture)	
PHOTO 2 II	Photocellule intervenant durant l'ouverture (inverse en fermeture)	
PHOTO 3	Photocellule unique avec intervention aussi bien en ouverture qu'en fermeture	
FA1	Photocellule pour commande d'ouverture (couper le cavalier A sur la partie postérieure des cartes TX et RX)	
FA2	Photocellule pour commande d'ouverture (couper le cavalier A sur la partie postérieure des cartes TX et RX)	

#### 7.3.3 - Sélecteur numérique MOTB et lecteur de proximité pour cartes à transpondeur MOMB

Le système Bluebus permet de connecter jusqu'à 4 sélecteurs numériques MOTB ou 4 lecteurs de cartes à transpondeur MOMB.

Avec MOTB il est possible de commander l'automatisation en tapant sur le clavier l'une des combinaisons numériques mémorisées.

Avec MOMB il est possible de commander l'automatisation simplement en approchant du capteur la carte à transpondeur mémorisée.

Ces dispositifs sont munis d'un code univoque qui est reconnu et mémorisé par la logique de commande durant la phase de reconnaissance de tous les dispositifs connectés (voir paragraphe 4.4).

De cette manière, on évite toute tentative frauduleuse de remplacement d'un dispositif et aucun étranger ne pourra commander l'automatisation. Pour plus d'informations, consulter le guide technique de MOTB et MOMB.

#### 7.3.4 - Entrée STOP

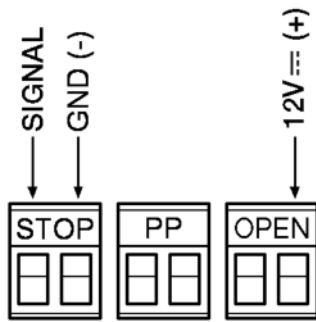
La fonction de l'entrée STOP est de provoquer l'arrêt immédiat de la manœuvre en cours suivi d'une brève inversion. On peut connecter à cette entrée des dispositifs avec sortie à contact normalement ouvert « NO », normalement fermé « NF », OPTO SENSOR ou des dispositifs avec sortie à résistance constante 8,2 kΩ (bords sensibles). La logique de commande, durant la phase de reconnaissance, reconnaît le type de dispositif connecté et provoque un STOP quand une variation quelconque se vérifie par rapport à l'état appris. En adoptant certaines solutions, on peut connecter à l'entrée STOP plusieurs dispositifs, même s'ils sont de différents types :

- On peut connecter plusieurs dispositifs NO en parallèle entre eux, sans limite de nombre ;
- On peut connecter plusieurs dispositifs NF en série entre eux, sans limites de nombre ;
- On peut connecter en parallèle deux dispositifs avec sortie à résistance constante 8,2 kΩ ; s'il y a plus de 2 dispositifs, ils doivent tous être connectés « en cascade » avec une seule résistance terminale de 8,2 kΩ ;
- On peut avoir aussi une combinaison de type NO et NF, en mettant les 2 contacts en parallèle. Dans ce cas, il faut mettre en série avec le contact NF une résistance de 8,2 kΩ ; cela permet d'obtenir aussi la combinaison de 3 dispositifs : NO, NF et 8,2 kΩ.

**Attention** – Si l'entrée STOP est utilisée pour connecter des dispositifs avec des fonctions de sécurité, ces derniers doivent être des dispositifs avec sortie à résistance constante 8,2 kΩ ou des dispositifs optiques OPTO SENSOR, qui garantissent un niveau adéquat de sécurité aux pannes.

Pour la connexion d'un dispositif optique tel OPTO SENSOR effectuer les connexions comme indiqué dans la **fig. E** ; le courant maximum fourni sur la ligne 12 Vcc est de 40 mA.

E



## 7.4 - Diagnostic

Certains dispositifs sont prévus pour émettre des signalisations avec lesquelles il est possible de reconnaître l'état de fonctionnement ou les éventuelles anomalies.

### 7.4.1 - Signalisations de la logique de commande

Les leds des bornes et des touches présentes dans la logique de commande émettent des signalisations particulières tant pour signaler le fonctionnement normal que les éventuelles anomalies. Les **Tableaux 12** et **13** décrivent la cause et la solution pour chaque type de signalisation.

**TABLEAU 12 - Leds des bornes présentes sur la logique de commande**

Led Bluebus	Cause	Solution
Éteinte	Anomalie	Vérifier si l'alimentation est présente ; vérifier si les fusibles sont intervenus ; Si c'est le cas, vérifier la cause de la panne et les remplacer par d'autres de même valeur.
Allumée	Anomalie grave	Il y a une anomalie grave ; essayer d'éteindre la logique de commande pendant quelques secondes ; si l'état persiste, il y a une panne et il faut remplacer la carte électronique.
1 clignotement par seconde	Tout est OK	Fonctionnement normal de la logique de commande
2 clignotements rapides	Il y a eu un changement dans l'état des entrées	C'est normal quand il y a un changement sur l'une des entrées: PP, STOP, OPEN, CLOSE, intervention des photocellules ou quand on utilise l'émetteur radio.
Série de clignotements séparés par une pause	Divers	C'est la même signalisation que celle du clignotant d'1 seconde, (voir Tableau 15).
Led STOP	Cause	Solution
Éteinte	Intervention de l'entrée STOP	Vérifier les dispositifs connectés à l'entrée STOP.
Allumée	Tout est OK	Entrée STOP active.
Led PP	Cause	Solution
Éteinte	Tout est OK	Entrée PP non active
Allumée	Intervention de l'entrée PP	C'est normal si le dispositif connecté à l'entrée PP est effectivement actif.
Led OPEN	Cause	Solution
Éteinte	Tout est OK	Entrée OPEN non active
Allumée	Intervention de l'entrée OPEN	C'est normal si le dispositif connecté à l'entrée OPEN est effectivement actif.
Led CLOSE	Cause	Solution
Éteinte	Tout est OK	Entrée CLOSE non active
Allumée	Intervention de l'entrée CLOSE	C'est normal si le dispositif connecté à l'entrée CLOSE est effectivement actif.
Led fin de course FC1	Cause	Solution
Éteinte	Fin de course déclenché	- Si le paramètre "Direction de rotation moteur standard" est sélectionné, la lisse se trouve dans la position de fermeture complète. - Si le paramètre " Direction de rotation moteur inversée" est sélectionné, la lisse se trouve dans la position d'ouverture totale.
Allumée	Fin de course ne s'est pas déclenché	- Si le paramètre "Direction de rotation moteur standard" est sélectionné, la lisse se trouve dans une position différente de la fermeture complète. - Si le paramètre " Direction de rotation moteur inversée" est sélectionné la lisse se trouve dans une position différente d'ouverture totale.
Led fin de course FC2	Cause	Solution
Éteinte	Fin de course déclenché	- Si le paramètre "Direction de rotation moteur standard" est sélectionné, la lisse se trouve dans la position d'ouverture totale. - Si le paramètre " Direction de rotation moteur inversée" est sélectionné, la lisse se trouve dans la position de fermeture complète.
Allumée	Fin de course ne s'est pas déclenché	- Si le paramètre "Direction de rotation moteur standard" est sélectionné, la lisse se trouve dans une position différente de la fermeture complète. - Si le paramètre " Direction de rotation moteur inversée" est sélectionné, la lisse se trouve dans une position différente d'ouverture totale.
Led encoder	Cause	Solution
Allumée	L'aimant est devant le capteur	C'est normal s'il n'y a pas de manœuvre en cours, sinon il y a un problème sur l'encodeur ou le câble n'est pas bien connecté
Éteinte	L'aimant n'est pas devant le capteur	C'est normal s'il n'y a pas de manœuvre en cours, sinon il y a un problème sur l'encodeur ou le câble n'est pas bien connecté
Clignotant	Manœuvre en cours	Tout est OK si la manœuvre est en cours; le clignotement est proportionnel à la vitesse. <i>Note - Pendant l'exécution de la manœuvre, le clignotement rapide pourrait sembler être une led allumée.</i>

**TABLEAU 13 - Leds des touches présentes sur la logique de commande**

<b>Led 1</b>	<b>Description</b>
Éteinte	Durant le fonctionnement normal elle indique que la fonction « fermeture automatique » n'est pas active.
Allumée	Durant le fonctionnement normal, elle indique « fermeture automatique » est active.
Clignote	<ul style="list-style-type: none"> <li>• Programmation des fonctions en cours.</li> <li>• Si elle clignote en même temps que L2 cela signifie qu'il faut effectuer la reconnaissance des dispositifs (voir paragraphe 4.4).</li> </ul>
Clignotement rapide	Après le démarrage de la logique de commande, elle indique une erreur de mémoire concernant les dispositifs connectés. Simultanément, la led « Bluebus » émet une signalisation de diagnostic : 5 clignotements - pause d'1 seconde - 1 clignotement. Dans ce cas, il faut exécuter la phase d'apprentissage des dispositifs connectés (voir paragraphe 4.4) ou l'effacement de la mémoire (voir paragraphe 7.1).
<b>Led 2</b>	<b>Description</b>
Éteinte	Durant le fonctionnement normal, elle indique que la fonction « Refermeture après passage devant photocellule » n'est pas active.
Allumée	Durant le fonctionnement normal elle indique que la fonction « Refermeture après passage devant la photocellule » est active.
Clignote	<ul style="list-style-type: none"> <li>• Programmation des fonctions en cours.</li> <li>• Si elle clignote en même temps que L1 cela signifie qu'il faut effectuer la reconnaissance des dispositifs (voir paragraphe 4.4).</li> </ul>
Clignotement rapide	Après le démarrage de la logique de commande, elle indique une erreur de mémoire concernant les cotes. Simultanément, la led « Bluebus » émet une signalisation de diagnostic : 5 clignotements - pause d'1 seconde - 1 clignotement. Dans ce cas, il faut exécuter la phase d'apprentissage des positions d'ouverture et de fermeture (voir paragraphe 4.5) ou l'effacement de la mémoire (voir paragraphe 7.1).
<b>Led 3</b>	<b>Description</b>
Éteinte	Durant le fonctionnement normal, elle indique que la fonction « Ferme toujours » n'est pas active.
Allumée	Durant le fonctionnement normal, elle indique que la fonction « Ferme toujours » est active.
Clignote	<ul style="list-style-type: none"> <li>• Programmation des fonctions en cours.</li> <li>• Si elle clignote en même temps que L4 cela signifie qu'il faut effectuer la reconnaissance des positions d'ouverture et de fermeture de la lisse (voir paragraphe 4.5).</li> </ul>
Clignotement rapide	Après le démarrage de la logique de commande, elle indique une erreur de mémoire concernant les paramètres et configurations. Simultanément, la led « Bluebus » émet une signalisation de diagnostic : 5 clignotements - pause d'1 seconde - 1 clignotement. Dans ce cas il faut effacer la mémoire (voir paragraphe 8.1), faire l'apprentissage des dispositifs connectés (voir paragraphe 4.4) et faire l'apprentissage des positions d'ouverture et de fermeture (voir paragraphe 4.5).
<b>Led 4</b>	<b>Description</b>
Éteinte	Durant le fonctionnement normal, elle indique que la fonction « Stand-by » n'est pas active.
Allumée	Durant le fonctionnement normal, elle indique que la fonction « Stand-by » est active.
Clignote	<ul style="list-style-type: none"> <li>• Programmation des fonctions en cours.</li> <li>• Si elle clignote en même temps que L3 cela signifie qu'il faut effectuer la reconnaissance des positions d'ouverture et de fermeture de la lisse (voir paragraphe 4.5).</li> </ul>
Clignotement rapide	Un court-circuit a constaté ou un courant trop élevé dans l'une des trois sorties. Vérifiez les connexions et les périphériques connectés à différentes sorties.
<b>Led 5</b>	<b>Description</b>
Éteinte	Durant le fonctionnement normal, elle indique que la fonction « Ralentissement court » n'est pas active.
Allumée	Durant le fonctionnement normal, elle indique que la fonction « Ralentissement long » est active.
Clignote	Programmation des fonctions en cours.
Clignotement rapide	Il y a une erreur dans le décompte, car les encodeurs ne sont pas lus, un ou plusieurs aimants ou le câble n'est pas connecté ou il s'agit de la troisième manœuvre consécutive au cours de laquelle entre en action la fonction de "détection d'obstacles". Vérifier que tous les aimants sont lus et que le câble est connecté et en bon état.
<b>Led 6</b>	<b>Description</b>
Éteinte	Durant le fonctionnement normal, elle indique que la fonction « Préclignotement » n'est pas active.
Allumée	Durante il funzionamento normale indica "Prelampeggio" attivo.
Clignote	Programmation des fonctions en cours.
Clignotement rapide	<ul style="list-style-type: none"> <li>- Les fins de course sont inversés. Inverser le câblage des interrupteurs ou vérifier que le paramètre de "Sens de rotation du moteur" a été configuré.</li> <li>- Suite à l'envoi d'une commande de mouvement, le fin de course n'a pas été libéré dans l'intervalle de temps défini : vérifier s'il existe un empêchement au mouvement ; activer éventuellement la fonction "démarrage".</li> </ul>
<b>Led 7</b>	<b>Description</b>
Éteinte	Durant le fonctionnement normal, elle indique que la fonction « Sensibilité ampèrométrique » n'est pas active.
Allumée	Durant le fonctionnement normal, elle indique que la fonction « Sensibilité ampèrométrique » est active.
Clignote	Programmation des fonctions en cours.
Clignotement rapide	Erreur de la communication maître / esclave. Vérifier si le câble est branché, ou le contrôle de la polarité de la connexion maître / esclave ou vérifier que la phase d'acquisition Maître / Esclave des deux stations (voir paragraphe 7.6 - "Maître / Esclave") a été faite.
<b>Led 8</b>	<b>Description</b>
Éteinte	Durant le fonctionnement normal, elle indique que la fermeture de la lisse est programmée à gauche.
Allumée	Durant le fonctionnement normal, elle indique que la fermeture de la lisse est programmée à droite.
Clignote	Programmation des fonctions en cours.
Clignotement rapide	Erreur de version de la barrière Le type de barrière ne correspond pas à la version mémorisée dans la logique. Vérifier que le câblage de la version est en bon état et correctement connecté. Si l'erreur persiste, exécuter l'effacement de la mémoire et une nouvelle installation.

## 7.4.2 - Signalisations du clignotant

Si un clignotant (ou si un clignoteur à led, accessoire optionnel) est connecté à la sortie FLASH présente sur la logique, durant l'exécution d'une manœuvre, ce dernier émet un clignotement toutes les secondes. Si des anomalies se vérifient, le clignotant émet des clignotements plus brefs ; ces clignotements sont

répétés deux fois séparés par une pause d'une seconde. Les mêmes signalisations sont émises également par le clignoteur à led (accessoire optionnel) et la led « Bluebus ». Le **Tableau 14** décrit la cause et la solution pour chaque type de signalisation.

TABLEAU 14

Signalisation	Cause	Solution
1 clignotement pause de 1 seconde 1 clignotement	Erreur sur le système Bluebus	La vérification des dispositifs connectés au système Bluebus, qui est effectuée au début de la manœuvre ne correspond pas aux dispositifs mémorisés durant la phase de reconnaissance. Certains dispositifs pourraient être en panne, il faut vérifier et remplacer. Si des modifications ont été faites, il faut refaire la procédure de reconnaissance des dispositifs (voir paragraphe 4.5).
2 clignotements pause de 1 seconde 2 clignotements	Intervention d'une photocellule	Au début de la manœuvre une ou plusieurs photocellules nient l'autorisation à la manœuvre, vérifier si elles sont occultées par un obstacle.
3 clignotements pause de 1 seconde 3 clignotements	Intervention du limiteur de la « Force moteur »	Durant le mouvement, la lisse a subi un frottement plus important ; en vérifier la cause.
4 clignotements pause de 1 seconde 4 clignotements	Intervention de l'entrée STOP	Au début de la manœuvre ou durant le mouvement, il y a eu une intervention de l'entrée de STOP ; en vérifier la cause.
5 clignotements pause de 1 seconde 5 clignotements	Erreur dans les paramètres internes de la logique de commande	Déclencher et réenclencher l'alimentation Si l'erreur persiste effectuer l'"effacement complet de la mémoire" comme indiqué au chapitre 7.1 et refaire l'installation; si l'état reste, il pourrait y avoir une panne grave et il faudrait remplacer la carte électronique.
6 clignotements pause de 1 seconde 6 clignotements	Non utilisé	—
7 clignotements pause de 1 seconde 7 clignotements	Erreur dans les circuits électriques internes	Déconnecter tous les circuits d'alimentation pendant quelques secondes puis tenter de renvoyer une commande ; si l'état persiste, il pourrait y avoir une panne grave sur la carte électronique ou sur les connexions du moteur. Effectuer les contrôles et procéder aux éventuels remplacements.
8 clignotements pause de 1 seconde 8 clignotements	Non utilisé	—
9 clignotements pause de 1 seconde 9 clignotements	Blocage de l'automatisme	Envoyer la commande « Débrayage automatisé » ou commander la manœuvre avec « Pas à pas Haute priorité ».

## 7.5 - Détecteur à boucles

L'unité de contrôle dispose de deux circuits pour la détection de masses métalliques (motos, voitures, camions, etc ...), chaque circuit peut être complété par l'utilisation d'une bobine d'induction, composé d'un câble unipolaire, à placer sous terre à une profondeur de quelques centimètres.

### 7.5.1 - Fonctionnement

Lorsque l'unité de commande, détecte un changement de fréquence suite au passage d'un métal au-dessus de la boucle, elle déclenche une manœuvre ou une sortie (sortie 1, 2, 3) pour activer le clignoteur, le voyant de barrière ouverte ou les lumières de la lisse. Le réglage d'usine de fait que cela entraîne une manœuvre d'ouverture de la lisse; tant que la boucle est sollicitée, il n'est pas possible de procéder à la fermeture.

Lorsque la logique est alimentée elle effectue un étalonnage, c'est à dire une mesure de la fréquence de fonctionnement de chaque boucle; si elles ne sont pas connectées à la boucle logique, le circuit s'éteint automatiquement après 30 secondes.

La «sensibilité de détection des masses métalliques» est réglable sur 8 niveaux (voir le tableau 7 du chapitre 6). Réglé en usine à 90%.

Par le biais du programmeur Oview, d'autres paramètres et modes de fonctionnement associé au détecteur à boucle peuvent être modifiés

Les programmations possibles sont les suivantes, voir également le **tableau 15** pour les valeurs:

- **Sensibilité de la boucle:** définit la variation de fréquence minimum due à la masse métallique, nécessaire pour activer la manœuvre. Paramètres de référence:
  - Définir un «sensibilité haute» pour la détection de petites masses métalliques
  - Définir un «sensibilité basse» pour la détection de masses métalliques de grandes dimensions
- **Alimentation de la boucle: Active** ou désactive les circuits du détecteur à boucles
- **Active la boucle 1, 2:** l'action de la boucle, déclenche le mouvement de la barrière selon les modalités de fonctionnement adoptées Si la fonction est désactivée, l'état de la bobine est disponible en ayant programmé de manière opportune une des sorties (sortie 1, 2, 3) de la logique par le biais du programmeur Oview.

- **Temps de permanence de la boucle: le temps** pendant lequel la boucle est occupée. Passé ce délai, un recalibrage est automatiquement activée pour signaler que la boucle est libre.

- **Mode de fonctionnement de la boucle:** si la fonction «Active boucle» est habilitée et le signal de commande de boucle est sur «ACTIF» le comportement de la barrière varie selon le mode de fonctionnement de la boucle sélectionné:

- ouverture seule (ouvre copropriété)
- fermeture seule
- arrêt
- photo ferme (Photo avec inversion totale). **ATTENTION ! – La spire configurée comme « photo fermeture » n'est pas un dispositif de sécurité, l'intervention en toute condition n'est donc pas assurée. Notamment, à chaque démarrage, la logique de commande effectue un calibrage étant donné l'absence de masses métalliques sur les spires.**

- **Calibrage:** initie une procédure d'étalonnage, à savoir la reconnaissance de la bobine connectée. Note: la calibration active automatiquement le paramètre "Alimentation boucle".
- **Modes d'activation:** voir le **tableau 16** (relais = signal de commande de la boucle).
- **Durée d'activation de la boucle: c'est temps "t"** liée aux modes de fonctionnement décrits dans le **Tableau 16**.
- **Visualisation fréquence de la boucle:** Indique la fréquence d'oscillation de la boucle en Hz.

- **Modes d'activation de la boucle: c'est temps "t"** liée aux modes de fonctionnement décrits dans le **Tableau 16**.

- **Durée d'activation de la boucle: c'est temps "t"** liée aux modes de fonctionnement décrits dans le **Tableau 16**.

- **Visualisation fréquence de la boucle:** Indique la fréquence d'oscillation de la boucle en Hz.

- **Modes d'activation de la boucle: c'est temps "t"** liée aux modes de fonctionnement décrits dans le **Tableau 16**.

- **Durée d'activation de la boucle: c'est temps "t"** liée aux modes de fonctionnement décrits dans le **Tableau 16**.

- **Visualisation fréquence de la boucle:** Indique la fréquence d'oscillation de la boucle en Hz.

- **Modes d'activation de la boucle: c'est temps "t"** liée aux modes de fonctionnement décrits dans le **Tableau 16**.

- **Durée d'activation de la boucle: c'est temps "t"** liée aux modes de fonctionnement décrits dans le **Tableau 16**.

- **Visualisation fréquence de la boucle:** Indique la fréquence d'oscillation de la boucle en Hz.

- **Modes d'activation de la boucle: c'est temps "t"** liée aux modes de fonctionnement décrits dans le **Tableau 16**.

- **Durée d'activation de la boucle: c'est temps "t"** liée aux modes de fonctionnement décrits dans le **Tableau 16**.

rappeler que la boucle doit être placée à une distance de 20 cm d'objets métalliques fixes et de 1 m d'objets métalliques en mouvement (fig. F). Note - Pour un fonctionnement optimal, il est conseillé d'utiliser une boucle de dimensions inférieures ou égales à l'objet à détecter.

- Habituellement la boucle utilisée pour le passage des voitures et des camions est de forme rectangulaire, à placer avec un angle de 45 degrés par rapport à la piste prévue pour le passage des bicyclettes et des motocyclettes (fig. G).
- Note - Il est conseillé de couper les coins à 45 degrés sur la trace au sol pour éviter de casser le câble.

• **IMPORTANT - POUR ÉVITER LES INTERFÉRENCES, LES CÂBLES DE CONNEXION DE LA boucle DOIVENT ÊTRE TORSADÉS A RAISON DE 20 FOIS PAR MÈTRE ET NE DOIVENT PAS AVOIR DE RACCORDS.** S'il était nécessaire de prolonger le câble, souder les conducteurs et recouvrir avec de la gaine thermo-rétractable **La longueur du câble torsadé doit être inférieure à 20 mètres.**

- Après avoir déterminé la taille de la boucle, faire une gorge dans la chaussée de 8 mm de largeur et de 30-50 mm de profondeur (fig. H);
- Nettoyez la gorge et y placer la boucle en essayant de la compacter de manière à éviter qu'elle puisse bouger;

03. Effectuer le nombre de tour de boucles en fonction du périmètre comme le indiqué dans le **tableau 17**: utiliser un câble unipolaire de cuivre isolé de 1,5 mm<sup>2</sup> (fig. H);

04. Avant de refermer la gorge, s'assurer que la valeur d'induction de la boucle soit comprise entre 100 et 400 uH ou, par le biais du programmeur Oview, vérifier que la valeur de la fréquence mesurée (paramètre "fréquence de la boucle") se situe entre 30 et 90 kHz;

05. Couvrir la boucle avec du sable pour la protéger et puis sceller la gorge avec du bitume ou de résine pour l'extérieur (fig. H). **Attention** : - La température du produit de scellement ne doit pas dépasser la température maximale admissible de l'isolation du câble, car sinon une perte de l'isolement vers la terre pourrait se produire.

06. Les câbles électriques doivent être connectés aux bornes **Loop1** (fig. I) et **Loop2** (fig. L). La borne Loop2 peut être connectée de 2 manières (fig. L); en fonction du type connexion utilisé, la fréquence de travail de la boucle varie.

**Attention** : - Si la boucle Loop1 est placée à proximité de la boucle Loop2 et les deux travaillent à la même fréquence (ou presque), des interférences pourraient être générées ; dans ce cas, il faut procéder au changement du branchement au bornier Loop2.

TABLEAU 15

Fonction	Valeurs	Default
Sensibilité boucle 1	10 – 100%	90%
Sensibilité boucle 2	10 – 100%	90%
Alimentation de la boucle on-off	on	
Active boucle 1	on-off	on
Active boucle 2	on-off	on
Mode de fonctionnement boucle 1	sélectionnable	ouvre
Mode de fonctionnement boucle 2	sélectionnable	ouvre
Temps de permanence boucle 1	2 – 20 = toujours	20 = toujours
Fonction de sortie 1, 2, 3: Active sortie (1,2,3) pour boucle 1	sélectionnable	off
Fonction de sortie 1, 2, 3: Active sortie (1,2,3) pour boucle 2	sélectionnable	off
Étalonnage [également exécuté au démarrage]	on – off	
Mode d'activation * boucle 1: Temps boucle 1	1 – 5 0 – 25 s	1 2s
Mode d'activation* boucle 2: Temps boucle 2	1 – 5 0 – 25 s	1 2s
Afficher fréquence boucle 1	0 – 100000	-
Afficher fréquence boucle 2	0 – 100000	-

TABLEAU 16

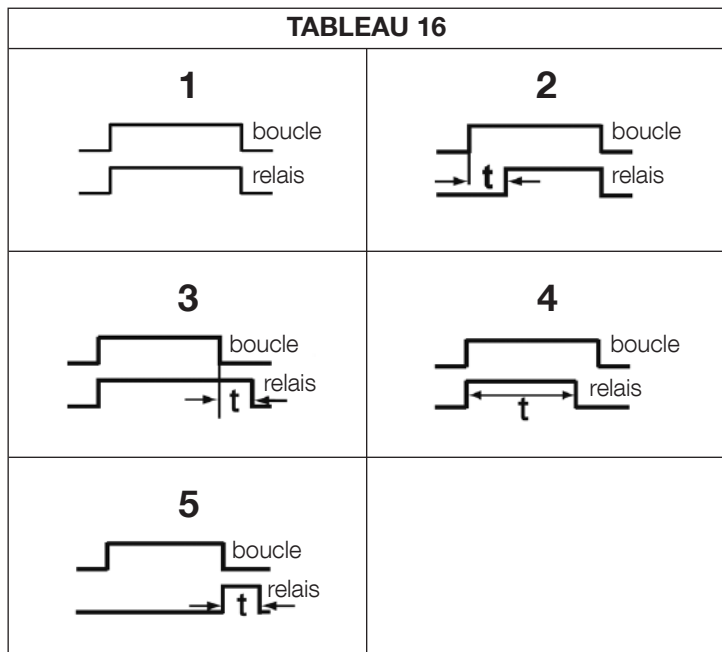
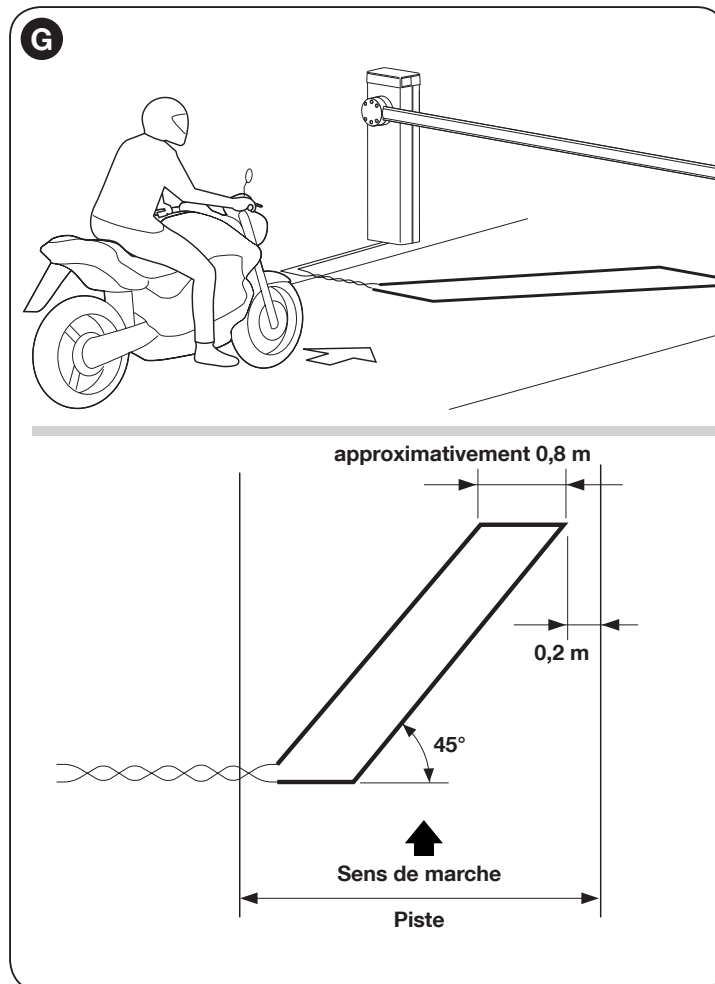
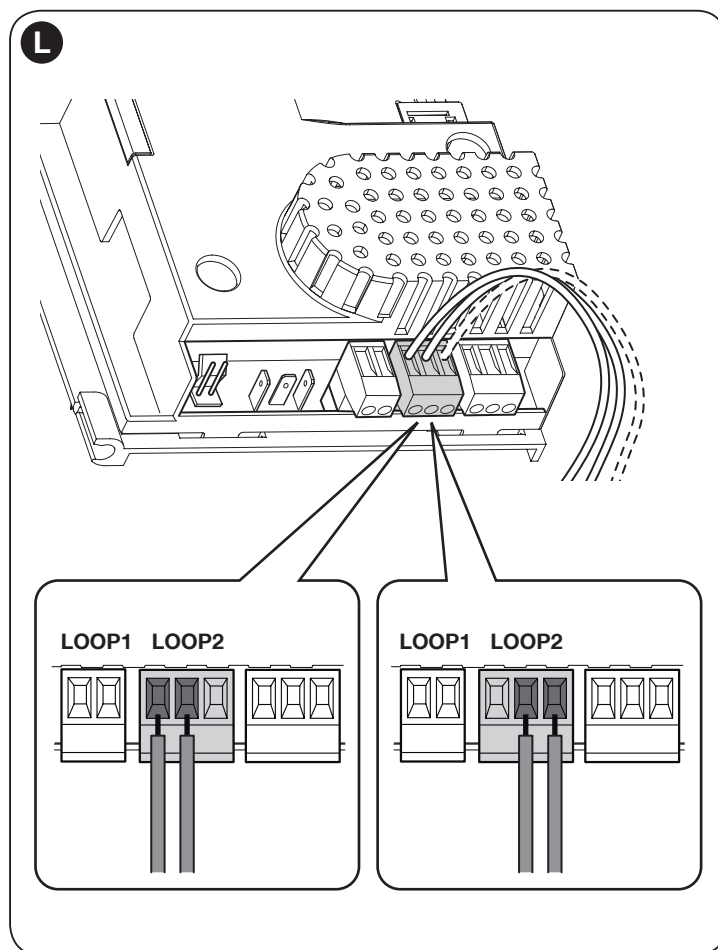
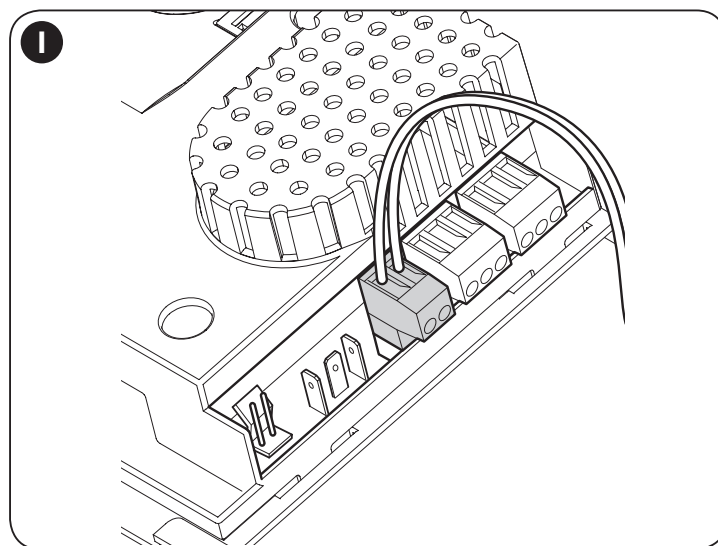
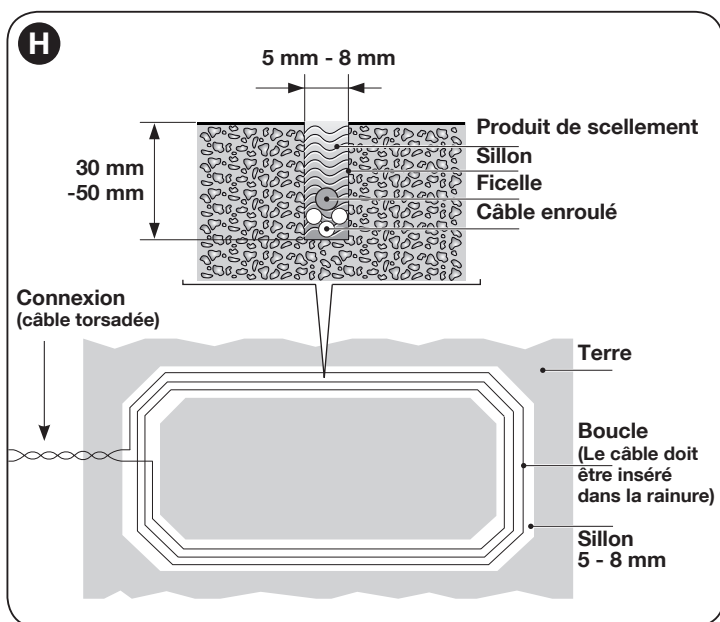
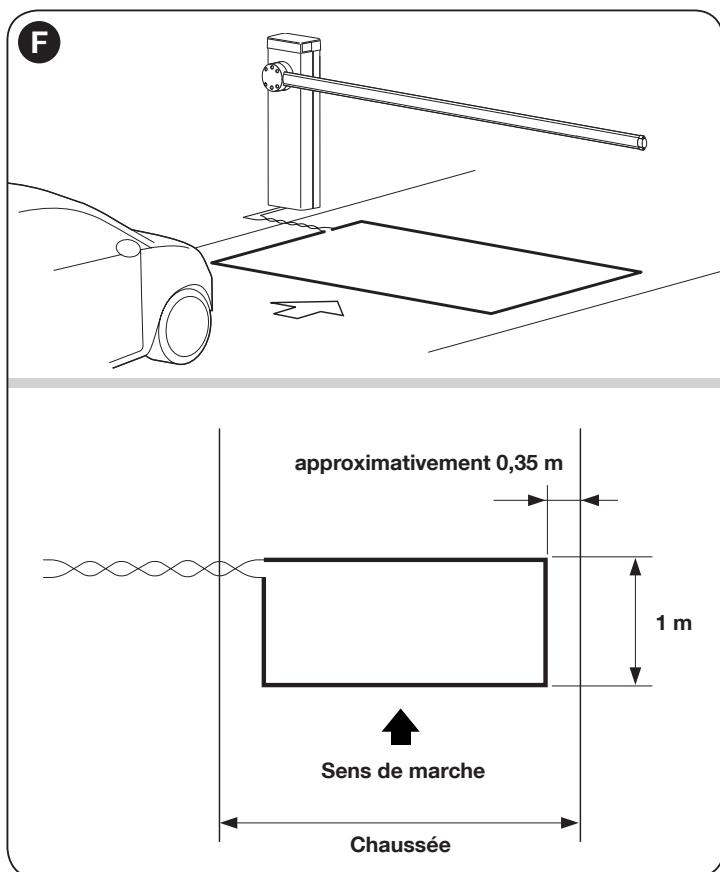


TABLEAU 17

Périmètre de la boucle	Nombre de tours
2 – 4 m	6
4 – 7 m	5
7 – 12 m	4
supérieure à 12 m	3

**Note** - Si une armature métallique se trouve sous la chaussée à l'endroit où se trouve la boucle, son inductance en sera réduite. Dans ce cas, il faudra ajouter deux tours à la boucle





## 7.6 - Modalité Maître - Esclave

Cette modalité de fonctionnement est utilisée s'il faut automatiser le fonctionnement de 2 barrières en opposition qui opèrent de manière synchronisée. Dans ce mode, une barrière fonctionne comme Maître et commande les manœuvres tandis que la seconde fonctionne comme un Esclave et exécute les commandes envoyées par la barrière Maître; en sortie d'usine de toutes les barrières sont configurées maître.

Pour configurer une barrière en fonctionnement esclave il faut activer la fonction de premier niveau "mode esclave" (voir tableau 7).

La connexion entre maître et esclave a lieu par le biais du Bus T4 par le connecteur dédié maître-esclave.

**Attention :** - Dans le cas où serait utilisé le programmeur utilisé Oview il faut modifier le paramètre "Ensemble" ou "Adresse" de l'une des deux barrières. Ceci afin d'éviter la communication simultanée des deux logiques avec le programmeur Oview.

### 7.6.1 - Installation et câblage électriques

#### Recommandations

- Tous les appareils, y compris le récepteur radio doit être relié à sur la barrière Maître;
- Si la batterie tampon est utilisée, chaque barrière doit avoir la sienne;
- Dans la barrière **Esclave** les connexions suivantes peuvent être effectuées:
  - un propre clignoteur

- un voyant lisse ouverte (SCA) propre
- lumières de la lisse
- un bord sensible propre
- un dispositif de commande (PP) propre, qui commande l'ouverture totale de la seule barrière esclave
- les entrées Open et Close ne sont pas utilisés
- les entrées Loop1 et Loop2 programmées en modalité "Ouvrir"
- le récepteur radio

Pour installer 2 barrières et les programmer en modalité "Maître - Esclave", procéder comme suit:

#### 01. Faire l'installation des 2 barrières (fig. M).

Il n'est pas important de déterminer à priori laquelle des deux travaille comme Maître ou Esclave; il faut tenir compte de la commodité pour la réalisation des branchements électriques et du fait que la commande pas à pas qu'effectuera la barrière esclave exécutera seulement l'ouverture totale de la lisse esclave;

02. Relier ensemble les deux logiques au moyen du connecteur Maître / Esclave (fig. 54), en respectant les polarités;
03. À ce stade, faire les autres connexions électriques (fig. 54), en se référant aux instructions du chapitre 4 - Connexions électriques;
04. Après avoir terminé toutes les connexions électriques, ce qui donne la puissance à chaque logique et dirigée par l'un, la procédure décrite dans



la section 4.2 - Première mise sous tension et vérification des connexions.  
**Attention : - pour pouvoir utiliser le programmer Oview, il faut modifier le paramètre "Ensemble" ou "Adresse" sur l'une des deux logiques; ceci pour éviter que les deux logiques communiquent simultanément avec le Oview.**

**05. Sur la barrière esclave, procéder aux programmations suivantes:**  
**a)** Reconnaissance des dispositifs connectés (voir paragraphe 4.4)  
**b)** Apprentissage des positions d'ouverture et de fermeture (voir paragraphe 4.5)  
**c)** Faire d'éventuels ajustements

**d)** Activer le paramètre "Mode esclave" comme indiqué dans le paragraphe 6.1 - Programmation premier niveau (ON-OFF).

À ce stade, le **led L7** clignote pour indiquer une «erreur de communication maître-esclave». Ceci est dû au fait que l'accouplement de la barrière maître avec la barrière esclave n'a pas encore été fait.

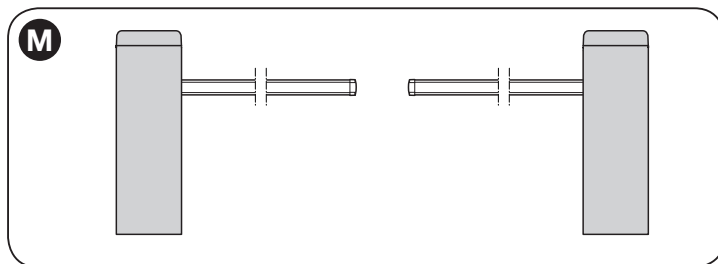
**Important !** - Dans la barrière opposée, avant de procéder à l'apprentissage des positions d'ouverture et de fermeture, **il faut définir le "sens de rotation du moteur"** (paramètre L8 - Tableau 7, paragraphe 6.1);

**Important** - Se rappeler que durant le fonctionnement toutes les programmations effectuées sur la barrière esclave ne sont pas prises en compte parce que ce sont celles faites sur la barrière maître 'il vous plaît noter que pendant l'opération, réalisée tous les esclaves de qui sont prioritaires sauf celles indiquées dans le **tableau 18** qui affectent uniquement la barrière esclave.

**06. Sur la barrière esclave, procéder aux programmations suivantes:**

- a)** Reconnaissance des dispositifs connectés (voir paragraphe 4.4)
- b)** Apprentissage des positions d'ouverture et de fermeture (voir paragraphe 4.5)
- c)** faire d'éventuels ajustements;

**07. Enfin, à partir de la logique Maître** envoyer une commande pour effectuer une manœuvre et vérifier que celle-ci soit également effectuée sur la barrière esclave.



**TABLEAU 18**

Fonctions du premier (fonctions ON - OFF)	Fonctions de niveau supérieur (paramètres réglables)
Veille	Vitesse moteur
Démarrage	Sortie Flash
Mode esclave	Sortie led
Ralentissement long/court	Puissance moteur
Sens de rotation moteur	Freinage

**Note** – Si vous voulez utiliser la fonction "veille complète" dans la barrière en configuration maître-esclave, il faut effectuer le branchement électrique en utilisant le connecteur BusT4 **et non pas le connecteur maître-esclave.**

## 8 QUE FAIRE SI... (guide pour la résolution des problèmes)

Ci-après sont énumérés les éventuels problèmes de fonctionnement qui peuvent se présenter durant la phase d'installation ou en cas de panne et les remèdes possibles :

• **L'émetteur radio ne commande pas la barrière et la led sur l'émetteur ne s'allume pas:** Vérifiez si les piles de l'émetteur sont faibles et les remplacer si nécessaire.

• **L'émetteur radio ne commande pas les barrières, mais la led de l'émetteur s'allume:** vérifier si l'émetteur est correctement mémorisé dans le récepteur radio. Vérifier en outre sur l'émetteur la correcte émission du signal radio en procédant au test empirique suivant: appuyer sur une touche quelconque de l'émetteur et placer sa led contre l'antenne d'un récepteur radio commun (pour écouter les stations de radio FM) et l'accorder sur la fréquence à 108,5 Mhz ou la fréquence la plus proche de cette valeur; on devrait pouvoir ainsi entendre un léger bruit avec grésillement à pulsations.

• **L'envoi d'une commande ne se traduit par aucune manœuvre et la led OK ne clignote pas:** vérifier que la barrière est alimentée par le secteur 230 V. Vérifier en outre que les fusibles F1 et F2 n'aient pas fondu et le cas échéant, après avoir recherché la cause du problème, les remplacer d'autres ayant les mêmes caractéristiques; voir **fig. 55**.

• **L'envoi d'une commande ne se traduit par aucune manœuvre et le clignoteur est éteint:** vérifier que la commande a bien été reçue; si la commande arrive sur l'entrée PP, la led OK fait un deux éclats pour signaler que la commande a été reçue.

• **La manœuvre débute et le clignoteur émet quelques éclats:** compter le

nombre d'éclats et vérifier la signification des éclats dans le **tableau 19**.

• **La manœuvre s'effectue mais peu de temps après la lisse se bloque ou fait une brève inversion:** la force choisie pourrait être trop faible pour déplacer la barre. Vérifier l'équilibrage correct de la lisse ; éventuellement sélectionner une valeur plus élevée pour la force. **La valeur de sensibilité pourrait être trop élevée:** Diminuer la valeur de la sensibilité. Si l'intervention s'effectue durant la phase de ralentissement, il faut diminuer l'intensité de freinage.

• **L'opération se déroule à vitesse lente:** la manœuvre ne démarre pas à partir d'une position de fin de course ou la logique ne reconnaît pas le fin de course Vérifier le branchement du fin de course

• **La barrière esclave n'effectue pas les manœuvres:** Vérifier que la phase d'apprentissage "maître-esclave" a bien eu lieu sur les deux barrières

• **L'opération est effectuée en sens contraire:** Vérifier que le paramètre "Sens de rotation du moteur" (paramètre L8 - Tableau 7, paragraphe 6.1) est correctement configuré, ou inverser les câbles de moteur.

## MISE AU REBUT DU PRODUIT

**Ce produit est partie intégrante de l'automatisme et doit donc être mis au rebut avec ce dernier.**

Comme pour l'installation, à la fin de la durée de vie de ce produit, les opérations de démantèlement doivent être effectuées par du personnel qualifié.

Ce produit est constitué de différents types de matériaux : certains peuvent être recyclés, d'autres doivent être mis au rebut. Informez-vous sur les systèmes de recyclage ou de mise au rebut prévus par les règlements, en vigueur dans votre pays, pour cette catégorie de produit.

**Attention !** – certains composants du produit peuvent contenir des substances polluantes ou dangereuses qui pourraient avoir des effets nuisibles sur l'environnement et sur la santé des personnes s'ils étaient jetés dans la nature.

Comme l'indique le symbole ci-contre, il est interdit de jeter ce produit avec les ordures ménagères. Par conséquent, utiliser la méthode de la « collecte sélective » pour la mise au rebut des composants conformément aux prescriptions des normes en vigueur dans le pays d'utilisation ou restituer le produit au vendeur lors de l'achat d'un nouveau produit équivalent.



**Attention !** – les règlements locaux en vigueur peuvent appliquer de lourdes sanctions en cas d'élimination illicite de ce produit.

**TABLEAU 19**

### Diagnostic par les leds de programmation

<b>L1 éclat rapide:</b> erreur mémoire des dispositifs
<b>L2 éclat rapide:</b> erreur mémoire des positions
<b>L3 éclat rapide:</b> erreur mémoire des paramètres
<b>L4 éclat rapide:</b> court-circuit du clignotant ou de la lampe de courtoisie
<b>L5 éclat rapide:</b> erreur domptage encodeur
<b>L6 éclat rapide:</b> erreur fin de course inversés ou fin de course non libéré dans l'intervalle de temps programmé
<b>L7 éclat rapide:</b> erreur communication maître-esclave
<b>L8 éclat rapide:</b> erreur version

## CARACTÉRISTIQUES TECHNIQUES DU PRODUIT

**AVERTISSEMENTS :** • Toutes les caractéristiques techniques indiquées se réfèrent à une température ambiante de 20 °C (± 5 °C). • Nice S.p.A. se réserve le droit d'apporter des modifications au produit à tout moment si elle le jugera nécessaire, en garantissant dans tous les cas les mêmes fonctions et le même type d'utilisation prévu.

Modèle	M3BAR	M5BAR	M7BAR	L9BAR
<b>Typologie</b>	Barrière de route pour utilisation résidentielle équipée de la centrale électronique de commande			
<b>Passage utile (m)</b>	2,32 ÷ 2,82	3,17 ÷ 4,82	5 ÷ 7	7 ÷ 9
<b>Couple maximum au démarrage (Nm)</b>	100	200	300	400
<b>Couple nominal (Nm)</b>	30	70	90	130
<b>Temps de fonctionnement (réglable sec)</b>	1.5 – 3	3 – 6	6 – 10	8 – 12
<b>Fréquence maximale des cycles de fonctionnement au couple nominal</b> (la centrale limite les cycles successifs au maximum prévu dans le tableau T3)	600 utilisation en continu	350 utilisation en continu	200	150
<b>Durabilité</b>	Voir Chapitre 3 - paragraphe 3.2.1			
<b>Tension d'alimentation</b>	230V 50/60Hz	230V 50/60Hz	230V 50/60Hz	230V 50/60Hz
<b>Tension d'alimentation /V1</b>	120V 50/60Hz	120V 50/60Hz	120V 50/60Hz	120V 50/60Hz
<b>Puissance maximale absorbée au démarrage (W)</b>	150	110	110	160
<b>Puissance maximum au couple nominal</b>	40	50	40	50
<b>Classe d'isolement</b>	1	1	1	1
<b>Alimentation de secours</b>	Oui (avec accessoire PS224)			
<b>Alimentation photovoltaïque</b>	Oui (avec accessoire SYKCE)			
<b>Sortie FLASH</b>	pour un dispositif de signalisation clignotant LUCYB, MLB ou MLBT (12V - 21W)			
<b>Sortie LIGHT</b>	pour accessoire optionnel "lumières de la barre" XBA4			
<b>Sortie SCA</b>	pour lampe de signalisation 24V (max 10W)			
<b>Sortie pour clignoteur / sémaphore sur capot</b>	avec accessoires optionnels clignotant à leds XBA7 ou sémaphore à leds XBA8			
<b>Sortie BlueBUS</b>	1 sortie avec charge maximum de 12 unités Bluebus			
<b>Entrée "STOP"</b>	Pour contacts normalement fermés, normalement ouverts ou à résistance constante de 8,2 kΩ ou de type optique OSE; en auto-apprentissage (une variation par rapport à l'état mémorisé provoque la commande « STOP »).			
<b>Entrée "PAS à PAS"</b>	Pour contacts normalement ouverts			
<b>Entrée "OUVRE"</b>	Pour contacts normalement ouverts			
<b>Entrée "FERME"</b>	Pour contacts normalement ouverts			
<b>Connecteur radio</b>	Connecteur SM pour les récepteurs SMXI; SMXIS; OXI ou OXIT			
<b>Entrée ANTENNE radio</b>	50 Ω pour câble type RG58 ou similaires			
<b>Entrées de la spire de détection</b>	N°2 par spire de 2 à 16 m de circonférence			
<b>Inductance nominale de la spire</b>	de 100 à 400 μH			
<b>Fonctions programmables</b>	8 fonctions ON-OFF et 8 fonctions réglables (voir tableau 6 et 8) et programmation ultérieure par le biais de l'unité de Programmation et de Commande Oview			
<b>Fonctions en reconnaissance</b>	Auto-apprentissage des dispositifs connectés à la sortie Bluebus Auto-apprentissage du type automatique de dispositif de "STOP" (contact NO, NF ou résistance de 8,2 kΩ). Reconnaissance automatique des positions d'ouverture et de fermeture de la barre et calcul des points de ralentissement et d'ouverture partielle. Auto-apprentissage de la "Version"			
<b>Température de fonctionnement</b>	-20°C ... +55°C	-20°C ... +55°C	-20°C ... +55°C	-20°C ... +55°C
<b>Indice de protection</b>	IP54	IP54	IP54	IP54
<b>Dimensions (mm)</b>	400 x 299 x 1215 h	400 x 299 x 1215 h	400 x 299 x 1215 h	500 x 299 x 1215 h
<b>Poids</b>	80 kg	80 kg	85 kg	98 kg

# ANNEXE I

Déclaration de conformité à utiliser au cas où l'installation du produit ne respecterait pas les critères énoncés au chapitre 1.3.1.

## Déclaration CE de conformité et déclaration d'incorporation de « quasi-machines »

Déclaration conforme aux Directives :  
1999/5/CE (R&TTE); 2014/30/UE (EMC); 2006/42/CE (MD) annexe II, partie B

Note - Le contenu de cette déclaration correspond à ce qui a été déclaré dans le document officiel déposé au siège social de Nice S.p.A. et, en particulier, à la dernière mise à jour disponible avant l'impression de ce manuel. Le présent texte a été réadapté pour raisons d'édition. Une copie de la déclaration originale peut être demandée à Nice S.p.A. (TV) - Italy

Numéro de déclaration : **405/M-LBAR**

Révision : **12**

Langue : **FR**

**Nom du fabricant** : NICE S.p.A.

**Adresse** : Via Pezza Alta N°13, 31046 Rustignè di Oderzo (TV) Italy

**Type de produit** : Barrière levante électromécanique

**Modèle / Type** : M3BAR, M5BAR, M7BAR, L9BAR, M3BARI, M5BARI, M7BARI, L9BARI

**Accessoires** : XBA14, XBA15, XBA4, XBA6, XBA18, XBA9, XBA7, XBA8, PS224, OVIEW Unit

Je soussigné, Roberto Griffa, en qualité Chief Executive Officer, déclare sous son entière responsabilité que le produit susmentionné est conforme aux dispositions prescrites par les directives suivantes :

- Directive 1999/5/CE DU PARLEMENT EUROPÉEN ET DU CONSEIL du 9 mars 1999 concernant les équipements hertziens et les équipements terminaux de télécommunications et la reconnaissance mutuelle de leur conformité, selon les normes harmonisées suivantes :
  - Protection de la santé (art. 3(1)(a)) : EN 62479:2010
  - Sécurité électrique (art. 3(1)(a)) : EN 60950-1:2006+A11:2009+A12:2011+A1:2010+A2:2013
  - Compatibilité électromagnétique (art. 3(1)(b)) : EN 301 489-1 V1.9.2:2011, EN 301 489-3 V1.6.1:2013
  - Spectre radio (art. 3(2)) : EN 300 330-2 V1.6.1:2015

Conformément à la Directive 1999/5/CE (Annexe III), le produit appartient à la classe 1

- DIRECTIVE 2014/30/UE du PARLEMENT EUROPÉEN ET DU CONSEIL du 26 février 2014 relative au rapprochement des législations des États membres concernant la compatibilité électromagnétique (refonte), selon les normes harmonisées suivantes : EN 61000-6-2:2005, EN 61000-6-3:2007+A1:2011
- DIRECTIVE 2014/35/UE DU PARLEMENT EUROPÉEN ET DU CONSEIL du mercredi 26 février 2014 concernant le rapprochement des législations des États membres relatives au matériel électrique destiné à être employé dans certaines limites de tension (refonte), selon les normes harmonisées suivantes :  
EN 60335-1:2002 + A1:2004 + A11:2004 + A12:2006 + A2:2006 + A13:2008 + A14:2010 + A15:2011  
EN 60335-2-103:2003+A11:2009, EN 62233:2008

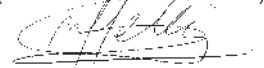
En outre, le produit s'avère conforme à la Directive ci-après selon les conditions essentielles requises pour les « quasi-machines » :

- DIRECTIVE 2006/42/CE du PARLEMENT EUROPÉEN ET DU CONSEIL du 17 mai 2006 relative aux machines et modifiant la Directive 95/16/CE (refonte)
  - Nous déclarons que la documentation technique pertinente a été remplie conformément à l'Annexe VII B de la Directive 2006/42/CE et que les conditions essentielles suivantes ont été respectées :  
1.1.1- 1.1.2- 1.1.3- 1.2.1-1.2.6- 1.5.1-1.5.2- 1.5.5- 1.5.6- 1.5.7- 1.5.8- 1.5.10- 1.5.11
  - Le fabricant s'engage à transmettre aux autorités nationales, en réponse à une demande motivée, les renseignements pertinents sur la « quasi-machine », sans préjudice de ses droits de propriété intellectuelle.
  - Si la « quasi-machine » est mise en service dans un pays européen dont la langue officielle est différente de celle employée dans la présente déclaration, l'importateur est tenu d'accompagner la présente déclaration de la traduction y afférente.
  - Nous avertissons que la « quasi-machine » ne devra pas être mise en service tant que la machine finale à laquelle elle sera incorporée n'aura pas à son tour été déclarée conforme, s'il y a lieu, aux dispositions de la Directive 2006/42/CE.

Le produit s'avère conforme, limitativement aux parties applicables, aux normes suivantes :  
EN 13241-1:2003+A1:2011, EN 12445:2000, EN 12453:2000, EN 12978:2003+A1:2009

Oderzo, le 23 janvier 2017

Ing. **Roberto Griffa**  
(Chief Executive Officer)





# Manuel pour l'utilisateur

## (à remettre à l'utilisateur final)

Avant d'utiliser pour la première fois l'automatisme, faites-vous expliquer par l'installateur l'origine des risques résiduels et consacrez quelques minutes à la lecture de ce guide. Conservez le guide pour pouvoir le consulter dans le futur, en cas de doute, et remettez-le, le cas échéant, au nouveau propriétaire de l'automatisme ;

**ATTENTION : – Votre automatisme est un équipement qui exécute fidèlement vos commandes ; une utilisation inconsciente et incorrecte peut provoquer des situations de danger :**

- **Ne commandez pas le mouvement de l'automatisme si des personnes, des animaux ou des objets se trouvent dans son rayon d'action.**
- **Il est absolument interdit de toucher des parties de l'automatisme quand la lisse est en mouvement !**
- **Le passage n'est autorisé que lorsque la lisse est complètement ouverte et à l'arrêt !**

## Recommandations

**1 - Enfants :** une installation d'automatisation garantit un degré de sécurité élevé en empêchant avec ses systèmes de détection le mouvement en présence de personnes ou d'objets et en garantissant une activation toujours prévisible et sûre. Il est toutefois prudent d'interdire aux enfants de jouer à proximité de l'automatisme et, pour éviter les activations involontaires, il ne faut pas laisser les télécommandes à leur portée : ce n'est pas un jouet.

**2 -** Le produit n'est pas destiné à être utilisé par des personnes (enfants compris) aux capacités physiques, sensorielles ou mentales réduites, ou manquant d'expérience ou de connaissances, à moins que celles-ci aient pu bénéficier, par l'intermédiaire d'une personne responsable de leur sécurité, d'une surveillance ou d'instructions sur l'utilisation du produit.

**3 - Anomalies :** Dès que vous notez un quelconque fonctionnement anormal de, coupez l'alimentation électrique de l'installation et procédez au débrayage manuel. Ne tentez pas de procéder seul à une quelconque réparation mais demandez l'intervention de votre installateur de confiance : entre temps, le système peut fonctionner en ouverture non automatisée après le débrayage du motoréducteur comme indiqué plus haut **En cas de ruptures ou d'absence d'alimentation**, en attendant l'intervention de votre l'installateur ou le retour de l'électricité si l'installation est dépourvue de batterie tampon, l'automatisme peut tout de même être utilisé. Il suffit de procéder au débrayage manuel du motoréducteur (voir point 9 – Débrayage et blocage manuel du motoréducteur) et de déplacer manuellement la lisse dans le sens désiré.

**4 - Commande avec les sécurités hors service :** si les dispositifs de sécurité dont est équipée la barrière ne devaient pas fonctionner correctement, il est tout de même possible de commander la barrière :

- actionner la commande de la barrière (par le biais de l'émetteur ou du sélecteur à clé, etc.) ; si tout est en ordre, la lisse s'ouvrira ou se fermera normalement, autrement le clignoteur fera quelques éclats mais la manœuvre démarrera pas (le nombre de clignotements dépend du motif pour lequel la manœuvre ne peut pas avoir lieu).
- Dans ce cas, dans les trois secondes qui suivent, il faut actionner de nouveau la commande et maintenir l'action sur la commande.
- au bout d'environ 2 s, le mouvement de la barrière commencera en mode « commande par action maintenue », c'est-à-dire que tant que la commande est maintenue, la lisse continue sa manœuvre, **DÈS QUE LA COMMANDE EST RELÂCHÉE, LA LISSE S'ARRÊTE.**

**Avec les dispositifs de sécurité hors service, il faut faire réparer au plus tôt l'automatisme.**

**5 -** Même si vous estimez en être en mesure de le faire, ne modifiez pas l'installation et les paramètres de programmation et de réglage de l'automatisme : c'est votre installateur qui en est responsable

**6 -** L'essai final, les maintenances périodiques et les éventuelles réparations doivent être documentés par la personne qui s'en charge et les documents doivent être conservés par le propriétaire de l'installation. La seule intervention que l'utilisateur peut effectuer et que nous conseillons de faire périodiquement est le nettoyage des verres des photocellules et de l'automatisme Pour empêcher que quelqu'un puisse actionner la barrière, avant de commencer, n'oubliez pas de

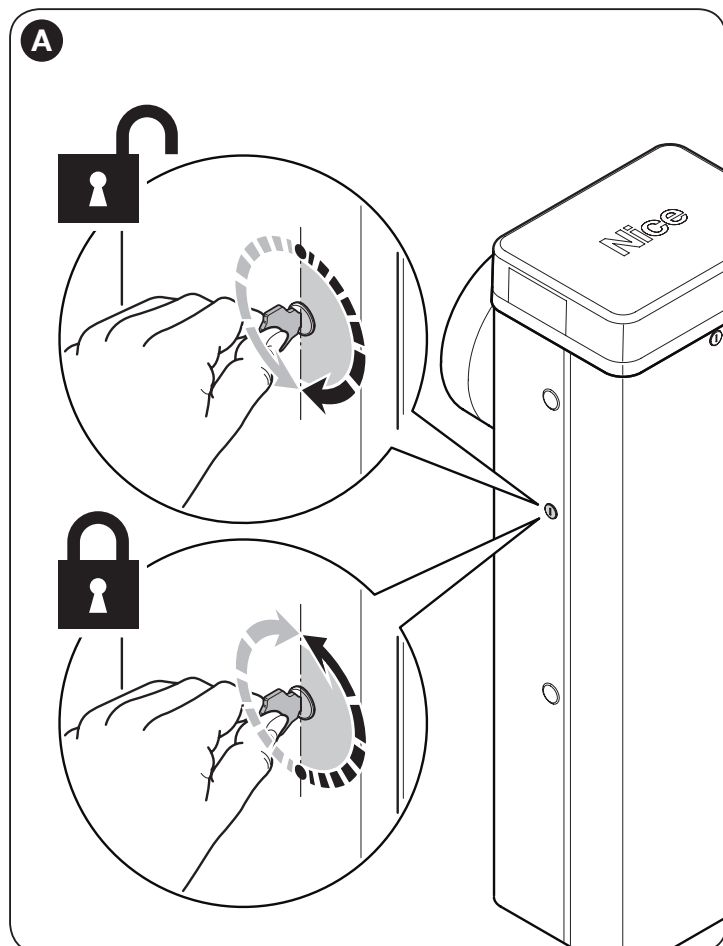
débrayer l'automatisme (comme décrit plus loin) et d'utiliser pour le nettoyage uniquement un chiffon légèrement imbibé d'eau.

**7 - Mise au rebut :** À la fin de la vie de l'automatisme, assurez-vous que le démantèlement soit effectué par du personnel qualifié et que les matériaux seront recyclés ou mis au rebut en respectant les normes locales en vigueur.

**8 - Débrayage et blocage manuel du motoréducteur :** Le motoréducteur est muni d'un système mécanique qui permet d'ouvrir et de fermer manuellement la lisse. Ces opérations doivent être exécutées dans les cas d'interruption du courant électrique ou d'anomalies de fonctionnement.

**IMPORTANT! - L'opération de débrayage et de blocage du motoréducteur ne doit avoir lieu que lorsque la lisse est arrêtée et en position horizontale.**

Pour bloquer et débloquer manuellement la barrière, insérer la clef fournie et tourner la clef de 180° (**fig. A**) ; il est possible de tourner dans les deux sens.





# Plan de maintenance (à remettre à l'utilisateur final)

## REGISTRE DE MAINTENANCE

**Importante** – Ce registre de maintenance doit être remis au propriétaire de l'automatisme après l'avoir dûment rempli.

Il faut prendre note dans ce registre de toutes les activités de maintenance, de réparation et de modification effectuées. Le registre devra être mis à jour à chaque intervention et conservé avec soin pour être disponible pour d'éventuelles inspections de la part d'organismes autorisés.

Le présent « registre de maintenance » se réfère à l'automatisme suivant :

mod. MBAR et L9BAR. - matricule n° ..... - installé le ..... - adresse .....

Le « Registre de maintenance » comprend les documents suivants :

- 1) - Plan de maintenance
- 2) - .....
- 3) - .....
- 4) - .....
- 5) - .....
- 6) - .....

Sur la base du document joint « Plan de Maintenance », les opérations de maintenance doivent être effectuées en respectant la fréquence suivante : **tous les 6 mois** ou **50.000 cycles de manœuvres**, en fonction du cas qui se présentera en premier.

## PLAN DE MAINTENANCE

**Attention : – La maintenance de l'installation doit être effectuée par du personnel technique et qualifié, dans le plein respect des normes de sécurité prévues par les lois en vigueur et des consignes de sécurité qui figurent dans le chapitre 1 - "Avertissements et précautions générales pour la sécurité", au début de ce guide.**

En général, la barrière routière n'a pas besoin d'être soumise à une maintenance particulière ; toutefois, un contrôle régulier dans le temps permet de garantir le bon fonctionnement de l'installation et l'efficacité des dispositifs de sécurité installés.

Pour la maintenance des dispositifs complémentaires, suivre les dispositions prévues dans les plans de maintenance respectifs.

En règle générale ; il est conseillé de faire un contrôle périodique, selon les cadences suivantes : tous les 6 mois ou 50.000 manœuvres.

Il faut préciser que même en cas de rupture du ressort la barrière routière reste tout de même conforme aux exigences prévues en 4.3.4 de la norme EN 12604: 2000.

• Le système d'équilibrage de la lisse doit être vérifié au moins 2 fois par an, de préférence au moment des changements de saison.

À l'échéance prévue pour la maintenance, il faut effectuer les contrôles et les remplacements suivants :

- 1 Sectionner toute source d'alimentations électrique.
- 2 Vérifier l'état d'usure de tous les matériels qui composent la barrière en prêtant une particulière attention aux phénomènes de corrosion ou d'oxydation de la structure ; remplacer les éléments qui ne présentent pas de garantie suffisante
- 3 Vérifier que les connexions à vis soient serrées de manière adéquate (en particulier celles du ressort d'équilibrage)
- 4 Vérifier qu'il n'y a pas de jeu entre le levier d'équilibrage et l'arbre de sortie. Si c'était le cas bien serrer la vis centrale
- 5 Lubrifier la tête articulée du ressort d'équilibrage et l'agrafe inférieure.
- 6 Pour les versions M7BAR et L9BAR, vérifier le parfait blocage entre les deux segments de la lisse. Agir éventuellement sur les vis d'expansion.
- 7 Placer la lisse en position verticale et vérifier que le pas des spires du ressort d'équilibrage soit constant et sans déformation.
- 8 Débloquer et vérifier le correct équilibrage de la lisse ainsi que l'existence d'éventuels empêchements à l'ouverture et la fermeture manuelle
- 9 Rebloquer et effectuer la procédure de test.

**10 Vérifier qu'il n'existe pas de danger de levage** : en matière d'automatismes à mouvement vertical il faut vérifier qu'il n'y ait pas de danger de levage. Cet essai peut être effectué de la manière suivante : suspendre à la moitié de la longueur de la lisse un poids de 20 kg (par exemple un sac de gravier), commander une ma-

noœuvre d'ouverture et vérifier que durant cette manœuvre la lisse ne dépasse pas 50 cm de hauteur de par rapport à sa position de fermeture. Si la lisse dépasse cette hauteur, il faut réduire la force moteur (voir chapitre 6 - Tableau 7).

**11** Si la protection contre les situations dangereuses provoquées par le mouvement de la lisse a été assurée par la limitation de la force d'impact, il faut effectuer la mesure de la force conformément à ce que prévoit la norme EN 12445 et éventuellement, si le contrôle de la « force du moteur » est utilisé comme un moyen pour la réduction de la force d'impact, procéder à des essais et trouver le réglage qui donne les meilleurs résultats.

**12 Vérification de l'efficacité du système de débrayage** : mettre la lisse en position de fermeture et effectuer le débrayage manuel du motoréducteur (voir paragraphe 3.6) en vérifiant que celui-ci se fait sans difficultés. Vérifier que la force manuelle pour déplacer la lisse en ouverture n'est pas supérieure à 200 N (environ 20 kg) ; la force est mesurée perpendiculaire à la lisse et à 1 m de l'axe de rotation. Vérifier en dernier lieu que la clé nécessaire au débrayage manuel soit disponible sur l'automatisme.

**13 Vérification du système de sectionnement de l'alimentation** : en agissant sur le dispositif de sectionnement de l'alimentation et en déconnectant les éventuelles batteries tampon, vérifier que toutes les leds présentes sur la logique de commande soient éteintes et que la lisse ne bouge pas quand on envoie une commande. Vérifier l'efficacité du système de blocage pour éviter la mise sous tension de manière non intentionnelle ou non autorisée.

<b>Date</b>	<b>Description de l'intervention effectuée</b> <small>(Description des vérifications, réglages, réparations, modifications...)</small>	<b>Signature du Technicien</b>	<b>Signature du Propriétaire</b>
	<input type="checkbox"/> Toutes les phases prévues par le plan de maintenance ont été exécutées		





## Índice

<b>1 - ADVERTENCIAS GENERALES: SEGURIDAD - INSTALACIÓN - USO</b> .....	1
<b>2 - DESCRIPCIÓN DEL PRODUCTO Y USO PREVISTO</b> .....	3
<b>3 - INSTALACIÓN</b> .....	3
3.1 - Controles preliminares a la instalación .....	3
3.2 - Límites de empleo del producto .....	3
3.2.1 - Durabilidad del producto .....	3
3.3 - Comprobaciones previas a la instalación .....	4
3.3.1 - Establezca el esquema con el que posicionar todos los componentes del sistema ..	4
3.3.2 - Establezca el recorrido de los cables de conexión .....	4
3.3.3 - a) - Posicione el muelle de equilibrado según el peso del mástil junto con los accesorios previstos. b) - Configure la dirección de cierre del mástil: a la derecha o la izquierda del motor .....	4
3.4 - Fijación del accionador de barrera .....	4
3.4.1 - Si la superficie de apoyo existe .....	4
3.4.2 - Si la superficie de apoyo no existe .....	5
3.5 - Instalación del mástil y de los accesorios previstos .....	5
3.5.1 - Ensamblaje del soporte para el mástil .....	5
3.5.2 - Ensamblaje del mástil formado por una única pieza, entera o cortada .....	5
3.5.3 - Ensamblaje del mástil formado por dos piezas, enteras o cortadas .....	6
3.5.4 - Instalación de los accesorios previstos para el mástil .....	6
3.6 - Desbloqueo y bloqueo manual del accionador de barrera .....	6
3.6.1 - Cómo desplazar el cilindro de cerradura para el bloqueo y el desbloqueo manual ..	6
3.7 - Regulación de los topes mecánicos .....	6
3.8 - Equilibrado del mástil .....	6
3.8.1 - Equilibrado del mástil M3BAR / M5BAR / M7BAR .....	6
3.8.2 - Equilibrado del mástil L9BAR .....	6
<b>4 - CONEXIONES ELÉCTRICAS</b> .....	6
4.1 - Descripción de las conexiones eléctricas .....	6
4.2 - Primer encendido y control de las conexiones .....	7
4.3 - Funciones preconfiguradas .....	7
4.4 - Aprendizaje de los dispositivos conectados .....	7
4.5 - Aprendizaje de las posiciones de Apertura y Cierre .....	7
4.6 - Control del movimiento del mástil .....	8
4.7 - Conexión de un receptor de radio .....	8
4.8 - Conexión de las luces del mástil (accesorio opcional) .....	8
4.9 - Conexión de luces led intermitentes, modelo XBA7, o de luces de semáforo a led, modelo XBA8 (accesorios opcionales) .....	8
4.10 - Conexión de otros dispositivos .....	8
4.10.1 - Unidad de programación Oview .....	8
4.10.2 - Batería compensadora mod. PS224 (accesorio) .....	8
4.10.3 - Sistema Solemyo (alimentación fotovoltaica) .....	8
<b>5 - ENSAYO Y PUESTA EN SERVICIO</b> .....	9
5.1 - Ensayo .....	9
5.2 - Puesta en servicio .....	9
<b>6 - PROGRAMACIÓN DE LA CENTRAL DE MANDO</b> .....	10
6.1 - Programación del primer nivel (ON-OFF) .....	10
6.2 - Programación del segundo nivel (parámetros regulables) .....	10
<b>7 - OTRAS INFORMACIONES</b> .....	12
7.1 - Borrado total de la memoria de la central de mando .....	12
7.2 - Otras funciones .....	12
7.3 - Añadir o quitar dispositivos .....	13
7.3.1 - Entrada Bluebus .....	13
7.3.2 - Fococélulas .....	13
7.3.3 - Selector digital MOTB y lector de proximidad para tarjetas por transponder MOMB .....	13
7.3.4 - Entrada STOP .....	13
7.4 - Diagnóstico .....	14
7.4.1 - Señales de la central de mando .....	14
7.4.2 - Señales de la luz intermitente .....	16
7.5 - Bucle detector .....	16
7.5.1 - Funcionamiento .....	16
7.5.2 - Instalación .....	16
7.6 - Modos Master y Slave .....	18
7.6.1 - Instalación y conexiones eléctricas .....	18
<b>8 - QUÉ HACER SI... (guía para solucionar los problemas)</b> .....	19
• Eliminación del producto .....	19
• Características técnicas del producto .....	20
• Declaración de conformidad: anexo I (anexo recortable) .....	21
• Manual de uso (anexo recortable) .....	23
• Plan de mantenimiento (anexo recortable) .....	25
<b>IMÁGENES</b> .....	I - XIX

Las siguientes advertencias se transcriben directamente de las Normas y se aplican, en la medida de lo posible, al producto en cuestión.

## 1 ADVERTENCIAS GENERALES: SEGURIDAD - INSTALACIÓN - USO

### 1.1 - Advertencias de seguridad

**ATENCIÓN** Instrucciones importantes para la seguridad. Seguir todas las instrucciones: una instalación incorrecta puede provocar daños graves

**ATENCIÓN** Instrucciones importantes para la seguridad. Para la seguridad de las personas es importante seguir estas instrucciones. Conservar estas instrucciones

- Antes de comenzar la instalación, verificar las "Características técnicas del producto" y asegurarse de que el producto sea adecuado para la automatización en cuestión. NO proceder con la instalación si el producto no es adecuado

- El producto no se puede utilizar sin haber llevado a cabo las operaciones de puesta en servicio especificadas en el apartado "Prueba y puesta en servicio"

**ATENCIÓN** Según la legislación europea más reciente, la realización de una automatización debe respetar las normas armonizadas previstas por la Directiva Máquinas vigente, que permiten declarar la presunción de conformidad de la automatización. Considerando todo esto, las operaciones de conexión a la red eléctrica, prueba, puesta en servicio y mantenimiento del producto deberán ser llevadas a cabo exclusivamente por un técnico cualificado y competente

- Antes de proceder a la instalación del producto, comprobar que todo el material que se vaya a utilizar esté en perfectas condiciones y sea apto para el uso

- El producto no puede ser utilizado por niños ni por personas con capacidades físicas, sensoriales o mentales reducidas o carentes de experiencia o de conocimiento

- Los niños no deben jugar con el aparato

- No permitir que los niños jueguen con los dispositivos de mando del producto. Mantener los mandos a distancia fuera del alcance de los niños

**ATENCIÓN** Para evitar cualquier peligro debido al restablecimiento accidental del interruptor térmico, el aparato no debe alimentarse mediante un dispositivo de maniobra externo, como un temporizador, ni debe conectarse a un circuito que regularmente se conecte y desconecte de la alimentación

- En la red de alimentación de la instalación, colocar un dispositivo de desconexión (no suministrado) con una distancia de apertura de los contactos que permita la desconexión completa en las condiciones dictadas por la categoría de sobretensión III

- Durante la instalación, tratar el producto con cuidado evitando aplastamientos, caídas o contactos con cualquier tipo de líquido. No colocar el producto cerca de fuentes de calor y no exponerlo a llamas libres. Todas estas acciones pueden dañarlo y provocar defectos de funcionamiento o situaciones de peligro. En tal caso, suspender inmediatamente la instalación y acudir al Servicio de Asistencia

- El fabricante no asume ninguna responsabilidad ante daños patrimoniales, de bienes o de personas, derivados del incumplimiento de las instrucciones de montaje. En estos casos, la garantía por defectos de material queda sin efecto

- El nivel de presión acústica de la emisión ponderada A es inferior a 70 dB(A)

- La limpieza y el mantenimiento del aparato deben ser efectuados por el usuario y no por niños sin vigilancia

- Antes de realizar cualquier operación en la instalación (limpieza, mantenimiento) hay que desconectar el aparato de la red de alimentación

- Inspeccionar la instalación con frecuencia, especialmente los cables, muelles y soportes, a fin de detectar posibles desequilibrios y marcas de desgaste o daños. No utilizar la instalación si es necesaria una reparación o una regulación: una avería en la instalación o un equilibrio incorrecto de la automatización puede provocar lesiones

- El material del embalaje del producto debe desecharse en plena conformidad con la normativa local

- Mantener a las personas alejadas al accionar el movimiento de la automatización mediante los elementos de mando

- Durante la ejecución de un movimiento, controlar el sistema de automatización y asegurarse de que las personas se mantengan alejadas hasta que el sistema pare de funcionar

- No poner en funcionamiento el producto cuando en sus proximidades se estén realizando tareas en la automatización; es necesario desconectar la fuente de alimentación antes de realizar estas tareas

- Si el cable de alimentación está dañado, debe ser sustituido por el fabricante o por el servicio de asistencia técnica o por una persona con una calificación similar, para prevenir cualquier riesgo

### 1.2 - Advertencias para la instalación

- Antes de instalar el motor de accionamiento, comprobar que todos los órganos mecánicos estén en buenas condiciones y bien equilibrados y que la automatización se abra y se cierre correctamente

- Asegurarse de que los elementos de mando se mantengan lejos de los órganos en movimiento, permitiendo la visión directa. A no ser que se utilice un selector, los elementos de mando se deben instalar a una altura mínima de 1,5 m y no deben quedar accesibles

- Si el movimiento de apertura es controlado por un sistema antiincendio, asegurarse de que las ventanas de más de 200 mm sean cerradas por los elementos de mando

- Prevenir y evitar cualquier forma de atrapamiento entre las partes en movimiento y las partes fijas durante los movimientos

- Fijar de manera permanente la etiqueta relativa a la maniobra manual cerca del órgano de maniobra
- Después de instalar el motor de accionamiento, asegurarse de que el mecanismo, el sistema de protección y todas las maniobras manuales funcionen correctamente

### 1.3 - Advertencias específicas sobre las Directivas Europeas aplicables al producto

#### • Directiva “Productos para la construcción”:

Advertencias particulares sobre este producto en relación con el Reglamento Productos para la construcción 305/2011:

- La instalación completa de este producto tal como se describe en este manual de instrucciones y para algunos tipos de uso (excluyendo el uso para vehículos) puede determinar su inclusión en el campo de aplicación del Reglamento 305/2011 y la relativa norma armonizada EN 13241-1.

- En el apartado 1.3.1 “Criterios de instalación y advertencias particulares en relación con los requisitos esenciales” se indican todos los criterios de instalación necesarios para que el producto responda a los requisitos esenciales del Reglamento 305/2011; quien realice la instalación deberá comprobar y asegurarse de que todos estos criterios se hayan respetado estrictamente.

- Podrían no estar garantizados los requisitos esenciales si el elevador de barrera vial se instala y utiliza sin respetar alguno de estos criterios. **Está prohibido utilizar el producto si el instalador no ha verificado la conformidad con los requisitos establecidos por la directiva;** en este caso, la etiqueta aplicada al producto deberá quitarse de inmediato y la “Declaración de conformidad CE” del anexo I de este manual quedará sin efecto. Quien realice la instalación se convertirá a su vez en fabricante del producto “barrera automática” y deberá cumplir con las disposiciones del Reglamento 305/2011 y de la relativa norma armonizada EN 13241-1. En este caso, el elevador de barrera deberá considerarse como “cuasi máquina” y la “Declaración de conformidad CE” del anexo II será válida y podrá estar incluida en el expediente técnico.

#### • Directiva “Máquinas”:

- En el apartado 1.3.1 “Criterios de instalación y advertencias particulares en relación con los requisitos esenciales” se indican todos los criterios de instalación necesarios para que el producto responda a los requisitos esenciales de la Directiva Máquinas. Quien realice la instalación deberá comprobar y asegurarse de que se cumplan estrictamente todos estos criterios.

- Podrían no estar garantizados los requisitos esenciales si el elevador de barrera vial se instala y utiliza sin respetar alguno de estos criterios. **Está prohibido utilizar el producto en estas condiciones si el instalador no ha verificado la conformidad a los requisitos establecidos por la directiva;** en este caso, la “Declaración de conformidad CE” del anexo I quedará sin efecto. Quien realice la instalación se convertirá a su vez en fabricante del producto “barrera automática” y deberá cumplir con las disposiciones de la Directiva Máquinas. El fabricante debe realizar el análisis de los riesgos, incluyendo la lista de los requisitos esenciales de seguridad previstos en el “anexo I de la Directiva de Máquinas”, indicando las relativas soluciones adoptadas. El análisis de los riesgos es uno de los documentos que constituyen el “expediente técnico” de la automatización. Debe ser compilado por un instalador profesional utilizando la “Declaración de Conformidad” del anexo II compilada por quien ha realizado la instalación del elevador de barrera vial.

#### Advertencias particulares sobre la idoneidad de este producto según la Directiva “Máquinas”; a considerar en caso de que el instalador se convierta en fabricante del producto.

El elevador de barrera vial se introduce en el mercado como “cuasi máquina”, construido para incorporarse en una máquina o para ser ensamblado con otras máquinas y conformar “una máquina” según la Directiva Máquinas, sólo

en combinación con los otros componentes y según se indica en este manual de instrucciones. Según lo previsto por la Directiva Máquinas, se advierte que no se permite la puesta en servicio de este producto hasta que el fabricante de la máquina donde se incorporará el producto no la haya identificado y declarado conforme a la Directiva Máquinas.

#### • Directiva “Baja Tensión”:

Advertencias particulares sobre la idoneidad de este producto según la Directiva “Baja Tensión”.

Este producto responde a los requisitos establecidos por la Directiva “Baja Tensión” si se destina al uso y a las configuraciones previstas en este manual de instrucciones, en combinación con los artículos ilustrados en el catálogo de productos de Nice S.p.A.

Podrían no estar garantizados los requisitos si el producto se utilizara en configuraciones o con productos no previstos; está prohibido el uso del producto en estas situaciones si el instalador no ha verificado la conformidad a los requisitos establecidos por la normativa.

#### • Directiva “Compatibilidad Electromagnética”:

Advertencias particulares sobre la idoneidad de este producto según la Directiva “Compatibilidad Electromagnética”.

Este producto se ha sometido a pruebas de compatibilidad electromagnética en las situaciones de uso más críticas, en las configuraciones previstas en este manual de instrucciones y en combinación con los artículos ilustrados en el catálogo de productos de Nice S.p.A.

Podría no estar garantizada la compatibilidad electromagnética si el producto se utilizara en configuraciones o con productos no previstos; está prohibido el uso del producto en estas situaciones si el instalador no ha verificado la conformidad a los requisitos establecidos por la normativa.

### 1.3.1 - Criterios de instalación y advertencias particulares en relación con los requisitos esenciales

Si se instala correctamente, este producto cumple con los requisitos esenciales previstos por el Reglamento 305/-2011 según lo establecido por la norma armonizada EN 13241-1, como se indica en la **Tabla 1**, y por la Directiva europea sobre “Máquinas”.

**¡Atención!** – Si el elevador de barrera vial estuviera destinado al uso para tránsito exclusivamente de vehículos, se excluiría del campo de aplicación de la norma EN 13241-1; en este caso, el respeto de algunos de los requisitos de la Tabla A podría no ser obligatorio. El tránsito puede considerarse “exclusivamente de vehículos” cuando está expresamente prohibido, con las señales correspondientes, por ejemplo, para los peatones, y siempre que los otros tipos de tránsito, si los hay, cuenten con los espacios independientes necesarios.

#### • Emisión de sustancias peligrosas:

El producto no contiene ni emite sustancias peligrosas, considerando la norma EN 13241-1 y la lista de sustancias publicada en el sitio Internet de la Comunidad Europea

**Advertencia particular para garantizar el mantenimiento del requisito** – Es fundamental que también los materiales empleados en la instalación, como los cables eléctricos, cumplan con este requisito.

#### • Resistencia a la carga del viento

En la **Tabla 1a** se indica la resistencia de la barrera a la presión diferencial del viento. Las pruebas se han realizado con la barrera dotada de parachoques; otros accesorios podrían aumentar la superficie expuesta y reducir la resistencia a la carga del viento.

#### • Apertura segura para puertas de movimiento vertical

El producto no provoca movimientos incontrolados ni la caída de la barrera en caso de avería de un componente del sistema de suspensión o de equilibrio (muelles).

**TABLA 1 - Requisitos esenciales para el marcado CE (según el anexo ZA.1 de la norma EN 13241-1)**

Características esenciales	Punto de la norma	Resultado
Resistencia al agua	4.4.2	NPD*
Emisión de sustancias peligrosas	4.2.9	Conforme
Resistencia a la carga del viento	4.4.3	Conforme
Resistencia térmica	4.4.5	NPD*
Permeabilidad al aire	4.4.6	NPD*
Apertura segura para puertas de movimiento vertical	4.2.8	Conforme
Definición de la forma de los componentes de vidrio	4.2.5	NPD*
Resistencia mecánica y estabilidad	4.2.3	Conforme
Fuerzas de maniobra para cierres motorizados	4.3.3	Conforme
Durabilidad de la resistencia al agua, de la resistencia térmica y de la permeabilidad al aire	4.4.7	NPD*

\* NPD = Rendimiento no declarado, cuando el producto no ofrece este rendimiento, por ejemplo “Permeabilidad al agua”, o cuando el requisito no se aplica, por ejemplo “Definición de la forma de los componentes de vidrio”.

**TABLA 1a**

Barrera:	M3BAR	M5BAR	M7BAR	L9BAR
Clase	4	4	2	2*
Presión del viento [Pa]	≥ 1000	≥ 1000	≥ 450	≥ 450
Velocidad máx. del viento [Km/h]	155	155	104	104
Término descriptivo	Huracán	Huracán	Tormenta violenta / Fuerte temporal	Tormenta violenta / Fuerte temporal

\* La Clase 2 se ha alcanzado con la utilización del accesorio modelo WA11

## Advertencias particulares para garantizar el mantenimiento de los requisitos:

- Realizar la instalación siguiendo estrictamente todas las indicaciones de los capítulos 3 - Instalación y 5 - Prueba y puesta en servicio.

- Asegurarse de organizar un plan de mantenimiento estrictamente conforme a las instrucciones del capítulo "Plan de mantenimiento" (anexo separable al final del manual).

### • Resistencia mecánica y estabilidad

El producto está diseñado y construido de manera que durante el uso normal las fuerzas aplicadas, los impactos y el desgaste no lo dañen y no perjudiquen sus prestaciones mecánicas.

**Advertencia:** ver lo indicado para el requisito "Apertura segura para puertas de movimiento vertical".

### • Fuerzas de movimiento para cierres motorizados

Los riesgos de aplastamiento e impacto derivados de las fuerzas de funcionamiento ejercidas por la barrera se previenen con uno de estos tres métodos:

**1 Para el funcionamiento con "mando sin retén automático" (manual):** según las especificaciones EN 12453. En este caso, la tecla de mando debe estar a la vista y, si está al alcance de la mano, su uso debe estar protegido por un selector de llave, por ejemplo.

**2 Para el funcionamiento "semiautomático"** a través de la limitación de las fuerzas según lo especificado en la norma EN 12453.

**3 Para el funcionamiento "automático":** a través de la limitación de las fuerzas según lo especificado en la norma EN 12453; en este caso, se debe instalar al menos un par de fotocélulas como se indica en la fig. 1.

**Advertencia particular para garantizar el mantenimiento del requisito:** ver lo indicado para el requisito "Apertura segura para puertas de movimiento vertical".

## 2 DESCRIPCIÓN DEL PRODUCTO Y USO PREVISTO

MBAR y L9BAR son accionadores de barreras de paso electromecánicos destinados para uso residencial e industrial que controlan la apertura y el cierre de un paso para vehículos con una anchura comprendida entre 3 y 8 metros.

		ACCESORIOS INSTALABLES				
		Mástil	Goma	Luces	Bastidor	Apoyo móvil
ARMARIO	M3BAR	3 m	sí	sí	—	—
	M5BAR	4 m	sí	sí	sí (1 pieza)	sí
		5 m	sí	sí	—	—
	M7BAR	5 m	sí	sí	sí (2 piezas)	sí
		3+3 m	sí	sí	sí (2 piezas)	sí
		3+4 m	sí	sí	—	—
	L9BAR	3+4 m	sí	sí	sí (3 piezas)	sí
		4+4 m	sí	sí	sí (3 piezas)	sí
		4+5 m	sí	sí	—	—

**¡ATENCIÓN! – Se considera inadecuado y queda prohibido cualquier otro uso distinto al descrito y en condiciones ambientales diversas de las que se indican en este manual.**

Estas barreras están equipadas con un motorreductor electromecánico dotado de un motor de 24 V, que incorpora un bucle detector para 2 espiras magnéticas, un sistema de final de carrera eléctrico y una luz intermitente que se puede incorporar en la tapa (accesorio opcional). Estos dos modelos pueden instalarse como barreras contrapuestas con la modalidad "Master-Slave" (Maestro-Esclavo) con la intención de cubrir la superficie de un paso para vehículos con una anchura superior a 8 metros (véase el apartado 7.5).

La central de mando está predispuesta para ser conectada a dispositivos pertenecientes al Sistema Opera de Nice y al sistema de alimentación por energía solar "Solemyo" (véase el apartado 4.10.3).

Las barreras funcionan con energía eléctrica y, si ésta se cortara (corte eléctrico), se podrá realizar el desbloqueo manual del mástil y moverlo manualmente. Como alternativa, es posible utilizar la batería compensadora modelo PS224 (accesorio opcional; véase el apartado 4.10.2) que garantiza que el sistema de automatización ejecute algunos movimientos en las primeras horas de corte de la corriente eléctrica. En caso de que desee ampliar este período o el número de maniobras ejecutables, es preciso activar la función "Stand by" (véase la tabla 6).

Notas importantes para consultar el manual

- En el presente manual, las palabras "barrera de paso" hacen referencia a los dos productos "MBAR" y "L9BAR".
- Los accesorios mencionados en el manual son opcionales.

### Lista de accesorios disponibles:

XBA4: luces del mástil MBAR y L9BAR

XBA5: mástil de aluminio blanco barnizado, l. 5150 mm

XBA6: luces del mástil M7BAR

XBA7: luz led intermitente que se puede conectar en el interior de la tapa

XBA8: luz de semáforo a led que se puede conectar en el interior de la tapa

XBA9: unión universal

XBA10: conexión pivotante

XBA11: articulación para el mástil

WA11: Apoyo regulable para mástil (obligatorio para L9BAR)

WA12: apoyo móvil

WA13 - Bastidor, L. 2000 mm

XBA13: conjunto de goma paragolpes

XBA14: mástil de aluminio pintada de blanco, longitud 4.150 mm

XBA15: mástil de aluminio pintada de blanco, longitud 3.150 mm

XBA16: placa de cimentación MBAR

XBA17: placa de cimentación L9BAR

XBA18: luces para mástil L9BAR

## 3 INSTALACIÓN

### 3.1 - Controles preliminares a la instalación

Antes de proceder con la instalación, es necesario controlar la integridad de los componentes del producto, que el modelo elegido sea adecuado y que el entorno destinado para la instalación sea idóneo:

- Controle que todo el material a utilizar esté en perfectas condiciones y sea adecuado para el uso previsto.
- Controle que se puedan respetar todos los límites de empleo del producto (véase el apartado 3.2).
- Controle que el entorno escogido para la instalación sea compatible con las medidas totales del producto (fig. 2).
- Compruebe que la superficie escogida para la instalación de la barrera sea sólida y que garantice una fijación estable.
- Compruebe que la zona de fijación no pueda inundarse; prevea el montaje del accionador de barrera cuando esté levantada.
- Compruebe que el espacio que se encuentra alrededor del accionador de barrera permita una ejecución fácil y segura de los movimientos manuales.
- Controle que a lo largo de la trayectoria del movimiento del mástil no haya obstáculos que puedan impedir los movimientos de apertura y cierre.
- Controle que todos los dispositivos que se deban instalar queden colocados en una posición segura y protegida de golpes accidentales.

### 3.2 - Límites de empleo del producto

Antes de instalar el producto, controle que todos los valores indicados en el capítulo "Características técnicas del producto" sean compatibles con el uso previsto.

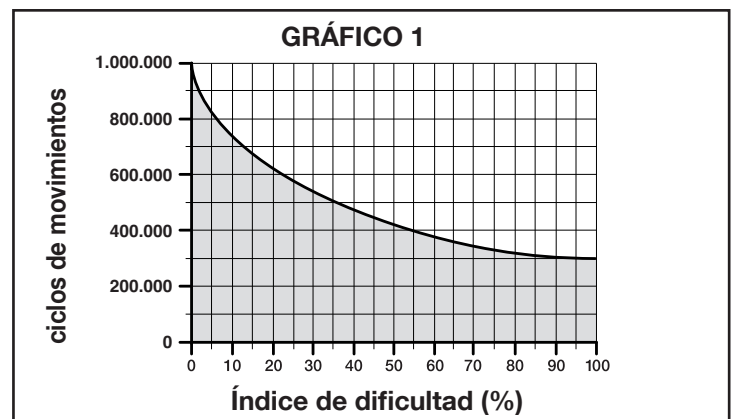
- Controle que la durabilidad estimada (véase el apartado 3.2.1) sea compatible con el uso previsto.
- Controle que se puedan respetar todos los límites, las condiciones y advertencias indicadas en el presente manual.

#### 3.2.1 - Durabilidad del producto

La durabilidad es la vida útil media del producto. El valor de la durabilidad depende mucho del índice de dificultad de los movimientos, es decir, la suma de todos los factores que contribuyen al desgaste del producto, véase la **Tabla 2**. Para evaluar la durabilidad del automatismo, proceda de la siguiente manera:

01. Sume los valores de los ítems en la **Tabla 2** relativos a las condiciones presentes en el sistema;
02. En el **Gráfico 1**, trace una línea vertical desde el valor apenas encontrado hasta cruzar la curva; desde este punto, trace una línea horizontal hasta cruzar la línea de los "ciclos de movimientos". El valor determinado es la durabilidad estimada de su producto.

Los valores de durabilidad indicados en el gráfico se obtienen sólo respetando rigurosamente el plan de mantenimiento, véase el capítulo "Plan de mantenimiento". El valor estimado de durabilidad se obtiene sobre la base de los cálculos de proyecto y de los resultados de los ensayos efectuados con los prototipos. En efecto, siendo un valor estimado, no representa ninguna garantía explícita sobre la duración efectiva del producto.



**Ejemplo del cálculo de la vida útil del accionador de barrera de paso (tome como referencia la Tabla 2 y el Gráfico 1):** M5BAR con apoyo móvil (índice de dificultad equivalente al 10%) - Velocidad nivel 3 (índice de dificultad equivalente al 10%) - Frenado (índice de dificultad equivalente al 10%): **índice de dificultad total = 30%**  
**La vida útil estimada es de 550.000 ciclos de movimientos aproximadamente.**

TABLA 2	Índice de dificultad			
	M3BAR	M5BAR	M7BAR	L9BAR
Articulación para el mástil (XBA11)	20	15	—	—
Velocidad nivel 3	15	10	15	15
Velocidad nivel 2	0	0	10	10
Interrupción movimiento desde Fotocélula > 10%	15	10	15	15
Interrupción movimiento desde Alt > 10%	10	10	15	15
Apoyo móvil (WA12)	—	10	10	10
Frenado	10	10	10	10
Fuerza igual a 7 ó 8	10	10	10	10
Fuerza igual a 5 ó 6	5	5	5	5
Presencia de salinidad	10	10	10	10
Presencia de polvo o arena	5	5	5	5
Bastidor	—	5	5	5
Temperatura ambiente superior a 40 °C e inferior a 0 °C	5	5	5	5

### 3.3 - Comprobaciones previas a la instalación

#### 3.3.1 - Establezca el esquema con el que posicionar todos los componentes del sistema

Tomando como referencia el esquema estándar que se muestra en la fig. 1, establezca la posición aproximada donde se instalarán cada uno de los componentes previstos en el sistema. En el esquema se enumeran todos los componentes presentes en el embalaje del producto (fig. 3): [a] barrera de paso con central de mando incorporada; [b] soporte y tapa del mástil; [c] n°2 cuadro para fotocélulas; [d] acoplamiento de aluminio de 300 mm. de longitud; [e] tapón de mástil fijo; n°2 acoplamientos para goma paragolpes; n° 2 acoplamientos sin goma paragolpes; [f] llaves para desbloqueo y bloqueo manual del mástil; llaves para el cierre de la tapa; herrajes (tornillos, arandelas, etc.); [g] placa de cimentación; [h] n° 4 grapas de fijación; [i] acoplamiento de aluminio de 700 mm. de longitud.

#### 3.3.2 - Establezca el recorrido de los cables de conexión

**¡ATENCIÓN!** – Los extremos de los tubos para el paso de los cables eléctricos se colocan cerca de los puntos donde se ha previsto fijar los distintos dispositivos. **Nota:** los tubos tienen la finalidad de proteger los cables eléctricos y evitar roturas accidentales, por ejemplo, en caso de choque. Para preparar los cables eléctricos necesarios para el sistema, tome como referencia la fig. 1 y la “Tabla 3 - Características técnicas de los cables eléctricos”.

#### 3.3.3 - a) - Posicione el muelle de equilibrado según el peso del mástil junto con los accesorios previstos. b) - Configure la dirección de cierre del mástil: a la derecha o a la izquierda del motor.

El accionador de barrera sale de fábrica configurado del siguiente modo:

– muelle de equilibrado anclado en orificios que no son definitivos.

– maniobra de cierre del mástil orientado a la izquierda.

Estas configuraciones son arbitrarias; por tanto es necesario efectuar las siguientes comprobaciones para saber si tienen que cambiarse o no (es decir, si es necesario o no desplazar a otros orificios el enganche del muelle sobre la palanca de equilibrado o sobre la placa a los pies del accionador de barrera).

• Si se prevé la instalación de un solo accesorio, determine en el recuadro “A” de la Tabla 4 su modelo de accionador de barrera, la longitud prevista del mástil y, por último, el accesorio que se pretende montar en el mástil; a continuación, en correspondencia con estos datos, lea la letra y el número relativos a los orificios que hay que elegir para el enganche del muelle;

• Si se prevé la instalación de más accesorios, determine en el recuadro “B” de la Tabla 4 su modelo de accionador de barrera, la longitud prevista el más-

til y, por último, el tipo y el número de los accesorios que desee montar en el mástil; a continuación, sume los números entre paréntesis que corresponden a los accesorios previstos. Por último, utilice el resultado de la suma para leer, en la parte inferior del recuadro “B”, la letra y el número relativos a los orificios que hay que elegir para el enganche del muelle.

• Si el cierre del mástil se realiza a la derecha del motor, será necesario trasladar el enganche del muelle a uno de los orificios presentes en el otro brazo de la palanca de equilibrado.

Para trasladar el enganche del muelle a orificios distintos a los de configuración de fábrica, proceda del modo siguiente:

- Quite la tapa superior del accionador de barrera (fig. 4).
- Desenrosque los 2 tornillos que fijan la puerta del armario (fig. 5).
- (M3BAR - M5BAR - M7BAR) Gire en sentido contrario a las agujas del reloj la tuerca que se muestra en la fig. 6 (fase a); a continuación, gire el muelle en el sentido de las agujas del reloj de forma manual para relajar la tensión (fig. 6 - fase b).  
– (L9BAR) Gire en el sentido de las agujas del reloj la tuerca que se muestra en la fig. 7 (fase a) para relajar la tensión del muelle de equilibrado.
- Desenrosque el perno que ancla el muelle al muelle de equilibrado (M3BAR - M5BAR - M7BAR: fig. 6 - fase c; L9BAR: fig. 7 - fase b).
- (M3BAR - M5BAR) Desenganche la grapa que ancla el muelle a la placa perforada, ubicada a los pies del accionador de barrera (fig. 6 - fase d).  
– (M7BAR - L9BAR) Desenganche el perno que ancla el muelle a la placa perforada, ubicada a los pies del accionador de barrera (fig. 7 - fase c).
- Si desea configurar la maniobra de cierre del mástil en el lado derecho del accionador de barrera, desbloquee el motorreductor (fig. 8 - se remite también al párrafo 3.6) y rote en 90° el muelle de equilibrado (fig. 9).
- Con ayuda de la Tabla 4, determine los nuevos orificios en los que enganchar los dos extremos del muelle.
- (M3BAR - M5BAR) Enganche la grapa del muelle a la placa perforada, ubicada a los pies del accionador de barrera (fig. 10 - fase a); a continuación, fije el ojal del muelle al muelle de equilibrado, apretando a fondo el perno (fig. 10 - fase b).  
– (M7BAR - L9BAR) Fije el ojal superior del muelle al muelle de equilibrado, apretando a fondo el perno (fig. 11 - fase a); fije el ojal inferior del muelle a la placa perforada ubicada a los pies del accionador de barrera, apretando a fondo el perno (fig. 11 - fase b).
- Si en el punto 06 se desbloqueó el motorreductor, bloquéelo de nuevo (fig. 12), remitiéndose al párrafo 3.6.

TABLA 3 - Características técnicas de los cables eléctricos (fig.1)

Conexión	Tipo de cable	Longitud máxima admitida
A: cable de alimentación de red	3 x 1,5 mm <sup>2</sup>	30 m (nota 1)
B: cable BlueBus	2 x 0,5 mm <sup>2</sup>	20 m (nota 2)
C: cable selector de llave	2 cables 2 x 0,25 mm <sup>2</sup> (nota 3)	30 m
Cable de entrada Open	2 x 0,25 mm <sup>2</sup>	30 m
Cable de entrada Close	2 x 0,25 mm <sup>2</sup>	30 m
Cable luz intermitente (nota 4)	2 x 0,5 mm <sup>2</sup>	30 m
con antena	Blindado tipo RG58	15 m (aconsejado menos de 5 m)
Cable de indicador de mástil abierto (nota 4)	2 x 0,5 mm <sup>2</sup>	30 m
Luces del mástil (nota 4)	–	–
Cable del bucle detector	1 x 1,5 mm <sup>2</sup> trenzado (nota 5)	20 m trenzado (nota 5)
Cable Master/Slave	3 x 0,5 mm <sup>2</sup>	20 m

**¡ATENCIÓN!** – Los cables utilizados deben adaptarse al tipo de entorno en que se realiza la instalación.

**Nota 1** – Si el cable de alimentación midiera más de 30 m, tendrá que utilizar un cable de sección más grande (3x2,5 mm<sup>2</sup>) y habrá que instalar una puesta a tierra de seguridad cerca del sistema de automatización.

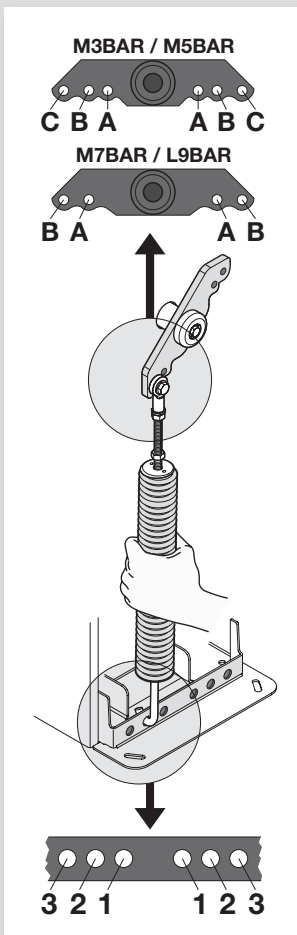
**Nota 2** – Si el cable BlueBus midiera más de 20 m, hasta un máximo de 40 m, habrá que utilizar un cable de sección más grande (2x1 mm<sup>2</sup>).

**Nota 3** – Estos 2 cables se pueden sustituir por 1 único cable de 4x0,5 mm<sup>2</sup>

**Nota 4** – Antes de realizar la conexión, compruebe que la salida esté programada en función del dispositivo que se vaya a conectar (véase el apartado 6.2 de la Tabla 8).

**Nota 5** – Trencen los dos extremos salientes de la espira al menos 20 vueltas por metro.

**TABLA 4**



A	M3BAR		M5BAR			M7BAR	L9BAR
	2,65 m XBA15 (3,15 m) - 0,50 m	3,15 m XBA15 (3,15 m)	3,50 m XBA14 (4,15 m) - 0,65 m	4,15 m XBA14 (4,15 m)	5,15 m XBA5 (5,15 m)	7,33 m XBA15 + XBA14	9,33 m XBA14 + XBA5
XBA13	A 1	A 3	B 2	B 3	C 2	B 2	B 1
XBA13	A 1	A 3	B 2	B 3	C 2	B 2	B 1
XBA11	B 3	B 3	C 1	C 3			

B	M5BAR		M7BAR		L9BAR		
	3,50 m XBA14 (4,15 m) - 0,65 m	4,15 m XBA14 (4,15 m)	5,15 m XBA5 (5,15 m)	5,00 m XBA15+XBA15 (6,30 m) - 1,30 m	6,33 m XBA15 + XBA15	7,33 m XBA15 + XBA14	8,33 m XBA14 + XBA14
XBA13	(0)	(0)	(0)	(0)	(0)	(0)	(0)
XBA13	(1)	(1)	(1)	(1)	(1)	(1)	(1)
WA13	(1)	(1)	(2)	(1)	(1)	(2)	(2)
WA12	(5)	(4)	(4)	(3)	(3)	(3)	(3)

1) - Sume los números entre paréntesis en la columna, seleccionando sólo aquellos que coincidan con los accesorios instalados.

2) - A continuación, utilice el resultado de la suma para determinar los agujeros de fijación del muelle.

0 ÷ 1 =	B 2	0 ÷ 1 =	B 3	0 ÷ 2 =	A 2	0 ÷ 2 =	B 1	0 ÷ 2 =	B 1	0 ÷ 2 =	A 1	0 ÷ 2 =	A 3
2 ÷ 7 =	B 3	2 ÷ 4 =	C 1	3 ÷ 5 =	A 2	3 ÷ 5 =	B 2	3 ÷ 5 =	B 2	3 ÷ 4 =	A 2	3 ÷ 6 =	B 1
		5 ÷ 6 =	C 2	6 ÷ 7 =	A 3					5 ÷ 6 =	A 3		

**3.4 - Fijación del accionador de barrera**

**3.4.1 - Si la superficie de apoyo existe**

- Abra el armario del accionador de la barrera (fig. 13).
- Apoye el accionador de la barrera sobre la superficie de fijación y trace los puntos en los que se vayan a fijar las ranuras (fig. 14).
- Desplace el accionador de barrera y taladre la superficie en los puntos que acaba de trazar; a continuación, introduzca 4 anclajes de expansión, no suministrados (fig. 15).
- Coloque correctamente el accionador de barrera y bloquéelo con las tuercas y arandelas correspondientes, no suministradas (fig. 16).

**3.4.2 - Si la superficie de apoyo no existe**

- Realice el pozo (\*) para colocar la placa de cimentación.
- Prepare las canaletas para pasar los cables eléctricos (fig. 17).
- Fije las 4 grapas en la placa de cimentación, colocando en cada una de ellas una tuerca en la parte superior y otra en la parte inferior de la placa (fig. 17). **Atención** - La tuerca inferior debe estar enroscada hasta el final de la parte roscada.
- Cuele el hormigón y antes de que empiece a fraguar, sumerja la placa de cimentación y colóquela a ras de la superficie, paralela al mástil y perfectamente nivelada (fig. 17). Espere a que el hormigón fragüe completamente; por lo general, hay que esperar 2 semanas.
- Quite las 4 tuercas superiores de las grapas.
- Abra el armario del accionador de la barrera (fig. 18).
- Coloque correctamente el accionador de barrera y bloquéelo con las tuercas y arandelas correspondientes, suministradas junto con la placa de cimentación y que se han quitado en el punto 04 (fig. 19).

(\*) Nota - La superficie de fijación debe estar perfectamente plana y lijada. Si la superficie es de hormigón, deberá tener un espesor de al menos 0,15 m y deberá estar reforzado con jaulas de hierro. El volumen del hormigón debe ser

superior a 0,2 m<sup>3</sup> (un espesor de 0,25 m corresponde a 0,8 m<sup>2</sup>; es decir, a una base cuadrada de 0,9 m por lado aproximadamente). La fijación sobre el hormigón puede hacerse con 4 anclajes de expansión equipados con tornillos 12 MA que resistan a una carga de tracción de al menos 400 kg. Si la superficie de fijación es de otro material, habrá que evaluar la consistencia y comprobar que los 4 puntos de anclaje puedan resistir a una carga de al menos 1.000 kg. Para la fijación utilice tornillos 12 MA.

**3.5 - Instalacion del mástil y de los accesorios previstos**

**3.5.1 - Ensamblaje del soporte para el mástil**

- Introduzca los 2 pasadores en los alojamientos presentes en el eje del motor de salida (fig. 20).
- Coloque el soporte en el eje del motor de salida, orientándolo en la posición de "mástil vertical" y fíjelo con los tornillos y arandelas abiertas; a continuación, apriete con fuerza (fig. 21).
- Coloque la cubierta del mástil y fíjela **parcialmente** con los 6 tornillos suministrados (fig. 22).

**3.5.2 - Ensamblaje del mástil formado por una única pieza, entera o cortada.**

Longitudes posibles:

- M3BAR:** 2,65 m = XBA15 (3,15 m - 0,50 m = 2,65 m)  
3,15 m = XBA15 (3,15 m)
- M5BAR:** 3,50 m = XBA14 (4,15 m - 0,65 m = 3,50 m)  
4,15 m = XBA14 (4,15 m)  
5,15 m = XBA5 (5,15 m)
- M7BAR:** 5,15 m = XBA5 (5,15 m)

- Ensamble los dos acoplamientos del mástil (fig. 23).
- Introduzca, desde el mismo extremo del mástil, los acoplamientos que

acaba de ensamblar. Utilice un martillo de goma (fig. 24).

03. Lubrique ligeramente con aceite ambos lados de la guía de aluminio (fig. 25).
04. Siga este paso para ambos lados del mástil: introduzca el primer trozo de goma paragolpes en la ranura hasta que llegue al final del mástil; a continuación, introduzca la unión para goma paragolpes (fig. 26) y repita la operación con los demás trozos.
05. La goma paragolpes puede sobresalir 1 cm aproximadamente del extremo del perfil (fig. 27):
  - A) Coloque el tapón del mástil y bloquéelo con los 2 tornillos (fig. 28).
  - B) Coloque y encaje los dos tapones que cubren la goma (fig. 28).
06. Introduzca hasta el tope el mástil completo en el interior de la carcasa de soporte del mástil y enrosque con fuerza los 4 tornillos del soporte que antes había colocado (fig. 29).

### 3.5.3 - Ensamblaje del mástil formado por dos piezas, enteras o cortadas.

Longitudes posibles:

- M7BAR:** 5,00 m = XBA15 (3,15 m -1,30m = 1,85\*) + XBA15 (3,15 m)  
 6,33 m = XBA15 (3,15 m) + XBA15 (3,15 m)  
 7,33 m = XBA15 (3,15 m\*) + XBA14 (4,15 m)  
**L9BAR:** 7,33 m = XBA15 (3,15 m\*) + XBA14 (4,15 m)  
 8,33 m = XBA14 (4,15 m) + XBA14 (4,15 m)  
 9,33 m = XBA14 (4,15 m\*) + XBA5 (5,15 m)

**(\*) - ¡ATENCIÓN! - En los mástiles formados por dos piezas, es obligatorio fijar al soporte de aluminio la pieza del mástil más corto. Por tanto modifique el punto 02 del procedimiento del siguiente modo:**

01. Mod. M3BAR - M5BAR - M7BAR: coloque el acoplamiento de aluminio en un extremo del mástil más corto y bloquéelo con el tornillo en dotación (fig. 23).
02. Mod. L9BAR: coloque el acoplamiento de aluminio en un extremo del mástil más corto y bloquéelo con el tornillo en dotación (fig. 24).
03. Introduzca la unión universal en el extremo libre de los dos mástiles. Preste atención para que la unión tenga la orientación correcta, ya que, la cabeza de los tornillos debe estar en la misma parte de los orificios que se encuentran en los mástiles (fig. 30).
04. Manipule los tres tornillos de la unión de forma equitativa, desenroscándolos de forma que la unión se "extienda" hacia el interior de los mástiles (fig. 31).
05. Lubrique ligeramente con aceite ambos lados de la guía de aluminio (fig. 25).
06. Siga este paso para ambos lados del mástil: introduzca el primer trozo de goma paragolpes en la ranura hasta que llegue al final del mástil; a continuación, introduzca la unión para goma paragolpes (fig. 26) y repita la operación con los demás trozos.
07. La goma paragolpes puede sobresalir 1 cm aproximadamente del extremo del perfil (fig. 27):
  - A) Coloque el tapón del mástil y bloquéelo con los 2 tornillos (fig. 28).
  - B) Coloque y encaje los dos tapones que cubren la goma (fig. 28).
08. Introduzca hasta el tope el mástil completo en el interior de la carcasa de soporte del mástil y enrosque con fuerza los 6 tornillos del soporte que ha introducido anteriormente (fig. 29).

### 3.5.4 - Instalación de los accesorios previstos para el mástil

Tras haber instalado el mástil y la goma paragolpes, antes de proceder ulteriormente es importante instalar en el mástil otros accesorios, si así está previsto. Para la instalación de los mismos remítase a sus correspondientes manuales de instrucciones.

### 3.6 - Desbloqueo y bloqueo manual del accionador de barrera

Esta operación debe realizarse en el caso de corte de la energía eléctrica o de desperfectos de funcionamiento.

Para desbloquear o bloquear manualmente el accionador de barrera, introduzca la llave suministrada y gírela 180° a la derecha o a la izquierda (fig. 32).

**¡IMPORTANTE! • Las operaciones de desbloqueo y bloqueo deben accionarse sólo cuando el mástil esté detenido y en posición horizontal. • Se puede realizar el bloqueo y desbloqueo manual en ambos lados del accionador de barrera; para ello, es necesario desplazar el cilindro de cerradura (véase el apartado 3.6.1).**

#### 3.6.1 - Cómo desplazar el cilindro de cerradura para el bloqueo y el desbloqueo manual

01. Introduzca la llave suministrada y gírela 180° hacia la derecha (fig. 33-a);
02. Desde el interior del cajón, tire hacia abajo del clip en "U" que bloquea el cilindro de cerradura (fig. 33-b) y, en el exterior del cajón, suelte el cilindro (fig. 33-c);
03. En el otro lado del cajón, extraiga el tapón de plástico (fig. 34-a) e introduzca el cilindro de cerradura en el orificio habilitado (fig. 34-b);
04. Por último, desde el interior del cajón, introduzca el clip en "U" de abajo a arriba para bloquear el cilindro de cerradura (fig. 34-c).

### 3.7 - Regulación de los topes mecánicos

01. Desbloquee manualmente el motorreductor: véase el apartado 3.6.
02. Mueva el mástil manualmente de forma que el mástil ejecute una maniobra completa de apertura y cierre.
03. A continuación, utilice los tornillos de los topes mecánicos (fig. 35 y 36) para regular el equipo horizontal del mástil, si está cerrado, y el equipo vertical del mástil, si está abierto.
04. Por último, apriete bien las tuercas.

### 3.8 - Equilibrado del mástil

La operación de equilibrado del mástil sirve para encontrar el mejor equilibrio entre el peso total del mástil, el conjunto de los accesorios instalados y la fuerza contrapuesta a la tensión del muelle de equilibrado. Para comprobar si la tensión del muelle es óptima o no al sopesar el peso ejercido por el mástil y sus accesorios eventuales, proceda del siguiente modo.

#### 3.8.1 - Equilibrio del mástil M3BAR / M5BAR / M7BAR

01. Desbloquee manualmente el motorreductor: véase el apartado 3.6.
02. Coloque manualmente el mástil casi a la mitad de su recorrido (45°) y déjelo inmovilizado. Si el mástil tiende a subir, es necesario reducir la tensión del muelle rotándolo manualmente hacia la derecha (fig. 37-a). Por el contrario, si el mástil tiende a descender es necesario incrementar la tensión del muelle girándolo de forma manual en sentido contrario a las agujas del reloj (fig. 37-b). Nota - El valor del desequilibrado es aceptable cuando la fuerza necesaria para mover el mástil\* en posición de apertura, cierre o en todas las demás posiciones es menor o igual a la mitad del valor nominal (equivalente a, aproximadamente, 1,5 kg para M3; 3,5 kg para M5 y 4,5 kg para M7 a 1 m). [(\*) Fuerza medida de forma perpendicular al mástil y a 1 m del eje de rotación].
03. Repita el punto 02 colocando el mástil también a 20° y a 70° aproximadamente. Si el mástil queda inmóvil en dicha posición, significa que su equilibrado es correcto; se admite un ligero desequilibrio, **pero el mástil jamás debe moverse mucho.**
04. Bloquee el muelle de equilibrado con la tuerca (fig. 37-c).
05. Bloquee el motorreductor: véase el apartado 3.6.

#### 3.8.2 - Equilibrado del mástil L9BAR

01. Desbloquee manualmente el motorreductor: véase el apartado 3.6.
02. Coloque manualmente el mástil casi a la mitad de su recorrido (45°) y déjelo inmovilizado. Si el mástil tiende a subir, es necesario reducir la tensión del muelle girando la tuerca en el sentido de las agujas del reloj (fig. 38-a). Por el contrario, si el mástil tiende a bajar, es necesario aumentar la tensión del muelle girando la tuerca en sentido contrario a las agujas del reloj (fig. 38-b). Nota - El valor del desequilibrado es aceptable cuando la fuerza necesaria para mover el mástil\* en posición de apertura, cierre o en todas las demás posiciones es menor o igual a la mitad del par nominal (para este producto, aproximadamente 6,5 kg a 1 m). [(\*) Fuerza medida de forma perpendicular al mástil y a 1 m del eje de rotación].
03. Bloquee el motorreductor: véase el apartado 3.6.

## 4 CONEXIONES ELÉCTRICAS

**¡ATENCIÓN! - Las conexiones deben efectuarse con la alimentación eléctrica desactivada.**

01. Retire la tapa; para ello, desenrosque los tornillos y gire la llave hacia la derecha (fig. 39).
02. Pase los cables eléctricos en el interior del accionador de barrera, partiendo desde la base hacia la central de mando y después dirigiéndolos hacia el lado izquierdo de esta última. Sin embargo, los cables de las espiras magnéticas (bucle detector) y para la modalidad "Master-Slave" deben pasarse por el lado derecho.
03. Pase el cable de alimentación a través del pasacables y conecte el borne de 3 contactos con el fusible. Apriete el pasacables apretando el tornillo para ello (fig. 40).
04. Realice las conexiones de los demás cables; para ello, remítase al esquema eléctrico de la fig. 41. Nota - Para facilitar las conexiones de los cables, es posible quitar los bornes de sus alojamientos.

### 4.1 - Descripción de las conexiones eléctricas

- **LIGHT** = esta salida es programable (véase el capítulo 6, apartado 6.2 - Programación de segundo nivel - parámetros regulables) y se utiliza para conectar uno de los siguientes dispositivos:

- **Luz intermitente:** si está programada como "luz intermitente" en la salida "LIGHT", se puede conectar una luz intermitente NICE "LUCY B, MLB o ML-BT" con una bombilla de 12 V a 21 W de tipo para automóvil. Durante el movimiento, parpadea con una frecuencia de 0,5 s encendida y 0,5 s apagada. Configuración de fábrica: configuración para el funcionamiento

- **"indicador mástil abierto" - "activo con mástil cerrado" - "activo con mástil abierto" - "intermitente para luces mástil" e "indicador de mantenimiento":** si estuviera programada con una de estas 5 funciones, en la salida "LIGHT" se podrá conectar un indicador de 24 V máx. a 10 W para las siguientes señales:

#### Función "indicador mástil abierto"

Mástil cerrado: apagado

Mástil abriéndose: intermitente lento

Mástil cerrándose: intermitente rápido

Mástil abierto (no cerrado): encendido

#### Función "activo con mástil cerrado"

Mástil cerrado: encendido

En los demás casos: apagado

### **Función “activo con mástil abierto”**

Mástil abierto: encendido

En los demás casos: apagado

### **Función “intermitente para luces mástil”**

El indicador o las luces del mástil indican la ejecución del movimiento mediante parpadeos con una frecuencia regular (0,5 segundos encendido; 0,5 segundos apagado).

### **Función “indicador de mantenimiento”**

- Indicador encendido durante 2 s al comienzo del movimiento de apertura = número de movimientos inferior al 80%

- Indicador intermitente durante la ejecución de todo el movimiento = número de movimientos entre el 80 y el 100%

- Indicador siempre intermitente = número de movimientos superior al 100%.

– **Ventosa:** es posible conectar una ventosa de 24V máx. 10 W (versiones sólo con electroimán, sin dispositivos electrónicos). Cuando el mástil está cerrado, la ventosa se activa y bloquea el mástil. Durante la Apertura o el Cierre la salida se desactiva.

– **Electrobloqueo:** es posible conectar un electrobloqueo con enganche de 24V máx. 10W (versiones sólo con electroimán, sin dispositivos electrónicos). Durante la Apertura, el electrobloqueo se activa y queda activo para liberar el mástil y así realizar el movimiento. Durante el Cierre hay que controlar que el electrobloqueo se enganche mecánicamente.

– **Electrocerradura:** es posible conectar una electrocerradura con enganche de 24V máx. 10W (versiones sólo con electroimán, sin dispositivos electrónicos). Al comienzo del movimiento de Apertura la electrocerradura se activa durante un breve período para liberar el mástil y realizar el movimiento. Durante el Cierre hay que controlar que la electrocerradura se enganche mecánicamente.

• **FLASH** = esta salida se puede programar con el programador Oview. Es posible conectar los mismos dispositivos de la salida LIGHT. Esta salida viene configurada de fábrica para el funcionamiento con luz intermitente de 12 V a 21 W.

• **S.C.A.** = esta salida se puede programar con el programador Oview. Es posible conectar los mismos dispositivos de la salida LIGHT. Esta salida viene configurada de fábrica para el funcionamiento con indicador mástil abierto de 24 V a 10 W.

• **BLUEBUS** = su questo morsetto si possono collegare i dispositivi compatibili; tutti vengono collegati in parallelo con soli due conduttori sui quali transita sia l'alimentazione elettrica che i segnali di comunicazione. Per approfondimenti vedere capitolo 8.

• **STOP** = entrada para los dispositivos que bloquean o detienen el movimiento que se está ejecutando; con soluciones oportunas, en la entrada se pueden conectar contactos tipo “Normalmente Cerrado”, “Normalmente Abierto”, dispositivos de resistencia constante u ópticos. Para obtener información adicional, véase el capítulo 8.

• **PP** = entrada para dispositivos que controlan el movimiento; es posible conectar contactos tipo “Normalmente Abierto”.

• **OPEN** = entrada para dispositivos que accionan el movimiento de apertura sola; es posible conectar contactos tipo “Normalmente Abierto”.

• **CLOSE** = entrada para dispositivos que accionan el movimiento de cierre sola; es posible conectar contactos tipo “Normalmente Abierto”.

• **ANTENA** = entrada de conexión de la antena para el receptor (la antena está incorporada en LUCY B, MBL o MLBT).

• **SALIDA DE TARJETA A LED** = esta salida se puede programar [véase el capítulo 6, apartado 6.2; Programación de segundo nivel (parámetros regulables)] y se utiliza para conectar la tarjeta con luz led intermitente (XBA7), o bien la tarjeta con luz de semáforo a led (XBA8). Con la configuración de fábrica, ejecuta la función de luz intermitente con una frecuencia de 0,5 s encendida y 0,5 s apagada. Además, también se activan los parpadeos de diagnóstico.

• **BUCLE1** = entrada del bucle detector para conectar una espira magnética para la detección de masas metálicas. Las modalidades de funcionamiento asociadas con esta entrada se pueden modificar con el programador Oview (véase el apartado 7.5 – Bucle detector). Configuración de fábrica: configuración para el movimiento de apertura.

• **BUCLE2** = entrada del bucle detector para conectar una espira magnética para la detección de masas metálicas. Las modalidades de funcionamiento asociadas con esta entrada se pueden modificar con el programador Oview (véase el apartado 7.5 – Bucle detector). Configuración de fábrica: configuración para el movimiento de apertura.

• **MASTER-SLAVE** = conector para la conexión de 2 barreras con la modalidad Master-Slave (véase el apartado 7.6 – Master-Slave).

**¡IMPORTANTE! – NO CONECTE DISPOSITIVOS DISTINTOS A LOS PREVISTOS.**

## **4.2 - Primer encendido y control de las conexiones**

**¡ATENCIÓN! – La conexión definitiva del sistema de automatización a la red eléctrica debe llevarla a cabo únicamente un técnico cualificado y experto, que respete las normas de seguridad locales vigentes.**

Conecte la central de mando a una línea de alimentación eléctrica equipada de puesta a tierra de seguridad. Instale un dispositivo de desconexión de la red con una distancia de apertura de los contactos que asegure la desconexión completa en las condiciones de la categoría de sobretensión III, o instale un sistema de toma y enchufe.

Después de haber conectado la energía eléctrica a la central de mando, lleve a cabo los siguientes controles:

• Compruebe que el led Bluebus parpadee rápidamente durante algunos segundos y, a continuación, que parpadee regularmente con una frecuencia de 1 parpadeo por segundo.

• Si estuvieran montadas las fotocélulas, compruebe que sus leds parpadeen (tanto en TX como en RX); no es importante el tipo de parpadeo porque depende de otros factores.

• Compruebe que el dispositivo conectado a la salida FLASH o bien a la luz led intermitente XBA7 esté apagado (con la configuración de fábrica).

De no ser así, habrá que cortar la energía eléctrica de la central y controlar mejor las conexiones eléctricas realizadas.

Es posible encontrar información adicional sobre la búsqueda y el diagnóstico de las averías en el capítulo 8 “Cómo proceder si... (orientación para la solución de problemas)”.

## **4.3 - Funciones preconfiguradas**

La central de mando incorpora una serie de funciones programables que se configuran en fábrica con los valores utilizados comúnmente. Dichos valores se pueden cambiar en cualquier momento; a tal fin, véase el capítulo 6.

## **4.4 - Aprendizaje de los dispositivos conectados**

Después de haber realizado el primer encendido, es necesario que la central reconozca los dispositivos conectados en las entradas “Bluebus” y “Stop”.

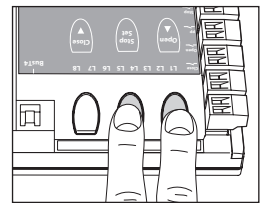
**¡ATENCIÓN! – El aprendizaje debe hacerse incluso si no hubiera ningún dispositivo conectado a la central.**

Para indicar que es necesario realizar esta operación, los leds “L1” y “L2”, presentes en la central, destellan simultáneamente.

**01.** Mantenga pulsados simultáneamente los botones “Open” y “Set”.

**02.** Suelte los botones cuando los leds “L1” y “L2” comiencen a parpadear rápidamente (después de unos 3 segundos).

**03.** Espere algunos segundos para que la central complete la fase de aprendizaje de los dispositivos. Al final de esta fase, el led “Stop” deberá estar encendido y los leds “L1” y “L2” se deberán apagar (los leds “L3” y “L4” podrían comenzar a parpadear para indicar que las cotas no se han memorizado).



Este procedimiento debe repetirse cuando se modifican los dispositivos conectados a los bornes BlueBus y Stop, por ejemplo, después de haber conectado un nuevo dispositivo a la central.

## **4.5 - Aprendizaje de las posiciones de Apertura y Cierre**

Después de haber memorizado los dispositivos conectados, es necesario que la central memorice también las posiciones de los topes mecánicos. En esta fase se detecta el valor de la carrera del mástil, que es medida por el tope mecánico de cierre y el de apertura.

**01.** Desbloquee manualmente el motorreductor (véase el capítulo 3.6) y colóque, siempre manualmente, el mástil a unos 45° (mitad del recorrido).

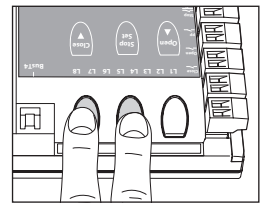
**02.** Bloquee el motorreductor (véase el apartado 3.6).

**03.** Mantenga pulsados simultáneamente los botones “Close” y “Set”.

**04.** Suelte los botones cuando comience el movimiento (después de unos 3 segundos).

**05.** Espere que la central ejecute la fase de aprendizaje: cierre, apertura y cierre del mástil, con intervalos de pausa de 3 segundos.

**Advertencia** • No interrumpa la ejecución de las tres maniobras: si esto sucede, será necesario repetir todo el procedimiento desde el punto 01. • Durante la ejecución de las tres maniobras, hay que asegurarse de que el muelle de equilibrado del mástil impacte contra los topes mecánicos. Si esto no sucede, detenga el procedimiento, regule los topes mecánicos y repita el procedimiento desde el punto 01. • Si al completar las tres maniobras, los led “L3” y “L4” parpadean, significa que se ha verificado la existencia de un error. A continuación, repita todo el procedimiento desde el punto 01.



**¡IMPORTANTE! – Los parámetros relacionados con las posiciones de ralentización y la intensidad de frenado son funciones preconfiguradas en la central. No obstante, se pueden modificar directamente desde la central, modificando los parámetros “L5 Ralentización larga/corta” (véase la Tabla 6, apartado 6.1) y “L8 Frenado” (véase la Tabla 8, apartado 6.2), o a través del programador Oview.**

## **4.6 - Control del movimiento del mástil**

Después de haber completado la fase de aprendizaje de los dispositivos, es aconsejable realizar algunos movimientos de apertura y cierre para verificar el movimiento correcto del mástil.

**01.** Pulse el botón “Open” para accionar un movimiento de apertura; asegú-

rese de que el mástil comience a ralentizarse antes de alcanzar la posición de apertura.

02. Pulse el botón "Close" para accionar un movimiento de cierre; asegúrese de que el mástil comience a ralentizarse antes de alcanzar la posición de ralentización programada para el cierre.
03. Durante el movimiento, compruebe que la luz led intermitente, en caso de estar incorporada, parpadee a intervalos de 0,5 segundos encendida y de 0,5 segundos apagada).
04. Realice varios movimientos de apertura y cierre para comprobar que no hay puntos de fricción ni anomalías de funcionamiento.

**ATENCIÓN** – Si el movimiento comenzara desde una posición que no es aquella de uno de los topes mecánicos (apertura o cierre), se llevará a cabo a velocidad lenta.

#### 4.7 - Conexión de un receptor de radio

La central de mando incorpora un conector tipo SM para la conexión de un receptor (accesorio opcional) modelo SMXI, SMXIS, OXI u OXIT y similares. Para conectar el receptor, corte la alimentación eléctrica de la central y conecte el receptor tal como se ilustra en la **fig. 42**.

En la **Tabla 5**, se indican las acciones ejecutadas por la central de acuerdo con las salidas activadas o con los mandos enviados por el receptor.

**TABLA 5**

Receptores SMXI, SMXIS	
salida	descripción
Salida N°1	Paso a Paso
Salida N°2	Abrir parcial (abre el 45% aprox.; valor programable con Oview, véase el apartado 4.10.1)
Salida N°3	Abrir
Salida N°4	Cerrar
Receptores SMXI, SMXIS, OXI y OXIT en modo I o II	
mando	descripción
Mando n°1	Paso a Paso
Mando n°2	Abrir parcial (abre el 45% aprox.; valor programable con Oview, véase el apartado 4.10.1)
Mando n°3	Abrir
Mando n°4	Cerrar
Mando n°5	Stop
Mando n°6	Paso a Paso Comunitario
Mando n°7	Paso a Paso prioridad alta (acciona incluso si el automatismo está bloqueado)
Mando n°8	Desbloquear + Abrir
Mando n°9	Desbloquear + Cerrar
Mando n°10	Abrir y Bloquear automatismo
Mando n°11	Cerrar y Bloquear automatismo
Mando n°12	Bloquear automatismo
Mando n°13	Desbloquear automatismo
Mando n°14	Paso a Paso mástil Master
Mando n°15	Paso a Paso mástil Slave

#### 4.8 - Conexión de las luces del mástil (accesorio opcional)

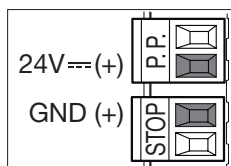
01. Coloque el mástil en posición vertical.
02. Desenrosque los 6 tornillos que fijan la cubierta del mástil (**fig. 43**).
03. Quite momentáneamente el mástil.
04. Introduzca el pasacables a través del orificio habilitado para pasar los cables (**fig. 44**).
05. Conecte el cable de las luces en el interior de la goma paracolpes; de ser necesario, utilice una sonda para facilitar la conexión (**fig. 45**).
06. Si fuera necesario, acorte la longitud del cable de las luces: el corte se puede hacer en uno de los puntos indicados por las marcas. Después del corte, es necesario desplazar el tapón en el extremo cortado para tapar el nuevo extremo.
07. Introduzca el cable primero a través del agujero presente en el soporte del mástil y, posteriormente, a través del orificio presente en el armario (**fig. 46**). **Atención** – Deje un poco de cable dentro del soporte para que el mástil pueda girar 90° sin tensar el cable.
08. Conecte el cable de las luces al borne LIGHT de la central de mando: véase el esquema de la **fig. 47**. **Nota** – La salida LIGHT tiene polaridad: si las luces no se encienden según lo programado, es necesario invertir los cables conectados a los bornes.
09. Coloque y bloquee el conector en el interior de la ranura del mástil (**fig. 48**).
10. Introduzca el mástil y bloquéelo con su cubierta; enroscando con fuerza los 6 tornillos (**fig. 49**) y teniendo cuidado de no pellizcar el cable.

#### 4.9 - Conexión de luces led intermitentes, modelo XBA7, o de luces de semáforo a led, modelo XBA8 (accesorios opcionales)

En la tapa del accionador de barrera se puede introducir una luz led intermitente modelo XBA7 o bien una luz de semáforo a led roja y verde modelo XBA8. La modalidad de funcionamiento de estas luces intermitentes se puede modificar con el programador Oview, o bien con las programaciones oportunas de la central de mando. Para obtener información adicional, consulte el manual de instrucciones de los dos productos.

#### 4.10 - Conexión de otros dispositivos

Gracias a la central incorporada, es posible alimentar dispositivos externos (un receptor o la luz de iluminación del selector de llave) extrayendo la alimentación de la central de mando: según el tipo de conexión eléctrica, consulte la figura de al lado. La tensión de alimentación es de 24 V  $\approx$ , -30% +50%, con corriente máxima disponible de 100 mA.



##### 4.10.1 - Unidad de programación Oview

El uso de la unidad de programación Oview permite una gestión completa y rápida de las operaciones de instalación, mantenimiento y diagnóstico de todo el sistema de automatización. Es posible conectar Oview al accionador de barrera de paso a través del conector BusT4 que se encuentra en la central de mando.

Para acceder al conector BusT4, es necesario abrir la cubierta del accionador de barrera de paso e introducir el conector en su alojamiento (**fig. 50**).

Por lo general, Oview puede colocarse a una distancia máxima de 100 m de cable de la central; puede conectarse a varias Centrales simultáneamente (hasta 16) y puede quedar conectado durante el funcionamiento normal del sistema de automatización; para superar dichos límites, hay que seguir las advertencias mencionadas en el manual de instrucciones de Oview y en el manual del sistema Oview System Book. Si la central tuviera un receptor de la serie OXI, con el Oview es posible acceder a los parámetros de los transmisores memorizados en el mismo receptor. Para obtener información adicional, consulte el manual de instrucciones del programador Oview o la tarjeta de las funciones relativas al accionador de barrera, que también se encuentran disponibles en [www.niceforyou.com](http://www.niceforyou.com).

##### 4.10.2 - Batería compensadora mod. PS224 (accesorio)

Si faltara la corriente eléctrica, el accionador de barrera de paso está preparado para estar alimentado mediante batería compensadora modelo PS224. Para instalar y conectar la batería, proceda de la siguiente manera:

**¡Atención!** – La batería compensadora se debe conectar eléctricamente a la central de mando sólo tras haber concluido todas las fases de instalación y programación, porque la batería es una alimentación de emergencia.

01. Coloque la batería compensadora tal como se ilustra en la **fig. 51-a**.
02. **Desactive la alimentación eléctrica de red** y, posteriormente, conecte el cable al conector de la batería compensadora (**fig. 51**).
03. Active la alimentación eléctrica de red.

##### 4.10.3 - Sistema Solemyo (alimentación fotovoltaica)

El accionador de barrera está preparado para ser alimentado con el sistema de alimentación fotovoltaica "Solemyo". Para realizar la conexión a la central, es preciso utilizar la toma de 2 polos ilustrada en la **fig. 52**.

#### ¡IMPORTANTE!

- Cuando el accionador de barrera recibe alimentación a través del sistema "Solemyo", NO DEBE RECIBIR ALIMENTACIÓN de la red eléctrica al mismo tiempo.
- A causa de la limitada energía solar disponible, según el lugar de instalación y el período del año, el accionador de barrera podrá ejecutar hasta un número máximo de movimientos por día. Antes de instalar el sistema Solemyo, compruebe en su manual de instrucciones si el número máximo de movimientos posibles es compatible con el uso previsto.
- El sistema "Solemyo" puede utilizarse eficazmente sólo si en la central está activa (ON) la función "Stand by" en modalidad "Todo" (se activa sólo con el uso del programador Oview).



## 5 ENSAYO Y PUESTA EN SERVICIO

Estas son las etapas más importantes en la realización de la automatización para garantizar la seguridad máxima del sistema. El ensayo también puede utilizarse para comprobar periódicamente los dispositivos que componen la automatización. El ensayo y la puesta en servicio del automatismo deben ser realizados por personal cualificado y experto que deberá establecer los ensayos necesarios para verificar las soluciones adoptadas para los riesgos presentes, y deberá controlar que se respeten las leyes, normativas y reglamentos, especialmente todos los requisitos de la norma EN 12445 que establece los métodos de ensayo de los automatismos para puertas y barreras de paso. Todas estas operaciones deberán realizarse bajo el control del instalador responsable, es decir la persona que firmará el recuadro N° 1 de la declaración de conformidad (véase el anexo I).

Los dispositivos adicionales u opcionales deben ser sometidos a una prueba específica, tanto en lo referente al funcionamiento como a su interacción correcta con la barrera.

### 5.1 - Ensayo

La secuencia de operaciones a realizar para el ensayo se refiere a un sistema típico (fig. 1) con un tipo de uso "usuarios no preparados" y con una activación del automatismo tipo "mando automático" que prevé, al igual que el nivel mínimo de protección de la banda principal, dispositivos tipo C (limitación de las fuerzas - véase la norma EN 12445) combinados con dispositivos tipo D (detector de presencia, por ej. fotocélula). Teniendo en cuenta que este tipo de uso es uno de los más dificultosos, la misma secuencia de ensayo se puede utilizar con eficacia incluso en condiciones menos difíciles.

- 1 Controle que se hayan respetado estrictamente las indicaciones del capítulo 1 sobre las advertencias para la seguridad.
- 2 Controle que el mástil esté equilibrado correctamente, véase el apartado 3.8.
- 3 Controle el funcionamiento correcto del desbloqueo manual, véase el apartado 3.6.
- 4 Utilizando el transmisor o el selector de llave, realice algunas pruebas de apertura, cierre y parada del accionador de barrera, comprobando que el movimiento del mástil se corresponda con el previsto. Conviene hacer varios ensayos para evaluar el movimiento del mástil y comprobar los posibles defectos de montaje, regulación y la presencia de puntos de fricción.
- 5 Controle uno por uno el funcionamiento correcto de todos los dispositivos de ayuda para la seguridad presentes en el equipo (fotocélulas, bandas sensible, etc.). Cuando un dispositivo se activa, el led "BlueBus", presente en la central, emitirá 2 destellos más rápidos para confirmar que el reconocimiento se ha ejecutado.
- 6 Controle de la siguiente manera el funcionamiento correcto de las fotocélulas: si hubiera instalado uno o dos pares de fotocélulas, servirán uno o dos paralelepípedos de material rígido (por ej. paneles de madera) de 70 x 30 x 20 cm de tamaño. Cada paralelepípedo deberá tener tres lados, uno para cada medida, de material reflectante (por ej. espejo o pintura blanca brillante) y tres lados de material mate (por ej. pintados de negro mate). Para probar las fotocélulas colocadas a 50 cm del suelo, el paralelepípedo deberá apoyarse sobre el suelo o deberá estar a 50 cm para probar las fotocélulas colocadas a 1 m de altura.  
En el caso de prueba de un par de fotocélulas, el cuerpo de ensayo deberá colocarse exactamente debajo del centro del mástil con los lados de 20 cm dirigidos hacia la fotocélulas y desplazado a lo largo de toda la longitud del mástil (fig. A).

En el caso de prueba de dos pares de fotocélulas, en primer lugar, habrá que probar un par de fotocélula a la vez utilizando un cuerpo de ensayo y después repetir la operación utilizando dos cuerpos de ensayo.

Cada cuerpo de ensayo deberá colocarse en los laterales del centro del mástil, a una distancia de 15 cm, y luego deberá desplazarse a lo largo de toda la longitud del mástil (fig. B).

Durante estas pruebas, el cuerpo de ensayo deberá ser detectado por las fotocélulas en cualquier posición que se encuentre a lo largo de la longitud del mástil.

- 7 Compruebe que no haya interferencias entre las fotocélulas y otros dispositivos, interrumpiendo con un cilindro (diámetro 5 cm, longitud 30 cm) el eje óptico que une el par de fotocélulas (fig. C): primero pase el cilindro cerca de la fotocélula TX, luego cerca de la RX y, por último, por el centro, entre las dos fotocélulas. Posteriormente, asegúrese de que el dispositivo se active siempre, pasando del estado activo al de alarma y viceversa; por último, asegúrese de que en la central provoque la acción prevista (por ejemplo, la inversión en el movimiento de Cierre).
- 8 **Control de la protección contra el peligro de elevación:** en los automatismos con movimiento vertical es necesario comprobar que no existan peligros de elevación. Dicha prueba puede realizarse de la siguiente manera: cuelgue a la mitad del mástil un peso de 20 kg (por ejemplo una bolsa de arena), accione un movimiento de Apertura y compruebe que durante dicho movimiento el mástil no supere la altura de 50 cm desde su posición de cierre. Si el mástil superara dicha altura, habrá que reducir la fuerza del motor (véase el capítulo 6 - Tabla 7).
- 9 Si se han prevenido las situaciones peligrosas causadas por el movimiento del mástil limitando la fuerza de impacto, habrá que medir la fuerza de acuerdo con cuanto previsto por la norma EN 12445. Si el control de la "fuerza del motor" se utilizara como una ayuda para el sistema a fin de reducir la fuerza de impacto, pruebe y busque la regulación que dé los mejores resultados.
- 10 **Control de la eficiencia del sistema de desbloqueo:** coloque el más-

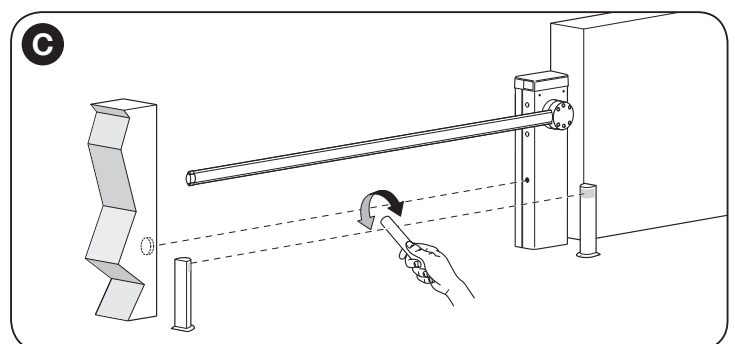
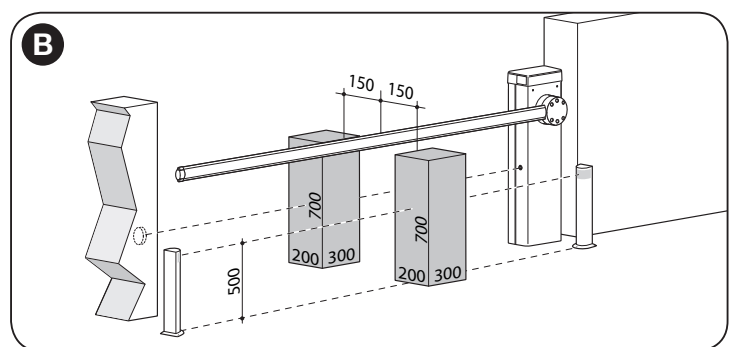
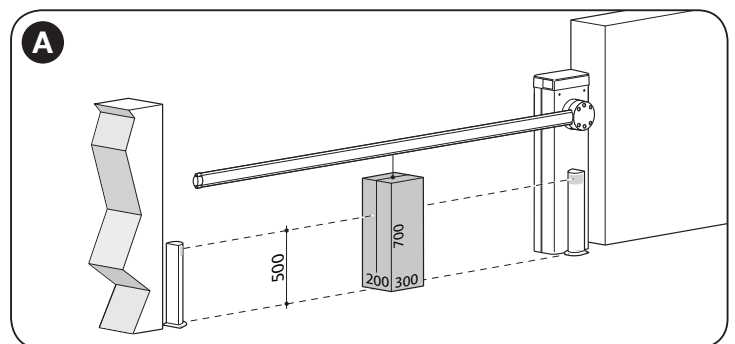
til en posición de Cierre y desbloquee manualmente el motorreductor (véase el apartado 3.6), comprobando que se efectúe sin problemas. Controle que la fuerza manual para Abrir el mástil no supere 200 N (20 kg aprox.); la fuerza se mide perpendicularmente al mástil y a 1 m del eje de rotación. Por último, compruebe que la llave que sirve para el desbloqueo manual esté disponible en el automatismo.

- 11 **Control del sistema de desconexión de la alimentación:** utilizando el dispositivo de desconexión de la alimentación y desconectando las baterías compensadoras, compruebe que todos los leds presentes en la central estén apagados y que al enviar un mando el mástil quede detenido. Controle la eficiencia del sistema de bloqueo para evitar la conexión inintencional o no autorizada.

### 5.2 - Puesta en servicio

La puesta en servicio puede llevarse a cabo sólo después de haber realizado correctamente todas las etapas de ensayo. Está prohibida la puesta en servicio o en situaciones provisionales.

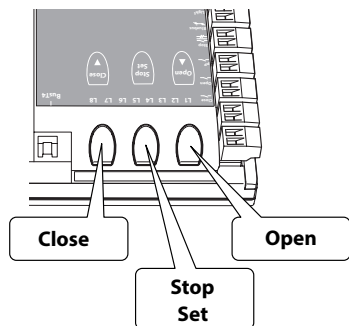
- 1 Rellene y entregue al dueño del automatismo la "Declaración de conformidad CE - Anexo I", presente al final de este manual, en la sección cortable.
- 2 Rellene y entregue al dueño del automatismo el módulo "Manual de uso", presente al final de este manual en la sección cortable.
- 3 Rellene y entregue al propietario del sistema de automatización el módulo "Plan de mantenimiento", que contiene los requisitos de mantenimiento de todos los dispositivos del sistema de automatización. En el caso del accionador de barrera, este módulo se encuentra al final de este manual, en la sección recortable.
- 4 Antes de poner en servicio el sistema de automatización, informe al propietario, según corresponda, sobre los peligros y riesgos presentes.
- 5 Fije en el accionador de barrera de manera permanente la etiqueta que se encuentra en la caja que se refiere a las operaciones de desbloqueo y bloqueo manual del motorreductor.
- 6 SÓLO para instalaciones que NO CUMPLEN los criterios indicados en el capítulo 1.3.1 del presente manual: realice el expediente técnico del sistema de automatización que deberá incluir los siguientes documentos: un dibujo del conjunto del sistema de automatización, el esquema de las conexiones eléctricas realizadas, el análisis de los riesgos presentes y las soluciones adoptadas (véanse en la página web [www.niceforyou.com](http://www.niceforyou.com) los formularios que hay que rellenar), la declaración de conformidad del fabricante de todos los dispositivos utilizados (para el accionador de barrera, véase el anexo II) y la declaración de conformidad rellenada por el instalador.  
Coloque sobre el accionador de barrera una placa que contenga al menos los siguientes datos: tipo de automatización, nombre y dirección del fabricante (responsable de la "puesta en servicio"), número de matrícula, año de fabricación y marcado "CE".



## 6 PROGRAMACIÓN DE LA CENTRAL DE MANDO

En la central de control hay 3 botones **OPEN (▲)**, **STOP (Set)**, **CLOSE (▼)** que pueden utilizarse para accionar la central durante las fases de prueba o para la programación de las funciones disponibles.

Las funciones programables disponibles están dispuestas en 2 niveles y su estado de funcionamiento está indicado por los 8 leds (**L1 ... L8**) que se encuentran en la central.



### SEÑALES LED:

- **Led encendido** = función activa;
- **Led apagado** = función no activa.

### BOTONES DE PROGRAMACIÓN:

- **OPEN (▲)**: el botón "OPEN" permite accionar la apertura del mástil, o bien puede utilizarse, durante la programación, para desplazar hacia arriba el punto de programación.

- **STOP (Set)**: el botón "STOP" permite detener el movimiento; al presionarlo durante más de 5 segundos, permite entrar en la fase de programación.

- **CLOSE (▼)**: el botón "CLOSE" permite accionar el cierre del mástil o se puede utilizar, durante la programación, para desplazar hacia abajo el punto de programación.

**¡ATENCIÓN! – Durante un movimiento (apertura o cierre), los 3 botones (▲, Set, ▼) funcionan como STOP, de forma que se para el movimiento en ejecución o la inversión del movimiento.**

### 6.1 - Programación del primer nivel (ON-OFF)

Todas las funciones del primer nivel (**Tabla 6**) vienen programadas de fábrica "OFF" y pueden modificarse en cualquier momento tal como se indica en la **Tabla 7**. Los parámetros se pueden regular en una escala de valores de 1 a 8; para comprobar el valor que corresponde a cada led, véase la **Tabla 6**.

**IMPORTANTE** – El procedimiento de programación tiene un tiempo máximo de 10 segundos a partir del momento en que se pulsa un botón y el otro. Concluido dicho tiempo, el procedimiento finaliza automáticamente memorizando las modificaciones hechas hasta ese momento.

**TABLA 6 - Funciones de primer nivel**

Led	Descripción	Ejemplo
<b>L1</b>	<b>Cierre automático</b>	Esta función realiza un cierre automático del mástil después del tiempo de pausa programado. Valor de fábrica: 20 segundos. Valor programable de 3 a 60 segundos.
<b>L2</b>	<b>Volver a cerrar después</b>	La función permite mantener el mástil en la posición de Apertura sólo durante el tiempo necesario para el tránsito de fotocélula. Cuando la función está activa, su funcionamiento varía en función del parámetro configurado en la función "Cierre automático": <ul style="list-style-type: none"> <li>• con la función "Cierre automático" <b>activa</b>, el movimiento de Apertura se detendrá inmediatamente después de que las fotocélulas queden descubiertas; transcurridos 5 segundos comenzará el movimiento de Cierre.</li> <li>• con la función "Cierre automático" <b>desactivada</b>, el mástil llegará siempre a la posición de Apertura máxima (incluso si las fotocélulas quedan descubiertas antes); transcurridos 5 segundos comenzará el movimiento de Cierre.</li> </ul>
<b>L3</b>	<b>Cerrar siempre</b>	Esta función es útil cuando se produce un corte de energía eléctrica, incluso breve. En efecto, si la función estuviera activa (ON), al volver la corriente eléctrica, la central detectará el mástil en posición de Apertura y comenzará el movimiento de Cierre que, por cuestiones de seguridad, está antecedida de 3 segundos de destello previo.
<b>L4</b>	<b>Stand by</b>	Esta función reduce el consumo. Si está activada, después de 1 minuto a partir del final de la maniobra, la central apagará los TX de las fotocélulas Bluebus y todos los led, salvo el led Bluebus, que parpadeará más lentamente. Cuando la central reciba cualquier mando, restablecerá el funcionamiento normal. <b>Para utilizar el accionador de barrera con el sistema Solemyo, es necesario activar una modalidad de "Stand by" todavía más intensa, es decir, la función "Todo en stand by". Esta operación se lleva a cabo con el programador Oview.</b>
<b>L5</b>	<b>Ralentización larga/corta</b>	Esta función permite duplicar el espacio de inicio de la ralentización, tanto durante la Apertura como durante el Cierre. Si la función no está activa, la ralentización es corta.
<b>L6</b>	<b>Punto de arranque automático</b>	Este parámetro, en caso de que esté activado (ON), permite activar el punto de arranque (salida a velocidad máxima) para poner el mástil en movimiento. El valor configurado de fábrica es "OFF".
<b>L7</b>	<b>Modo Slave</b>	Si se activa esta función, el accionador de barrera pasa al modo "Slave" (esclavo): de esta forma, es posible sincronizar el funcionamiento de 2 barreras contrapuestas en las que una funciona como Master y otra como Slave; para obtener información adicional, consulte el apartado 7.6 - Modos Master y Slave.
<b>L8</b>	<b>Dirección de rotación</b>	Este parámetro permite invertir el sentido de rotación del motor para poder instalar el accionador de barrera a la derecha; el valor configurado de fábrica es "OFF" (rotación estándar del motor: el cierre del mástil se hace hacia la izquierda). <b>Importante – Cuando se activa esta función, es necesario probar las posiciones de apertura y cierre (apartado 4.5).</b>

**TABLA 7 - Procedimiento de programación (primer nivel)**

<b>01.</b> Presione y mantenga presionado el pulsador "Set" durante unos 3 segundos;	
<b>02.</b> Suelte el pulsador cuando el led "L1" comience a destellar;	
<b>03.</b> Presione los pulsadores "▲" o "▼" para pasar del led intermitente al led que representa la función a modificar;	
<b>04.</b> Presione el pulsador "Set" para modificar el estado de la función: (destello breve = OFF - destello prolongado = ON);	
<b>05.</b> Espere 10 segundos (tiempo máximo) para salir de la programación.	
<b>Nota</b> – Para programar otras funciones en "ON" u "OFF", durante la ejecución del procedimiento hay que repetir los puntos 03 y 04 durante la misma etapa.	

### 6.2 - Programación de segundo nivel (parámetros regulables)

Todos los parámetros del segundo nivel vienen programados de fábrica (**Tabla 8**) y pueden modificarse en cualquier momento tal como se muestra en la **Tabla 9**.

Los parámetros se pueden regular en una escala de valores de 1 a 8; para comprobar el valor que corresponde a cada led, véase la **Tabla 8**.

**IMPORTANTE** – El procedimiento de programación tiene un tiempo máximo de 10 segundos a partir del momento en que se pulsa un botón y el otro. Concluido dicho tiempo, el procedimiento finaliza automáticamente memorizando las modificaciones hechas hasta ese momento.


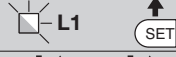






**TABLA 8 - Funciones de segundo nivel**

Led de entrada	Parámetro	Led (nivel)	Valor	Descripción
<b>L1</b>	<b>Tiempo Pausa</b>	<b>L1</b>	3 segundos	Regula el tiempo de pausa, es decir, el tiempo que transcurre entre el final de un movimiento de apertura y el inicio del cierre automático. Este parámetro es válido sólo si el cierre automático está activo.
		<b>L2</b>	5 segundos	
		<b>L3</b>	7 segundos	
		<b>L4</b>	10 segundos	
		<b>L5</b>	15 segundos	
		<b>L6</b>	20 segundos	
		<b>L7</b>	40 segundos	
		<b>L8</b>	60 segundos	
<b>L2</b>	<b>Función Paso a paso</b>	<b>L1</b>	Abrir - stop - cerrar - stop	Regula la secuencia de mandos asociados a la entrada o al mando de radio: "Paso a Paso".
		<b>L2</b>	Abrir - stop - cerrar - abrir	
		<b>L3</b>	Abrir - cerrar - abrir - cerrar	
		<b>L4</b>	Comunitario 1	
		<b>L5</b>	Comunitario 2	
		<b>L6</b>	Paso a Paso 2	
		<b>L7</b>	Hombre muerto	
		<b>L8</b>	Apertura en modo "semiautomático" y cierre en modo "hombre muerto"	
<b>L3</b>	<b>Velocidad motor</b>	<b>L1</b>	Velocidad 1 (50%)	Regula la velocidad del motor durante la carrera normal.
		<b>L2</b>	Velocidad 2 (80%)	
		<b>L3</b>	Velocidad 3 (100%)	
		<b>L4</b>	Abrir V3 y Cerrar V1	
		<b>L5</b>	Abrir V1 y Cerrar V2	
		<b>L6</b>	Abrir V2 y Cerrar V3	
		<b>L7</b>	Abrir V3 y Cerrar V2	
		<b>L8</b>	Abrir V2 y Cerrar V1	
<b>L4</b>	<b>Salida 1 LIGHT</b>	<b>L1</b>	Indicador Mástil Abierto (24 V - 10 W)	Selecciona el tipo de dispositivo conectado a la salida LIGHT. <b>¡Importante!</b> – Si se modificara la programación, asegúrese de que el tipo de tensión del nuevo dispositivo conectado al borne LIGHT corresponde al tipo de tensión del nivel de programación escogido.
		<b>L2</b>	Mástil cerrado (24 V - 10 W)	
		<b>L3</b>	Mástil abierto (24 V - 10 W)	
		<b>L4</b>	Luz intermitente (12 V - 21 W)	
		<b>L5</b>	Luz intermitente 1 (24 V - 10 W) (para luces del mástil)	
		<b>L6</b>	Electrocerradura (24 V - 10 W)	
		<b>L7</b>	Ventosa (24 V - 10 W)	
		<b>L8</b>	Indicador de mantenimiento (24 V - 10 W)	
<b>L5</b>	<b>Salida led (luces de la tapa)</b>	<b>L1</b>	Luz intermitente (solo durante el movimiento)	Selecciona la modalidad de funcionamiento del dispositivo conectado a la salida led. Las modalidades L1 y L4 están asociadas al dispositivo con luz led parpadeante. Las modalidades L5 y L8 están asociadas al dispositivo con luz de semáforo a led. <b>¡Importante!</b> – No conecte dispositivos distintos a los previstos.
		<b>L2</b>	Luz intermitente 1 (parpadea siempre)	
		<b>L3</b>	Luz de cortesía	
		<b>L4</b>	Siempre encendida	
		<b>L5</b>	Semáforo rojo	
		<b>L6</b>	Semáforo verde	
		<b>L7</b>	Semáforo de sentido único	
		<b>L8</b>	Semáforo de sentido alternado	
<b>L6</b>	<b>Fuerza motor</b>	<b>L1</b>	Fuerza 1 (baja)	Durante el movimiento, regula el sistema de control de la potencia del motor para adecuarlo al peso del mástil.
		<b>L2</b>	Fuerza 2	
		<b>L3</b>	Fuerza 3	
		<b>L4</b>	Fuerza 4	
		<b>L5</b>	Fuerza 5	
		<b>L6</b>	Fuerza 6	
		<b>L7</b>	Fuerza 7	
		<b>L8</b>	Fuerza 8 (alta)	
<b>L7</b>	<b>Sensibilidad del bucle detector</b>	<b>L1</b>	100% (máxima)	Regula la sensibilidad de detección de los objetos metálicos del circuito del bucle detector. Véase el apartado 7.5 del capítulo 7 Información adicional.
		<b>L2</b>	90%	
		<b>L3</b>	80%	
		<b>L4</b>	70%	
		<b>L5</b>	60%	
		<b>L6</b>	50%	
		<b>L7</b>	40%	
		<b>L8</b>	30% (mínima)	
<b>L8</b>	<b>Frenado</b>	<b>L1</b>	0 (ausente)	Establece la intensidad de frenado aplicada durante la fase de ralentización del movimiento.
		<b>L2</b>	1	
		<b>L3</b>	2	
		<b>L4</b>	3	
		<b>L5</b>	5	
		<b>L6</b>	6	
		<b>L7</b>	8	
		<b>L8</b>	9 (máximo)	

**ADVERTENCIAS:**

- No configure un valor muy alto de la "fuerza motor" porque podría perjudicar el funcionamiento del sistema de seguridad o averiar el mástil.
- Si el control de la "fuerza del motor" se utilizara como ayuda para el sistema para reducir la fuerza de impacto, habrá que repetir la medición de la fuerza después de cada regulación, tal como se establece en la norma EN 12445.
- El desgaste y las condiciones atmosféricas influyen sobre el movimiento del mástil; por consiguiente, compruebe periódicamente la regulación de la "fuerza del motor".

**TABLA 9 - Procedimiento de programación (segundo nivel)**

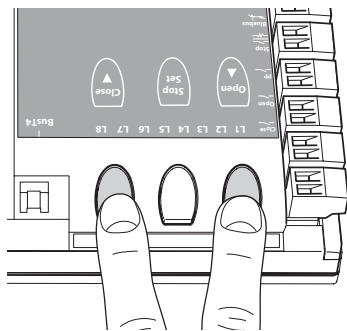
01. Presione y mantenga presionado el pulsador "Set" durante unos 3 segundos;	
02. Suelte el pulsador cuando el led "L1" comience a destellar;	
03. Presione los pulsadores "▲" o "▼" para pasar del led intermitente al led que representa la función a modificar;	
04. Presione y mantenga presionado el pulsador "Set" hasta concluir el punto 06;	
05. Espere unos 3 segundos hasta que se encienda el led que representa el nivel actual del parámetro a modificar;	
06. Presione los pulsadores "▲" o "▼" para pasar el led que representa el valor del parámetro;	
07. Suelte el pulsador "Set";	
08. Espere 10 segundos (tiempo máximo) para salir de la programación.	
<b>Nota</b> – Para programar varios parámetros, durante la ejecución del procedimiento repita las operaciones desde el punto 03 al punto 07 durante la misma etapa.	

## 7 OTRAS INFORMACIONES

### 7.1 - Borrado total de la memoria de la central de mando

En la central de mando se pueden cancelar todos los datos memorizados y colocarla en las condiciones originales con los valores de fábrica:

01. Presione y mantenga presionados simultáneamente los pulsadores "▲" y "▼";



02. (Después de unos 3 segundos) Suelte los botones cuando todos los leds se enciendan.  
 03. Cuando los leds L1 y L2 empiezan a parpadear, significa que ha concluido el procedimiento.

Nota – Con este procedimiento también es posible borrar todos los posibles errores almacenados en la memoria.

**Importante** – Este procedimiento no borra el parámetro relativo a la dirección de rotación del motor ni el número de movimientos efectuados.

### 7.2 - Otras funciones

#### • Función "Abrir siempre"

Esta función es una característica de la central de mando; está asociada a la entrada "Paso a Paso" y permite accionar siempre un movimiento de apertura si el mando Paso a Paso queda activo durante más de 3 segundos. Esta función es válida para cualquier programación de la entrada Paso a Paso (véase la "Función PP" en la **Tabla 8**).

Por ejemplo, se puede utilizar para conectar un reloj para programar la apertura permanente del accionador de barrera durante una determinada franja horaria.

#### • Función "Mover igualmente"

Si uno o varios dispositivos de seguridad no funcionaran correctamente o estuvieran fuera de uso, esta función permite igualmente accionar el accionador de barrera en modo "Hombre presente" (para más detalles véase el capítulo "manual de uso").

#### • Función "Aviso de mantenimiento"

Esta función avisa el momento en que hay que efectuar un control de mantenimiento del sistema de automatización. El parámetro "Aviso de mantenimiento" se puede regular mediante el programador Oview. El indicador del aviso de mantenimiento es la luz intermitente Flash o el indicador de mantenimiento según el tipo de programación realizada. Las señales emitidas por la luz intermitente Flash y por el indicador de mantenimiento están indicadas en la **Tabla 10**.

#### • Comprobación del número de movimientos efectuados

Para verificar el número de movimientos efectuados, es necesario contar con el programador Oview; parámetros que se pueden comprobar con la entrada "Mantenimiento".

#### • Puesta a cero del contador de movimientos

La puesta a cero del contador de movimientos debe realizarse al final de la fase de mantenimiento del sistema de automatización y, además, para ello, es necesario **desactivar** la función "Indicador de mantenimiento" relacionada con la salida LIGHT.

**Nota** – **Desconecte temporalmente el dispositivo conectado a la salida 1 LIGHT.**

Procedimiento para activar el indicador de mantenimiento (cuando ya no está activado):

01. Mantenga pulsado el botón "Set" durante 3 segundos aproximadamente.
02. Suelte el botón cuando el led "L1" empiece a parpadear.
03. Pulse los botones "▲" o "▼" para pasar al led que parpadea al led L4 (led de entrada "Salida LIGHT").
04. Mantenga pulsado el botón "Set" hasta completar el punto 07.
05. Espere unos 3 segundos aproximadamente hasta que se encienda el led de la salida programada.
06. Pulse los botones "▲" o "▼" para desplazar el led encendido en L8.
07. Suelte el botón "Set" y espere la salida para el tiempo de espera del procedimiento de programación.

Procedimiento para desactivar el indicador de mantenimiento (cuando ya está activado):

01. Mantenga pulsado el botón "Set" durante 3 segundos aproximadamente.
02. Suelte el botón cuando el led "L1" empiece a parpadear.
03. Pulse los botones "▲" o "▼" para pasar al led que parpadea al led L4 (led de entrada "Salida LIGHT").
04. Mantenga pulsado el botón "Set" hasta completar el punto 07.
05. Espere unos 3 segundos aproximadamente hasta que se encienda el led L8.

**TABLA 10**

Número de movimientos	Luz intermitente Flash	Indicador de mantenimiento
Inferior al 80% del límite	Normal (0,5 s encendido - 0,5 s apagado)	Encendido durante 2 segundos al inicio del movimiento de Apertura
Entre el 81% y el 100% del límite	Al inicio del movimiento queda encendido durante 2 s; y después continúa normalmente	Destella durante toda la duración del movimiento
Entre el 81% y el 100% del límite	Al inicio y al final del movimiento queda encendido durante 2 s, después continúa normalmente	Destella siempre

06. Pulse los botones “▲” o “▼” para desplazar el led encendido en un led distinto de L8.

07. Suelte el botón “Set” y espere la salida para el tiempo de espera del procedimiento de programación.

En este momento se ha cancelado el aviso de mantenimiento.

Nota – Vuelva a configurar la programación de la salida LIGHT con el dispositivo que se vaya a utilizar y, a continuación, vuelva a conectarlo a la salida.

### 7.3 - Añadir o quitar dispositivos

En cualquier momento es posible añadir nuevos dispositivos conectados a las entradas BlueBus y Stop, o bien quitar otros montados. Para tal fin, proceda de la siguiente manera:

01. Mantenga pulsados simultáneamente los botones “▲” y “Set”.

02. (Después de unos 3 segundos) Suelte los botones cuando los led L1 y L2 empiecen a parpadear con mucha rapidez.

03. Espere algunos segundos hasta que la central concluya la fase de aprendizaje de los dispositivos conectados.

04. Al final de esta fase, el led STOP permanece encendido, mientras los leds L1 y L2 se apagan (los leds L3 y L4 empiezan a parpadear).

Después de haber realizado este procedimiento, es necesario volver a probar el sistema de automatización tal como se indica en el capítulo 5.1.

#### 7.3.1 - Entrada Bluebus

El sistema Bluebus permite efectuar las conexiones de los dispositivos compatibles con dos conductores solos, por los cuales pasan la alimentación eléctrica y las señales de comunicación. Todos los dispositivos se conectan en modo paralelo a los mismos 2 conductores de Bluebus y sin la necesidad de respetar la polaridad. Cada dispositivo es reconocido individualmente porque, durante la instalación, a cada uno de ellos se le asigna una dirección unívoca. Al sistema Bluebus se pueden conectar fotocélulas, dispositivos de seguridad, dispositivos de mando como teclados y lectores de tarjeta por transponder, indicadores de señalización, etc. La central de control, durante la fase de aprendizaje, reconoce de forma individual todos los dispositivos conectados y también puede detectar con extrema seguridad las anomalías que puedan producirse. En efecto, cada vez que se añade o se quita un dispositivo conectado al Bluebus hay que llevar a cabo el aprendizaje tal como está descrito en el apartado 4.4.

#### 7.3.2 - Fotocélulas

El sistema Bluebus permite que la central reconozca las fotocélulas regulando la dirección de los puentes de conexión (véase la **Tabla 11**) y permite asignar el valor correcto de la función de detección de obstáculos. La operación de direccionamiento se realiza tanto en el TX (transmisor) como en el RX (receptor), colocando los puentes de conexión de la misma manera y comprobando que no haya otros pares de fotocélulas con la misma dirección.

Las fotocélulas se pueden instalar tal como se muestra en la **fig. D. Importante** – Tras instalar o extraer las fotocélulas, es necesario ejecutar la fase de aprendizaje de los dispositivos, tal como se describe en el apartado 4.4.

Se puede instalar la fotocélula en TX o RX en el interior del cajón del accionador de barrera, en el espacio habilitado para ello (**fig. 53**).

Para instalar la fotocélula, proceda como se indica a continuación:

01. Extraiga la tarjeta de la fotocélula de su propio cuadro, haciendo palanca con un destornillador de boca plana (**fig. 53-a**). ¡ATENCIÓN! - No dañe los componentes eléctricos internos.

02. Abra el cuadro habilitado para las fotocélulas que se encuentra en la caja de accesorios (**fig. 53-b**).

03. Introduzca la tarjeta en el fondo del cuadro (**fig. 53-c**).

04. Taladre la goma habilitada para pasar los cables (**fig. 53-d**).

05. Pase el cable eléctrico y conéctelo al borne de la fotocélula (**fig. 53-e**).

06. Cierre el fondo del cuadro con la tapa, pero tenga cuidado de no bloquear la goma de dicho espacio (**fig. 53-f**).

07. Enganche el cuadro sobre la lente que se encuentra en el lado del cajón, haciendo que se mueva de arriba abajo (**fig. 53-g**).

**NOTA** – Es posible conectar a la entrada Bluebus 2 fotocélulas con la función de mando “abrir FA1” y “abrir FA2” (es necesario cortar el puente A en el reverso de las tarjetas TX y RX). Al intervenir estas fotocélulas, la central manda una maniobra de apertura. Para obtener información adicional, consulte el manual de instrucciones de las fotocélulas.

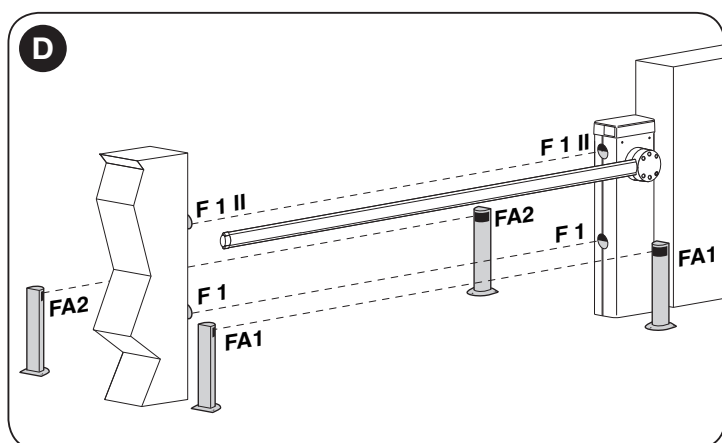


TABLA 11 - DIRECCIONES DE LAS FOTOCÉLULAS

Fotocélula	Puentes de conexión	
FOTO	Fotocélula h = 50 con accionamiento en el cierre	
FOTO II	Fotocélula h = 100 con accionamiento en el cierre	
FOTO 1	Fotocélula h = 50 con accionamiento en el cierre	
FOTO 1 II	Fotocélula h = 100 con accionamiento en el cierre	
FOTO 2	Fotocélula con accionamiento en la apertura (invierte en cierre)	
FOTO 2 II	Fotocélula con accionamiento en apertura (invierte en cierre)	
FOTO 3	Fotocélula única con accionamiento en la apertura y el cierre	
FA1	Fotocélula para el mando de apertura (cortar el puente A en el reverso de las tarjetas TX y RX)	
FA2	Fotocélula para el mando de apertura (cortar el puente A en el reverso de las tarjetas TX y RX)	

#### 7.3.3 - Selector digital MOTB y lector de proximidad para tarjetas por transponder MOMB

El sistema Bluebus permite conectar hasta 4 selectores digitales MOTB o 4 lectores de tarjetas por transponder MOMB.

Con MOTB es posible accionar el sistema de automatización pulsando sobre el teclado una de las combinaciones numéricas memorizadas.

Con MOMB es posible accionar el sistema de automatización simplemente acercando al sensor la tarjeta por transponder memorizada.

Estos dispositivos incorporan un código unívoco que es reconocido y memorizado por la central durante la fase de aprendizaje de todos los dispositivos conectados (véase el apartado 4.4).

De esta manera se evita cualquier tentativa fraudulenta de sustituir un dispositivo y ninguna persona extraña podrá accionar el sistema de automatización. Si desea obtener información adicional, consulte el manual de instrucciones de MOTB y MOMB.

#### 7.3.4 - Entrada STOP

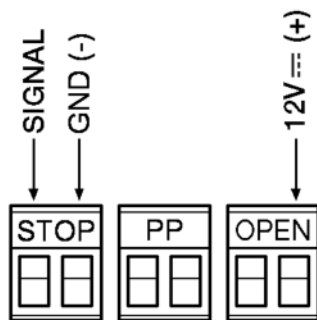
La función de la entrada STOP es provocar la parada inmediata del movimiento seguido de una breve inversión. A esta entrada se le pueden conectar dispositivos con salida de contacto normalmente abierto “NA”, normalmente cerrado “NC”, OPTO SENSOR o bien dispositivos con salida de resistencia constante de 8,2 kΩ (bandas sensibles). Durante el aprendizaje, la central reconoce el tipo de dispositivo conectado y provoca un STOP cuando se produce una variación respecto del estado memorizado. Con algunas soluciones oportunas es posible conectar varios dispositivos en la entrada STOP, incluso de diferentes tipos:

- Se pueden conectar entre sí varios dispositivos NA en paralelo sin límites de cantidad.
- Se pueden conectar entre sí varios dispositivos NC en serie sin límites de cantidad.
- Se pueden conectar en paralelo dos dispositivos con salida de resistencia constante 8,2 kΩ; si hubiera más de 2 dispositivos, entonces todos deben conectarse “en cascada” con una sola resistencia de terminación de 8,2 kΩ.
- También es posible una combinación tipo NA y NC, colocando los 2 contactos en paralelo. En este caso, es necesario conectar en serie al contacto NC una resistencia de 8,2 kΩ; lo que posibilita la combinación de 3 dispositivos: NA, NC y 8,2 kΩ.

**Atención** – Si se utilizara la entrada STOP para conectar dispositivos con funciones de seguridad, estos últimos deberán ser dispositivos con salida de resistencia constante 8,2 kΩ o dispositivos ópticos OPTO SENSOR, que garantizan un nivel de seguridad adecuado para las averías.

Para conectar un dispositivo óptico tipo OPTO SENSOR, realice las conexiones tal como se ilustra en la **fig. E**; la corriente máxima suministrada para la línea es de 12 Vcc y de 40 mA.

E



## 7.4 - Diagnóstico

Algunos dispositivos están preparados para emitir señales con las cuales se puede reconocer el estado de funcionamiento o posibles desperfectos.

### 7.4.1 - Señales de la central de mando

Los leds de los bornes y de los botones presentes en la central de mando emiten señales específicas para señalar el funcionamiento normal y probables anomalías. En las **Tablas 12 y 13** se describen la causa y la solución para cada tipo de señal.

**TABLA 12 - Leds de los bornes presentes en la central de mando**

Led Bluebus	Causa	Solución
Apagado	Desperfecto	Controle si hay alimentación; controle que los fusibles no se hayan quemado; si así fuera, compruebe la causa de la avería y sustitúyalos por otros del mismo valor.
Encendido	Desperfecto grave	Hay un desperfecto grave; pruebe a apagar la central durante algunos segundos; si el estado continúa, significa que hay una avería y habrá que sustituir la tarjeta electrónica.
1 destello por segundo	Todo OK	Funcionamiento normal de la central
2 destellos rápidos	Se ha producido una variación del estado de las entradas	Es normal cuando se cambia una de las entradas: PP, STOP, OPEN, CLOSE, activación de las fotocélulas o se utiliza el transmisor
Serie de destellos separados por una pausa	Varios	Es la misma señal que hay en la luz intermitente de 1 segundo (véase la Tabla 15)
Led STOP	Causa	Solución
Apagado	Activación de la entrada de STOP	Controle los dispositivos conectados a la entrada STOP
Encendido	Todo OK	Entrada STOP activa
Led PP	Causa	Solución
Apagado	Todo OK	Entrada PP desactivada
Encendido	Activación de la entrada de PP	Es normal si está activo efectivamente el dispositivo conectado a la entrada PP
Led OPEN	Causa	Solución
Apagado	Todo OK	Entrada OPEN desactivada
Encendido	Activación de la entrada OPEN	Es normal si está activo efectivamente el dispositivo conectado a la entrada OPEN
Led CLOSE	Causa	Solución
Apagado	Todo OK	Entrada CLOSE desactivada
Encendido	Activación de la entrada CLOSE	Es normal si está activo efectivamente el dispositivo conectado a la entrada CLOSE
Led de final de recorrido FC1	Causa	Solución
Apagado	Tope intervenido	- Si se ha configurado el parámetro "Dirección de rotación del motor estándar" el mástil se encuentra en la posición de cierre total. - Si se ha configurado el parámetro "Dirección de rotación del motor invertida" el mástil se encuentra en la posición de apertura total.
Encendido	Tope no intervenido	- Si se ha configurado el parámetro "Dirección de rotación del motor estándar" el mástil se encuentra en una posición distinta al cierre total. - Si se ha configurado el parámetro "Dirección de rotación del motor invertida" el mástil se encuentra en una posición distinta a la apertura total.
Led de final de recorrido FC2	Causa	Solución
Apagado	Tope intervenido	- Si se ha configurado el parámetro "Dirección de rotación del motor estándar" el mástil se encuentra en la posición de apertura total. - Si se ha configurado el parámetro "Dirección de rotación del motor invertida" el mástil se encuentra en la posición de cierre total.
Encendido	Tope no intervenido	- Si se ha configurado el parámetro "Dirección de rotación del motor estándar" el mástil se encuentra en una posición distinta al cierre total. - Si se ha configurado el parámetro "Dirección de rotación del motor invertida" el mástil se encuentra en una posición distinta al cierre total.
Led codificador	Causa	Solución
Encendido	El imán se encuentra delante del sensor	Es normal si no hay ningún movimiento en curso; no obstante, hay una avería en el codificador o el cable no está bien conectado
Apagado	El imán no se encuentra delante del sensor	Es normal si no hay ningún movimiento en curso; no obstante, hay una avería en el codificador o el cable no está bien conectado
Luz intermitente	Movimiento en curso	Todo OK si el movimiento está en curso; el parpadeo es proporcional a la velocidad. <i>Nota – Durante la ejecución del movimiento, el parpadeo rápido podría aparecer como led encendido.</i>

**TABLA 13 - Leds de los botones de la central de mando**

<b>Led 1</b>	<b>Descripción</b>
Apagado	Durante el funcionamiento normal indica "Cierre automático" desactivado.
Encendido	Durante el funcionamiento normal indica "Cierre automático" activo.
Parpadea	<ul style="list-style-type: none"> <li>• Programación de las funciones cuya ejecución está en curso.</li> <li>• Si parpadea junto con L2 indica que es necesario ejecutar el aprendizaje de los dispositivos (véase el apartado 4.4).</li> </ul>
Parpadeo rápido	Después de encender la central, indica un error de memoria que se refiere a los dispositivos conectados. Simultáneamente, el led "Bluebus" emite una señal de diagnóstico: 5 parpadeos - pausa de 1 segundo - 5 parpadeos. En este caso, es necesario completar la fase de aprendizaje de los dispositivos conectados (véase el apartado 4.4) o el borrado de la memoria (véase el apartado 7.1).
<b>Led 2</b>	<b>Descripción</b>
Apagado	Durante el funcionamiento normal indica "Cerrar después Fotocélula" desactivado.
Encendido	Durante el funcionamiento normal indica "Cerrar después Fotocélula" activo.
Parpadea	<ul style="list-style-type: none"> <li>• Programación de las funciones cuya ejecución está en curso</li> <li>• Si parpadea junto con L1 indica que es necesario ejecutar el aprendizaje de los dispositivos (véase el apartado 4.4)</li> </ul>
Parpadeo rápido	Después de encender la central, indica un error de memoria que se refiere a los parámetros y las configuraciones. Simultáneamente, el led "Bluebus" emite una señal de diagnóstico: 5 parpadeos - pausa de 1 segundo - 5 parpadeos. En este caso, es necesario completar la fase de aprendizaje de las posiciones de apertura y cierre (véase el apartado 4.5) o el borrado de la memoria (véase el apartado 7.1).
<b>Led 3</b>	<b>Descripción</b>
Apagado	Durante el funcionamiento normal indica "Cerrar Siempre" desactivado.
Encendido	Durante el funcionamiento normal indica "Cerrar siempre" activo.
Parpadea	<ul style="list-style-type: none"> <li>• Programación de las funciones cuya ejecución está en curso</li> <li>• Si parpadea junto con L4 indica que es necesario ejecutar el aprendizaje de las posiciones de apertura y cierre del mástil (véase el apartado 4.5).</li> </ul>
Parpadeo rápido	Después de encender la central, indica un error de memoria que se refiere a los parámetros y las configuraciones. De forma simultánea, el led "Bluebus" emite una señal de diagnóstico: 5 parpadeos - pausa de 1 segundo - 5 parpadeos. En este caso, es necesario borrar la memoria (véase el apartado 8.1), realizar la fase de aprendizaje de los dispositivos conectados (véase el apartado 4.4) y la realizar la fase de aprendizaje de las posiciones apertura y cierre (véase el apartado 4.5).
<b>Led 4</b>	<b>Descripción</b>
Apagado	Durante el funcionamiento normal indica "Stand-By" desactivado.
Encendido	Durante el funcionamiento normal indica "Stand-By" activo.
Parpadea	<ul style="list-style-type: none"> <li>• Programación de las funciones cuya ejecución está en curso</li> <li>• Si parpadea junto con L3 indica que es necesario ejecutar el aprendizaje de las posiciones de apertura y cierre del mástil (véase el apartado 4.5).</li> </ul>
Parpadeo rápido	Se ha detectado un cortocircuito o un exceso de absorción en una de las 3 salidas del borne. Compruebe las conexiones y los dispositivos conectados a las distintas salidas.
<b>Led 5</b>	<b>Descripción</b>
Apagado	Durante el funcionamiento normal indica "Ralentización corta" activo.
Encendido	Durante el funcionamiento normal indica "Ralentización prolongada" activo.
Parpadea	Programación de las funciones ejecutándose.
Parpadeo rápido	Hay un error en el conteo del codificador porque no se leen uno o varios imanes, o bien el cable no está conectado o se trata de la tercera maniobra consecutiva en la que interviene la función "Detección de obstáculos". Compruebe que se lean todos los imanes y que el cable esté conectado y en buen estado.
<b>Led 6</b>	<b>Descripción</b>
Apagado	Durante el funcionamiento normal indica "Parpadeo previo" desactivado.
Encendido	Durante el funcionamiento normal indica "Parpadeo previo" activo.
Parpadea	Programación de las funciones ejecutándose.
Parpadeo rápido	<ul style="list-style-type: none"> <li>- Los topes están invertidos. Invierta el cable de los topes o compruebe que se haya configurado el parámetro "Dirección de rotación del motor".</li> <li>- Tras el envío de una orden de movimiento, el tope no se libera en el intervalo establecido: compruebe que no hayan obstáculos al movimiento; en su caso, active la función "arranque".</li> </ul>
<b>Led 7</b>	<b>Descripción</b>
Apagado	Durante el funcionamiento normal indica la "Sensibilidad amperimétrica" desactivada.
Encendido	Durante el funcionamiento normal indica la "Sensibilidad amperimétrica" activa.
Parpadea	Programación de las funciones ejecutándose.
Parpadeo rápido	Error de comunicación Master/Slave. Compruebe si el cable está conectado o compruebe la polaridad del cable de conexión Master/Slave, o bien verifique que se haya completado la fase de adquisición Master/Slave para ambas centrales (véase el apartado 7.6; "Master/Slave").
<b>Led 8</b>	<b>Descripción</b>
Apagado	Durante el funcionamiento normal indica que el cierre del mástil está configurado hacia la izquierda.
Encendido	Durante el funcionamiento normal indica que el cierre del mástil está configurado hacia la derecha.
Parpadea	Programación de las funciones ejecutándose.
Parpadeo rápido	Error de versión de barrera. El tipo de barrera no coincide con la versión memorizada en la central. Compruebe que la versión del cable esté en buen estado y que esté conectado correctamente. En caso de que el error persista, borre la memoria y realice una nueva instalación.

## 7.4.2 - Señales de la luz intermitente

Si en la salida FLASH, presente en la central de mando, se conectara una luz intermitente (o se usa la luz led parpadeante, como accesorio opcional), durante la ejecución de un movimiento ésta destellará una vez por segundo. Si se produjera algún desperfecto, la luz intermitente emitirá parpadeos más cortos

que se repetirán dos veces, divididos por una pausa de 1 segundo. La luz led parpadeante (accesorio opcional) y el led "Bluebus" emiten las mismas señales. En la **Tabla 14** se describe la causa y la solución para cada tipo de señal.

**TABLA 14**

Señalización	Causa	Solución
1 destello pausa de 1 segundo 1 destello	Error en el sistema Bluebus	Al comienzo del movimiento, el control de los dispositivos conectados al sistema Bluebus no corresponde a los dispositivos memorizados durante el aprendizaje. Es posible que haya dispositivos averiados; controle y sustituya. Si se realizaran modificaciones, habrá que rehacer el aprendizaje de los dispositivos (véase el apartado 4.5).
2 destellos pausa de 1 segundo 2 destellos	Activación de una fotocélula	Al comienzo del movimiento, una o varias fotocélulas no dan la autorización para el movimiento; controle que no haya obstáculos.
3 destellos pausa de 1 segundo 3 destellos	Activación del limitador de la "Fuerza Motor"	Durante el movimiento, el mástil encontró un punto de mayor fricción; controle el motivo.
4 destellos pausa de 1 segundo 4 destellos	Activación de la entrada de STOP	Al comienzo o durante el movimiento se ha activado la entrada de STOP; controle el motivo.
5 destellos pausa de 1 segundo 5 destellos	Error en los parámetros internos de la central de mando	Corte y reanude la alimentación. Si el error persiste, realice el "Borrado total de la memoria" tal como se describe en el capítulo 7.1 y vuelva a realizar la instalación; si el estado sigue siendo el mismo, podría tratarse de una avería grave y, por tanto, hay que reemplazar la tarjeta electrónica.
6 destellos pausa de 1 segundo 6 destellos	No utilizado	—
7 destellos pausa de 1 segundo 7 destellos	Error en los circuitos eléctricos internos	Desconecte todos los circuitos de alimentación durante algunos segundos y pruebe nuevamente a enviar un mando; si el estado persiste, podría haber una avería grave en la tarjeta o en las conexiones del motor. Realice los controles y sustituciones si fueran necesarias.
8 destellos pausa de 1 segundo 8 destellos	No utilizado	—
9 destellos pausa de 1 segundo 9 destellos	Bloqueo automatismo	Envíe el mando "Desbloquear automatismo" o accione el movimiento con "Paso a Paso prioridad alta".

## 7.5 - Bucle detector

La central de mando dispone de dos circuitos destinados a la detección de las masas metálicas (motocicletas, automóviles, camiones, etc.); cada circuito puede completarse con la utilización de una espira inductiva compuesta de 1 cable unipolar, que ha de colocarse bajo tierra y a una profundidad de varios centímetros.

### 7.5.1 - Funcionamiento

Cuando la central de mando detecta una variación de frecuencia al pasar una masa metálica sobre la espira, activa un movimiento o una salida (salidas 1, 2 o 3) para activar la luz parpadeante, el indicador de barrera abierta o las luces para el mástil. La configuración de fábrica acciona una maniobra de apertura del mástil y, hasta que la espira no se ponga en funcionamiento, no será posible accionar la maniobra de cierre.

Cuando la central recibe alimentación, realiza una calibración; es decir, mide la frecuencia de funcionamiento de cada espira; en caso de que no haya ninguna espira conectada a la central, el circuito se apaga automáticamente después de 30 segundos.

Se puede regular la "sensibilidad de detección de las masas metálicas" en 8 niveles (véase la Tabla 7 del capítulo 6). La configuración de fábrica supone el 90%. A través del programador Oview, se pueden modificar otros parámetros y modos de funcionamiento asociados al bucle detector.

Las programaciones posibles con las siguientes; véase también la **Tabla 15** para consultar los valores:

- **Sensibilidad del bucle:** configurada la variación de frecuencia mínima de la masa metálica necesaria para activar la maniobra. Parámetros de referencia:
  - Configure una "sensibilidad alta" para detectar masas metálicas de pequeñas dimensiones.
  - Configure una "sensibilidad baja" para detectar masas metálicas de grandes dimensiones.
- **Alimentación del bucle:** activa o desactiva los circuitos del bucle detector.
- **Activa bucles 1 y 2:** la intervención de la espira activa el movimiento del accionador de barrera según la modalidad de funcionamiento configurada. Si la función se DESACTIVA, el estado de la espira estará disponible; para ello, habrá que programar correctamente una de las salidas (salidas 1, 2 o 3) de la central con el programador Oview.
- **Tiempo de espera de la espira:** tiempo durante el que la espira está ocupada. Tras haber transcurrido este tiempo, se activa automáticamente una

nueva calibración para indicar que la espira está libre.

- **Modo de funcionamiento del bucle:** si la función "Activa bucle" está habilitada y la señal de mando de la espira está ACTIVA, el comportamiento del accionador de barrera varía en función del "modo de funcionamiento del bucle" que se haya configurado:
  - sólo abrir (apertura comunitaria)
  - sólo cerrar
  - alt
  - foto cerrar (FOTO con inversión total). **¡ATENCIÓN! – La espira configurada como "foto cierre" no es un dispositivo de seguridad; por lo tanto, no está garantizada su intervención en cualquier condición. En particular, a cada puesta en funcionamiento, la central efectúa una calibración considerando que no hay masas metálicas sobre las espiras.**
- **Calibración:** realiza un procedimiento de calibración; es decir, de reconocimiento de la espira conectada. Nota: la calibración activa automáticamente el parámetro "Alimentación del bucle"
- **Modos de activación:** véase la **Tabla 16** (relé = señal de mando de la espira).
- **Tiempo de activación del bucle:** es el tiempo "t" vinculado a los modos de funcionamiento descritos en la **Tabla 16**.
- **Visualización de frecuencia de las espiras:** indica la frecuencia de oscilación de la espira seleccionada en Hz.

### 7.5.2 - Instalación

#### ADVERTENCIAS

- Es aconsejable instalar la espira magnética cerca del accionador de barrera.
- Los cables eléctricos de las espiras magnéticas deben separarse de los demás cables que se encuentren en el accionador de barrera (alimentación, accesorios, etc.).
- Si las espiras magnéticas están conectadas a accionadores de barrera distintos, es necesario que se coloquen al menos a 1 m de distancia entre sí.
- **¡Importante!** – Hay que fijar la espira magnética de modo que quede inmovilizada, ya que, los movimientos imprevistos, causados por una pavimentación inestable, podrían causar accionamientos falsos.
- La dimensión de la espira debe definirse en función de la aplicación; hay que tener en cuenta que la espira debe colocarse a una distancia mínima de 20 cm de los objetos metálicos fijos y de 1 m de los objetos metálicos móviles (**fig. F**). Nota – Para obtener un funcionamiento óptimo, es aconsejable uti-



lizar una espira cuyas dimensiones sean inferiores o iguales a las del objeto que se ha de detectar.

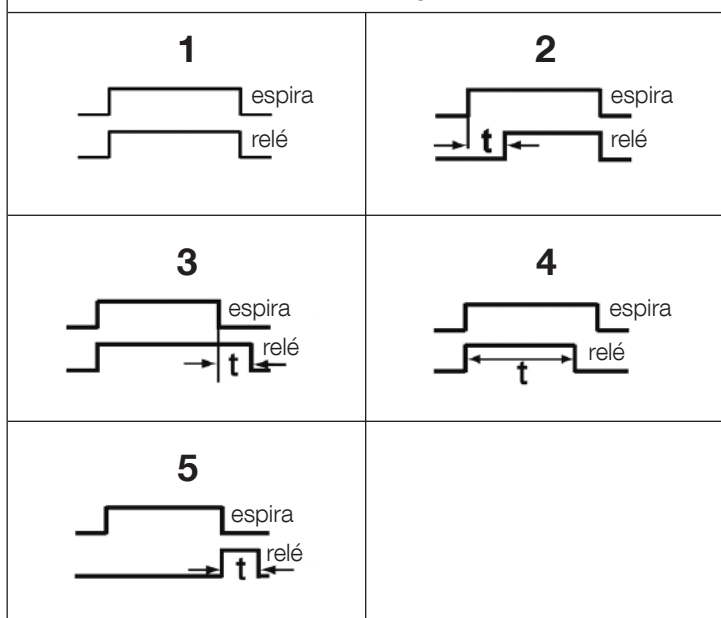
- Por lo general, la espira utilizada para el paso de automóviles y camiones presenta una forma rectangular y tiene que colocarse a 45° con respecto a la pista habilitada para el paso de bicicletas y motos (**fig. G**). Nota – Es aconsejable cortar los ángulos a 45° de la pista sobre el suelo para evitar que se rompa el cable.
  - **IMPORTANTE – PARA EVITAR INTERFERENCIAS, LOS CABLES DE CONEXIÓN DE LA ESPIRA DEBEN ESTAR TRENZADOS AL MENOS CON 20 VUELTAS AL METRO Y NO DEBE HABER EMPALMES.** En caso de que fuera necesario prolongar el cable, hay que soldar los conductores y sellarlos con una funda termorretráctil. **La longitud del cable trenzado debe ser inferior a 20 m.**
01. Tras haber determinado la dimensión de la espira, debe hacer un surco en el pavimento de una longitud de 8 mm y con una profundidad de 30 mm a 50 mm (**fig. H**).
  02. Limpie el surco e introduzca la espira tratando de comprimirla para evitar que se mueva.

03. Realice el número de giros de la espira en función del perímetro, según se indica en la **Tabla 17**: utilice un cable de cobre aislado unipolar de 1,5 mm<sup>2</sup> (**fig. H**).
04. Antes de tapar el surco, compruebe que el valor de la espira inductiva esté comprendido entre 100 y 400 uH o, a través del programador Oview, compruebe que el valor de la frecuencia calculada (parámetro “Frecuencia del bucle” esté comprendido entre 30 y 90 KHz).
05. Cubra la espira con arena para protegerla y, a continuación, selle el surco con asfalto o resina para exteriores (**fig. H**). **¡Atención!** – La temperatura del sellador no debe superar la temperatura máxima admitida para el aislamiento del cable porque, de lo contrario, podría producirse una pérdida de aislamiento a tierra.
06. Hay que conectar los cables eléctricos a los bornes **Loop1** (**fig. I**) y **Loop2** (**fig. L**). El borne Loop2 tiene 2 posibilidades de conexión (**fig. L**); la frecuencia de funcionamiento de la espira varía en función del tipo de conexión utilizada.  
**¡Atención!** – Si la espira Loop1 se coloca cerca de la espira Loop2 y las dos funcionan a la misma frecuencia (o casi), podrían producirse interferencias; en este caso, es necesario cambiar la conexión al borne Loop2.

**TABLA 15**

Función	Valores	predeterminados
Sensibilidad del bucle 1	10 – 100%	90%
Sensibilidad del bucle 2	10 – 100%	90%
Alimentación del bucle	on – off	on
Activa bucle 1	on – off	on
Activa bucle 2	on – off	on
Modo de funcionamiento del bucle 1	seleccionable	abrir
Modo de funcionamiento del bucle 2	seleccionable	abrir
Tiempo de espera de la espira 1	2 – 20 = siempre	20 = siempre
Tiempo de espera de la espira 2	2 – 20 = siempre	20 = siempre
Función de las salidas 1, 2 y 3: Activa ext (1,2 y 3) para bucle 1	seleccionable	off
Función de las salidas 1, 2 y 3: Activa ext (1,2 y 3) para bucle 2	seleccionable	off
Calibración [realizada también después del encendido]	on – off	
Modo de activación* bucle 1:	1 – 5	1
Tiempo del bucle 1	0 – 25 s	2 s
Modo de activación* bucle 2:	1 – 5	1
Tiempo del bucle 2	0 – 25 s	2 s
Visualización de frecuencia de espira 1	0 – 100000	-
Visualización de frecuencia de espira 2	0 – 100000	-

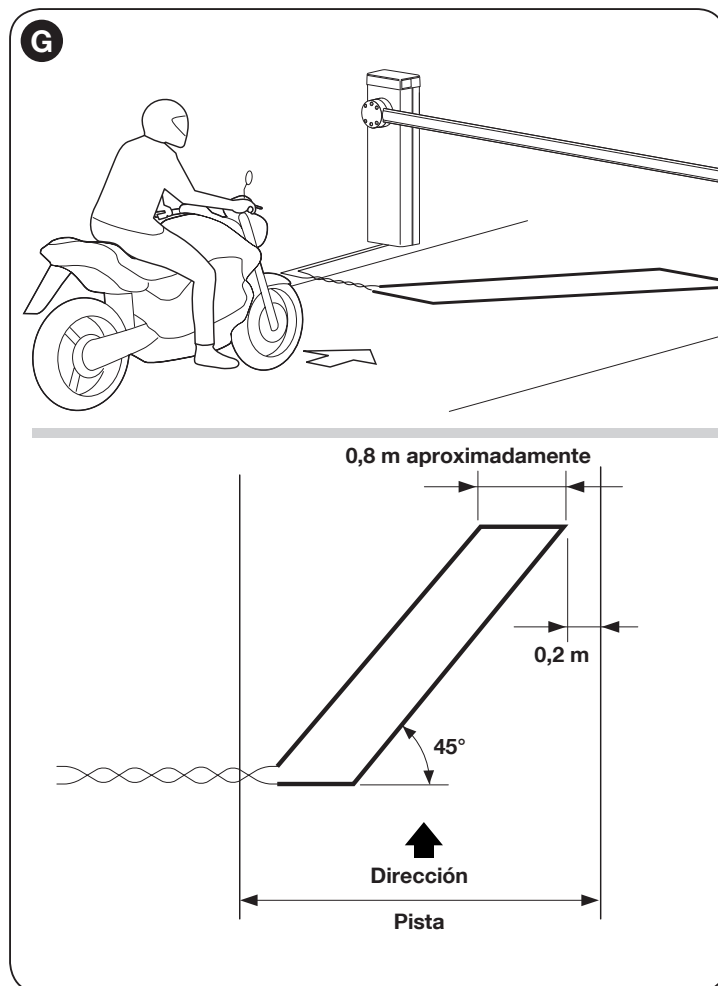
**TABLA 16**

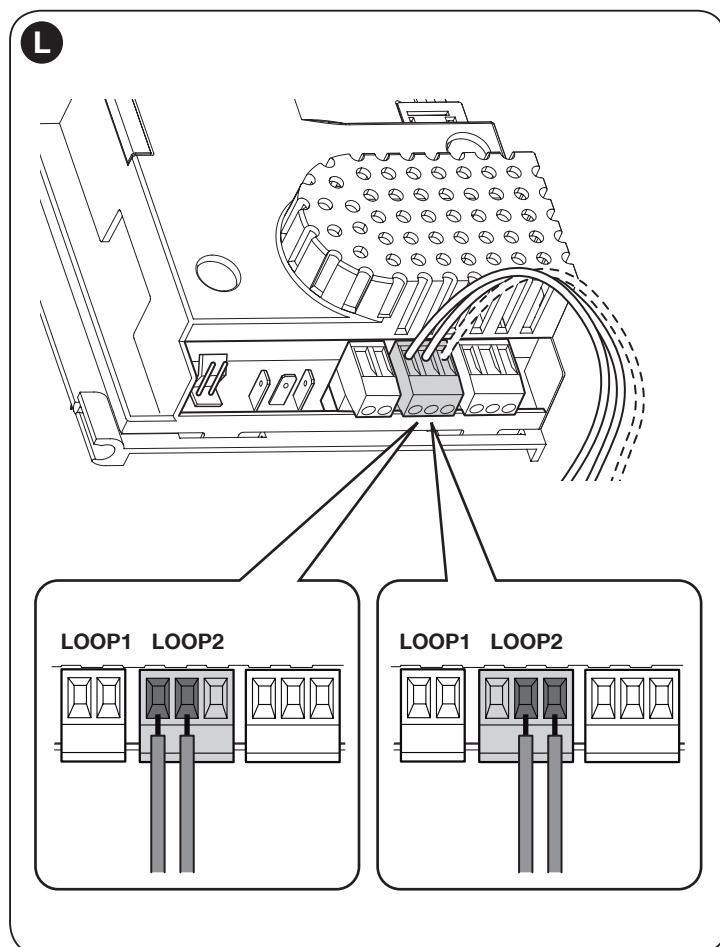
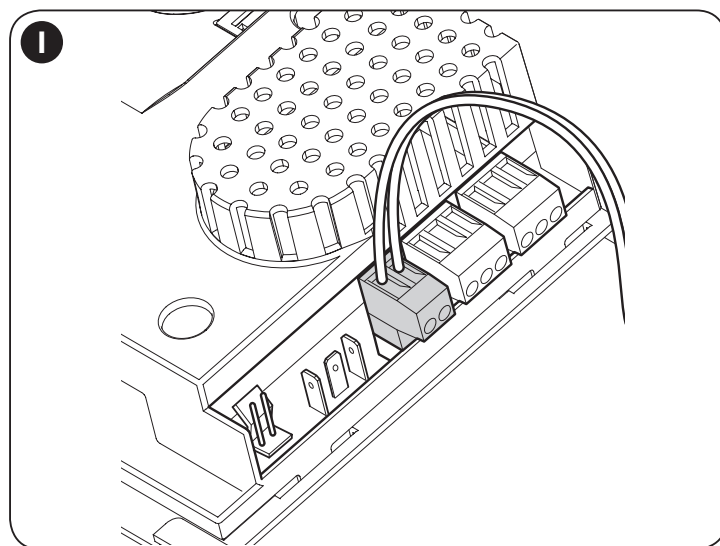
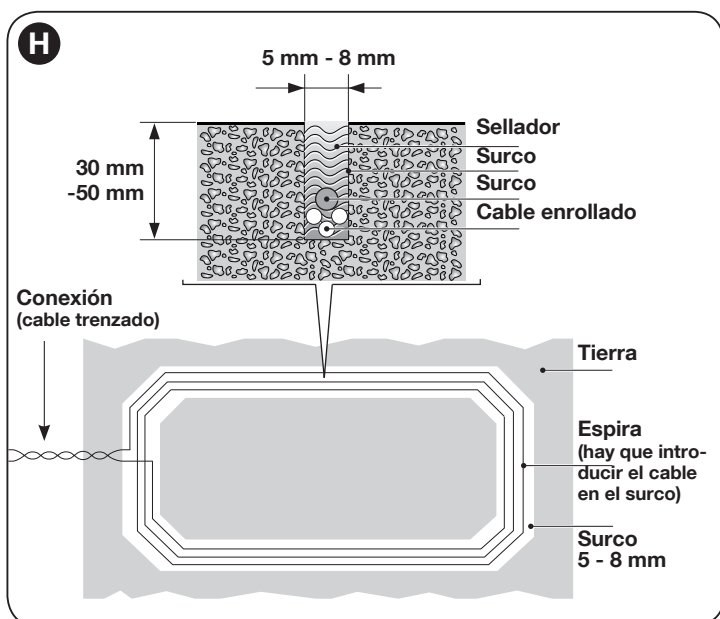
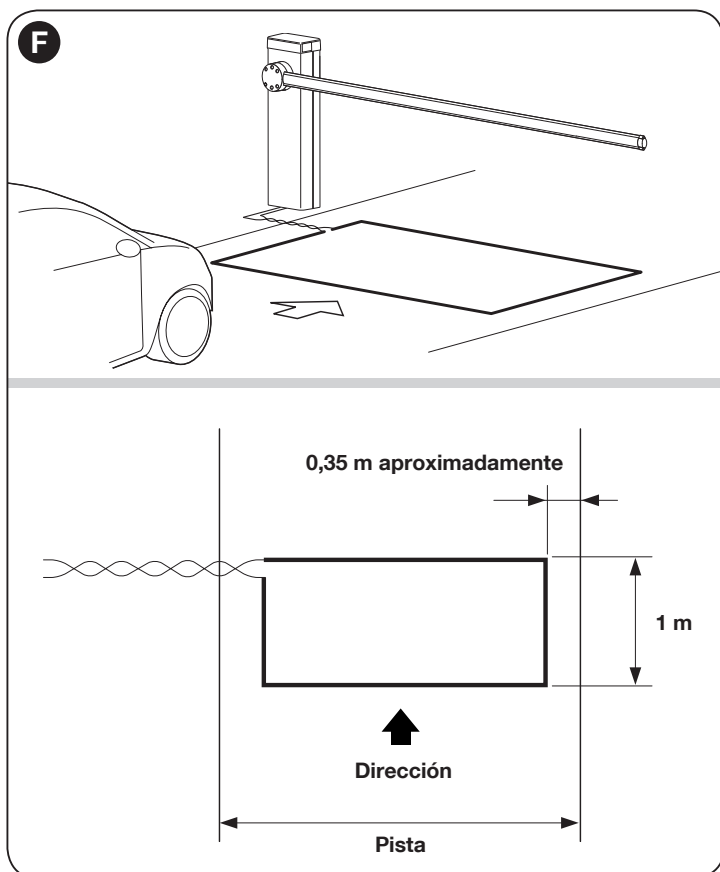


**TABLA 17**

Perímetro de la espira	Número de giros que hay que dar
2 – 4 m	6
4 – 7 m	5
7 – 12 m	4
superior a 12 m	3

**Nota** – Si en el lugar en que se coloca la espira, debajo del pavimento, hay estructuras de metal, entonces se reduce la inductancia de la espira. En este caso, es necesario añadir 2 vueltas a la bobina del cable.





## 7.6 - Modos Master y Slave

Esta modalidad de funcionamiento se utiliza si es necesario automatizar 2 accionadores de barrera contrapuestos que efectúan los movimientos de modo sincronizado. En esta modalidad, una barrera funciona como Master (maestra) y manda la maniobra, mientras que la segunda funciona como Slave (esclava) y sigue los comandos que le envía la barrera Master; la configuración de fábrica de todos los accionadores de barrera es Master.

Para configurar el accionador de barrera como Slave, hay que activar la función de primer nivel como "Modo Slave" (véase la Tabla 7).

La conexión entre Master y Slave se realiza a través de BusT4 con el conector dedicado Master/Slave.

**¡Atención!** – En caso de que se utilizara el programador Oview, es necesario modificar el parámetro "Grupo" o "Dirección" de una de las 2 barreras. Esto se realiza para evitar la comunicación simultánea de las 2 centrales con el programador Oview.

### 7.6.1 - Instalación y conexiones eléctricas

#### Advertencias

- Todos los dispositivos, incluido el receptor de radio, deben conectarse al accionador de barrera Master.
- En caso de que se utilice la batería compensadora, cada accionador de barrera debe tener la suya propia.

• En el accionador de barrera **Slave** se pueden realizar las siguientes conexiones:

- una luz intermitente (Flash)
- un indicador de mástil abierto (S.C.A.)
- luces del mástil
- una banda sensible (Stop)
- un dispositivo de mando (P.P.) que acciona la apertura total sólo del mástil Slave
- las entradas Open y Close no se utilizan
- las entradas Loop1 y Loop2 programadas con la modalidad "Abrir"
- el receptor de radio

Para instalar 2 accionadores de barrera y programarlos con la modalidad "Master - Slave", proceda como se indica a continuación:

- 01.** Realice la instalación de los 2 accionadores de barrera (**fig. M**). No importa cuál de los dos actúe como Master o Slave; de hecho, hay que evaluar la comodidad para efectuar las conexiones eléctricas y para que el comando "Paso a Paso" que accione la barrera Slave consienta la apertura total **exclusivamente** del mástil Slave.
- 02.** Conecte entre ambos accionadores los dos centrales a través del conector Master/Slave (**fig. 54**), para lo que tendrá que respetar la polaridad indicada.
- 03.** En este punto, realice las demás conexiones eléctricas (**fig. 54**); para ello, remítase a las indicaciones del capítulo 4 - Conexiones eléctricas.
- 04.** Tras haber realizado todas las conexiones eléctricas, active la alimenta-

ción eléctrica para cada una de las centrales y, de forma individual, siga el procedimiento descrito en el apartado 4.2 - Primer encendido y control de las conexiones.

**¡Atención!** – Si se utiliza el programador Oview, es necesario modificar el parámetro “Grupo” o “Dirección” en una de las 2 centrales del accionador de barrera; este procedimiento se aplica para evitar la comunicación simultánea de las 2 centrales con Oview.

05. En el accionador de barrera Slave, realice las siguientes programaciones:
- Aprendizaje de los dispositivos conectados (véase el apartado 4.4)
  - Aprendizaje de las posiciones de apertura y cierre (véase el apartado 4.5)
  - Realice los ajustes oportunos
  - Active el parámetro “Modo Slave” tal como se describe en el apartado 6.1 - Programación del primer nivel (ON-OFF).

En este punto, el led L7 empieza a parpadear para indicar un “error de comunicación Master-Slave”. Este error se produce porque aún no se ha realizado el acoplamiento de la barrera Master con la Slave.

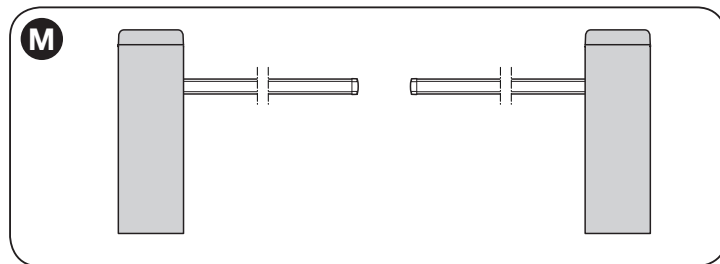
**¡Importante!** - En el accionador de barrera contrapuesto, antes de completar la fase de “Aprendizaje de las posiciones de apertura y cierre”, es necesario configurar la “Dirección de rotación del motor” (parámetro L8 - Tabla 7, apartado 6.1).

**Importante** – Tenga en cuenta que, durante el funcionamiento, todas las programaciones realizadas en el accionador de barrera Slave se ignoran porque prevalecen las del accionador de barrera Master, salvo las indicadas en la **Tabla 18**, que sí repercuten exclusivamente en el accionador de barrera Slave.

06. En el accionador de barrera Master, efectúe las siguientes programaciones:

- Aprendizaje de los dispositivos conectados (véase el apartado 4.4)
- Aprendizaje de las posiciones de apertura y cierre (véase el apartado 4.5)
- Realice los ajustes oportunos

07. Por último, desde la central Master, envíe un comando para efectuar una maniobra y comprobar que esta última se ejecute también desde el accionador de barrera Slave.



**TABLA 18**

Funciones de primer nivel (funciones ON - OFF)	Funciones de segundo nivel (parámetros regulables)
Stand-by	Velocidad motor
Punto de arranque	Salida Flash
Modo Slave	Salida a led
Ralentización larga/corta	Fuerza motor
Dirección de rotación del motor	Frenado

**Nota** – Si desea utilizar la función “standby total” en los accionadores de barra con configuración Master-Slave, es preciso realizar la conexión eléctrica utilizando el conector BusT4 y **no el conector Master-Slave**.

## 8 QUÉ HACER SI ... (guía para solucionar los problemas)

A continuación se indican los posibles casos de problemas de funcionamiento que podrían producirse durante la instalación o en caso de avería y las posibles soluciones:

- **El transmisor no acciona la barrera y el led del transmisor no se enciende:** controle que las pilas del transmisor no estén gastadas; de ser necesario, sustitúyalas.
- **El transmisor no acciona la barrera pero el led del transmisor se enciende:** controle que el transmisor esté memorizado correctamente en el receptor. También controle que la emisión de la señal emitida por el transmisor sea correcta; para ello, realice la siguiente prueba: presione cualquier botón del transmisor y apoye el led sobre la antena de una radio normal que funcione y que esté sintonizada en la banda FM en la frecuencia 108,5 Mhz o en la más cercana; de esta manera, se debería sentir un ligero chasquido.
- **Al enviar un mando no se ejecuta ningún movimiento y el led OK no parpadea:** compruebe que el accionador de barrera recibe alimentación de 230 V. Además, compruebe que los fusibles F1 y F2 no se interrumpan; en este caso, compruebe la causa de la avería y, a continuación, sustitúyalos por otros con las mismas características; véase la **fig. 55**.
- **Al enviar un mando no se ejecuta ningún movimiento y la luz intermitente está apagada:** controle que el mando llegue efectivamente; si el mando enviado llega a la entrada PP, el led OK destellará dos veces indicando que el mando ha sido recibido.
- **El movimiento no arranca y la luz intermitente parpadea algunas veces:** cuente el número de parpadeos y compruebe el significado en la **Tabla 19**.

**TABLA 19**

### Diagnóstico con led de programación

<b>L1 parpadeo rápido:</b> error de memoria de dispositivos
<b>L2 parpadeo rápido:</b> error de configuración de memoria
<b>L3 parpadeo rápido:</b> error de parámetros de memoria
<b>L4 parpadeo rápido:</b> cortocircuito parpadeante o luz de cortesía
<b>L5 parpadeo rápido:</b> error de conteo del codificador
<b>L6 parpadeo rápido:</b> error de topes invertidos o bien el tope no se ha liberado en el intervalo programado
<b>L7 parpadeo rápido:</b> error de comunicación Master-Slave
<b>L8 parpadeo rápido:</b> error de versión

- **El movimiento se ejecuta pero un poco después el mástil se bloquea o realiza una breve inversión:** la fuerza seleccionada podría tener un valor configurado muy bajo para poder mover el mástil. Controle que el mástil esté bien equilibrado; de ser necesario, regule un valor de fuerza más alto. **El valor de la sensibilidad podría ser demasiado alto:** reduzca el este valor. Si la activación se produce en la fase de ralentización, hay que disminuir la intensidad de frenado.
- **El movimiento se realiza a velocidad lenta:** el movimiento no parte de uno de los topes o la central no reconoce el tope. Compruebe la conexión eléctrica del tope.
- **El accionador de barrera Slave no efectúa la maniobra:** compruebe que se haya completado la fase de aprendizaje “Master-Slave” para ambos accionadores de barrera.
- **El movimiento se realiza al contrario:** compruebe que el parámetro “Dirección de rotación del motor” (parámetro L8 - Tabla 7, apartado 6.1) esté configurado correctamente, o bien invierta los cables del motor.

## ELIMINACIÓN DEL PRODUCTO

**Este producto forma parte integrante del automatismo y, por consiguiente, deberá ser eliminado junto con éste.**

Al igual que para las operaciones de instalación, al final de la vida útil de este producto las operaciones de desguace deberán ser llevadas a cabo por personal experto.

Este producto está formado de varios tipos de materiales: algunos pueden reciclarse, otros deben ser eliminados. Infórmese sobre los sistemas de reciclaje o de eliminación previstos por las normativas vigentes locales para esta categoría de producto.

**¡Atención!** – algunas piezas del producto pueden contener sustancias contaminantes o peligrosas que, si se las abandonara en el medio ambiente, podrían provocar efectos perjudiciales para el mismo medio ambiente y para la salud humana.

Tal como indicado por el símbolo de aquí al lado, está prohibido arrojar este producto en los residuos urbanos. Realice la “recogida selectiva” para la eliminación, según los métodos previstos por las normativas vigentes locales, o bien entregue el producto al vendedor cuando compre un nuevo producto equivalente.

**¡Atención!** – las normas locales vigentes pueden prever sanciones importantes en el caso de eliminación abusiva de este producto.



## CARACTERÍSTICAS TÉCNICAS DEL PRODUCTO

**ADVERTENCIAS:** • Todas las características técnicas indicadas se refieren a una temperatura ambiente de 20 °C (±5 °C). • Nice S.p.A. se reserva el derecho de modificar el producto siempre que lo estime oportuno, pero manteniendo en todo momento la misma funcionalidad y el mismo uso previstos.

Modelo	M3BAR	M5BAR	M7BAR	L9BAR
<b>Tipo</b>	Barrera de paso para uso residencial dotada de central electrónica de control			
<b>Paso útil (m)</b>	2,32 ÷ 2,82	3,17 ÷ 4,82	5 ÷ 7	7 ÷ 9
<b>Par máximo en el punto de arranque (Nm)</b>	100	200	300	400
<b>Par nominal (Nm)</b>	30	70	90	130
<b>Tiempo de maniobra (regulable en s.)</b>	1.5 – 3	3 – 6	6 – 10	8 – 12
<b>Frecuencia máxima de los ciclos de funcionamiento el par nominal</b> (la central limita los ciclos al máximo previsto en la tabla T3)	600 el uso continuo	350 el uso continuo	200	150
<b>Durabilidad</b>	Véase el capítulo 3, apartado 3.2.1			
<b>Tensión de alimentación</b>	230V 50/60Hz	230V 50/60Hz	230V 50/60Hz	230V 50/60Hz
<b>Tensión de alimentación/V1</b>	120V 50/60Hz	120V 50/60Hz	120V 50/60Hz	120V 50/60Hz
<b>Potencia máxima absorbida en el par de arranque (W)</b>	150	110	110	160
<b>Potencia máxima en el par nominal (W)</b>	40	50	40	50
<b>Clase de aislamiento</b>	1	1	1	1
<b>Alimentación de emergencia</b>	Si (con accesorio PS224)			
<b>Alimentación fotovoltaica</b>	Si (con accesorio SYKCE)			
<b>Salida FLASH</b>	Para una luz intermitente LUCYB, MLB o MLBT (bombilla de 12 V – 21 W)			
<b>Salida LIGHT</b>	Para el accesorio opcional "luces mástil" XBA4			
<b>Salida SCA</b>	Para indicador luminoso de señalización de 24 V (10 W máx.)			
<b>Salida para luz intermitente/semáforo sobre la tapa</b>	Con los accesorios opcionales de luz led intermitente XBA7 o luz de semáforo a led XBA8			
<b>Salida BlueBUS</b>	1 salida con carga máxima de 12 unidades BlueBus			
<b>Entrada "STOP"</b>	Para contactos normalmente cerrados, normalmente abiertos o para resistencia constante 8,2 kΩ, o bien de tipo óptico O.S.E.; en autoaprendizaje (una variación respecto del estado memorizado activa el comando "STOP")			
<b>Entrada "Paso a Paso"</b>	Para contactos normalmente abiertos			
<b>Entrada "ABRIR"</b>	Para contactos normalmente abiertos			
<b>Entrada "Cerrar"</b>	Para contactos normalmente abiertos			
<b>Conector radio</b>	Conector SM para receptores SMXI, SMXIS, OXI u OXIT			
<b>Entrada ANTENA Radio</b>	50 Ω para cable tipo RG58 o similar			
<b>Entradas del bucle detector</b>	Nº2 para bucles de 2 a 16 m de circunferencia			
<b>Inductancia nominal del bucle</b>	entre 100 y 400 μH			
<b>Funciones programables</b>	8 funciones de tipo ON-OFF y 8 funciones regulables (véanse las tablas 6 y 8) y otras programaciones a través de la unidad de programación y el comando Oview			
<b>Funciones en autoaprendizaje</b>	Autoaprendizaje de los dispositivos conectados a la salida BlueBUS. Autoaprendizaje del tipo de dispositivo de "STOP" (contacto NA, NC o de resistencia 8 kΩ). Aprendizaje de las posiciones de apertura y cierre del mástil y cálculo de los puntos de ralentización y apertura parcial. Autoaprendizaje de la "Versión"			
<b>Temperatura de funcionamiento</b>	-20°C ... +55°C	-20°C ... +55°C	-20°C ... +55°C	-20°C ... +55°C
<b>Grado de protección</b>	IP54	IP54	IP54	IP54
<b>Dimensiones (mm)</b>	400 x 299 x 1215 h	400 x 299 x 1215 h	400 x 299 x 1215 h	500 x 299 x 1215 h
<b>Peso</b>	80 kg	80 kg	85 kg	98 kg

## ANEXO I

Declaración de conformidad aplicable en caso de que el producto no se instale de conformidad con los criterios contemplados en el capítulo 1.3.1.

### Declaración de conformidad CE y declaración de incorporación de una “cuasi máquina”

**Declaración de conformidad con las Directivas:  
1999/5/CE (R&TTE); 2014/30/UE (CEM); 2006/42/CE (DM), anexo II, parte B**

*Nota: el contenido de la presente declaración se corresponde con cuanto se declara en el documento oficial presentado en la sede de Nice S.p.A. y, en particular, con la última revisión disponible antes de la impresión de este manual. El texto aquí contenido se ha adaptado por cuestiones editoriales. No obstante, se puede solicitar una copia de la declaración original a Nice S.p.A. (TV) Italy.*

Número de declaración: **405/M-LBAR**

Revisión: **12**

Idioma: **ES**

**Nombre del fabricante:** NICE S.p.A.

**Dirección:** Via Pezza Alta N°13, 31046 Rustignè di Oderzo (TV) Italy

**Tipo de producto:** Accionador de barrera electromecánico

**Modelo/Tipo:** M3BAR, M5BAR, M7BAR, L9BAR, M3BARI, M5BARI, M7BARI, L9BARI

**Accesorios:** XBA14, XBA15, XBA4, XBA6, XBA18, XBA9, XBA7, XBA8, PS224, OVIEW Unit

El abajo firmante Roberto Griffa, en calidad de Chief Executive Officer, bajo su propia responsabilidad, declara que lo producto arriba indicado cumplen con las disposiciones contempladas en las siguientes Directivas:

- Directiva 1999/5/CE DEL PARLAMENTO EUROPEO Y DEL CONSEJO, de 9 de marzo de 1999, sobre equipos radioelétricos y equipos terminales de telecomunicación y reconocimiento mutuo de su conformidad, en virtud de las siguientes normas armonizadas:
  - Protección de la salud (art. 3(1)(a)): EN 62479:2010
  - Seguridad eléctrica (art. 3(1)(a)): EN 60950-1:2006+A11:2009+A12:2011+A1:2010+A2:2013
  - Compatibilidad electromagnética (art. 3(1)(b)): EN 301 489-1 V1.9.2:2011, EN 301 489-3 V1.6.1:20133
  - Espectro radioeléctrico (art. 3(2)): EN 300 330-2 V1.6.1:2015

En virtud de la Directiva 1999/5/CE (anexo III), el producto resulta ser de Clase 1

- DIRECTIVA 2014/30/UE DEL PARLAMENTO EUROPEO Y DEL CONSEJO del 26 de febrero de 2014 relativa a la armonización de las leyes de los Estados miembros sobre la compatibilidad electromagnética (refundición) según las siguientes normas armonizadas: EN 61000-6-2:2005, EN 61000-6-3:2007+A1:2011
- DIRECTIVA 2014/35/UE DEL PARLAMENTO EUROPEO Y DEL CONSEJO del 26 de febrero de 2014 relativa a la armonización de las leyes de los Estados miembros sobre la puesta a disposición en el mercado de material eléctrico destinado a adoptarse dentro de los límites de tensión (refundición), según las siguientes normas armonizadas:  
EN 60335-1:2002 + A1:2004 + A11:2004 + A12:2006 + A2:2006 + A13:2008 + A14:2010 + A15:2011  
EN 60335-2-103:2003+A11:2009, EN 62233:2008

Asimismo, el producto también cumple con la siguiente Directiva de conformidad con los requisitos previstos para las “cuasi máquinas”:

- DIRECTIVA 2006/42/CE DEL PARLAMENTO EUROPEO Y DEL CONSEJO de 17 de mayo de 2006 relativa a las máquinas y por la que se modifica la Directiva 95/16/CE (refundición)
  - Se declara que la documentación técnica correspondiente se ha elaborado de conformidad con el anexo VII B de la Directiva 2006/42/CE y que se han respetado los siguientes requisitos fundamentales:  
1.1.1- 1.1.2- 1.1.3- 1.2.1-1.2.6- 1.5.1-1.5.2- 1.5.5- 1.5.6- 1.5.7- 1.5.8- 1.5.10- 1.5.11
  - El fabricante se compromete a remitir a las autoridades nacionales, previa solicitud justificada, la información pertinente acerca de la “cuasi máquina”, sin perjudicar en ningún momento los propios derechos de propiedad intelectual.
  - En caso de que la “cuasi máquina” se ponga en funcionamiento en un país europeo cuya lengua oficial difiera de la que se utiliza en la presente declaración, el importador tiene la obligación de asociar la traducción correspondiente a esta declaración.
  - Se advierte que la “cuasi máquina” no debe ponerse en funcionamiento hasta que, si procede, no se declare la conformidad con las disposiciones contempladas en la Directiva 2006/42/CE de la máquina final en que será incorporada.

El producto, con limitación a las partes aplicables, también cumple con las siguientes normas:  
EN 13241-1:2003+A1:2011, EN 12445:2000, EN 12453:2000, EN 12978:2003+A1:2009

Oderzo, 23 de enero 2017

Ing. **Roberto Griffa**  
(Chief Executive Officer)





# Manual de uso

## (facilitar al usuario final)

Antes de utilizar por primera vez el sistema de automatización, pida a su instalador que le explique el origen de los riesgos residuales y dedique algunos minutos para leer este manual. Conserve el manual por cualquier problema que pueda surgir y recuerde entregarlo a un posible nuevo propietario del sistema de automatización.

**¡ATENCIÓN! – El sistema de automatización es una máquina que ejecuta fielmente los mandos indicados: un uso inconsciente e inadecuado puede crear situaciones de peligro:**

- **No accione el sistema de automatización cuando en su radio de acción haya personas, animales o cosas.**
- **¡Está absolutamente prohibido tocar las piezas del sistema de automatización mientras el mástil se está moviendo!**
- **¡El tránsito está permitido sólo si el mástil está completamente abierto y detenido!**

### Advertencias

**1 - Niños:** una instalación de automatización garantiza un elevado grado de seguridad, impidiendo, gracias a sus sistemas de detección, que se mueva ante la presencia de personas o cosas y garantizando una activación previsible y segura. Procure que los niños no jueguen cerca del automatismo y mantenga los controles remotos lejos de su alcance: ¡no son un juguete!

**2 -** El uso de este producto no está indicado para personas (incluidos los niños) cuya capacidad física, sensorial o mental sea reducida, o bien para aquellos que no dispongan de la experiencia o los conocimientos necesarios, a menos que hayan podido beneficiarse, por mediación de una persona responsable de su seguridad, de un procedimiento vigilado o de instrucciones en relación con el uso del producto.

**3 - Anomalías:** en cuanto note que el sistema de automatización no funciona correctamente, corte la alimentación eléctrica de la instalación y realice el desbloqueo manual. No realice ninguna reparación y llame a su instalador de confianza: una vez desbloqueado el motorreductor tal como se describe más adelante, la instalación podrá funcionar manualmente como un cerramiento no automatizado. **En el caso de roturas o corte de energía**, mientras espera que llegue el instalador o que vuelva la energía eléctrica, el sistema de automatización se podrá utilizar igualmente aunque el sistema no incorpore baterías compensadoras: habrá que desbloquear manualmente el motorreductor (véase el paso 9 – Desbloqueo y bloqueo manual del motorreductor) y mover el mástil con la mano en la posición deseada.

**4 - Accionamiento con dispositivos de seguridad fuera de uso:** si los dispositivos de seguridad presentes en el accionador de barrera no funcionaran correctamente, el accionador de barrera se podrá accionar igualmente:

- Accione el mando del accionador de barrera (con el transmisor o con el selector de llave, etc.); si todo fuera correcto, el mástil se abrirá o cerrará normalmente, en caso contrario, la luz intermitente parpadeará algunas veces y el movimiento no arrancará (la cantidad de parpadeos depende de la razón que impide que arranque el movimiento).
- En este caso, dentro de tres segundos, accione nuevamente el mando y manténgalo accionado.
- Tras 2 segundos, el accionador de barrera comenzará a moverse en modo "hombre presente", es decir que, mientras se mantenga activo el mando el mástil, seguirá moviéndose, EN CUANTO SUELTE EL MANDO, EL MÁSTIL SE DETENDRÁ.

**Con los dispositivos de seguridad fuera de uso es necesario someter el sistema de automatización a operaciones de reparación lo antes posible.**

**5 -** Aunque piense que lo sabe hacer, no modifique la instalación ni los parámetros de programación y regulación del sistema de automatización: la responsabilidad es de su instalador.

**6 -** El ensayo, las operaciones de mantenimiento periódico y las reparaciones deben ser documentados por la persona que realiza el trabajo; el propietario del sistema debe conservar estos documentos. Las únicas operaciones que puede hacer el usuario y que aconsejamos realizar periódicamente son la limpieza del sistema de automatización y la de los vidrios de las fotocélulas. Para que nadie pueda accionar

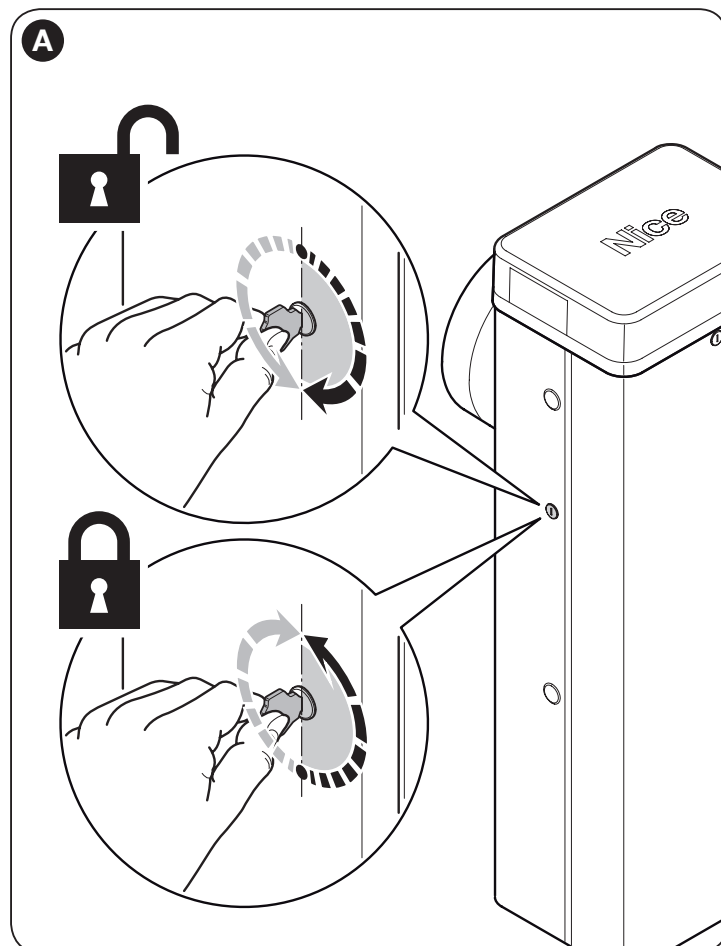
el accionador de barrera, antes de proceder, recuerde desbloquear el sistema de automatización (como se describe más adelante) y utilice para la limpieza únicamente un paño ligeramente humedecido con agua.

**7 - Desguace:** al final de la vida útil del sistema de automatización, el desguace debe ser realizado por personal cualificado y los materiales deben ser reciclados o eliminados según las normas locales vigentes.

**8 - Desbloqueo y bloqueo manual del motorreductor:** el motorreductor está equipado con un sistema mecánico que permite abrir y cerrar el mástil manualmente. Estas operaciones deben realizarse en caso de corte de la energía eléctrica y de anomalías de funcionamiento.

**¡IMPORTANTE! – Las operaciones de desbloqueo y bloqueo del motorreductor deben hacerse sólo cuando el mástil esté detenido y en posición horizontal.**

Para bloquear o desbloquear manualmente el accionador de barrera, introduzca la llave suministrada y gírela 180° (**fig. A**); con posibilidad de girar a ambos lados.







# Plan de mantenimiento

## (facilitar al usuario final)

### REGISTRO DE MANTENIMIENTO

**Importante** – Este registro de mantenimiento debe entregarse al propietario del sistema de automatización después de haber rellenado las secciones necesarias.

En el presente registro se deben mencionar todos los trabajos de mantenimiento, reparación y modificaciones realizados. El registro deberá actualizarse cada vez que se realice un trabajo y, además, deberá conservarse con cuidado para que esté disponible en caso de inspecciones por parte de organismos autorizados.

El presente “Registro de mantenimiento” se refiere al siguiente sistema de automatización:

mod. MBAR y L9BAR. - n.º de matrícula ..... - fecha de instalación ..... - en .....

Los siguientes documentos forman parte del este “Registro de mantenimiento”:

- 1) - Plan de mantenimiento
- 2) - .....
- 3) - .....
- 4) - .....
- 5) - .....
- 6) - .....

Según el documento anexo “Plan de mantenimiento”, las operaciones de mantenimiento deben llevarse a cabo con la siguiente frecuencia: **cada 6 meses** o a los **50.000 ciclos de maniobra**, lo que primero suceda.

### PLAN DE MANTENIMIENTO

**¡Atención!** – El mantenimiento del sistema debe ser realizado por personal técnico y cualificado, respetando las normas para la seguridad previstas por las leyes vigentes y por las prescripciones sobre la seguridad indicadas en el capítulo 1 - “Advertencias y precauciones generales para la seguridad”, que se encuentra al principio de este manual.

Por lo general, el accionador de barrera de paso no necesita un mantenimiento específico; sin embargo, un control regular permite mantener en perfectas condiciones el sistema y asegura el funcionamiento correcto de los sistemas de seguridad instalados.

Para el mantenimiento de los dispositivos incorporados al accionador de barrera de paso, siga las disposiciones previstas en los respectivos planes de mantenimiento.

Como regla general, se aconseja realizar un control periódico con la siguiente frecuencia: cada 6 meses o a las 50.000 maniobras.

Aunque se rompa el muelle, es necesario que el accionador de barrera de paso siga cumpliendo los requisitos previstos en el punto 4.3.4 de la norma EN 12604: 2000.

• El sistema de equilibrado del mástil debe controlarse al menos 2 veces por año, preferentemente en cada cambio de estación.

En el momento de tener que realizar el mantenimiento, siga estos controles y sustituciones:

- 1 Desconecte cualquier fuente de alimentación eléctrica.
- 2 Compruebe las condiciones de todos los materiales que componen el sistema de automatización, controlando especialmente los fenómenos de corrosión y oxidación de las piezas de la estructura; sustituya las piezas que no sean lo suficientemente seguras.
- 3 Asegúrese de que las uniones realizadas mediante tornillos estén bien apretadas (en particular, las del muelle de equilibrado).
- 4 Compruebe que no haya holgura entre la palanca de equilibrado y el eje de salida. En su caso, enrosque a fondo el tornillo central.
- 5 Lubrique la cabeza articulada del muelle de equilibrado y la grapa inferior.
- 6 En las versiones M7BAR y L9BAR, compruebe que el bloqueo entre los dos segmentos del mástil sea perfecto. Si fuera preciso, apriete los tornillos ajustadores de presión.
- 7 Coloque el mástil en posición vertical y compruebe que el paso entre las espiras del muelle de equilibrado sea constante sin que se produzcan deformaciones.
- 8 Desbloquee el sistema y compruebe el correcto equilibrado del mástil y si existen posibles obstáculos durante la operación manual de cierre y apertura.
- 9 Vuelva a bloquear el sistema y aplique el procedimiento de ensayo.
- 10 **Control de la protección contra el peligro de elevación:** en los sistemas de automatización con movimiento vertical, es necesario

comprobar que no existan peligros de elevación. Dicha prueba puede realizarse de la siguiente manera: cuelgue a la mitad del mástil un peso de 20 kg (por ejemplo, una bolsa de arena), accione un movimiento de apertura y compruebe que, durante dicho movimiento, el mástil no supere la altura de 50 cm desde su posición de cierre. Si el mástil superara dicha altura, habrá que reducir la fuerza del motor (véase el capítulo 6, Tabla 7).

**11** Si se han prevenido las situaciones peligrosas causadas por el movimiento del mástil limitando la fuerza de impacto, habrá que medir la fuerza de acuerdo con cuanto previsto por la norma EN 12445. Si el control de la “fuerza del motor” se utilizara como una ayuda para el sistema a fin de reducir la fuerza de impacto, pruebe y busque la regulación que dé los mejores resultados.

**12 Control de la eficiencia del sistema de desbloqueo:** coloque el mástil en posición de cierre y desbloquee manualmente el motorreductor (véase el apartado 3.6), comprobando que se efectúe sin problemas. Compruebe que la fuerza manual para abrir el mástil no supere 200 N (20 kg aprox.); la fuerza se mide de forma perpendicular al mástil y a 1 m del eje de rotación. Por último, compruebe que la llave que sirve para el desbloqueo manual esté disponible en el sistema de automatización.

**13 Control del sistema de desconexión de la alimentación:** utilizando el dispositivo de desconexión de la alimentación y desconectando las baterías compensadoras, compruebe que todos los leds presentes en la central estén apagados y que, al enviar un mando, el mástil quede detenido. Compruebe la eficacia del sistema de bloqueo para evitar la conexión no intencionada o no autorizada.

<b>Fecha</b>	<b>Descripción de la operación efectuada</b> <small>(Descripción de los controles, regulaciones, reparaciones, modificaciones, etc.)</small>	<b>Firma del Técnico</b>	<b>Firma del Dueño</b>
	<input type="checkbox"/> Se han llevado a cabo todas las etapas previstas en el plan de mantenimiento		



## Zusammenfassung

<b>1 - ALLGEMEINE HINWEISE: SICHERHEIT - INSTALLATION - GEBRAUCH</b> . . . . .	1
<b>2 - PRODUKTDESCHEIBUNG UND EINSATZ</b> . . . . .	3
<b>3 - INSTALLATION</b> . . . . .	3
3.1 - Überprüfungen vor der Installation . . . . .	3
3.2 - Einsatzgrenzen des Produkts . . . . .	3
3.2.1 - Produktlebensdauer . . . . .	3
3.3 - Vorarbeiten vor der Installation . . . . .	4
3.3.1 - Festlegen des Schemas, nach dem jede Komponente der Anlage positioniert wird . . . . .	4
3.3.2 - Festlegen des Verlaufs der Anschlusskabel . . . . .	4
3.3.3 - a) - Die Ausgleichsfeder in Bezug auf das Gewicht des mit den vorgesehenen Zubehörteilen ausgestatteten Schrankenbaums positionieren. b) - Die Schließrichtung des Schrankenbaums einstellen: rechts oder links vom Motor . . . . .	4
3.4 - Befestigung des Schrankenhebers . . . . .	4
3.4.1 - Wenn die Auflagefläche besteht . . . . .	4
3.4.2 - Wenn die Auflagefläche nicht besteht . . . . .	5
3.5 - Installation des Schrankenbaums und der vorgesehenen Zubehörteile . . . . .	5
3.5.1 - Zusammenbau der Halterung für den Schrankenbaum . . . . .	5
3.5.2 - Zusammenbau des aus einem einzigen Teil bestehenden Schrankenbaums, in voller Länge oder gekürzt . . . . .	5
3.5.3 - Zusammenbau des aus zwei Teilen bestehenden Schrankenbaums, in voller Länge oder gekürzt . . . . .	6
3.5.4 - Installation der für den Schrankenbaum vorgesehenen Zubehörteile . . . . .	6
3.6 - Manuelles Blockieren und Entriegeln des Schrankenhebers . . . . .	6
3.6.1 - Wie der Schlosszylinder für die manuelle Entriegelung/ Sperrung bewegt wird . . . . .	6
3.7 - Einstellung der mechanischen Endanschläge . . . . .	6
3.8 - Ausgleich des Schrankenbaums . . . . .	6
3.8.1 - Ausgleich des Schrankenbaums M3BAR / M5BAR / M7BAR . . . . .	6
3.8.2 - Ausgleich des Schrankenbaums L9BAR . . . . .	6
<b>4 - ELEKTRISCHE ANSCHLÜSSE</b> . . . . .	6
4.1 - Beschreibung der elektrischen Anschlüsse . . . . .	6
4.2 - Ersteinschaltung und Prüfung der Anschlüsse . . . . .	7
4.3 - Bereits programmierte Funktionen . . . . .	7
4.4 - Erlernung der angeschlossenen Vorrichtungen . . . . .	7
4.5 - Erlernung der Öffnungs- und Schließ-Positionen . . . . .	7
4.6 - Prüfung der Schrankenbewegung . . . . .	8
4.7 - Anschluss eines Funkempfängers . . . . .	8
4.8 - Anschluss Schrankenlichter (optionales Zubehörteil) . . . . .	8
4.9 - Anschluss led-Blinkleuchte Mod. XBA7 oder led-Ampel Mod. XBA8 (optionale Zubehörteile) . . . . .	8
4.10 - Anschluss sonstiger Vorrichtungen . . . . .	8
4.10.1 - Programmierereinheit Oview . . . . .	8
4.10.2 - Pufferbatterie Mod. PS224 (Zubehörteil) . . . . .	8
4.10.3 - System Solemyo (Photovoltaik-Versorgung) . . . . .	8
<b>5 - ABNAHME UND INBETRIEBSETZUNG</b> . . . . .	9
5.1 - Abnahme . . . . .	9
5.2 - Inbetriebsetzung . . . . .	9
<b>6 - PROGRAMMIERUNG DER STEUERUNG</b> . . . . .	10
6.1 - Programmierung erstes Niveau (ON-OFF) . . . . .	10
6.2 - Programmierung zweites Niveau (einstellL9BARe Parameter) . . . . .	10
<b>7 - WEITERE AUSKÜNFTE</b> . . . . .	12
7.1 - Vollständiges Löschen des Speichers der Steuerung . . . . .	12
7.2 - Weitere Funktionen . . . . .	12
7.3 - Vorrichtungen zufügen oder entfernen . . . . .	13
7.3.1 - Eingang BlueBus . . . . .	13
7.3.2 - Lichtschranken . . . . .	13
7.3.3 - Digitales Codeschloss MOTB und Proximity-Lesegerät für Transponder-Cards MOMB . . . . .	13
7.3.4 - Eingang STOPP . . . . .	13
7.4 - Diagnose . . . . .	14
7.4.1 - Signalisierungen der Steuerung . . . . .	14
7.4.2 - Signalisierungen der Blinkleuchte . . . . .	16
7.5 - Loop Detector . . . . .	16
7.5.1 - Funktionsweise . . . . .	16
7.5.2 - Installation . . . . .	16
7.6 - Modus Master - Slave . . . . .	18
7.6.1 - Installation und elektrische Anschlüsse . . . . .	18
<b>8 - WAS TUN, WENN... (Leitfaden zum Lösen von Problemen)</b> . . . . .	19
• <b>Entsorgung des Produktes</b> . . . . .	19
• <b>Technische merkmale des Produkts</b> . . . . .	20
• <b>Konformitätserklärung: Anlage I</b> (herausnehmbare Anlage) . . . . .	21
• <b>Bedienungsanleitung</b> (herausnehmbare Anlage) . . . . .	23
• <b>Wartungsplan</b> (herausnehmbare Anlage) . . . . .	25
<b>DARSTELLUNGEN</b> . . . . .	I - XIX

Die folgenden Hinweise wurden direkt aus den geltenden Normen übernommen und sind soweit möglich auf das betreffende Produkt anwendbar.

## 1 ALLGEMEINE HINWEISE: SICHERHEIT - INSTALLATION - GEBRAUCH

### 1.1 - Sicherheitshinweise

**ACHTUNG Wichtige Sicherheitshinweise. Halten Sie alle Anweisungen strikt ein. Eine unkorrekte Installation kann schwerwiegende Schäden verursachen**

**ACHTUNG Wichtige Sicherheitshinweise. Die Sicherheit von Personen ist nur gewährleistet, wenn die folgenden Anweisungen eingehalten werden. Bewahren Sie diese Anleitung gut auf**

- Vor der Installation anhand der „Technischen Daten des Geräts“ prüfen, ob dieses Gerät für die betreffende Automatisierung geeignet ist. Das Gerät NICHT installieren, falls es nicht dafür geeignet ist
- Das Gerät darf erst verwendet werden, nachdem es wie im Abschnitt „Abnahmeprüfung und Inbetriebnahme“ beschrieben in Betrieb genommen wurde

**ACHTUNG Gemäß der aktuellen europäischen Gesetzgebung muss eine Automatisierung die harmonisierten Normen der geltenden Maschinenrichtlinie erfüllen, die es erlauben, eine Erklärung über die vermutliche Konformität der Automatisierung auszustellen. Daher müssen der Anschluss an das Stromnetz, die Abnahmeprüfung, Inbetriebsetzung und die Wartung des Geräts von einem Fachbetrieb ausgeführt werden**

- Vor den weiteren Installationsarbeiten des Geräts sicherstellen, dass das gesamte zu verwendende Material in einwandfreiem Zustand und für den Bestimmungszweck geeignet ist
  - Das Gerät darf nicht von Personen (einschließlich Kindern) mit eingeschränkten physischen, sensorischen oder geistigen Fähigkeiten oder mangelnder Erfahrung bzw. Kenntnis bedient werden
  - Kinder dürfen nicht mit dem Gerät spielen
  - Erlauben Sie es Kindern nicht, mit den Befehleinrichtungen dieses Geräts zu spielen. Die Fernbedienungen dürfen nicht in die Hand von Kindern gelangen
- ACHTUNG** Um alle Gefahren im Zusammenhang mit einer unvorhergesehenen Wiedereinschaltung des Schutzschalters zu verhindern, darf dieses Gerät nicht über eine externe Schaltvorrichtung (z. B. eine Zeitschaltuhr) stromversorgt oder an einen Stromkreis angeschlossen werden, der regelmäßig ein- oder ausgeschaltet wird

- Im Stromanschluss der Anlage muss eine Abschaltvorrichtung (nicht im Lieferumfang enthalten) mit einem Öffnungsabstand der Kontakte vorgesehen werden, der eine vollständige Abschaltung gemäß der Bedingungen von Überspannungskategorie III ermöglicht
- Das Gerät bei der Installation vorsichtig handhaben und Quetschungen, Stöße, Herunterfallen sowie den Kontakt mit Flüssigkeiten jeder Art vermeiden. Das Gerät nicht in der Nähe von Wärmequellen positionieren und es keinen offenen Flammen aussetzen. All diese Handlungen können das Gerät beschädigen oder Ursache für Störungen oder Gefahrensituationen sein. In diesen Fällen die Installation unverzüglich abbrechen und den Kundendienst kontaktieren
- Der Hersteller haftet nicht für Vermögens-, Personen- oder Sachschäden, die durch Nichtbeachtung der Montageanweisungen entstehen. In diesen Fällen ist die Garantie für Materialfehler ausgeschlossen
- Der A-bewertete Schalldruckpegel ist geringer als 70 dB(A)
- Kinder dürfen Reinigungs- und Wartungsarbeiten, die vom Anwender auszuführen sind, nur erledigen, wenn sie von einer erwachsenen Person beaufsichtigt werden
- Das Gerät vor Arbeiten an der Anlage (Wartung, Reinigung) immer erst von der Stromversorgung trennen
- Prüfen Sie die Anlage regelmäßig auf eventuelle Ungleichgewichte, Abnutzungserscheinungen und Schäden insbesondere von Kabeln, Federn und Halterungen. Verwenden Sie das Gerät nicht, wenn eine Reparatur oder Einstellung erforderlich ist, da eine unkorrekte Installation oder ein nicht ordnungsgemäßer Gewichtsausgleich der Automatisierung zu Verletzungen führen kann
- Das Verpackungsmaterial des Geräts muss in Übereinstimmung mit den örtlichen Vorschriften entsorgt werden
- Halten Sie alle anwesenden Personen von der Automatisierung fern, wenn diese über die Steuerelemente bewegt wird
- Während der Ausführung der Bewegung die Automatisierung kontrollieren und Personen solange fernhalten, bis die Bewegung abgeschlossen ist
- Betätigen Sie das Produkt nicht, wenn in der Nähe Personen an der Automatisierung arbeiten; trennen Sie die Vorrichtung vom Stromnetz, bevor solche Arbeiten ausgeführt werden
- Wenn das Netzkabel beschädigt ist, muss es vom Hersteller, vom technischen Kundendienst oder von einer Person mit einer vergleichbaren Qualifikation ersetzt werden, um jede Gefährdung auszuschließen

### 1.2 - Hinweise zur Installation

- Vor dem Einbau des Antriebsmotors sicherstellen, dass alle mechanischen Komponenten in einem technisch einwandfreien Zustand sind, sich korrekt im Gleichgewicht befinden und die Automatisierung vorschriftsgemäß bedient werden kann
- Sicherstellen, dass die Bedienelemente ausreichenden Abstand zu den Bewegungsteilen haben und eine direkte Sicht erlauben. Sofern kein Schlüsselschalter benutzt wird, müssen die Bedienelemente auf einer Mindesthöhe von 1,5 m montiert werden und dürfen nicht zugänglich sein

DE

- Vergewissern Sie sich, falls die Öffnungsbewegung von einem Brandschutzsystem kontrolliert wird, dass etwaige Fenster mit einer Öffnung über 200 mm zuvor mithilfe einer Steuerung geschlossen werden
- Jede Form des Einklemmens zwischen sich bewegenden und festen Teilen ist bei den Bewegungen vorherzusehen und zu vermeiden
- Bringen Sie das Etikett für die Bedienung von Hand dauerhaft in der Nähe des Elements an, das die Bewegung selbst erlaubt
- Nach dem Einbau des Antriebsmotors sicherstellen, dass der gesamte Mechanismus, das Schutzsystem und die manuellen Bedienvorgänge ordnungsgemäß funktionieren

### 1.3 - Recommandations particulières concernant les Directives Européennes applicables au produit

#### • Bauprodukte-Richtlinie:

Besondere Hinweise für dieses Produkt gemäß der Bauprodukte-Richtlinie 305/2011:

- Die vollständige Installation dieses Produkts, wie in diesem Bedienungshandbuch und für einige Verwendungstypen beschrieben (beispielsweise mit Ausnahme der ausschließlichen Verwendung für Fahrzeuge), kann dazu führen, dass dieses Gerät in den Anwendungsbereich der Verordnung 305/2011 und der entsprechenden harmonisierten Norm EN 13241-1 fällt.

- Im Absatz 1.3.1 „Installationskriterien und besondere Hinweise in Bezug auf die grundlegenden Anforderungen“ sind alle Installationskriterien angegeben, die erforderlich sind, damit das Produkt den wichtigsten Anforderungen der Verordnung 305/2011 entspricht. Die Person, die die Installation vornimmt, muss sicherstellen und prüfen, dass alle diese Kriterien streng eingehalten werden.

- Falls die Straßensperre unter Nichtbeachtung einer oder mehrerer dieser Kriterien verwendet oder installiert wird, können diese Anforderungen gegebenenfalls nicht gewährleistet werden. **Die Verwendung des Produkts in diesen Situationen ist solange untersagt, bis die Person, die die Installation vorgenommen hat, die Einhaltung der von der Richtlinie vorgesehenen Auflagen und Anforderungen überprüft hat;** in diesem Fall muss das auf dem Produkt angebrachte Etikett unverzüglich entfernt werden und die EG-Konformitätserklärung des Anhangs I dieses Handbuchs darf nicht benutzt werden. Demzufolge wird die Person, die die Installation vornimmt, ihrerseits zum Hersteller des Produkts „Automatischer Schrankenbaum“ und ist verpflichtet, die Bestimmungen der Verordnung 305/2011 und der harmonisierten Norm EN 13241-1 einzuhalten. In diesem Fall muss die Straßensperre als „unvollständige Maschine“ eingestuft werden und es kann die Konformitätserklärung des Anhangs II verwendet werden (die zum integralen Bestandteil der technischen Unterlagen wird).

#### • Maschinenrichtlinie:

- Im Absatz 1.3.1 „Installationskriterien und besondere Hinweise in Bezug auf die grundlegenden Anforderungen“ sind alle Installationskriterien angegeben, die erforderlich sind, damit das Produkt den wichtigsten Anforderungen der Maschinenrichtlinie entspricht. Die Person, die die Installation ausführt, ist dazu verpflichtet, die genaue Einhaltung aller dieser Kriterien zu kontrollieren und zu gewährleisten.

- Falls die Straßensperre unter Nichtbeachtung einer oder mehrerer dieser Kriterien verwendet oder installiert wird, können diese Anforderungen gegebenenfalls nicht gewährleistet werden. **Die Verwendung des Produkts unter diesen Umständen ist solange verboten, bis die Person, die die Installation vorgenommen hat, die Einhaltung der von der Richtlinie vorgesehenen Auflagen und Anforderungen überprüft hat;** in diesem Fall darf nicht die EG-Konformitätserklärung: Anhang I benutzt werden. Demzufolge wird die Person, die die Installation vornimmt, ihrerseits zum Hersteller des Produkts „Automatische Schranke“ und ist verpflichtet, die Bestimmungen der Maschinenrichtlinie einzuhalten. Der Hersteller ist zur Erstellung einer Risikoanalyse verpflichtet, die auch die Liste der wesentlichen Sicherheitsanforderungen, angeführt in „Anlage I der Maschinenrichtlinie“, und die Angabe der jeweils angewendeten Lösungen umfasst. Die Risikoanalyse ist integraler Bestandteil der „Technischen Dokumentation“ der Automatisie-

rung. Sie muss von einem Fachmonteur verfasst sein. Es kann die „Konformitätserklärung“ des Anhangs II verwendet werden, die von jener Person zu erstellen ist, welche die Installation der Straßensperre ausführt.

#### Besondere Hinweise zur Eignung dieses Produkts in Bezug auf die Maschinenrichtlinie - zu beachten, wenn der Monteur zum Hersteller des Produkts wird.

Die Straßensperre wird als „unvollständige Maschine“ auf den Markt gebracht und ist daher für den Einbau in eine Maschine bzw. für den Zusammenbau mit anderen Maschinen konzipiert, um so „eine Maschine“ im Sinne der Maschinenrichtlinie - nur in Kombination mit anderen Bauteilen und in den im vorliegenden Bedienungshandbuch beschriebenen Modalitäten - zu bilden. Wie von der Maschinenrichtlinie vorgesehen, wird darauf hingewiesen, dass die Inbetriebnahme des oben genannten Produktes erst gestattet ist, nachdem die Maschine, in die dieses Produkt eingegliedert ist, vom Maschinenhersteller als konform mit der Maschinenrichtlinie ausgewiesen und erklärt worden ist.

#### • „Niederspannungsrichtlinie“:

Besondere Hinweise zur Gebrauchstauglichkeit dieses Produkts in Bezug auf die Niederspannungsrichtlinie.

Dieses Produkt entspricht bei bestimmungsgemäßer Verwendung und Nutzung in der vorgesehenen Konfiguration gemäß vorliegendem Handbuch sowie in Kombination mit den im Produktkatalog von NICE S.p.A. enthaltenen Teilen den Anforderungen der Niederspannungsrichtlinie.

Bei Verwendung des Produkts in anderer Konfiguration bzw. mit anderen, nicht vorgesehenen Komponenten, kann die Einhaltung dieser Anforderungen nicht gewährleistet werden; die Verwendung des Produkts ist unter diesen Umständen solange verboten, bis die Person, die die Installation vorgenommen hat, die Einhaltung der von der Richtlinie vorgesehenen Auflagen und Anforderungen sicherstellt.

#### • Richtlinie zur „elektromagnetischen Verträglichkeit“:

Besondere Hinweise zur Gebrauchstauglichkeit dieses Produkts in Bezug auf die Richtlinie zur elektromagnetischen Verträglichkeit.

Dieses Produkt wurde Tests zur elektromagnetischen Verträglichkeit unter schwierigsten Anwendungsbedingungen unterzogen, und zwar in den von diesem Handbuch vorgesehenen Konfigurationen und in Kombination mit Teilen, die im Produktkatalog von Nice S.p.A. enthalten sind.

Bei Verwendung des Produkts in anderer Konfiguration bzw. mit anderen, nicht vorgesehenen Teilen kann die elektromagnetische Verträglichkeit gegebenenfalls nicht gewährleistet werden; die Verwendung des Produkts ist unter diesen Umständen solange verboten, bis die Person, die die Installation vorgenommen hat, die Einhaltung der von der Richtlinie vorgesehenen Auflagen und Anforderungen sicherstellt.

#### 1.3.1 - Besondere Hinweise in Bezug auf die für dieses Produkt anwendbaren Europäischen Richtlinien

Dieses Produkt entspricht bei ordnungsgemäßer Installation den grundlegenden Anforderungen der Verordnung 305/2011 gemäß den Bestimmungen der harmonisierten Norm EN 13241-1, wie sie aus **Tabelle 1** und der EU-Maschinenrichtlinie hervorgehen.

**Achtung!** – Falls die Straßensperre ausschließlich für die Durchfahrt von Fahrzeugen genutzt wird, ist sie vom Anwendungsbereich der EN 13241-1 ausgeschlossen; in diesem Fall könnten einige der Anforderungen, die in Tabelle A angeführt sind, nicht obligatorisch sein. Die Durchfahrt gilt dann als „ausschließlich für Fahrzeuge bestimmt“, wenn für eine andere Nutzung (beispielsweise durch Fußgänger) ein ausdrückliches Verbot, z. B. durch angemessene Schilder, besteht; falls andere Nutzungen benötigt werden, muss dafür in unmittelbarer Nähe ausreichend Platz vorhanden sein.

#### • Freisetzung gefährlicher Substanzen:

Dieses Produkt enthält gemäß Norm EN 13241-1 und gemäß der auf der Homepage der Europäischen Union veröffentlichten Liste keine gefährlichen Substanzen und/oder setzt keine gefährlichen Substanzen frei.

**Besonderer Hinweis, um die Beibehaltung der Anforderung zu gewährleisten** – Es ist außerordentlich wichtig, dass auch andere bei der Installation verwendete Materialien, wie z. B. Stromkabel, dieser Anforderung entsprechen.

**TABELLE 1 - Grundsätzliche Eigenschaften für die EG-Markierung (gemäß Tabelle ZA.1 der Norm EN 13241-1)**

Grundsätzliche Merkmale	Punkt der Norm	Ergebnis
Wasserfestigkeit	4.4.2	NPD*
Abgabe gefährlicher Substanzen	4.2.9	Konform
Widerstand gegenüber der Windkraft	4.4.3	Konform
Wärmefestigkeit	4.4.5	NPD*
Wasserdurchlässigkeit	4.4.6	NPD*
Sichere Öffnung für Tore mit vertikaler Öffnung	4.2.8	Konform
Definition der Geometrie der Glasteile	4.2.5	NPD*
Mechanische Festigkeit und Stabilität	4.2.3	Konform
Bewegungskräfte für angetriebene Schließungen	4.3.3	Konform
Dauer der Wasserfestigkeit, der Wärmefestigkeit und der Luftdurchlässigkeit	4.4.7	NPD*

\* NPD = Nicht erklärte Leistung, wenn das Produkt keine Leistung bietet, zum Beispiel „Luftdurchlässigkeit“, oder wenn die Anforderung nicht anwendbar ist, zum Beispiel „Definition der Geometrie der Glasteile“.

**TABELLE 1a**

Schrankenbaum:	M3BAR	M5BAR	M7BAR	L9BAR
<b>Klasse</b>	4	4	2	2*
<b>Winddruck [Pa]</b>	≥ 1000	≥ 1000	≥ 450	≥ 450
<b>Max. Windgeschwindigkeit [Km/h]</b>	155	155	104	104
<b>Beschreibung</b>	Hurrikan	Hurrikan	Orkanartiger Sturm / Orkanischer Sturm	Orkanartiger Sturm / Orkanischer Sturm

\* Die Klasse 2 wurde durch die Verwendung des Zubehörteils Mod. WA11 erreicht

## • Widerstand gegen Windlast

In der **Tabelle 1a** ist der Widerstand des im Lieferumfang enthaltenen Schrankenbaums gegenüber dem Differenzdruck des Windes angeführt. Die Prüfungen wurden mit einem mit Pufferprofil ausgestatteten Schrankenbaum ausgeübt; andere Zubehörteile könnten die ausgesetzte Oberfläche erhöhen und so den Widerstand gegen Windlast verringern.

## • Sichere Öffnung für Schranken mit vertikaler Bewegung

Das Produkt erzeugt keine unkontrollierten Bewegungen und verursacht nicht das Herunterfallen des Schrankenbaums bei Störungen eines einzelnen Bauteils des Aufhängungs- oder Ausgleichssystems (Federn).

## Besondere Hinweise, um die Beibehaltung der Anforderungen zu gewährleisten:

- Führen Sie die Installation unter strenger Beachtung der in den Kapiteln 3 „Installation“ und 5 „Abnahme und Inbetriebnahme“ beschriebenen Anweisungen durch.  
- Vergewissern Sie sich, dass ein Wartungsplan erstellt wird, gemäß dem die im Kapitel „Wartungsplan“ (herausnehmbares Beiblatt am Ende des Handbuchs) vorgesehenen Arbeiten minutios ausgeführt werden.

## • Mechanische Festigkeit und Stabilität

Das Produkt ist so geplant und gebaut, dass die angewandten Kräfte, Aufprall und Verschleiß das Produkt bei normalem Gebrauch weder beschädigen noch seine mechanischen Leistungen beeinträchtigen.

**Hinweis:** Siehe die Angaben für die Anforderung „Sichere Öffnung für Schranken mit vertikaler Bewegung“.

## • Bewegungskräfte für motorbetriebene Schließungen

Die ausgeübten Betriebskräfte des Schrankenbaums werden in Bezug auf Quetsch- und Aufprallgefahren durch eine dieser drei Methoden geschützt:

**1 Für den Betrieb mit „Steuerung ohne Selbsthaltevorrückung“ (Totmannfunktion):** wie in EN 12453. In diesem Fall muss die Steuertaste in Sichtweite der Automatisierung positioniert sein. Wenn diese öffentlich zugänglich ist, muss verhindert werden, dass sie von jedermann betätigt werden kann, z. B. durch Verwendung eines Schlüsselschalters.

**2 Für den Betriebsmodus „Halbautomatisch“:** durch Kraftbegrenzung, wie in EN 12453.

**3 Für den Betriebsmodus „Automatisch“:** Durch Kraftbegrenzung, wie in EN 12453; in diesem Fall muss zumindest ein Fotozellenpaar (Lichtschranke), wie in Abb. 1 dargestellt, verwendet werden.

**Besonderer Hinweis, um die Beibehaltung der Anforderung zu gewährleisten:** Siehe die Angaben für die Anforderung „Sichere Öffnung für Schranken mit vertikaler Bewegung“.

## 2 PRODUKTDESCHEIBUNG UND EINSATZ

MBAR und L9BAR sind elektromechanische Schrankenheber für Wohnblocks und Industriegebäude; sie steuern die Öffnung und Schließung einer Ein-/Ausfahrt mit einer Breite zwischen 3 und Metern.

		INSTALLIERBARES ZUBEHÖR				
		Schrankenbaum	Gummi	Lichter	Abtropfbrett	Bewegliche Auflage
SCHALTSCHRANK	M3BAR	3 m	ja	ja	—	—
	M5BAR	4 m	ja	ja	ja (1 Teil)	ja
		5 m	ja	ja	—	—
	M7BAR	5 m	ja	ja	ja (2 Teile)	ja
		3+3 m	ja	ja	ja (2 Teile)	ja
		3+4 m	ja	ja	—	—
	L9BAR	3+4 m	ja	ja	ja (3 Teile)	ja
		4+4 m	ja	ja	ja (3 Teile)	ja
		4+5 m	ja	ja	—	—

**ACHTUNG! – Jeder andere Einsatz, auch unter anderen Bedingungen, als in dieser Gebrauchsanleitung aufgeführt, ist als unsachgemäß zu betrachten und somit verboten!**

Diese Schranken sind mit einem elektromechanischen Antrieb mit 24 V-Motor ausgestattet, mit einem integrierten Loop Detector für 2 Metallschleifen, mit elektrischem Endschalersystem und mit in den Deckel einbaubarer Blinkleuchte (optionales Zubehörteil). Diese beiden Modelle können als gegenüber liegende Schranken im Modus „Master-Slave“ installiert werden, um die Fläche einer Ein-/Ausfahrt mit einer Breite über 8 Metern abzudecken (siehe Abschnitt 7.5). Die Steuerung ist speziell dafür vorgerüstet, um an die Vorrichtungen des Systems Opera von Nice und des Solarspeisungssystem Solemyo angeschlossen zu werden (siehe Abschnitt 4.10.3).

Die Schranken funktionieren durch Strom und im Falle eines Ausfalls (Stromausfall) kann die manuelle Entriegelung des Schrankenbaums vorgenommen und dieser von Hand bewegt werden. Alternativ ist es möglich, die Pufferbatterie Modell PS224 zu nutzen (optionales Zubehörteil - siehe Abschnitt 4.10.2), das der Automatisierung garantiert, einige Bewegungen in den ersten Stunden des Stromausfalls auszuführen. Um diesen Zeitraum zu verlängern oder die Bewegungszahl zu erhöhen, muss die Funktion „Standby“ aktiviert werden (siehe Tabelle 6).

Wichtige Hinweise in Bezug auf die Konsultation der Gebrauchsanleitung  
- In dieser Gebrauchsanleitung bezieht sich der Begriff „Straßenschranke“ auf die beiden Produkte „MBAR“ und „L9BAR“.  
- Die in der Anleitung aufgeführten Zubehörteile sind optional.

## Liste der verfügbaren Zubehörteile:

XBA4 - Schrankenlichter M3BAR und M5BAR  
XBA5 - Schranke aus weiß lackiertem Aluminium, L. 5150 mm  
XBA6 - Schrankenlichter M7BAR

XBA7 - In den Deckel einsetzbare Led-Blinkleuchte  
XBA8 - In den Deckel einsetzbare Led-Ampel  
XBA9 - Universalgelenkverbindung  
XBA10 - Drehanschluss  
XBA11 - Gelenkkopf für Schranke  
WA11 - EinstellL9BARe Auflage für Schrankenbäume (obligatorisch für L9BAR)  
WA12 - Bewegliche Auflage  
WA13 - Abtropfbrett, L. 2000 mm  
XBA13 - Stoßschutzgummi-Set  
XBA14 - Schranke aus weiß lackiertem Aluminium, L. 4150 mm  
XBA15 - Schranke aus weiß lackiertem Aluminium, L. 3150 mm  
XBA16 - Fundamentplatte MBAR  
XBA17 - Fundamentplatte L9BAR  
XBA18 - Schrankelichter L9BAR

## 3 INSTALLATION

### 3.1 - Überprüfungen vor der Installation

Vor Arbeitsbeginn die Eignung des gewählten Modells und der für die Installation bestimmten Umgebung prüfen:

- Prüfen, ob das gesamte benutzte Material in bestem Zustand und für den Einsatz geeignet ist.
- Prüfen, ob es möglich ist, alle Anwendungslimits des Produkts einzuhalten (siehe Abschnitt 3.2).
- Prüfen, ob die zur Installation gewählte Umgebung mit dem Gesamtplatzbedarf des Produkts kompatibel ist (**Abb. 2**).
- Prüfen, ob die für die Installation des Schrankenhebers gewählte Oberfläche solide ist und daher eine stabile Befestigung garantieren kann.
- Prüfen, ob der Bereich, in dem das Produkt befestigt wird, nicht überschwemmt werden kann; den Schrankenheber ggf. über dem Boden installieren.
- Prüfen, ob der Platz um den Schrankenheber eine leichte und sichere Ausführung der Handbewegungen ermöglicht.
- Prüfen, ob der Bewegungsverlauf des Schrankenbaums keine Hindernisse aufweist, die die Öffnungs- und Schließbewegungen untersagen.
- Prüfen Sie, ob jede Vorrichtung, die sie installieren wollen, in geschützter und stoßsicherer Position angebracht werden kann.

### 3.2 - Einsatzgrenzen des Produkts

Vor der Installation des Produkts muss geprüft werden, ob alle Werte, die im Kapitel „Technische Produkteigenschaften“ aufgeführt sind, mit der vorgesehenen Nutzung übereinstimmen.

- Prüfen, ob die geschätzte Dauer (siehe Abschnitt 3.2.1) mit dem vorgesehenen Zweck kompatibel ist.
- Prüfen, ob es möglich ist, alle Einschränkungen, Bedingungen und Hinweise dieses Handbuchs einzuhalten.

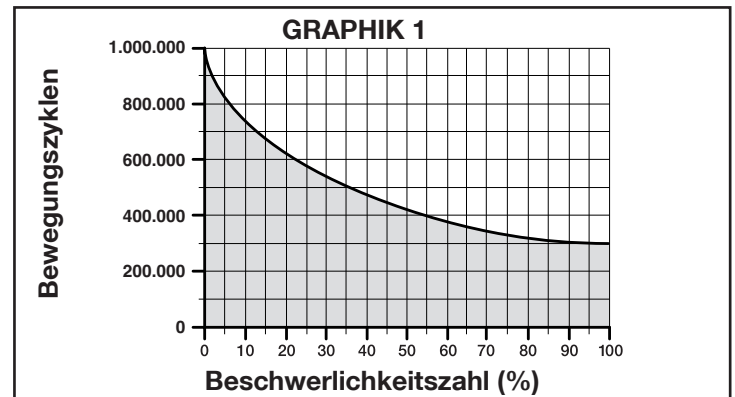
#### 3.2.1 - Produktlebensdauer

Die Lebensdauer ist die durchschnittliche Betriebsdauer des Produkts. Der Wert der Lebensdauer wird stark durch den Index der ausgeführten Bewegungen beeinflusst: d.h., die Summe aller Faktoren, die zum Verschleiß des Produkts beitragen (siehe **Tabelle 2**).

Gehen Sie wie folgend vor, um die wahrscheinliche Dauer Ihrer Automatisierung zu bestimmen:

- 01.** Die Werte der Punkte laut **Tabelle 2** hinsichtlich der Bedingungen in der Anlage summieren;
- 02.** In der **Graphik 1** wird ab dem soeben gefundenen Wert eine vertikale Linie gezogen, bis die Kurve überkreuzt wird; von diesem Punkt aus wird eine waagrechte Linie gezogen, bis die Linie der „Bewegungszyklen“ überkreuzt wird. Der bestimmte Wert ist die **geschätzte Lebensdauer** Ihres Produkts.

Die in der Graphik aufgeführten Lebensdauerwerte werden nur durch die strenge Einhaltung des Wartungsplans erhalten, siehe Kapitel „Wartungsplan“. Die Schätzung der Lebensdauer erfolgt auf der Basis der Projektberechnungen und den Ergebnissen von Tests, die an Prototypen durchgeführt wurden. Da es sich um eine Schätzung handelt, stellt sie keine ausdrückliche Garantie für die effektive Lebensdauer des Produkts dar.



**Beispiel der Lebensdauerkalkulierung des Schrankenhebers (Bezugnahme auf Tabelle 2 und Graphik 1):** M5BAR mit beweglicher Auflage (Beschwerlichkeitszahl gleich 10%) - Geschwindigkeitsstufe 3 (Beschwerlichkeitszahl gleich 10%) - Bremsung (Beschwerlichkeitszahl gleich 10%):  
**Beschwerlichkeitszahl insgesamt = 30%**  
**Die geschätzte Dauer beträgt zirka 550.000 Bewegungszyklen.**

TABELLE 2	Beschwerlichkeitszahl			
	M3BAR	M5BAR	M7BAR	L9BAR
Gelenkkopf für Schranke (XBA11)	20	15	—	—
Geschwindigkeitsstufe 3	15	10	15	15
Geschwindigkeitsstufe 2	0	0	10	10
Unterbrechung der Bewegung durch Lichtschranke > 10%	15	10	15	15
Unterbrechung der Bewegung durch Halt > 10%	10	10	15	15
Bewegliche Auflage (WA12)	—	10	10	10
Bremung	10	10	10	10
Kraft gleich 7 oder 8	10	10	10	10
Kraft gleich 5 oder 6	5	5	5	5
Salzhaltige Umgebung	10	10	10	10
Vorhandensein von Staub oder Sand	5	5	5	5
Abtropfbrett	—	5	5	5
Umgebungstemperatur über 40°C oder unter 0°C	5	5	5	5

### 3.3 - Vorarbeiten vor der Installation

#### 3.3.1 - Festlegen des Schemas, nach dem jede Komponente der Anlage positioniert wird

Die ungefähre Position festlegen, in der jede für die Anlage vorgesehene Komponente installiert werden soll, indem man sich auf das in **Abb. 1** gezeigte Standard-schema bezieht. Im Schema sind alle in der Produktverpackung enthaltenen Komponenten aufgeführt (**Abb. 3**): **[a]** Straßenschranke mit eingebauter Steuerung; **[b]** Schrankenbaumhalterung und -abdeckung; **[c]** 2 Boxen für Lichtschranken; **[d]** Aluminiumeinsatz 300 mm.; **[e]** Verschluss für Schrankenbaum; 2 Gelenkverbindungen für Stoßschutzgummi; 2 Gelenkverbindungen ohne Stoßschutzgummi; **[f]** Schlüssel zur manuellen Entriegelung und Verriegelung des Schrankenbaums; Schlüssel für das Schloss der Abdeckung; Metallkleinteile (Schrauben, Scheiben, usw.); **[g]** Fundamentplatte; **[h]** 4 Befestigungsbügel; **[i]** Aluminiumeinsatz 700 mm..

#### 3.3.2 - Festlegen des Verlaufs der Anschlusskabel

**ACHTUNG!** – Bringen Sie die Enden der Rohrleitungen zum Durchführen der Elektrokabel in der Nähe der Stellen an, wo die verschiedenen Komponenten befestigt werden sollen. **Anmerkung:** Die Rohrleitungen sollen die Elektrokabel schützen und unbeabsichtigte Schäden, zum Beispiel durch Stöße, verhindern. Zur Vorbereitung der für Ihre Anlage notwendigen Elektrokabel, beziehen Sie sich bitte auf die **Abb. 1** und die „Tabelle 3 - Technische Eigenschaften der Stromkabel“.

#### 3.3.3 - a) - Die Ausgleichsfeder in Bezug auf das Gewicht des mit den vorgesehenen Zubehörteilen ausgestatteten Schrankenbaums positionieren. b) - Die Schließrichtung des Schrankenbaums einstellen: rechts oder links vom Motor.

Der Schrankenheber verlässt das Werk mit den folgenden Einstellungen:  
 – Ausgleichsfeder in **Bohrungen verankert, die nicht endgültig sind**.  
 – Schließbewegung **des nach links ausgerichteten Schrankenbaums**.  
 Diese Einstellungen sind willkürlich; demnach ist es erforderlich, die folgenden Kontrollen durchzuführen, um zu verstehen, ob sie verändert werden müssen, oder nicht (also ob die Verankerung in andere Bohrungen der Feder auf dem Ausgleichshebel und der Platte am Fuß des Schrankenhebers versetzt werden muss, oder nicht).  
 • Wenn die Installation eines einzelnen Zubehörteils vorgesehen ist, im **Feld „A“** der **Tabelle 4** Ihr Schrankenheber-Modell, die vorgesehene Länge des Schrankenbaums und zuletzt das Zubehörteil ausfindig machen, das auf den Schrankenbaum montiert werden soll; daraufhin bei diesen Daten den den Bohrungen, die für die Verankerung der Feder gewählt werden müssen, entsprechenden Buchstaben und die entsprechende Zahl ablesen;  
 • Wenn die Installation mehrerer Zubehörteile vorgesehen ist, im **Feld „B“** der **Tabelle 4** Ihr Schrankenheber-Modell, die vorgesehene Länge des Schrankenbaums und zuletzt die Art und die Anzahl der Zubehörteile ausfindig machen, die auf den

Schrankenbaum montiert werden sollen; daraufhin die mit den vorgesehenen Zubehörteilen in Verbindung stehenden Zahlen in Klammern addieren. Zuletzt das Ergebnis der Summe verwenden, um im unteren Teil des Felds „B“ den den Bohrungen, die für die Verankerung der Feder gewählt werden müssen, entsprechenden Buchstaben und die entsprechende Zahl ablesen.

- Wenn die Schließung des Schrankenbaums rechts vom Motor erfolgen soll, ist es notwendig, die Verankerung der Feder in eine der Bohrungen auf dem anderen Arm des Ausgleichshebels zu versetzen.

Um die Verankerung der Feder in gegenüber den werkseitigen Einstellungen andere Bohrungen zu versetzen, wie folgt vorgehen:

01. Den oberen Deckel des Schrankenhebers entfernen (**Abb. 4**).
02. Die 2 Schrauben abschrauben, die die Schranktür (**Abb. 5**) befestigen.
03. – (M3BAR - M5BAR - M7BAR) Die in **Abb. 6** (Phase a) gezeigte Mutter gegen den Uhrzeigersinn drehen; daraufhin die Ausgleichsfeder von Hand im Uhrzeigersinn drehen, um ihre Spannung zu lösen (**Abb. 6** - Phase b).  
 – (L9BAR) Die in **Abb. 7** (Phase a) gezeigte Mutter im Uhrzeigersinn drehen, um die Spannung der Ausgleichsfeder zu lösen.
04. Den Bolzen abschrauben, der die Feder am Ausgleichshebel verankert (M3BAR - M5BAR - M7BAR: **Abb. 6** - Phase c; L9BAR: **Abb. 7** - Phase b).
05. – (M3BAR - M5BAR) Den Bügel aushaken, der die Feder an der am Fuß des Schrankenhebers positionierten Lochplatte verankert (**Abb. 6** - Phase d).  
 – (M7BAR - L9BAR) Den Bolzen abschrauben, der die Feder an der am Fuß des Schrankenhebers positionierten Lochplatte verankert (**Abb. 7** - Phase c).
06. Wenn man die Schließbewegung des Schrankenbaums auf der rechten Seite des Schrankenhebers einstellen möchte, den Untersetzungsgetriebemotor entriegeln (**Abb. 8** - siehe auch Abschnitt 3.6) und den Ausgleichshebel um 90° drehen (**Abb. 9**).
07. Mit Hilfe von **Tabelle 4** die neuen Bohrungen ausfindig machen, in die die beiden Enden der Feder eingehakt werden müssen.
08. – (M3BAR - M5BAR) Den Bügel der Feder an der am Fuß des Schrankenhebers positionierten Lochplatte verankern (**Abb. 10** - Phase a); daraufhin die Öse der Feder am Ausgleichshebel befestigen und den Bolzen fest einschrauben (**Abb. 10** - Phase b).  
 – (M7BAR - L9BAR) Die obere Öse der Feder am Ausgleichshebel befestigen und den Bolzen fest einschrauben (**Abb. 11** - Phase a); die untere Öse der Feder an der am Fuß des Schrankenhebers positionierten Lochplatte befestigen und den Bolzen fest einschrauben (**Abb. 11** - Phase b).
09. Wenn bei Punkt 06 der Untersetzungsgetriebemotor entriegelt worden ist, diesen wieder verriegeln (**Abb. 12**), siehe Abschnitt 3.6.

TABELLE 3 - Technische Merkmale der elektrischen Kabel (Abb.1)

Anschluss	Kabelart	Zulässige Höchstlänge
<b>A: Netzstromversorgung</b>	3 x 1,5 mm <sup>2</sup>	30 m ( <b>Anmerkung 1</b> )
<b>B: Kabel für BlueBus-Vorrichtungen</b>	2 x 0,5 mm <sup>2</sup>	20 m ( <b>Anmerkung 2</b> )
<b>C: Kabel Schlüsseltaster</b>	2 Kabel 2 x 0,25 mm <sup>2</sup> ( <b>Anmerkung 3</b> )	30 m
<b>Kabel Eingang Open</b>	2 x 0,25 mm <sup>2</sup>	30 m
<b>Kabel Eingang Close</b>	2 x 0,25 mm <sup>2</sup>	30 m
<b>Kabel für Blinkleuchte (Anmerkung 4) mit Antenne</b>	2 x 0,5 mm <sup>2</sup> Abschirmkabel RG58	30 m 15 m (unter 5 m empfohlen)
<b>Kabel für Meldeleuchte Schranke geöffnet (Anmerkung 4)</b>	2 x 0,5 mm <sup>2</sup>	30 m
<b>Schrankenlichter (Anmerkung 4)</b>	–	–
<b>Kabel Loop Detector</b>	1 x 1,5 mm <sup>2</sup> verdreht ( <b>Anmerkung 5</b> )	20 m verdreht ( <b>Anmerkung 5</b> )
<b>Kabel Master/Slave</b>	3 x 0,5 mm <sup>2</sup>	20 m

**ACHTUNG!** – Die verwendeten Kabel müssen der Installationsumgebung angepasst werden.

**Anmerkung 1** – Wenn das Versorgungskabel länger als 30 m ist, muss ein Kabel mit größerem Querschnitt benutzt (3 x 2,5 mm<sup>2</sup>) und eine Sicherheitserdung in der Nähe der Automatisierung installiert werden.

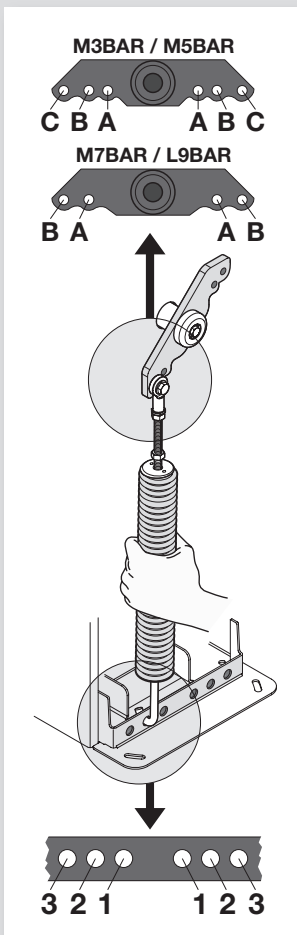
**Anmerkung 2** – Wenn das BlueBus-Kabel länger als 20 m bis maximal 40 m ist, muss ein Kabel mit größerem Querschnitt benutzt (2x1 mm<sup>2</sup>) werden.

**Anmerkung 3** – Diese 2 Kabel können durch 1 einziges Kabel ersetzt werden (4 x 0,5 mm<sup>2</sup>)

**Anmerkung 4** – Vor der Ausführung des Anschlusses prüfen, ob der Ausgang für die anzuschließende Vorrichtung programmiert ist (siehe Abschnitt 6.2 - Tabelle 8).

**Anmerkung 5** – Die beiden Enden, die aus der Kontaktschleife austreten, mindestens 20 Mal pro Meter verdrehen.

TABELLE 4



A	M3BAR		M5BAR			M7BAR	L9BAR
	2,65 m XBA15 (3,15 m) - 0,50 m	3,15 m XBA15 (3,15 m)	3,50 m XBA14 (4,15 m) - 0,65 m	4,15 m XBA14 (4,15 m)	5,15 m XBA5 (5,15 m)	7,33 m XBA15 + XBA14	9,33 m XBA14 + XBA5
XBA13	A 1	A 3	B 2	B 3	C 2	B 2	B 1
XBA13	A 1	A 3	B 2	B 3	C 2	B 2	B 1
XBA11	B 3	B 3	C 1	C 3			

B	M5BAR		M7BAR		L9BAR		
	3,50 m XBA14 (4,15 m) - 0,65 m	4,15 m XBA14 (4,15 m)	5,15 m XBA5 (5,15 m)	5,00 m XBA15+XBA15 (6,30 m) - 1,30 m	6,33 m XBA15 + XBA15	7,33 m XBA15 + XBA14	8,33 m XBA14 + XBA14
XBA13	(0)	(0)	(0)	(0)	(0)	(0)	(0)
XBA13	(1)	(1)	(1)	(1)	(1)	(1)	(1)
WA13	(1)	(1)	(2)	(1)	(1)	(2)	(2)
WA12	(5)	(4)	(4)	(3)	(3)	(3)	(3)

1) - Die Nummern in den Klammern in der Spalte summieren und dazu nur diejenigen auswählen, die zu den installierten Zubehörteilen gehören.

2) - Dann das Ergebnis der Summe benutzen, um die Befestigungsöffnungen der Klammer zu bestimmen.

0 ÷ 1 =	B 2	B 3	A 2	B 1	B 1	A 1	A 3
2 ÷ 7 =	B 3	C 1	A 2	B 2	B 2	A 2	B 1
		5 ÷ 6 =	C 2	A 3		5 ÷ 6 =	A 3

3.4 - Befestigung des Schrankenhebers

3.4.1 - Wenn die Auflagefläche besteht

- Den Schaltschrank des Schrankenhebers öffnen (Abb. 13);
- Den Schrankenheber auf die Befestigungsfläche legen und die Punkte anzeichnen, auf denen die Langlöcher befestigt werden (Abb. 14);
- Den Schrankenheber versetzen und die Oberfläche in den soeben angezeichneten Punkten durchbohren, dann 4 Spreizverankerungen einsetzen, die nicht mitgeliefert werden (Abb. 15);
- Den Schrankenheber korrekt platzieren und mit den dafür vorgesehenen Muttern und Scheiben sperren, die nicht mitgeliefert werden (Abb. 16).

3.4.2 - Wenn die Auflagefläche nicht besteht

- Die Fundamentgrube ausführen (\*) um die Fundamentplatte aufzunehmen;
- Die Kabelkanäle zum Durchführen der Elektrokabel vorbereiten (Abb. 17);
- Auf der Fundamentplatte werden 4 Bügel befestigt, auf die jeweils eine Mutter auf der oberen und unteren Seite der Platte gesetzt werden (Abb. 17). **Achtung** - Die untere Mutter muss bis zum Ende des Gewindebereichs eingeschraubt werden;
- Den Betonguss ausführen und vor dem Anziehen die Fundamentplatte eintauchen, die bündig zur Oberfläche, parallel zum Schrankenbaum und perfekt ausgeglichen platziert werden muss (Abb. 17). Warten, bis der Beton ganz hart ist, generell dauert das mindestens 2 Wochen;
- Die 4 oberen Muttern der Bügel entfernen;
- Den Schaltschrank des Schrankenhebers öffnen (Abb. 18);
- Den Schrankenheber korrekt platzieren und mit den dafür vorgesehenen Muttern und Scheiben sperren, die mit der Fundamentplatte geliefert werden und unter Punkt 04 entfernt wurden (Abb. 19).

(\*) Anmerkung - Die Befestigungsfläche muss perfekt flach und glatt sein. Wenn die Oberfläche aus Beton besteht, muss diese eine Stärke von mindestens 0,15 m haben und ausreichend mit Eisenkäfigen verstärkt sein. Das Volumen des Betons muss über 0,2 m³ sein (eine Stärke von 0,25 m entspricht 0,8 m²; d.h.

gleich einer Quadratbasis von zirka 0,9 m pro Seite). Die Befestigung auf Beton kann mit 4 Spreizverankerungen mit 12MA-Schrauben ausgeführt werden, die eine Zugfestigkeit von mindestens 400 kg haben. Wenn die Befestigungsfläche ein anderes Material aufweist, muss die Zusammensetzung bewertet und geprüft werden, ob die 4 Verankerungspunkte einer Belastung von mindestens 1000 kg widerstehen. Für die Befestigung werden 12MA-Schrauben verwendet.

3.5 - Installation des Schrankenbaums und der vorgesehenen Zubehörteile

3.5.1 - Zusammenbau der Halterung für den Schrankenbaum

- Die 2 Stecker in die vorgesehenen Sitze in der Ausgangsmotorenwelle einfügen (Abb. 20);
- Die Halterung an der Ausgangsmotorenwelle platzieren, in die Position „vertikaler Schrankenbaum“ ausrichten und mit den hierfür vorgesehenen geöffneten Grower Schrauben und Scheiben befestigen, kräftig anziehen (Abb. 21);
- Den Deckel des Schrankenbaums platzieren und teilweise mit den 6 mitgelieferten Schrauben befestigen (Abb. 22).

3.5.2 - Zusammenbau des aus einem einzigen Teil bestehenden Schrankenbaums, in voller Länge oder gekürzt.

Mögliche Längen:

- M3BAR: 2,65 m = XBA15 (3,15 m - 0,50 m = 2,65 m)  
3,15 m = XBA15 (3,15 m)
- M5BAR: 3,50 m = XBA14 (4,15 m - 0,65 m = 3,50 m)  
4,15 m = XBA14 (4,15 m)  
5,15 m = XBA5 (5,15 m)
- M7BAR: 5,15 m = XBA5 (5,15 m)

- Die beiden Gelenkverbindungen zusammensetzen (Abb. 23);
- An der gleichen Seite des Schrankenbaums die soeben zusammengesetzten Gelenkverbindungen einsetzen. Einen Gummihammer verwenden (Abb. 24);
- Die Aluminiumführung auf beiden Seiten leicht ölen (Abb. 25).

04. Dies wird auf beiden Schrankenbaumseiten ausgeführt: Das erste Stoßschutzgummiteil in den Schlitz stecken, bis zum Ende des Schrankenbaums; dann die Gelenkverbindung für Stoßschutzgummis einfügen (**Abb. 26**) und bei den anderen Teilen wiederholen;
05. Der Stoßschutzgummi kann etwa 1 cm von der Seite des Profils abstehen (**Abb. 27**):
- A)** Den Verschluss des Schrankenbaums einstecken und mit den zwei Schrauben sperren (**Abb. 28**);
- B)** Die beiden Gummideckel platzieren und einrasten (**Abb. 28**);
06. Den vollständigen Schrankenbaum in die Hülle des Schrankenträgers bis zum Anschlag einsetzen und kräftig mit den 4 Schrauben der Halterung einschrauben, die zuvor eingefügt wurden (**Abb. 29**).

### 3.5.3 - Zusammenbau des aus zwei Teilen bestehenden Schrankenbaums, in voller Länge oder gekürzt.

Mögliche Längen:

- M7BAR: 5,00 m = XBA15 (3,15 m - 1,30m = 1,85\*) + XBA15 (3,15 m)**  
**6,33 m = XBA15 (3,15 m) + XBA15 (3,15 m)**  
**7,33 m = XBA15 (3,15 m\*) + XBA14 (4,15 m)**  
**L9BAR: 7,33 m = XBA15 (3,15 m\*) + XBA14 (4,15 m)**  
**8,33 m = XBA14 (4,15 m) + XBA14 (4,15 m)**  
**9,33 m = XBA14 (4,15 m\*) + XBA5 (5,15 m)**

**(\*) - ACHTUNG! – Bei den aus zwei Teilen bestehenden Schrankenbäumen muss an der Aluminiumhalterung das kürzere Teil des Schrankenbaums befestigt werden. Daraufhin Punkt 02 des Verfahrens wie folgt abändern:**

01. Mod. M3BAR - M5BAR - M7BAR: Die Aluminiumsteckverbindung in ein Ende des kürzeren Stabs einsetzen und mit der mitgelieferten Schraube befestigen (**Abb. 23**).
02. Mod. L9BAR: Die Aluminiumsteckverbindung in ein Ende des kürzeren Stabs einsetzen und mit der mitgelieferten Schraube befestigen (**Abb. 24**).
03. Die Universalgelenkverbindung in die freien Seiten der beiden Schrankenbäume einsetzen. Auf die korrekte Ausrichtung der Gelenkverbindung achten, da sich die Schraubenköpfe auf der selben Seite der auf den Schrankenbäumen vorhandenen Bohrungen befinden müssen (**Abb. 30**);
04. Gleichmäßig auf die drei Schrauben der Gelenkverbindung einwirken und diese so ausschrauben, dass sich die Gelenkverbindung innerhalb der Schranken „ausdehnt“ (**Abb. 31**);
05. Die Aluminiumführung auf beiden Seiten leicht ölen (**Abb. 25**);
06. Dies wird auf beiden Schrankenbaumseiten ausgeführt: Das erste Stoßschutzgummiteil in den Schlitz stecken, bis zum Ende des Schrankenbaums; dann die Gelenkverbindung für Stoßschutzgummis einfügen (**Abb. 26**) und bei den anderen Teilen wiederholen;
07. Der Stoßschutzgummi kann etwa 1 cm von der Seite des Profils abstehen (**Abb. 27**):
- A)** Den Verschluss des Schrankenbaums einstecken und mit den zwei Schrauben sperren (**Abb. 28**);
- B)** Die beiden Gummideckel platzieren und einrasten (**Abb. 28**);
08. Den vollständigen Schrankenbaum in die Hülle des Schrankenträgers bis zum Anschlag einsetzen und kräftig mit den 6 Schrauben der Halterung einschrauben, die zuvor eingefügt wurden (**Abb. 29**).

### 3.5.4 - Installation der für den Schrankenbaum vorgesehenen Zubehörteile

Nach Installation des Schrankenbaums und des Stoßschutzgummis ist es, bevor weiter fortgefahren wird, wichtig, auch etwaige weitere Zubehörteile auf dem Schrankenbaum zu installieren, sofern diese vorgesehen sind. Für die Installation dieser Zubehörteile siehe die entsprechenden Bedienungsanleitungen.

### 3.6 - Manuelles Blockieren und Entriegeln des Schrankenhebers

Diese Verfahren müssen bei Stromausfall oder Betriebsstörungen ausgeführt werden.

Um den Schrankenheber manuell zu entriegeln oder zu sperren, den mitgelieferten Schlüssel einstecken und um 180° nach rechts oder nach links drehen (**Abb. 32**).

**WICHTIG! • Die Entriegelung und das Sperren dürfen nur erfolgen, wenn die Schranke steht und waagrecht ist. • Die manuelle Blockierung/Entriegelung kann auf beiden Seiten des Schrankenhebers ausgeführt werden, indem der Schlosszylinder bewegt wird (siehe Abschnitt 3.6.1).**

#### 3.6.1 - Wie der Schlosszylinder für die manuelle Entriegelung/ Sperrung bewegt wird

01. Den mitgelieferten Schlüssel einstecken und um 180° im Uhrzeigersinn drehen (**Abb. 33-a**);
02. Innerhalb des Kastens die „U“-förmige Klammer nach unten ziehen, die den Schlosszylinder sperrt (**Abb. 33-b**) und außerhalb des Kastens den Zylinder herausziehen (**Abb. 33-c**);
03. Auf der anderen Seite des Kastens, den vorhandenen Plastikdeckel entfernen (**Abb. 34-a**) und den Schlosszylinder in die vorbereitete Bohrung einsetzen (**Abb. 34-b**);
04. Zuletzt, innerhalb des Kastens, von unten nach oben die „U“-förmige Klammer einsetzen, um den Schlosszylinder zu sperren (**Abb. 34-c**).

### 3.7 - Einstellung der mechanischen Endanschläge

01. Den Antrieb manuell entriegeln: siehe Abschnitt 3.6;
02. Den Schrankenbaum von Hand eine vollständige Öffnung und Schließung ausführen lassen;
03. Dann auf die Schrauben der mechanischen Endanschläge einwirken (**Abb. 35 und 36**), um die waagrechte Ausrichtung des Schrankenbaums einzustellen, wenn die-

ser geschlossen ist, sowie die senkrechte Ausrichtung, wenn dieser geöffnet ist. 04. Zuletzt die Muttern gut anziehen.

### 3.8 - Ausgleich des Schrankenbaums

Das Verfahren zum Ausgleich des Schrankenbaums dient zur Bestimmung des besten Gleichgewichts zwischen dem **Gesamtgewicht** des mit den vorgesehenen Zubehörteilen ausgestatteten Schrankenbaums und der **Kraft**, die durch die Spannung der Ausgleichsfeder entgegengesetzt wird. Um zu prüfen, ob die Spannung der Feder optimal ist, oder nicht, um das Gewicht des Schrankenbaums und der etwaigen Zubehörteile ins Gleichgewicht bringen, wie folgt vorgehen.

#### 3.8.1 - Ausgleich des Schrankenbaums M3BAR / M5BAR / M7BAR

01. Den Antrieb manuell entriegeln: siehe Abschnitt 3.6;
02. Den Schrankenbaum von Hand auf zirka Hälfte seines Laufs bringen (45°) und loslassen. Wenn der Schrankenbaum dazu neigt, anzusteigen, muss die Federspannung reduziert werden, indem diese von Hand im Uhrzeigersinn gedreht wird (**Abb. 37-a**). Im Gegensatz dazu, wenn der Schrankenbaum dazu neigt, zu sinken, muss die Federspannung erhöht werden, indem diese von Hand gegen den Uhrzeigersinn gedreht wird (**Abb. 37-b**). Anmerkung - Der Wert der Unauswuchtung ist akzeptabel, wenn die notwendige Kraft zur Bewegung des Schrankenbaums\* in der Öffnung, Schließung und in allen anderen Positionen, die Hälfte des Werts des Nenndrehmoments nicht überschreitet (etwa gleich 1,5 kg für M3; 3,5 kg für M5 und 4,5 kg für M7, zirka 5 kg pro 1 m). [(\*) Kraft senkrecht zum Schrankenbaum gemessen und 1 m von der Drehachse].
03. Den Punkt 02 wiederholen und den Schrankenbaum bei zirka 20° und 70° platzieren. Wenn der Schrankenbaum in seiner Position bleibt, bedeutet das, dass sein Ausgleich korrekt ist; eine kleine Unauswuchtung ist erlaubt, **aber die Schranke darf sich nie schwer bewegen**.
04. Die Ausgleichsfeder mit der Mutter blockieren (**Abb. 37-c**);
05. Den Antrieb verriegeln: siehe Abschnitt 3.6.

#### 3.8.2 - Ausgleich des Schrankenbaums L9BAR

01. Den Antrieb manuell entriegeln: siehe Abschnitt 3.6;
02. Den Schrankenbaum von Hand auf zirka Hälfte seines Laufs bringen (45°) und loslassen. Wenn der Schrankenbaum dazu neigt, anzusteigen, muss die Federspannung reduziert werden, indem die Mutter im Uhrzeigersinn gedreht wird (**Abb. 38-a**). Im Gegensatz dazu, wenn der Schrankenbaum dazu neigt, zu sinken, muss die Federspannung erhöht werden, indem die Mutter gegen den Uhrzeigersinn gedreht wird (**Abb. 38-b**). Anmerkung - Der Wert der Unauswuchtung ist akzeptabel, wenn die notwendige Kraft zur Bewegung des Schrankenbaums\* in der Öffnung, Schließung und in allen anderen Positionen, die Hälfte des Werts des Nenndrehmoments nicht überschreitet (bei diesem Produkt zirka 6,5 kg pro 1 m). [(\*) Kraft senkrecht zum Schrankenbaum gemessen und 1 m von der Drehachse].
03. Den Antrieb verriegeln: siehe Abschnitt 3.6.

## 4 ELEKTRISCHE ANSCHLÜSSE

**ACHTUNG! – Alle elektrischen Anschlüsse sind ohne Stromspeisung auszuführen.**

01. Den Deckel entfernen, indem die Deckelschrauben abgeschraubt und der Schlüssel im Uhrzeigersinn gedreht wird (**Abb. 39**);
02. Die Stromkabel innerhalb des Schrankenhebers verlaufen lassen, wobei man von der Basis zur Steuerung hin ausgeht und sie auf die linke Seite dieser ausrichtet. Die Kabel der Magnetschleifen hingegen (Loop Detector) und für den Modus „Master-Slave“ müssen auf der rechten Seite durchgeführt werden;
03. Das Stromkabel durch die Kabeleinführung einziehen und an die 3-Kontak-Klemme mit Sicherung anschließen. Die Schraube der Kabeleinführung festziehen (**Abb. 40**);
04. Die Anschlüsse der restlichen Kabel in Bezug auf **Abb. 41** ausführen. Anmerkung – Zur Erleichterung der Kabelanschlüsse können die Klemmen aus ihren Einsätzen gezogen werden.

### 4.1 - Beschreibung der elektrischen Anschlüsse

• **LIGHT** = Dieser Ausgang ist programmierbar (siehe Kapitel 6, Abschnitt 6.2) – Programm des zweiten Niveaus - einstellL9BARe Parameter), und wird verwendet, um eine der folgenden Vorrichtungen anzuschließen:

– **Blinkleuchte**: Falls als „Blinkleuchte“ programmiert, kann am Ausgang „LIGHT“ eine NICE Blinkleuchte „LUCY B, oder MLB oder MLBT“ mit 12 V - 21 W Lampe automatischen Typs angeschlossen werden. Während der Bewegung blinkt sie mit einer Zeitspanne von 0.5 s eingeschaltet und 0.5 s abgeschaltet. Werkseitige Einstellung: Konfiguration für die Funktion „Blinkleuchte für Schrankenlichter“ 24 V/10 W.

– **„Meldeleuchte Schranke geöffnet“** - „aktiv, wenn Schranke geschlossen“ - „aktiv, wenn Schranke geöffnet“ - „Blinkleuchte für Schrankenlichter“ und „Wartungsleuchte“: Falls eine dieser 5 Funktionen programmiert ist, kann am Ausgang „LIGHT“ eine Meldeleuchte von 24



V max. 10 W für folgende Meldungen angeschlossen werden:

#### **Funktion „Meldeleuchte Schranke geöffnet“**

Schranke geschlossen: Ausgeschaltet  
Schranke in Öffnung: Langsam blinkend  
Schranke in Schließung: Schnell blinkend  
Schranke geöffnet (nicht geschlossen): Eingeschaltet

#### **Funktion „aktiv, wenn Schranke geschlossen“**

Schranke geschlossen: Eingeschaltet  
In allen anderen Fällen: Ausgeschaltet

#### **Funktion „aktiv, wenn Schranke geöffnet“**

Schranke geöffnet: Eingeschaltet  
In allen anderen Fällen: Ausgeschaltet

#### **Funktion „Blinkleuchte für Schrankenlichter“**

Die Meldeleuchte oder die Schrankenlichter zeigen die Ausführung der vorliegenden Bewegungen mit einem regelmäßigen Blinken (0,5 Sekunden eingeschaltet, 0,5 Sekunden abgeschaltet).

#### **Funktion „Wartungsleuchte“**

- Kontrolllampe erleuchtet 2 Sek. am Beginn der Öffnungsbewegung = Anzahl der Bewegungen unter 80%
- Kontrolllampe blinkt während der Ausführung der ganzen Bewegung = Anzahl der Bewegungen zwischen 80 und 100%
- Kontrolllampe immer blinkend = Anzahl der Bewegungen über 100%.

– **Saugkopf:** Es kann eine 24 V max. 10 W - Saugscheibe angeschlossen werden (Ausführungen nur mit Elektromagnet, ohne elektronische Vorrichtungen). Wenn die Schranke geschlossen ist, wird der Saugkopf aktiviert und sperrt den Schrankenbaum. Während der Bewegung in Öffnung und Schließung wird sie deaktiviert.

– **Elektrosperre:** Eine Elektrosperre mit 24 V max. 10 W Schnappschloss kann angeschlossen werden (Ausführungen nur mit Elektromagnet, ohne elektronische Vorrichtungen). In der Öffnungsbewegung aktiviert sich die Elektrosperre und bleibt aktiv, um die Schranke frei zu machen, so dass die Bewegung erfolgen kann. Bei der Schließbewegung ist sicher zu stellen, dass sich die Elektrosperre wieder mechanisch einspannt.

– **Elektroschloss:** Ein Elektroschloss mit 24 V max. 10 W Schnappschloss kann angeschlossen werden (Ausführungen nur mit Elektromagnet, ohne elektronische Vorrichtungen). Am Anfang der Öffnungsbewegung aktiviert sich das Elektroschloss kurz, um die Schranke frei zu machen, so dass die Bewegung erfolgen kann. Bei der Schließbewegung ist sicher zu stellen, dass sich das Elektroschloss wieder mechanisch einspannt.

- **FLASH** = Dieser Ausgang ist mit dem Oview-Programmiergerät programmierbar. Es können die gleichen Vorrichtungen wie beim Ausgang LIGHT angeschlossen werden. Werkseitig ist er für die Funktion mit Blinkleuchte 12 V/21 W konfiguriert.
- **SCA** = Dieser Ausgang ist mit dem Oview-Programmiergerät programmierbar. Es können die gleichen Vorrichtungen wie beim Ausgang LIGHT angeschlossen werden. Werkseitig ist er für die Funktion mit Meldeleuchte Schranke geöffnet 24 V/10 W konfiguriert.
- **BLUEBUS** = an dieser Klemme können kompatible Vorrichtungen angeschlossen werden; alle Vorrichtungen werden mit nur zwei Leitern, auf denen sowohl die Stromversorgung als auch die Kommunikationssignale übermittelt werden. Für weitere Details siehe Kapitel 8.
- **STOP** = Eingang für Vorrichtungen, welche die laufende Bewegung blockieren oder ggf. anhalten; mit entsprechenden Maßnahmen am Eingang können „normalerweise geschlossene“ und „normalerweise geöffnete“ Kontakte oder Vorrichtungen mit konstantem Widerstand bzw. optische Vorrichtungen angeschlossen werden. Für weitere Details siehe Kapitel 8.
- **PP** = Eingang für Vorrichtungen, welche die Bewegung in Modalität Schrittbetrieb steuern; es können „gewöhnlich geöffnete“ Kontakte angeschlossen werden.
- **OPEN** = Eingang für Vorrichtungen, die nur eine Öffnungsbewegung steuern; es können „normalerweise geöffnete“ Kontakte angeschlossen werden.
- **CLOSE** = Eingang für Vorrichtungen, die nur eine Schließbewegung steuern; es können „normalerweise geöffnete“ Kontakte angeschlossen werden.
- **ANTENNE** = Eingang für den Anschluss der Antenne für Funkempfänger (die Antenne ist in LUCY B, MBL, MLBT eingebaut).
- **AUSGANG LED-PLATINE** = Dieser Ausgang ist programmierbar (siehe Kapitel 6, Abschnitt 6.2 - Programm des zweiten Niveaus - einstell9BARe Parameter), und wird verwendet, um die led-Blinkleuchte (XBA7) oder die led-Ampelplatine (XBA8) anzuschließen. Mit der Werkseinstellung wird die Blinkfunktion mit einer Zeitspanne von 0,5 Sek. eingeschaltet und 0,5 Sek. ausgeschaltet ausgeführt. Darüber hinaus werden die Diagnoseblinksteuerungen ausgeführt.
- **LOOP1** = Eingang Loop Detector, um eine Magnetschleife anzuschließen, die Metallmassen erfasst. Die mit diesem Eingang verbundenen Funktions-

weisen können mit dem Oview-Programmiergerät verändert werden (siehe Abschnitt 7.5 – Loop Detector). Werkseitige Einstellung: Konfiguration für die Öffnungsbewegung.

- **LOOP2** = Eingang Loop Detector, um eine Magnetschleife anzuschließen, die Metallmassen erfasst. Die mit diesem Eingang verbundenen Funktionsweisen können mit dem Oview-Programmiergerät verändert werden (siehe Abschnitt 7.5 – Loop Detector). Werkseitige Einstellung: Konfiguration für die Öffnungsbewegung.
- **MASTER-SLAVE** = Steckverbindung zum Anschließen von 2 Schranken im Modus Master-Slave (siehe Abschnitt 7.6 – Master-Slave).

**WICHTIG! – KEINE ANDEREN VORRICHTUNGEN ALS VORGESEHEN VERWENDEN.**

## **4.2 - Ersteinschaltung und Prüfung der Anschlüsse**

**ACHTUNG! – Der endgültige Anschluss der Automatisierung an das Stromnetz muss unter Einhaltung der örtlich gültigen Sicherheitsvorschriften durch einen qualifizierten und erfahrenen Elektriker ausgeführt werden.**

Die Steuerung an eine elektrische Versorgungsleitung mit Sicherheitserdung anschließen. Eine Stromabtrennvorrichtung, mit einer Kontaktöffnungsabstand vorsehen, die die vollständige Abtrennung unter den Bedingungen der Überspannungskategorie III sichert oder ein Steckdosen- und Steckersystem vorsehen. Nachdem die Steuerung mit Strom gespeist wurde, die folgenden Prüfungen vornehmen:

- Prüfen, ob die led BLUEBus ein paar Sekunden lang schnell und dann regelmäßig einmal pro Sekunde blinkt.
  - Falls Lichtschranken vorhanden sind, prüfen, ob auch die LEDs an den Lichtschranken (sowohl an TX als auch an RX) blinken; wie die LEDs blinken, hat keine Bedeutung und hängt von anderen Faktoren ab.
  - Prüfen, dass die an Ausgang FLASH angeschlossene Vorrichtung oder die led-Blinkleuchte XBA7 ausgeschaltet ist (bei werkseitiger Einstellung).
- Sollte all dies nicht der Fall sein, muss die Versorgung zur Steuerung unverzüglich ausgeschaltet werden, dann die elektrischen Anschlüsse genauer kontrollieren. Weitere nützliche Auskünfte über die Fehlersuche und die Diagnose befinden sich im Kapitel 8 „Was tun, wenn... (Leitfaden zum Lösen von Problemen)“.

## **4.3 - Bereits programmierte Funktionen**

Die Steuerung verfügt über programmierbare Funktionen, die werkseitig mit gemein verwendeten Werten eingestellt sind. Es ist jederzeit möglich, diese Werte zu ändern, hierzu siehe Kapitel 6.

## **4.4 - Erlernung der angeschlossenen Vorrichtungen**

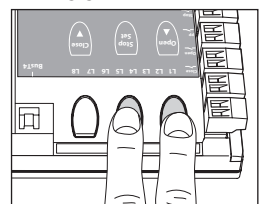
Nachdem die Ersteinschaltung ausgeführt wurde, müssen der Steuerung die an den Eingängen „Bluebus“ und „Stopp“ angeschlossenen Vorrichtungen zur Erkennung gegeben werden.

**ACHTUNG! – Die Erlernungsphase muss auch ausgeführt werden, wenn mit der Steuerung keine Vorrichtung verbunden ist.**

Um anzuzeigen, ob es notwendig ist, diesen Vorgang auszuführen, blinken die Leds „L1“ und „L2“ in der Steuerung gleichzeitig.

01. Die Tasten „Open“ und „Set“ drücken und gleichzeitig gedrückt halten;
02. Die Tasten loslassen, wenn die Leds „L1“ und „L2“ sehr schnell zu blinken beginnen (nach ca. 3 Sekunden).
03. Einige Sekunden abwarten, bis die Steuerung die Erlernungsphase der Vorrichtungen abgeschlossen hat. Am Ende dieser Phase muss die Led „Stop“ eingeschaltet und die Leds „L1“ und „L2“ müssen ausgeschaltet sein (die Leds „L3“ und „L4“ könnten zu blinken beginnen, um anzuzeigen, dass die Maße nicht erfasst wurden).

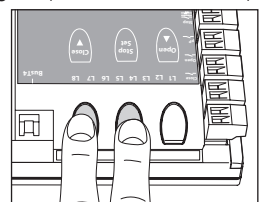
Dieses Verfahren muss bei Änderungen an den Klemmen BlueBus und Stopp angeschlossenen Vorrichtungen wiederholt werden, zum Beispiel nach Anschluss einer neuen Vorrichtung an die Steuerung.



## **4.5 - Erlernung der Öffnungs- und Schließ-Positionen**

Nach der Erlernung der angeschlossenen Vorrichtungen muss auch die Steuerung die Positionen der mechanischen Endanschläge erlernen. In dieser Phase wird der Wert des Schrankenverlaufs erfasst, der durch den mechanischen Endanschlag der Schließung und der Öffnung gemessen wird.

01. Den Antrieb von Hand entriegeln (siehe Kapitel 3.6) und die Schranke von Hand auf zirka 45° platzieren (Hälfte des Laufs);
  02. Den Antrieb verriegeln (siehe Abschnitt 3.6);
  03. Die Tasten „Close“ und „Set“ drücken und gleichzeitig gedrückt halten;
  04. Die Tasten loslassen, wenn die Bewegung beginnt (nach ca. 3 Sekunden);
  05. Warten, bis die Steuerung die Erlernung durchgeführt hat: Schließung, Öffnung und Schließung der Schranke, mit unterbrochen durch eine 3 Sekunden lange Pause.
- Hinweise!** • Die Ausführung der drei Bewegungen nicht unterbrechen: Sollte dies passieren, muss das gesamte Verfahren ab Punkt 01 wiederholt werden. • Während der



Ausführung der drei Bewegungen sicherstellen, dass der Ausgleichshebel des Schrankenbaums gegen die mechanischen Endanschläge stößt. Sollte dies nicht der Fall sein, das Verfahren stoppen, die mechanischen Endanschläge einstellen und das Verfahren ab Punkt 01 wiederholen. • Wenn nach Beendigung der drei Bewegungen die Leds „L3“ und „L4“ blinken, bedeutet das, dass ein Fehler aufgetreten ist. Daraufhin das gesamte Verfahren ab Punkt 01 wiederholen.

**WICHTIG!** – Die Parameter in Bezug auf die Verlangsamungspositionen und die Bremsintensität sind von der Steuerung bereits programmierte Funktionen. Es besteht die Möglichkeit, diese durch direkte Einwirkung auf die Steuerung zu verändern, und zwar durch die Veränderung der Parameter „L5 Lange/Kurze Verlangsamung (siehe Tabelle 6 - Abschnitt 6.1)“ und „L8 Bremsung (siehe Tabelle 8 - Abschnitt 6.2)“ oder durch Einsatz des Oview-Programmiergeräts.

#### 4.6 - Prüfung der Schrankenbewegung

Nachdem die Erlernung der Vorrichtungen ausgeführt wurde, ist es empfehlenswert, einige Öffnungs- und Schließbewegungen auszuführen, um die korrekte Bewegung der Schranke zu prüfen.

01. Die Taste „Open“ drücken, um eine Öffnungssteuerung zu aktivieren; prüfen, ob die Schranke beginnt, zu verlangsamen, bevor die Öffnungsposition erreicht wird;
02. Die Taste „Close“ drücken, um eine Schließsteuerung zu aktivieren; prüfen, ob die Schranke beginnt, zu verlangsamen, bevor die für die Schließung programmierte Verlangsamungsposition erreicht wird;
03. Während den Bewegungen prüfen, ob die Led-Blinkleuchte, sofern vorhanden, mit Zeitspannen von 0.5 Sekunden eingeschaltet und 0.5 Sekunden ausgeschaltet blinkt);
04. Verschiedene Öffnungs- und Schließbewegungen ausführen, um zu prüfen, ob höhere Reibungen oder Betriebsstörungen vorliegen.

**ACHTUNG** – Wenn die Bewegung aus einer anderen Position als die einer der mechanischen Anschläge beginnt (Öffnung oder Schließung) wird sie langsam ausgeführt.

#### 4.7 - Anschluss eines Funkempfängers

Die Steuerung weist einen Steckertyp SM für den Anschluss eines Funkempfängers auf (zusätzliches Teil), Modell SMXI, SMXIS, OXI oder OXIT und ähnliche. Um den Funkempfänger einzuschalten, muss die Netzstromspeisung an der Steuerung entfernt und der Empfänger wie in **Abb. 42** gezeigt eingesetzt werden. In der **Tabelle 5** sind die durch die Steuerung je nach aktivierten Ausgängen ausgeführten Tätigkeiten, oder die durch den Funkempfänger übersendeten Steuerungen aufgeführt.

**TABELLE 5**

Empfänger SMXI, SMXIS, OIX, OXIT im Modus I oder II	
Ausgang	Beschreibung
Ausgang Nr. 1	Schrittbetrieb
Ausgang Nr. 2	Öffnet teilweise (öffnet bei zirka 45%; mit Oview programmierbarer Wert, siehe Abschnitt 4.10.1).
Ausgang Nr. 3	Öffnet
Ausgang Nr. 4	Schließt
Empfänger OXI, OXIT im „erweiterten Modus II“ programmiert	
Steuerbefehl	Beschreibung
Befehl Nr. 1	Schrittbetrieb
Befehl Nr. 2	Öffnet teilweise (öffnet bei zirka 45%; mit Oview programmierbarer Wert, siehe Abschnitt 4.10.1).
Befehl Nr. 3	Öffnet
Befehl Nr. 4	Schließt
Befehl Nr. 5	Stopp
Befehl Nr. 6	Schrittbetrieb Wohnblock
Befehl Nr. 7	Schrittbetrieb höchste Priorität (steuert auch, wenn die Automatisierung blockiert ist)
Befehl Nr. 8	Entriegelt + öffnet
Befehl Nr. 9	Entriegelt + Schließt
Befehl Nr. 10	Öffnet und sperrt die Automatisierung
Befehl Nr. 11	Schließt und sperrt die Automatisierung
Befehl Nr. 12	Sperrt die Automatisierung
Befehl Nr. 13	Entriegelt die Automatisierung
Befehl Nr. 14	Schrittbetrieb Flügel Master
Befehl Nr. 15	Schrittbetrieb Flügel Slave

#### 4.8 - Anschluss Schrankenlichter (optionales Zubehörteil)

01. Die Schranke in eine vertikale Position bringen;
02. Die 6 Schrauben abschrauben, die den Schrankendeckel befestigen (**Abb. 43**);
03. Die Schranke momentan entfernen;
04. Die Kabeldurchführung durch die Öffnung stecken, die für den Durchgang der Verkabelung vorgerüstet ist (**Abb. 44**);
05. Das Lichtkabel in den Stoßschutzgummi einfügen, eventuell eine Sonde verwenden, um das Einsetzen zu erleichtern (**Abb. 45**);

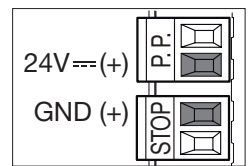
06. Wenn notwendig, die Länge des Lichtkabels kürzen: Es ist möglich, den Schnitt nur an einem der angezeichneten Punkte auszuführen. Nach dem Schnitt ist es notwendig, den Verschluss am geschnittenen Ende zu versetzen, um das neue Ende zu schließen;
07. Das Kabel der Verkabelung zuerst durch die Öffnung an der Schrankenhalterung einsetzen und dann durch die Öffnung am Schrank (**Abb. 46**); **Achtung** – Etwas mehr Kabel im Schrankenträger lassen, damit eine 90°-Drehung der Schranke ermöglicht wird, ohne Spannungen am Kabel hervorzurufen;
08. Das Lichtkabel an die Klemme LIGHT an der Steuerung anschließen: Siehe Schema **Abb. 47**. **Anmerkung** – Der Ausgang LIGHT hat eine bestimmte Polung: Wenn die Lichter sich nicht laut Programmierung einschalten, müssen die an der Klemme angeschlossenen Kabel umgepolt werden.
09. Den Stecker im Schrankenschlitz platzieren und sperren (**Abb. 48**);
10. Die Schranke einsetzen und mit dem Deckel sperren, die 6 Schrauben kräftig anziehen (**Abb. 49**) und darauf achten, das Kabel der Verkabelung nicht einzuquetschen.

#### 4.9 - Anschluss Led-Blinkleuchte Mod. XBA7 oder Led-Ampel Mod. XBA8 (optionale Zubehörteile)

Auf dem Deckel des Schrankenhebers kann eine Led-Blinkleuchte Mod. XBA7 oder eine Ampel mit roten und grünen Leds Mod. XBA8 eingesetzt werden. Die Funktionsweisen dieser Blinkleuchten können durch das Oview-Programmiergerät oder durch eine entsprechende Programmierung der Steuerung verändert werden. Für weiterführende Informationen konsultieren Sie die Gebrauchsanleitung der beiden Produkte.

#### 4.10 - Anschluss sonstiger Vorrichtungen

Dank der eingebauten Steuerung ist es möglich, externe Vorrichtungen zu speisen (einen Funkempfänger oder das Licht des Schlüsseltasters), wobei die Speisung aus der Steuerung entnommen wird: Für die Art des elektrischen Anschlusses siehe die seitliche Abbildung. Die Versorgungsspannung beträgt 24 V  $\approx$  -30% + 50% mit einem verfügbaren Höchststrom von 100 mA.



#### 4.10.1 - Programmierereinheit Oview

Die Anwendung der Programmierereinheit Oview ermöglicht eine komplette und schnelle Abwicklung der Installation, Wartung und Diagnose der ganzen Automatisierung. Es ist möglich, Oview an die Straßenschranke durch den Steckverbinder BusT4 in der Steuerung anzuschließen.

Um an den Steckverbinder BusT4 zu gelangen, muss der Deckel der Straßenschranke geöffnet und der Steckverbinder in den hierfür vorgesehenen Sitz eingefügt werden (**Abb. 50**).

Generell kann Oview auf einer Distanz von max. 100 m Kabel ab der Steuerung platziert werden; die Vorrichtung kann an mehrere Steuerungen gleichzeitig angeschlossen werden (bis zu 16) und auch während des normalen Betriebs der Automatisierung angeschlossen bleiben; um dieses Limits zu überschreiten, müssen die Hinweise in der Gebrauchsanleitung Oview und im Handbuch des Systems Oview System Book befolgt werden. Wenn in der Steuerung ein Funkempfänger der Serie OXI vorliegt, kann mit Oview Zugang zu den Parametern der im Empfänger gespeicherten Sender erhalten werden. Für weitere Details siehe die Gebrauchsanleitung des Programmiergeräts Oview oder das Datenblatt der Funktionen der Schrankenhebers, das auch auf der Website [www.niceforyou.com](http://www.niceforyou.com) zur Verfügung steht.

#### 4.10.2 - Pufferbatterie Mod. PS224 (Zubehörteil)

Falls keine Netzspannung vorliegt, ist der Schrankenheber vorgerüstet, um mit einer Pufferbatterie Mod. PS224 gespeist zu werden. Um die Installation und den Anschluss der Batterie auszuführen, wie folgt vorgehen:

**Achtung!** – Der elektrische Anschluss der Pufferbatterie an die Steuerung darf erst nach dem Abschluss der Installation und Programmierung ausgeführt werden, da die Batterie eine Notspeisung darstellt.

01. Die Pufferbatterie wie in **Abb. 51-a** gezeigt platzieren;
02. Die Netzstromspeisung deaktivieren und dann das entsprechende Kabel an den Steckverbinder der Pufferbatterie anschließen (**Abb. 51**);
03. Die Netzstromspeisung aktivieren.

#### 4.10.3 - System Solemyo (Photovoltaik-Versorgung)

Der Schrankenheber ist für die Versorgung über das Photovoltaik-Versorgungssystem „Solemyo“ vorgerüstet. Für den Anschluss an die Steuerung muss die in **Abb. 52** gezeigte 2-polige Steckdose verwendet werden.

#### WICHTIG!

- Wenn der Schrankenheber vom System „Solemyo“ betrieben wird, **DARF ES NICHT gleichzeitig auch vom Stromnetz VERSORGT WERDEN.**
- Aufgrund der eingeschränkten Sonnenenergie, kann der Schrankenheber je nach Installationsort und Jahreszeit nur eine bestimmte Höchstzahl an Bewegungen pro Tag ausführen. Vor der Installation des Systems Solemyo in der diesbezüglichen Gebrauchsanleitung prüfen, ob die mögliche Höchstbewegungszahl mit dem vorgesehenen Einsatzzweck übereinstimmt.
- Das System „Solemyo“ kann nur effizient verwendet, wenn in der Steuerung die Funktion „Standby“ im Modus „Alles“ aktiv ist (ON) – (nur mit der Anwendung des Oview-Programmiergeräts aktiviert).

## 5 ABNAHME UND INBETRIEBSETZUNG

Um die höchste Sicherheit der Anlage zu gewährleisten, sind dies die wichtigsten Schritte bei der Realisierung der Automatisierung. Die Abnahme kann auch verwendet werden, um die Vorrichtungen der Automatisierung regelmäßig zu prüfen. Die Phasen der Abnahme und der Inbetriebsetzung der Automatisierung müssen durch qualifiziertes und erfahrenes Personal ausgeführt werden, das die notwendigen Tests zur Kontrolle der Lösungen der vorhandenen Risiken festsetzt; außerdem wird die Einhaltung der Gesetze, Normen und Regelungen geprüft. Insbesondere alle Anforderungen der Norm EN 12445, die die Prüfmethoden für die Kontrolle der Automatisierungen für Tore und Straßenschranken festsetzt. All diese Tätigkeiten müssen unter der direkten Kontrolle des verantwortlichen Installateurs ausgeführt werden, d.h. derjenige, der seinen Namen und seine Unterschrift in das Feld Nr. 1 der Konformitätserklärung einträgt (siehe Anlage I).

Die zusätzlichen oder hinzugefügten Vorrichtungen müssen einer spezifischen Abnahme unterzogen werden, was ihre Funktionstüchtigkeit und ihre korrekte Verbindung mit der Schranke angeht.

### 5.1 - Abnahme

Die für die Abnahme auszuführende Vorgehensweise bezieht sich auf eine typische Anlage (Abb. 1) mit einer Anwendungsweise „nicht ausgebildete Nutzer“ und mit einer Aktivierungsart der Automatisierung „automatische Steuerung“, die als Mindestschutzniveau der Hauptschaltleistung Vorrichtungen des Typs C vorsieht (Einschränkung der Kräfte – siehe Norm EN 12445), die mit Vorrichtungen des Typs D verbunden werden (Anwesenheitserfassungsgeräte, z.B. Lichtschranken). In Anbetracht der Tatsache, dass diese Anwendungsweise zu den beschwerlichsten gehört, kann diese Abnahmefolge auch unter weniger schweren Bedingungen wirksam eingesetzt werden.

- 1 Prüfen, ob alles in Kapitel 1 „Sicherheitshinweise“ angegebene genauestens eingehalten ist.
- 2 Den korrekten Ausgleich der Schranke prüfen, siehe Abschnitt 3.8.
- 3 Die korrekte Funktion der manuellen Entriegelung prüfen, siehe Abschnitt 3.6.
- 4 Den Sender oder Schlüsseltaster verwenden und Öffnungs- und Schließungstests sowie den Stopp des Schrankenhebers ausführen; sicherstellen, dass die Bewegung der Schranke wie vorgesehen ist. Es ist empfehlenswert, verschiedene Prüfungen auszuführen, um die Bewegung der Schranke zu bewerten und eventuelle Montage-, Einstellmängel sowie das Vorhandensein besonderer Reibungspunkte festzustellen.
- 5 Die korrekte Funktion aller Sicherheitsvorrichtungen in der Anlage einzeln prüfen (Lichtschranken, Schaltleisten usw.). Wenn eine Vorrichtung eingreift, blinkt die Led „BLUEBUS“ in der Steuerung zweimal schnell und bestätigt somit die erfolgte Erkennung.
- 6 Die korrekte Funktion der Lichtschranken wie folgt prüfen: Je nachdem, ob ein oder zwei Lichtschrankenpaare installiert wurden, müssen ein oder zwei Quader aus hartem Material eingesetzt werden (z.B. Holzpaneele), mit den Abmessungen 70 x 30 x 20 cm. Jeder Quader muss drei Seiten haben, eine pro Abmessung, die aus reflektierendem Material besteht (z.B. Spiegel oder weißer glatter Anstrich) sowie drei Seiten aus mattem Material (z.B. mattschwarzer Anstrich). Für den Test der Lichtschranken, die 50 cm vom Boden entfernt platziert sind, muss der Quader auf den Boden gestellt oder 50 cm für die Prüfung der Lichtschranken auf 1 m Höhe vom Boden angehoben werden.  
Im Falle einer Prüfung eines Lichtschrankenpaars muss der Prüfkörper genau unter der Mitte der Schranke mit den Seiten mit 20 cm auf die Lichtschranken zeigend gestellt werden, und entlang der ganzen Länge der Schranke versetzt (Abb. A).

Im Falle von zwei Lichtschrankenpaaren muss der Test zuerst einzeln für jedes Lichtschrankenpaar ausgeführt werden, wobei 1 Prüfkörper verwendet wird, und danach mit 2 Prüfkörpern wiederholt werden.

Jeder Prüfkörper muss gegenüber der Schrankenmitte seitlich platziert werden, auf 15 cm Distanz und dann entlang der ganzen Schrankenlänge (Abb. B).

Während diesen Prüfungen muss der Prüfkörper durch die Lichtschranken in jeder Position erfasst werden, in der er sich entlang der ganzen Schrankenlänge befindet.

- 7 Überprüfen Sie, dass keine Interferenzen zwischen den Lichtschranken und anderen Vorrichtungen bestehen, indem Sie die optische Achse zwischen den Lichtschrankenpaaren mit einem Zylinder (Durchmesser 5 cm, Länge 30 cm) unterbrechen (Abb. C): Führen Sie den Zylinder zuerst in der Nähe der Lichtschranke TX durch, dann in der Nähe von RX und abschließend in der Mitte zwischen den beiden Lichtschranken. Stellen Sie dann sicher, dass die Vorrichtung in allen Fällen auslöst und vom aktiven Zustand auf den Alarmzustand übergeht und umgekehrt; prüfen Sie dann, dass in der Steuerung die vorgesehene Handlung verursacht wird (zum Beispiel die Reversierung der Bewegung während der Schließung).
- 8 **Prüfung des Schutzes gegen eine Anhebegefahr:** In den Automatisierungen mit vertikaler Bewegung ist es notwendig zu prüfen, ob eine Anhebegefahr besteht. Diese Prüfung muss wie folgt ausgeführt werden: Auf Hälfte Länge der Schranke ein Gewicht von 20 kg anbringen (zum Beispiel, einen Sack Kies); eine Öffnungsbewegung steuern und prüfen, dass die Schranke während dieser Bewegung nicht die Höhe von 50 cm ab ihrer Schließposition überschreitet. Falls die Schranke diese Höhe überschreitet, muss die Motorleistung reduziert werden (siehe Kapitel 6 - Tabelle 7).
- 9 Falls die durch die Schrankenbewegung verursachten Gefahren mittels Begrenzung der Aufprallkraft abgesichert worden sind, muss die Kraft nach den Verordnungen der Vorschrift EN 12445 gemessen werden; und wenn die Kontrolle der „Motorkraft“ als Hilfsmittel für das System zur Aufprallkraftreduzierung benutzt wird, muss auch getestet werden, mit welcher Einstellung die

besten Ergebnisse erzielt werden.

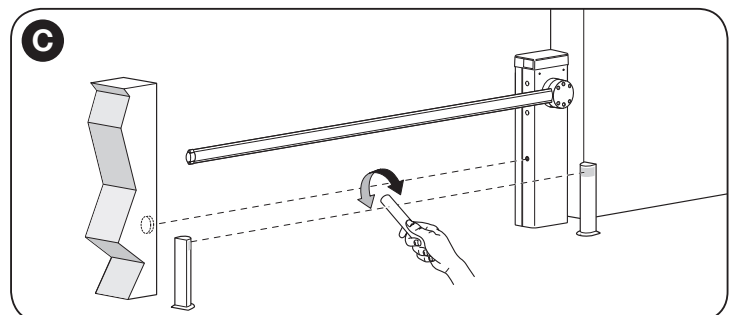
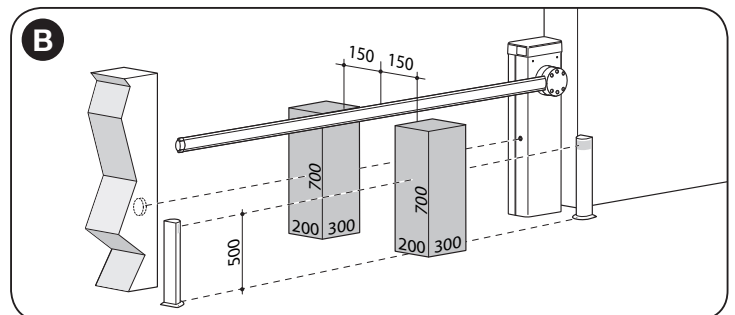
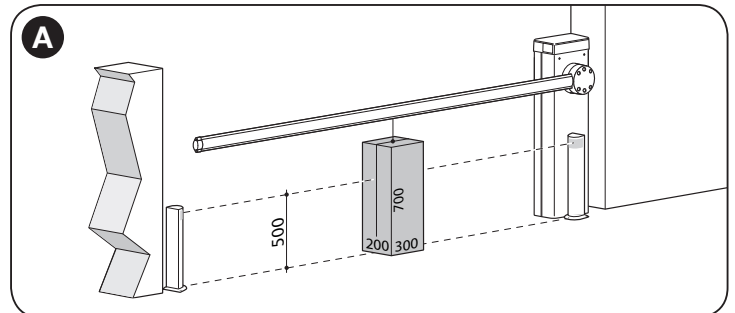
- 10 **Die Effizienz des Entriegelungssystems prüfen:** Die Schranke in die Schließposition bringen und die manuelle Entriegelung des Antriebs vornehmen (siehe Abschnitt 3.6), und prüfen, ob diese problemlos erfolgt. Prüfen, ob die manuelle Kraftausübung zur Bewegung der Schranke in Öffnung nicht über 200 N ist (zirka 20 kg); die Kraft wird senkrecht zur Schranke und 1 m ab der Drehachse gemessen. Schließlich prüfen, ob der Schlüssel für die manuelle Entriegelung an der Automatisierung zur Verfügung steht.

- 11 **Prüfung des Versorgungsabtrennungssystems:** Durch Einwirkung auf die Abtrennvorrichtung der Speisung und Trennung eventueller Pufferbatterien muss geprüft werden, dass alle Leds in der Steuerung ausgeschaltet sind und die Schranke bei Übersendung eines Befehls stehen bleibt. Die Wirksamkeit des Sperrsystems prüfen, um den nicht beabsichtigten oder nicht zugelassenen Wiederanschluss zu vermeiden.

### 5.2 - Inbetriebsetzung

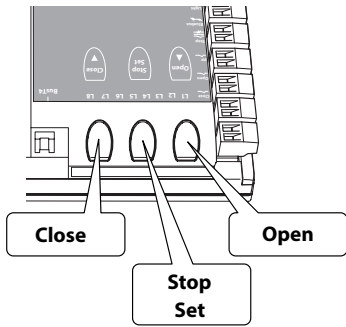
**Die Inbetriebsetzung darf erst erfolgen, nachdem alle Abnahmephasen erfolgreich beendet sind. Eine teilweise oder vorübergehende Inbetriebsetzung ist unzulässig.**

- 1 Dem Inhaber der Automatisierung die ausgefüllte „**EG-Konformitätserklärung - Anlage I**“ aushändigen, die am Ende dieser Gebrauchsanleitung im herausnehmbaren Teil vorliegt.
- 2 Füllen Sie das Formular „**Bedienungshandbuch**“ am Ende dieser Gebrauchsanleitung im herausnehmbaren Teil aus und übergeben Sie es dem Inhaber der Automatisierung.
- 3 Füllen Sie das Formular „**Wartungsplan**“ aus und übergeben Sie es dem Inhaber der Automatisierung. Es enthält die Wartungsvorschriften der einzelnen Vorrichtungen der Automation. Für den Schrankenheber befindet sich dieses Formular am Ende dieser Gebrauchsanleitung, im herausnehmbaren Teil.
- 4 Informieren Sie den Inhaber vor der Inbetriebsetzung der Automatisierung über die noch vorhandenen Gefahren und Risiken.
- 5 Am Schrankenheber permanent die Etikette der Verpackung anbringen, die sich auf die manuellen Sperr- und Entriegelungsvorgänge des Antriebs beziehen.
- 6 **NUR für Installationen, die NICHT mit den Kriterien des Kapitels 1.3.1 dieser Gebrauchsanleitung ÜBEREINSTIMMEN:** Stellen Sie die technischen Unterlagen der Automatisierung zusammen. Sie müssen mindestens folgendes umfassen: Eine Gesamtzeichnung der Automatisierung, der Plan der ausgeführten Stromanschlüsse, die Analyse der vorhandenen Risiken und die entsprechenden angewendeten Lösungen (siehe die auszufüllenden Formulare im Internet unter [www.niceforyou.com](http://www.niceforyou.com)), die Konformitätserklärung des Herstellers für alle benutzten Vorrichtungen (für den Schrankenheber siehe Anlage II) und die vom Installateur ausgefüllte Konformitätserklärung.  
Am Schrankenheber ein Schild mit den zumindest folgenden Daten anbringen: Automatisierungstyp, Name und Adresse des Herstellers (Verantwortlicher der „Inbetriebsetzung“), Seriennummer, Baujahr und CE-Zeichen.



# 6 PROGRAMMIERUNG DER STEUERUNG

In der Steuerung befinden sich 3 Tasten **OPEN (▲)**, **STOP (Set)**, **CLOSE (▼)** die verwendet werden können, um die Steuerung während den Prüfungen zu steuern und um die Programmierung der verfügbaren Funktionen auszuführen. Die verfügbaren programmierbaren Funktionen befinden sich auf 2 Niveaus und ihr Betriebszustand wird durch 8 Leds (**L1 ... L8**) in der Steuerung angezeigt.



### LED-ANZEIGEN:

- **Eingeschaltete Led** = aktive Funktion;
- **Abgeschaltete Led** = Funktion nicht aktiv;

### PROGRAMMIERUNGSTASTEN:

- **OPEN (▲)**: Mit der Taste „OPEN“ kann dem Schrankenbaum ein Öffnungsbefehl erteilt werden oder sie

dient zur Verschiebung des Programmierungspunktes nach oben.

- **STOP (Set)**: Mit der Taste „STOP“ kann die Bewegung angehalten werden; falls länger als 5 Sekunden gedrückt, ermöglicht sie den Zugriff auf die Programmierung.

- **CLOSE (▼)**: Mit der Taste „CLOSE“ kann dem Schrankenbaum ein Öffnungsbefehl erteilt werden oder sie dient zur Verschiebung des Programmierungspunktes nach unten.

**ACHTUNG! – Während der Ausführung einer Bewegung (Öffnung oder Schließung) führen die 3 Tasten (▲, Set, ▼) die STOPP-Funktion aus: Sie stoppen die vorliegende Bewegung oder kehren die Bewegung um.**

## 6.1 - Programmierung erstes Niveau (ON-OFF)

Alle Funktionen des ersten Niveaus (**Tabelle 6**) sind werkseitig auf „OFF“ programmiert und können in jedem Moment geändert werden, wie in der **Tabelle 7** gezeigt wird. Die Parameter sind auf einer Wertskala von 1 bis 8 einstell-9BAR, zur Prüfung des jeder Led entsprechenden Werts siehe **Tabelle 6**.

**WICHTIG** – Das Programmierverfahren weist eine Höchstzeit von 10 Sekunden zwischen dem Druck einer Taste und dem Druck der nächsten auf. Nach dieser Zeitspanne endet das Verfahren automatisch und speichert die bisher ausgeführten Änderungen.

**TABELLE 6 - Funktionen erstes Niveau**

Led	Beschreibung	Beispiel
<b>L1</b>	<b>Automatische Schließung</b>	Diese Funktion führt eine automatische Schließung der Schranke nach der programmierten Pausenzeit aus. Werkseitiger Wert: 20 Sekunden. Auf 3 - 60 Sekunden programmierbarer Wert.
<b>L2</b>	<b>Schließen nach Durchfahrt</b>	Die Funktion ermöglicht die Beibehaltung der Schranke in der Öffnungsposition, nur über die Zeitspanne, die zum <b>der Lichtschranke</b> Vorbeifahren/-gehen von Fahrzeugen oder Personen notwendig ist. Wenn die Funktion aktiv ist, ändert sich der Betrieb aufgrund des Parameters, der in der Funktion „Automatisches Schließen“ eingestellt ist. <ul style="list-style-type: none"> <li>• bei <b>aktivem</b> „Automatischem Schließen“, stoppt die Öffnungsbewegung sofort nach der Befreiung der Lichtzellen und 5 Sek. danach beginnt die Schließbewegung.</li> <li>• bei <b>nicht aktivem</b> „automatischer Schließung“ erreicht die Schranke immer die höchste Öffnungsposition (auch wenn die Lichtschranken zuvor befreit werden) und 5 Sek. danach beginnt die Schließbewegung.</li> </ul>
<b>L3</b>	<b>Schließt immer</b>	Diese Funktion ist im Falle eines auch kurzen Stromausfalls nützlich. Wenn die Funktion aktiv ist (ON), erfasst die Steuerung die Schranke nach Wiederherstellung des Stroms in Öffnungsposition und startet die Schließposition, der aus Sicherheitsgründen ein 3 Sek. langes Vorwarnblinken vorausgeht.
<b>L4</b>	<b>Stand by</b>	Diese Funktion reduziert den Verbrauch. Wenn sie aktiv ist, schaltet die Steuerung 1 Minute nach Beendigung der Bewegung die TX der Lichtschranken BlueBUS sowie alle LEDs mit Ausnahme der BlueBUS-led aus, die langsamer blinken wird. Wenn die Steuerung einen beliebigen Befehl erhält, geht sie wieder zum Normalbetrieb über. <b>Für die Anwendung des Schrankenhebers mit dem System Solemyo ist es notwendig, einen noch tiefergründigeren Standby“-Modus zu aktivieren, den Modus „Standby Alles“. ieser Vorgang wird mit dem Oview-Programmiergerät ausgeführt.</b>
<b>L5</b>	<b>Lange/Kurze Verlangsamung</b>	Diese Funktion ermöglicht die Verdopplung des anfänglichen Verlangsamungsbereichs in der Öffnung und Schließung. Wenn die Funktion nicht aktiv ist, ist die Verlangsamung kurz.
<b>L6</b>	<b>Automatischer Anlauf</b>	Dieser Parameter, sofern aktiv (ON), ermöglicht den Anlauf zu aktivieren (Start bei Höchstgeschwindigkeit), so dass die Schranke in Bewegung gebracht wird. Der werkseitig eingestellte Wert ist „OFF“.
<b>L7</b>	<b>Modus Slave</b>	Bei Aktivierung dieser Funktion wird der Schrankenheber zum „Slave“ (Diener): Dadurch lassen sich 2 gegenüber liegende Schrankenheber synchronisieren, bei denen der eine als „Master“ und der andere als „Slave“ fungiert; für weiterführende Informationen siehe Abschnitt 7.6 - Modus Master-Slave.
<b>L8</b>	<b>Motorendrehrichtung</b>	Dieser Parameter ermöglicht die Umkehrung der Drehrichtung des Motors, um den Schrankenheber rechts installieren zu können; der werkseitig eingestellte Wert ist „OFF“ (Standarddrehung des Motors – die Schließung der Schranke erfolgt links). <b>Wichtig – Wenn diese Funktion aktiviert wird, muss die Erlernung der Öffnungs- und Schließpositionen ausgeführt werden (Abschnitt 4.5).</b>

**TABELLE 7 - Programmierverfahren (erstes Niveau)**

<b>01.</b> Mindestens 3 Sekunden lang auf die Taste <b>„Set“</b> drücken und gedrückt halten.	
<b>02.</b> Die Taste loslassen, wenn die led <b>„L1“</b> zu blinken beginnt.	
<b>03.</b> Auf Taste <b>„▲“</b> oder <b>„▼“</b> drücken, um das Blinken auf die led zu verschieben, welche die zu ändernde Funktion darstellt;	
<b>04.</b> Die Taste <b>„Set“</b> drücken, um den Zustand der Funktion zu ändern: (kurzes Blinken = OFF - langes Blinken = ON);	
<b>05.</b> 10 Sekunden warten (Höchstzeit), um aus der die Programmierung zu treten.	
<b>Anmerkung</b> – Zur Programmierung anderer Funktionen auf „ON“ oder „OFF“ müssen während der Ausführung des Verfahrens Punkt 03 und 04 während dieses Vorgangs wiederholt werden.	

## 6.2 - Programmierung zweites Niveau (einstell9BARe Parameter)

Alle Parameter des zweiten Niveaus sind werkseitig programmiert (**Tabelle 8**) und können jederzeit geändert werden, wie in **Tabelle 9** gezeigt.

Die Parameter sind auf einer Wertskala von 1 bis 8 einstell9BAR, zur Prüfung

des jeder Led entsprechenden Werts siehe **Tabelle 8**.

**WICHTIG** – Das Programmierverfahren weist eine Höchstzeit von 10 Sekunden zwischen dem Druck einer Taste und dem Druck der nächsten auf. Nach dieser Zeitspanne endet das Verfahren automatisch und speichert die bisher ausgeführten Änderungen.


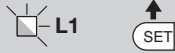






TABELLE 8 - Funktionen zweites Niveau

Eingangs-led	Parameter	Led (Niveau)	Wert	Beschreibung
L1	Pausenzeit	L1	3 Sekunden	Dieser regelt die Pausenzeit, d.h. die Zeit, die zwischen dem Ende einer Öffnungsbewegung und dem Beginn der automatischen Schließung vergeht. Er wirkt nur, falls die automatische Schließung aktiviert ist.
		L2	5 Sekunden	
		L3	7 Sekunden	
		L4	10 Sekunden	
		L5	15 Sekunden	
		L6	20 Sekunden	
		L7	40 Sekunden	
		L8	60 Sekunden	
L2	Funktion Schrittbetrieb	L1	Öffnet - Stopp - Schließt - Stopp	Stellt die Sequenz der Steuerbefehle ein, die dem Eingang oder dem Funkbefehl zugeteilt sind: „Schrittbetrieb“.
		L2	Öffnet - Stopp - Schließt - Öffnet	
		L3	Öffnet - Schließt - Öffnet - Schließt	
		L4	Wohnblock 1	
		L5	Wohnblock 2	
		L6	Schrittbetrieb 2	
		L7	Todmannfunktion	
		L8	Öffnung „halbautomatisch“, Schließung mit „Todmannfunktion“	
L3	Motorgeschwindigkeit	L1	Geschwindigkeit 1 (50%)	Reguliert die Motorgeschwindigkeit während des normalen Laufs.
		L2	Geschwindigkeit 2 (80%)	
		L3	Geschwindigkeit 3 (100%)	
		L4	Öffnet V3, Schließt V1	
		L5	Öffnet V1, Schließt V2	
		L6	Öffnet V2, Schließt V3	
		L7	Öffnet V3, Schließt V2	
		L8	Öffnet V2, Schließt V1	
L4	Ausgang 1 LIGHT	L1	Meldeleuchte Schranke geöffnet (24 V - 10 W)	Wählt die an Ausgang LIGHT angeschlossene Vorrichtungstyp <b>Wichtig!</b> – Wenn die Programmierung geändert wird, muss geprüft werden, dass die Spannungsart der neuen an der Klemme LIGHT angeschlossenen Vorrichtung der Spannungsart des gewählten Programmierungsniveaus entspricht.
		L2	Schranke geschlossen (24 V - 10 W)	
		L3	Schranke geöffnet (24 V - 10 W)	
		L4	Blinkleuchte (12 V - 21 W)	
		L5	Blinkleuchte 1 (24 V - 10 W) (für Schrankenlichter)	
		L6	Elektroschloss (24 V - 10 W)	
		L7	Saugkopf (24 V - 10 W)	
		L8	Wartungsmeldeleuchte (24 V - 10 W)	
L5	Led-Ausgang (Deckellichter)	L1	Blinkleuchte (nur während der Bewegung)	Wählt die Funktionsweise der am Led-Ausgang angeschlossenen Vorrichtung. Die Funktionsweisen von L1 bis L4 können der Led-Blinkleuchte zugeordnet werden. Die Funktionsweisen von L5 bis L8 können der Led-Ampel zugeordnet werden. <b>Wichtig!</b> – Keine anderen Vorrichtungen als die vorgesehenen anschließen.
		L2	Blinkleuchte 1 (blinkt immer)	
		L3	Zusätzliche Beleuchtung	
		L4	Immer eingeschaltet	
		L5	Rote Ampel	
		L6	Grüne Ampel	
		L7	Ampel für eine Fahrtrichtung	
		L8	Ampel für wechselnde Fahrtrichtung	
L6	Motorkraft	L1	Kraft 1 (niedrig)	Regelt während der Bewegung das Kontrollsystem der Motorkraft, um es dem Schrankengewicht anzupassen.
		L2	Kraft 2	
		L3	Kraft 3	
		L4	Kraft 4	
		L5	Kraft 5	
		L6	Kraft 6	
		L7	Kraft 7	
		L8	Kraft 8 (hoch)	
L7	Empfindlichkeit Loop Detector	L1	100% - Höchstwert	Regelt die Empfindlichkeit für die Erfassung von Metallgegenständen des Loop Detector Kreislaufs. Siehe Abschnitt 7.5 - Kap. 7 Weitere Auskünfte.
		L2	90%	
		L3	80%	
		L4	70%	
		L5	60%	
		L6	50%	
		L7	40%	
		L8	30% - Mindestwert	
L8	Bremsung	L1	0 - nicht vorhanden	Stellt die Intensität der Bremsung ein, die während der Verlangsamungsphase der Bewegung durchgeführt wird.
		L2	1	
		L3	2	
		L4	3	
		L5	5	
		L6	6	
		L7	8	
		L8	9 - Höchstwert	

HINWEISE:

- Keinen zu hohen Wert der „Motorenkraft“ einstellen, da die Funktion des Sicherheitssystem beeinträchtigt oder die Schranke beschädigt werden könnte;
- Wenn die Kontrolle der „Motorenkraft“ als Hilfe für das System zur Reduzierung der Aufprallkraft verwendet wird, muss die Messung der Kraft nach jeder Einstellung wiederholt werden, wie durch Norm EN 12445 vorgesehen ist;
- Der Verschleiß und die atmosphärischen Bedingungen beeinträchtigen die Bewegung der Schranke und kontrollieren somit regelmäßig die Einstellung der „Motorenkraft“.

**TABELLE 9 - Programmierungsverfahren (zweites Niveau)**

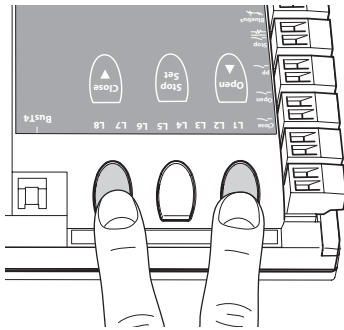
01. Mindestens 3 Sekunden lang auf die Taste „Set“ drücken und gedrückt halten.	
02. Die Taste loslassen, wenn die led „L1“ zu blinken beginnt.	
03. Auf Taste „▲“ oder „▼“ drücken, um das Blinken auf die led zu verschieben, welche die zu ändernde Funktion darstellt;	
04. Die Taste „Set“ drücken und gedrückt halten, bis Punkt 06 abgeschlossen ist;	
05. Ca. 3 Sekunden warten, danach wird die led aufleuchten, die das aktuelle Niveau des zu ändernden Parameters darstellt;	
06. Auf Taste „▲“ oder „▼“ drücken, um die led zu verschieben, die den Wert des Parameters darstellt;	
07. Die Taste „Set“ loslassen;	
08. 10 Sekunden warten (Höchstzeit), um aus der die Programmierung zu treten.	
<b>Anmerkung</b> – Zur Programmierung mehrerer Parameter müssen während der Ausführung des Verfahrens Punkt 03 und 07 während dieses Vorgangs wiederholt werden.	

## 7 WEITERE AUSKÜNFTE

### 7.1 - Vollständiges Löschen des Speichers der Steuerung

In der Steuerung ist es möglich, alle gespeicherten Daten zu löschen und auf den Anfangszustand mit den Werksdaten zu bringen:

01. Die Tasten „▲“ und „▼“ drücken und gleichzeitig gedrückt halten;



02. (nach zirka 3 Sekunden) Die Tasten loslassen, wenn sich alle LEDs einschalten;  
 03. Wenn die Leds L1 und L2 zu blinken beginnen, bedeutet das, dass das Verfahren abgeschlossen ist.

Anmerkung – Mit diesem Verfahren ist es möglich, auch etwaige im Speicher verbliebene Fehler zu löschen.

**Wichtig** – Dieses Verfahren löscht nicht den Parameter der Motorendrehrichtung und die Anzahl der ausgeführten Bewegungen.

### 7.2 - Weitere Funktionen

#### • Funktion „Öffnet Immer“

Diese Funktion ist eine Besonderheit der Steuerung; sie ist mit dem Eingang „Schrittbetrieb“ verbunden und ermöglicht, immer eine Öffnungsbewegung zu steuern, wenn die Schrittbetriebsteuerung länger als 3 Sekunden aktiv bleibt. Diese Funktion gilt für jede Programmierung des Eingangs PP (Schrittbetrieb) – siehe die „Funktion Schrittbetrieb“ in **Tabelle 8**.

Sie kann zum Beispiel für den Anschluss einer Uhr verwendet werden, um die permanente Öffnung des Schrankenhebers in einer bestimmten Zeitspanne zu programmieren.

#### • Funktion „Todmannfunktion“

Falls eine oder mehrere Sicherheitsvorrichtungen nicht korrekt funktionie-

ren sollten oder außer Betrieb sind, ermöglicht diese Funktion die Steuerung des Schrankenhebers im Modus „Todmannfunktion“ (Details siehe Kapitel „Gebrauchsanleitung“).

#### • Funktion „Wartungshinweis“

Diese Funktion ermöglicht mitzuteilen, wenn der Moment ist, eine Wartungskontrolle der Automatisierung auszuführen. Der Parameter „Wartungshinweis“ kann durch Einsatz des Oview-Programmiergeräts eingestellt werden. Der Wartungshinweis wird durch die Blinkleuchte Flash angezeigt oder durch die Wartungsmeldeleuchte, aufgrund der festgesetzten Programmierungsart. Die Hinweise der Flash-Blinkleuchte und der Wartungsmeldeleuchte sind in der **Tabelle 10** aufgeführt.

#### • Überprüfung der Anzahl der ausgeführten Bewegungen

Um die Anzahl der ausgeführten Bewegungen zu überprüfen, es ist erforderlich, das Oview-Programmiergerät zur Verfügung haben; unter dem Punkt „Wartung“ prüfbare Parameter.

#### • Nullstellung des Bewegungszählers

Die Nullstellung der Bewegungen muss am Ende der Wartungsphase der Automatisierung ausgeführt werden, und zwar durch **Deaktivierung** der Funktion „Wartungswarnleuchte“, die mit dem Ausgang LIGHT verbunden ist.

**Anmerkung** – Die am Ausgang 1 LIGHT angeschlossene Vorrichtung vorübergehend trennen.

Verfahren zur Aktivierung der Wartungswarnleuchte (wenn diese noch nicht aktiviert ist):

01. Die Taste „Set“ drücken und ca. 3 Sekunden gedrückt halten;
02. Die Taste loslassen, wenn die led „L1“ zu blinken beginnt;
03. Auf die Tasten „▲“ oder „▼“ drücken, um sich von der Led zu versetzen, die bei led L4 blinkt (Eingangs-led „Ausgang LIGHT“);
04. Die Taste „Set“ drücken und gedrückt halten, bis Punkt 07 abgeschlossen ist;
05. Zirka 3 Sekunden abwarten, bis die Led des programmierten Ausgangs aufleuchtet;
06. Die Taste „▲“ oder „▼“ drücken, damit das Leuchten auf L8 übergeht;
07. Die Taste „Set“ loslassen und auf den Timeout zum Verlassen des Programmierverfahrens warten.

Verfahren zur Deaktivierung der Wartungswarnleuchte (wenn diese bereits aktiviert ist):

01. Die Taste „Set“ drücken und ca. 3 Sekunden gedrückt halten;
02. Die Taste loslassen, wenn die led „L1“ zu blinken beginnt;
03. Auf die Tasten „▲“ oder „▼“ drücken, um sich von der Led zu versetzen, die bei led L4 blinkt (Eingangs-led „Ausgang LIGHT“);
04. Die Taste „Set“ drücken und gedrückt halten, bis Punkt 07 abgeschlossen ist;
05. Zirka 3 Sekunden abwarten, bis die Led des programmierten Ausgangs aufleuchtet;

**TABELLE 10**

Bewegungsanzahl	Blinkleuchte Flash	Leuchtmelder Wartung
Unter 80% des Grenzwertes	Normal (0,5 Sek. ein, 0,5 Sek. aus)	2 Sekunden lang eingeschaltete Meldeleuchte, zu Beginn der Öffnungsbewegung
Zwischen 81% und 100% des Grenzwertes	Zu Beginn 2 Sekunden lang eingeschaltet, dann normale Funktion	Blink während der ganzen Dauer der Bewegung
Über 100% des Grenzwertes	Zu Beginn und am Ende der Bewegung 2 Sekunden lang eingeschaltet, dann normal weiter	Blinkt immer

06. Die Taste „▲“ oder „▼“ drücken, damit das Leuchten auf eine andere Led als L8 übergeht;

07. Die Taste „Set“ loslassen und auf den Timeout zum Verlassen des Programmierverfahrens warten.

In diesem Moment wurde der Wartungshinweis gelöscht.

Anmerkung – Die erneute Programmierung des Ausgangs LIGHT mit der Vorrichtung durchführen, die verwendet werden soll, und sie daraufhin wieder am Ausgang anschließen.

### 7.3 - Vorrichtungen zufügen oder entfernen

In jedem Moment ist es möglich, neue Vorrichtungen zuzufügen, die mit dem Eingang BlueBus und Stopp verbunden sind, oder um andere zu beseitigen. Um dies auszuführen, wie folgt vorgehen:

01. Die Tasten „▲“ und „Set“ drücken und gleichzeitig gedrückt halten;

02. (nach zirka 3 Sekunden) Die Tasten loslassen, wenn die LEDs L1 und L2 sehr schnell zu blinken beginnen;

03. Einige Sekunden abwarten, bis die Steuerung die Erlernungsphase der angeschlossenen Vorrichtungen beendet;

04. Am Ende dieser Phase muss die led STOPP eingeschaltet bleiben; die LEDs L1 und L2 werden sich ausschalten (eventuell werden L3 und L4 zu blinken beginnen) STOPP eingeschaltet bleiben; die LEDs L1 und L2 werden sich ausschalten (eventuell werden L3 und L4 zu blinken beginnen).

Nach der Ausführung dieses Verfahrens ist es notwendig, die Abnahme der Automatisierung erneut ausführen, wie in Kapitel 5.1 angegeben ist.

#### 7.3.1 - Eingang BlueBus

BlueBUS ist eine Technik, mit der kompatible Vorrichtungen mit nur zwei Leitern, auf denen sowohl die Stromversorgung als auch die Kommunikationssignale übermittelt werden, angeschlossen werden können. Alle Vorrichtungen werden an den 2 BlueBUS Leitern parallel geschaltet; eine Polung ist nicht zu beachten. Jede Vorrichtung wird einzeln, dank einer unverwechselbaren Adresse erkannt, die während der Installation zugewiesen wird. An das System Bluebus können Lichtschranken, Sicherheitsvorrichtungen, Steuervorrichtungen wie Tastaturen und Transponder-Karten-Lesegeräte, Meldeleuchten usw. angeschlossen werden. Die Steuerung erkennt während der Erlernung alle angeschlossenen Vorrichtungen einzeln und ist auch in der Lage, mit extremer Sicherheit eventuelle Störungen zu erkennen. Deshalb muss die Erlernungsphase ausgeführt werden, wenn eine an BlueBUS angeschlossene Vorrichtung hinzugefügt oder entfernt wird, wie in Abschnitt 4.4 beschrieben wird.

#### 7.3.2 - Lichtschranken

Das System Bluebus ermöglicht der Steuerung, die Lichtschranken zu erkennen, indem die Ausrichtung der diesbezüglichen Brücken eingestellt wird (siehe **Tabelle 11**), wodurch ermöglicht wird, den korrekten Wert der Hinderniserfassungsfunktion zuzuweisen. Die Adressierung muss sowohl an TX als auch an RX ausgeführt werden (wobei die Überbrückungen auf dieselbe Art anzuordnen sind). Überprüft werden muss, dass andere Lichtschrankenpaare nicht dieselbe Adresse haben.

Die Lichtschranken können wie in **Abb. D** gezeigt installiert werden. **Wichtig** – Nach der Installation oder Entfernung der Lichtschranken ist es notwendig, die Erlernungsphase der Vorrichtungen auszuführen, wie in Abschnitt 4.4 beschrieben ist.

Es besteht die Möglichkeit, die Lichtschranke TX oder RX innerhalb des Kastens des Schrankenhebers, an der dafür vorgesehen Stelle, zu installieren (**Abb. 53**).

Um die Lichtschranke zu installieren, wie folgt vorgehen:

01. Die Platine der Lichtschranke aus ihrer Box entfernen und dazu einen flachen Schraubendreher als Hebel verwenden (**Abb. 53-a**). **ACHTUNG!** - Die internen Elektrobauteile nicht beschädigen;

02. Die für die Lichtschranken vorgesehene in der Zubehörschachtel vorhandene Box öffnen (**Abb. 53-b**);

03. Die Platine am Boden der Box einrasten (**Abb. 53-c**);

04. Den für die Durchführung des Elektrokabels vorgesehenen Gummi durchbohren (**Abb. 53-d**);

05. Das Elektrokabel einziehen und an der Klemme der Lichtschranke anschließen (**Abb. 53-e**);

06. Den Boden der Box mit dem Deckel verschließen und dabei darauf achten, den Gummi in seinem Sitz zu blockieren (**Abb. 53-f**);

07. Die Box auf der auf der Seite des Kastens vorhandenen Linse einrasten, indem sie von oben nach unten geschoben wird (**Abb. 51-g**).

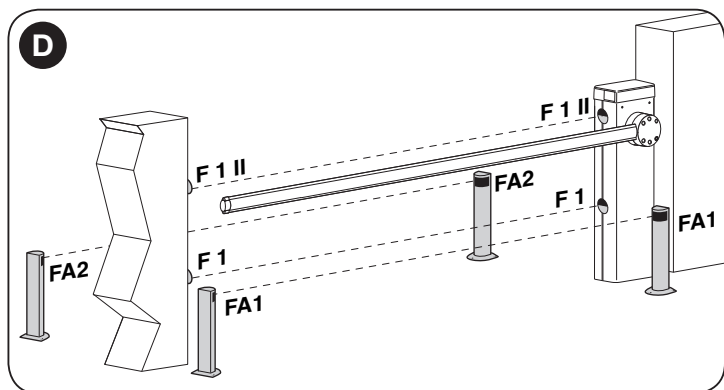


TABELLE 11 - ADRESSEN DER LICHTSCHRANKEN	
Lichtschranke	Überbrückungen
FOTO	Lichtschranke h = 50 Auslösung während Schließung
FOTO II	Lichtschranke h = 100 Auslösung während Schließung
FOTO 1	Lichtschranke h = 50 Auslösung während Schließung
FOTO 1 II	Lichtschranke h = 100 Auslösung während Schließung
FOTO 2	Lichtschranke mit Auslösung in Öffnung (kehrt bei Schließung um)
FOTO 2 II	Lichtschranke mit Auslösung in Öffnung (kehrt bei Schließung um)
FOTO 3	Lichtschranke mit Auslösung sowohl in Schließung als auch in Öffnung
FA1	Lichtschranke für Öffnungsbefehl (die Überbrückung A auf der Rückseite der Karten TX und RX durchtrennen)
FA2	Lichtschranke für Öffnungsbefehl (die Überbrückung A auf der Rückseite der Karten TX und RX durchtrennen)

**ANMERKUNG** – Es ist möglich, am Eingang Bluebus 2 Lichtschranken mit Funktion „Öffnet FA1“ und „Öffnet FA2“ anzuschließen (es ist erforderlich, die Überbrückung A auf der Rückseite der Karten TX und RX zu durchtrennen). Wenn diese Lichtschranken ansprechen, steuert die Zentrale eine Öffnungsbewegung. Für weitere Informationen siehe Bedienungsanleitung der Lichtschranken.

#### 7.3.3 - Digitales Codeschloss MOTB und Proximity-Lesegerät für Transponder-Cards MOMB

An BlueBUS können bis zu 4 digitale Schlüsseltaster MOTB oder 4 Transpondercard-Lesegeräte MOMB angeschlossen werden.

MOTB ermöglicht die Steuerung der Automatisierung durch Eingabe einer der gespeicherten numerischen Kombinationen.

Mit MOMB ist es möglich, die Automatisierung einfach zu steuern, indem die gespeicherte Transponder-Karte nah an den Sensor gebracht wird.

Diese Vorrichtungen sind mit einem unverwechselbaren Code ausgestattet, der durch die Steuerung während der Erlernung aller angeschlossenen Vorrichtungen erkannt und gespeichert (siehe Abschnitt 4.4).

Auf diese Weise wird jeder unerwünschter Versuch, eine Vorrichtung auszutauschen, vermieden, und kein Fremder kann die Automatisierung steuern. Für weitere Auskünfte wird auf die Anleitungen von MOTB und MOMB verwiesen.

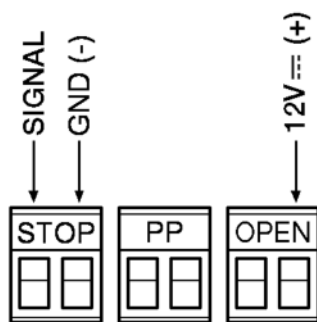
#### 7.3.4 - Eingang STOPP

Die Funktion des Eingangs STOPP ist das unverzügliche Anhalten der Bewegung, gefolgt von einer kurzen Umkehrung. An diesen Eingang können Vorrichtungen mit Ausgang mit gewöhnlich geöffnetem „NO“-Kontakt, mit gewöhnlich geschlossenem „NC“-Kontakt, OPTO SENSOR oder Vorrichtungen mit Ausgang mit konstantem 8,2 kΩ Widerstand angeschlossen werden. (Schaltlasten). Die Steuerung erkennt während der Erlernung die Art der angeschlossenen Vorrichtung und ruft einen STOPP hervor, wenn eine beliebige Variation des erlernten Status erfolgt. Mit entsprechenden Maßnahmen kann am Eingang STOPP mehr als eine Vorrichtung auch anderen Typs angeschlossen werden:

- Mehrere NO-Vorrichtungen können miteinander in unbegrenzter Menge parallel geschaltet werden.
- Mehrere NC-Vorrichtungen können miteinander in unbegrenzter Menge seriengeschaltet werden.
- Zwei Vorrichtungen mit konstantem 8,2 kΩ Widerstand können parallel geschaltet werden; im Falle von mehr als 2 Vorrichtungen müssen alle mit nur einem 8,2 kΩ Endwiderstand „Kaskaden geschaltet“ werden;
- Es ist auch eine NO- und NC-Kombination möglich, indem 2 Kontakte parallel angereicht werden. In diesem Fall werden an den NC-Kontakt ein 8,2 kΩ Widerstand seriengeschaltet, was auch die Kombination von 3 Vorrichtungen ermöglicht: NO, NC und 8,2 kΩ.

**Achtung** – Wenn der Eingang STOPP verwendet wird, um Vorrichtungen mit Sicherheitsfunktionen zu verbinden, müssen diese einen Ausgang mit einem konstanten Widerstand von 8,2 kΩ oder optische Vorrichtungen OPTO SEN-

E



SOR sein, die einen korrekten Sicherheitslevel bei Störungen gewährleisten. Für den Anschluss einer optischen Vorrichtung Typ OPTO SENSOR werden die Anschlüsse wie in **Abb. E** gezeigt ausgeführt; der maximal gelieferte Strom in der 12Vcc-Leitung beträgt 40 mA.

#### 7.4 - Diagnose

Einige Vorrichtungen sind vorgerüstet, um Meldungen abzugeben, mit denen die Erkennung des Betriebszustands oder eventueller Störungen möglich ist.

##### 7.4.1 - Signalisierungen der Steuerung

Die Leds der Klemmen und der Tasten in der Steuerung geben besondere Meldungen ab, um die normale Funktion sowie eventuelle Störungen abzugeben. In der **Tabelle 12** und **13** sind die Ursache und die Lösung für jede Anzeigart beschrieben.

**TABELLE 12 - Leds der Klemmen in der Steuerung**

BlueBUS-led	Ursache	Lösung
Aus	Störung	Prüfen, ob die Stromversorgung vorhanden ist; prüfen, ob die Sicherungen ausgelöst wurden; ggf. die Ursache des Defekts überprüfen, dann die Sicherungen mit anderen mit demselben Wert auswechseln.
Ein	Schwere Störung	Eine schwere Störung liegt vor, versuchen, die Steuerung ein paar Sekunden abzuschalten; falls dieser Status bleibt, ist ein Defekt vorhanden und die Platine muss ausgewechselt werden.
1 Mal Blinken pro Sekunde	Alles OK	Normalbetrieb der Steuerung
2 Mal kurzes Blinken	Es erfolgte eine Statusvariation der Eingänge	Ist normal, wenn eine Änderung an einem der Eingänge PP, STOP, OPEN oder CLOSE erfolgt, oder die Lichtschranken ansprechen, oder der Funksender benutzt wird.
Mehrmaliges Blinken unterbrochen	Verschiedenes	Ist dieselbe Anzeige, die an der Blinkleuchte über 1 durch eine Pause Sekunde erfolgt - (siehe Tabelle 15)
Led STOP	Ursache	Lösung
Aus	Auslösung des Eingangs STOPP	Die am Eingang STOPP angeschlossenen Vorrichtungen überprüfen
Ein	Alles OK	Eingang STOPP aktiv
Led PP	Ursache	Lösung
Aus	Alles OK	Eingang PP nicht aktiv
Ein	Auslösung des Eingangs PP	Es ist normal, wenn die am Eingang PP angeschlossene Vorrichtung effektiv aktiviert ist
Led OPEN	Ursache	Lösung
Aus	Alles OK	Eingang OPEN nicht aktiv
Ein	Auslösung des Eingangs OPEN	Ist normal, wenn die am Eingang OPEN angeschlossene Vorrichtung effektiv aktiviert ist
Led CLOSE	Ursache	Lösung
Aus	Alles OK	Eingang CLOSE nicht aktiv
Ein	Auslösung des Eingangs CLOSE	Ist normal, wenn die am Eingang CLOSE angeschlossene Vorrichtung effektiv aktiviert ist
Led Endschalter FC1	Ursache	Lösung
Aus	Endschalter ausgelöst	- Wenn der Parameter „Motorendrehrichtung Standard“ eingestellt ist, befindet sich der Schrankenbaum in der Position ganz geschlossen. - Wenn der Parameter „Motorendrehrichtung umgekehrt“ eingestellt ist, befindet sich der Schrankenbaum in der Position ganz geöffnet.
Ein	Endschalter nicht ausgelöst	- Wenn der Parameter „Motorendrehrichtung Standard“ eingestellt ist, befindet sich der Schrankenbaum in einer anderen Position als ganz geschlossen. - Wenn der Parameter „Motorendrehrichtung umgekehrt“ eingestellt ist, befindet sich der Schrankenbaum in einer anderen Position als ganz geöffnet.
Led Endschalter FC2	Ursache	Lösung
Aus	Endschalter ausgelöst	- Wenn der Parameter „Motorendrehrichtung Standard“ eingestellt ist, befindet sich der Schrankenbaum in der Position ganz geöffnet. - Wenn der Parameter „Motorendrehrichtung umgekehrt“ eingestellt ist, befindet sich der Schrankenbaum in der Position ganz geschlossen.
Ein	Endschalter nicht ausgelöst	- Wenn der Parameter „Motorendrehrichtung Standard“ eingestellt ist, befindet sich der Schrankenbaum in einer anderen Position als ganz geöffnet. - Wenn der Parameter „Motorendrehrichtung umgekehrt“ eingestellt ist, befindet sich der Schrankenbaum in einer anderen Position als ganz geschlossen.
Led Encoder	Ursache	Lösung
Ein	Der Magnet befindet sich vor dem Sensor	Wenn keine Bewegung läuft, ist es normal, andernfalls ist der Encoder defekt, oder das Kabel ist nicht richtig angeschlossen
Aus	Der Magnet befindet sich nicht vor dem Sensor	Wenn keine Bewegung läuft, ist es normal, andernfalls ist der Encoder defekt, oder das Kabel ist nicht richtig angeschlossen
Blinkt	Bewegung läuft	Alles OK, wenn die Bewegung läuft; das Blinken verhält sich proportional zur Geschwindigkeit. Anmerkung – Während der Ausführung der Bewegung, könnte das schnelle Blinken als leuchtende Led erscheinen.



**TABELLE 13 - Leds der Tasten in der Steuerung**

<b>Led 1</b>	<b>Beschreibung</b>
Aus	Zeigt beim Normalbetrieb an: „Automatische Schließung“ deaktiviert.
Ein	Zeigt beim Normalbetrieb an: „Automatische Schließung“ aktiviert.
Blinkt	<ul style="list-style-type: none"> <li>• Programmierung der Funktionen im Gang</li> <li>• Falls sie zusammen mit L2 blinkt, muss die Erlernung der Vorrichtungen ausgeführt werden (siehe Abschnitt 4.4).</li> </ul>
Schnelles Blinken	Nach dem Start der Steuerung wird ein Speicherfehler hinsichtlich der <u>angeschlossenen Vorrichtungen</u> angegeben. Gleichzeitig gibt die Led „Bluebus“ eine Diagnose-Signalisierung ab: 5 Mal Blinken, 1 Sekunde Pause, 5 Mal Blinken. In diesem Fall ist es notwendig, die Erlernungsphase der angeschlossenen Vorrichtungen auszuführen (siehe Abschnitt 4.4) oder den Speicher zu löschen (siehe Abschnitt 7.1).
<b>Led 2</b>	<b>Beschreibung</b>
Aus	Zeigt beim Normalbetrieb an: „Zulauf nach Durchfahrt der Lichtschranke“ deaktiviert.
Ein	Zeigt beim Normalbetrieb an: „Zulauf nach Durchfahrt der Lichtschranke“ aktiviert.
Blinkt	<ul style="list-style-type: none"> <li>• Programmierung der Funktionen im Gang</li> <li>• Falls sie zusammen mit L1 blinkt, muss die Erlernung der Vorrichtungen ausgeführt werden (siehe Abschnitt 4.4)</li> </ul>
Schnelles Blinken	Nach dem Start der Steuerung wird ein Speicherfehler hinsichtlich der <u>Maße</u> angegeben. Gleichzeitig gibt die Led „Bluebus“ eine Diagnose-Signalisierung ab: 5 Mal Blinken, 1 Sekunde Pause, 5 Mal Blinken. In diesem Fall ist es notwendig, die Erlernungsphase der Öffnungs- und Schließpositionen auszuführen (siehe Abschnitt 4.5) oder den Speicher zu löschen (siehe Abschnitt 7.1).
<b>Led 3</b>	<b>Beschreibung</b>
Aus	Während der normalen Funktion wird „Schließt immer“ nicht aktiv angegeben.
Ein	Während der normalen Funktion wird „Schließt immer“ aktiv angegeben.
Blinkt	<ul style="list-style-type: none"> <li>• Programmierung der Funktionen im Gang</li> <li>• Falls sie zusammen mit L4 blinkt, muss die Erlernung der Positionen Öffnung und Schließung der Schranke ausgeführt werden (siehe Abschnitt 4.5).</li> </ul>
Schnelles Blinken	Nach dem Start der Steuerung wird ein Speicherfehler hinsichtlich der <u>Parameter und Konfigurationen</u> angegeben. Gleichzeitig gibt die Led „Bluebus“ eine Diagnose-Signalisierung ab: 5 Mal Blinken, 1 Sekunde Pause, 5 Mal Blinken. In diesem Fall ist es notwendig, den Speicher zu löschen (siehe Abschnitt 8.1), die Erlernung der angeschlossenen Vorrichtungen (siehe Abschnitt 4.4) und die Erlernung der Positionen Öffnung und Schließung (siehe Abschnitt 4.5).
<b>Led 4</b>	<b>Beschreibung</b>
Aus	Zeigt beim Normalbetrieb an: „Standby“ deaktiviert.
Ein	Zeigt beim Normalbetrieb an: „Standby“ aktiviert.
Blinkt	<ul style="list-style-type: none"> <li>• Programmierung der Funktionen im Gang</li> <li>• Falls sie zusammen mit L3 blinkt, muss die Erlernung der Positionen Öffnung und Schließung der Schranke ausgeführt werden (siehe Abschnitt 4.5).</li> </ul>
Schnelles Blinken	Es wurde ein Kurzschluss, oder eine übermäßige Stromaufnahme an einem der 3 Klemmenausgänge festgestellt. Die Anschlüsse und die an den verschiedenen Ausgängen angeschlossenen Vorrichtungen überprüfen.
<b>Led 5</b>	<b>Beschreibung</b>
Aus	Zeigt beim Normalbetrieb an: „Kurze Verlangsamung“ aktiviert.
Ein	Zeigt beim Normalbetrieb an: „Lange Verlangsamung“ aktiviert.
Blinkt	Programmierung der Funktionen im Gang.
Schnelles Blinken	Fehler bei der Encoder-Zählung, weil einer oder mehrere Magnete nicht gelesen werden, das Kabel nicht angeschlossen ist, oder es die dritte aufeinanderfolgende Bewegung ist, bei der die Funktion „Erfassung von Hindernissen“ eingreift. Überprüfen, dass alle Magnete gelesen werden, das Kabel angeschlossen ist und sich in gutem Zustand befindet.
<b>Led 6</b>	<b>Beschreibung</b>
Aus	Zeigt beim Normalbetrieb an: „Vorwarnung“ deaktiviert.
Ein	Zeigt beim Normalbetrieb an: „Vorwarnung“ aktiviert.
Blinkt	Programmierung der Funktionen im Gang.
Schnelles Blinken	<ul style="list-style-type: none"> <li>- Die Endschalter sind umgekehrt. Die Verkabelung der Endschalter umkehren oder prüfen, dass der Parameter „Motorendrehrichtung“ eingestellt ist.</li> <li>- Nach Übermittlung eines Bewegungsbefehls wurde der Endschalter nicht innerhalb des festgelegten Zeitraums freigegeben: Prüfen, ob die Bewegung behindert ist; ggf. die Funktion „Anlauf“ aktivieren.</li> </ul>
<b>Led 7</b>	<b>Beschreibung</b>
Aus	Zeigt beim Normalbetrieb an: „Strommessung (Empfindlichkeit)“ deaktiviert.
Ein	Zeigt beim Normalbetrieb an: „Strommessung (Empfindlichkeit)“ aktiviert.
Blinkt	Programmierung der Funktionen im Gang.
Schnelles Blinken	Kommunikationsfehler Master/Slave. Überprüfen, ob das Kabel angeschlossen ist bzw. die Polarität des Verbindungskabels Master/Slave überprüfen, oder überprüfen, dass die Erfassungsphase Master/Slave für beide Steuerungen ausgeführt worden ist (siehe Abschnitt 7.6 – „Master/Slave“)
<b>Led 8</b>	<b>Beschreibung</b>
Aus	Während der normalen Funktion wird angezeigt, dass das Schließen der Schranke links eingestellt ist.
Ein	Während der normalen Funktion wird angezeigt, dass das Schließen der Schranke rechts eingestellt ist.
Blinkt	Programmierung der Funktionen im Gang.
Schnelles Blinken	Fehler Schrankenausführung. Der Schrankentyp stimmt nicht mit der in der Steuerung gespeicherten Ausführung überein. Überprüfen, dass die Verkabelung der Ausführung sich in gutem Zustand befindet und richtig angeschlossen ist. Besteht der Fehler weiterhin, den Speicher löschen und eine neue Installation ausführen.

## 7.4.2 - Signalisierungen der Blinkleuchte

Wenn am Ausgang FLASH in der Steuerung eine Blinkleuchte angeschlossen wird (oder die Led-Blinkleuchte verwendet wird - optionales Zubehörteil), blinkt diese während einer Bewegung mit Abständen von 1 Sekunde. Wenn Störungen auftreten, blinkt die Blinkleuchte mit kürzeren Abständen, diese werden

zweimal wiederholt und sind von einer 1 Sekunden langen Pause getrennt. Dieselben Anzeigen werden auch durch die Led-Blinkleuchte (optionales Zubehörteil) und die Led „Bluebus“ abgegeben. In der **Tabelle 14** sind die Ursache und die Lösung für jede Anzeigart beschrieben.

**TABELLE 14**

Meldung	Ursache	Lösung
1 Mal Blinken 1 Sekunde Pause 1 Mal Blinken	Fehler im System Bluebus	Die Überprüfung der an BlueBUS angeschlossenen Vorrichtungen, die zu Beginn der Bewegung ausgeführt wird, entspricht nicht den während der Erlernung gespeicherten Vorrichtungen. Es ist möglich, dass gestörte Vorrichtungen vorliegen, somit prüfen und ersetzen. Wenn Änderungen vorgenommen wurden, muss die Erlernung der Vorrichtungen erneut ausgeführt werden (siehe Abschnitt 4.5).
2 Mal Blinken 1 Sekunde Pause 2 Mal Blinken	Auslösung einer Lichtschranke	Bei Bewegungsbeginn wird die Zustimmung zur Bewegung von einer oder mehreren Lichtschranken nicht gegeben; prüfen, ob Hindernisse vorhanden sind.
3 Mal Blinken 1 Sekunde Pause 3 Mal Blinken	Auslösung des „Motorkraft“-Begrenzers	Während der Bewegung war mehr Reibung an der Schranke vorhanden; Ursache überprüfen.
4 Mal Blinken 1 Sekunde Pause 4 Mal Blinken	Auslösung des Eingangs STOPP	Am Anfang oder während der Bewegung erfolgte eine Auslösung des Eingangs STOPP; Ursache überprüfen.
5 Mal Blinken 1 Sekunde Pause 5 Mal Blinken	Fehler in den internen Parametern der Steuerung	Die Versorgung trennen und wieder anschließen. Besteht der Fehler weiterhin, ein „Vollständiges Löschen des Speichers“ durchführen, wie in Kapitel 7.1 beschrieben und eine neue Installation ausführen; wenn der Zustand bestehen bleibt, könnte es sein, dass eine schwere Störung vorliegt, und die Platine ausgewechselt werden muss.
6 Mal Blinken 1 Sekunde Pause 6 Mal Blinken	Nicht verwendet	—
Mal Blinken 1 Sekunde Pause 7 Mal Blinken	Fehler in den internen elektrischen Kreisläufen	Alle Versorgungskreisläufe ein paar Sekunden lang abtrennen, dann einen Befehl erteilen; sollte dieser Status bleiben, könnte ein schwerer Defekt an der Steuerkarte oder der Motorverdrahtung vorhanden sein. Überprüfen und ggf. auswechseln.
8 Mal Blinken 1 Sekunde Pause 8 Mal Blinken	Nicht verwendet	—
Mal Blinken 1 Sekunde Pause 9 Mal Blinken	Automatisierung blockiert	Die Steuerung „Entriegeln Automatisierung“ geben oder die Bewegung mit „Schrittbetrieb hohe Priorität“ steuern.

## 7.5 - Loop Detector

Die Steuerung verfügt über zwei Kreisläufe, die zur Erfassung von Metallmassen (Motorräder, Autos, LKWs, usw....) bestimmt sind; jeder Kreislauf kann durch den Einsatz einer Induktionsschleife vervollständigt werden, bestehend aus einem unipolaren Kabel, das einige Zentimeter tief unter der Erde platziert werden muss.

### 7.5.1 - Funktionsweise

Wenn die Steuerung beim Vorbeifahren einer Metallmasse über der Kontaktschleife eine Frequenzveränderung erfasst, aktiviert sie eine Bewegung, oder einen Ausgang (Ausgang 1, 2, 3), um die Blinkleuchte, die Meldeleuchte Schranke geöffnet oder die Schrankenlichter zu aktivieren. Die werkseitige Einstellung steuert eine Öffnungsbewegung der Schranke; solange die Kontaktschleife in Funktion ist, ist es nicht möglich, die Schließbewegung zu steuern.

Wenn die Steuerung versorgt wird, führt sie eine Kalibrierung durch, d.h. eine Messung der Frequenz der Funktion jeder Kontaktschleife; sind keine Kontaktschleifen an der Steuerung angeschlossen, schaltet der Kreislauf nach 30 Sekunden automatisch ab.

Es ist möglich, die „Empfindlichkeit der Erfassung von Metallmassen“ auf 8 Stufen einzustellen (siehe Tabelle 7 Kapitel 6). Werkseitig ist sie auf 90% eingestellt. Durch Einsatz des Oview-Programmiergeräts ist es möglich, andere dem Loop Detector zugeordnete Parameter und Funktionsweisen zu verändern.

Die möglichen Programmierungen sind die Folgenden, siehe auch die **Tabelle 15** für die Werte:

- **Empfindlichkeit Loop:** Stellt die Mindestfrequenzveränderung der Metallmasse ein, die notwendig ist, um die Bewegung zu aktivieren. Bezugsparameter:
  - Einstellen einer „hohen Empfindlichkeit“ zur Erfassung von kleinen Metallmassen.
  - Einstellen einer „geringen Empfindlichkeit“ zur Erfassung von großen Metallmassen.
- **Versorgung Loop:** Aktiviert oder deaktiviert die Kreisläufe des Loop Detectors.
- **Aktiviert Loop 1, 2:** Der Eingriff der Kontaktschleife aktiviert die Bewegung des Schrankenhebers entsprechend der eingestellten Funktionsweisen. Wird die Funktion DEAKTIVIERT, ist der Zustand der Kontaktschleife verfügbar, indem einer der in der Steuerung vorhandenen Ausgänge (Ausgang 1, 2, 3) mit dem Oview-Programmiergerät entsprechend programmiert wird.

- **Verweilzeit der Kontaktschleife:** Zeit, während der die Kontaktschleife beschäftigt ist. Nach Ablauf dieser Zeit aktiviert sich automatisch eine Neukalibrierung, um die freie Kontaktschleife zu signalisieren.

- **Funktionsweise Loop:** Ist die Funktion „Aktiviert Loop“ aktiviert und das Schleifensteuersignal AKTIV, verändert sich das Verhalten der Schrankenhebers entsprechend der eingestellten „Funktionsweise Loop“:

- Öffnet nur (öffnet Wohnblock)

- Schließt nur

- Halt

- Lichtschranke schließt (FOTO mit vollständiger Umkehr). **ACHTUNG! – Die als „Foto Schließen“ konfigurierte Winde ist keine Sicherheitsvorrichtung; daher kann ein Auslösen unter allen Bedingungen nicht garantiert werden. Hier ist zu beachten, dass die Steuerung bei jedem Start eine Kalibrierung durchführt und hierzu die Abwesenheit von metallischen Massen oberhalb der Winden betrachtet.**

- **Kalibrierung:** Startet ein Kalibrierverfahren; d.h. die Erkennung der angeschlossenen Kontaktschleife. Hinweis: Die Kalibrierung aktiviert automatisch den Parameter „Versorgung Loop“

- **Aktivierungsarten:** siehe **Tabelle 16** (Relais = Schleifensteuersignal).

- **Aktivierungszeit Loop:** Die Zeit „t“, die mit den Funktionsweisen verbunden ist, die in der **Tabelle 16** beschrieben sind.

- **Anzeige Schleifenfrequenz:** Zeigt die Schwingungsfrequenz der ausgewählten Schleife in Hz an.

### 7.5.2 - Installation

#### HINWEISE

- Es wird empfohlen, die Magnetschleife in der Nähe des Schrankenhebers zu installieren.
- Die Elektrokabel der Magnetschleifen müssen von den anderen Kabeln des Schrankenhebers (Versorgung, Zubehörteile, usw.) getrennt werden.
- Wenn die Magnetschleifen an verschiedenen Schrankenhebern angeschlossen sind, müssen sie in mindestens 1 m Abstand zueinander platziert werden.
- **Wichtig!** – Die Magnetschleife muss so befestigt werden, dass sie sich nicht bewegen kann, da etwaige Bewegungen durch unstablen Boden fehlerhafte Eingriffe verursachen könnten.
- Die Größe der Kontaktschleife muss in Funktion der Anwendung bestimmt werden; es ist darauf zu achten, dass die Kontaktschleife in einer Entfernung von mindestens 20 cm zu festmontierten Metallgegenständen und 1 m zu

beweglichen Metallgegenständen platziert werden muss (**Abb. F**). Anmerkung – Um eine optimale Funktionsweise zu erzielen, wird empfohlen, eine Kontaktschleife zu verwenden, die kleiner oder gleich groß wie der zu erfassende Gegenstand ist.

- Normalerweise hat die für die Durchfahrt von Autos und LKWs verwendete Kontaktschleife eine rechteckige Form, die im 45°-Winkel zur für die Durchfahrt von Fahrrädern und Motorrädern vorbereiteten Fahrbahn platziert werden muss (**Abb. G**). Anmerkung – Es wird empfohlen, die 45°-Ecken des Schlitzes im Boden zuzuschneiden, um Beschädigungen am Kabel zu vermeiden.

• **WICHTIG – UM INTERFERENZEN ZU VERMEIDEN, MÜSSEN DIE ANSCHLUSSKABEL DER KONTAKTSCHLEIFE MINDESTENS 20 MAL PRO METER VERKNÜPFT SEIN UND ES DÜRFEN KEINE VERBINDUNGSSTELLEN VORLIEGEN.** Sollte ein Kabel verlängert werden müssen, die Leiter zusammenlöten und mit einer Wärmeschrumpfhülle versiegeln. **Die Länge des verdrehten Kabels muss unter 20 m liegen.**

01. Nach Bestimmung der Schleifenlänge, einen Schlitz in den Boden machen (Breite = 8 mm und Tiefe = 30-50 mm (**Abb. H**);
02. Den Schlitz säubern, die Kontaktschleife hineinlegen, und versuchen das Erdreich zu verdichten, um zu vermeiden, dass sie sich bewegt;

03. Die Anzahl der Umdrehungen der Kontaktschleife auf Grundlage des Umfangs ausführen, wie in **Tabelle 17** angegeben: Ein unipolares isoliertes Kupfer-Kabel mit Durchmesser 1,5 mm<sup>2</sup> verwenden (**Abb. H**);

04. Bevor der Schlitz versiegelt wird, prüfen, dass der Wert der Induktionsschleife zwischen 100 und 400 uH liegt, oder über das Oview-Programmiergerät prüfen, dass der gemessene Frequenzwert (Parameter „Frequenz Loop“) zwischen 30 und 90 KHz liegt.

05. Die Kontaktschleife mit etwas Sand bedecken, um sie zu schützen, und dann den Schlitz mit Bitumen oder Harz für den Außenbereich versiegeln (**Abb. H**). **Achtung!** – Die Temperatur des Versiegelungsmaterials darf nicht über der zulässigen Höchsttemperatur für die Kabelisolierung liegen, da es andernfalls zu einem Verlust der Isolierung zur Erde hin kommen könnte;

06. Die Elektrokabel müssen an die Klemmen **Loop1 (Abb. I)** und **Loop2 (Abb. L)** angeschlossen werden. Die Klemme Loop2 bietet 2 Anschlussmöglichkeiten (**Abb. L**); je nach verwendetem Anschluss verändert sich die Betriebsfrequenz der Kontaktschleife.

**Achtung!** – Wenn die Kontaktschleife Loop1 in der Nähe der Kontaktschleife Loop2 platziert ist, und beide mit der selben (oder fast selben) Frequenz arbeiten, könnten Interferenzen auftreten; in diesem Fall ist es erforderlich, den Anschluss an Klemme Loop2 zu ändern.

TABELLE 15

Funktion	Werte	Default
Empfindlichkeit Loop 1	10 – 100%	90%
Empfindlichkeit Loop 2	10 – 100%	90%
Versorgung Loop	On – Off	On
Aktiviert Loop 1	On – Off	On
Aktiviert Loop 2	On – Off	On
Funktionsweise Loop 1	auswähl9BAR	Öffnet
Funktionsweise Loop 2	auswähl9BAR	Öffnet
Verweilzeit Kontaktschleife 1	2 – 20 = immer	20 = immer
Verweilzeit Kontaktschleife 2	2 – 20 = immer	20 = immer
Funktion Ausgang 1, 2, 3: Aktiviert Out (1,2,3) für Loop 1	auswähl9BAR	off
Funktion Ausgang 1, 2, 3: Aktiviert Out (1,2,3) für Loop 2	auswähl9BAR	off
Kalibrierung [auch beim Start ausgeführt]	on – off	
Aktivierungsart* Loop 1: Zeit Loop 1	1 – 5 0 – 25 s	1 2s
Aktivierungsart* Loop 2: Zeit Loop 2	1 – 5 0 – 25 s	1 2s
VAnzeige Frequenz Kontaktschleife 1	0 - 100000	-
Anzeige Frequenz Kontaktschleife 2	0 - 100000	-

TABELLE 16

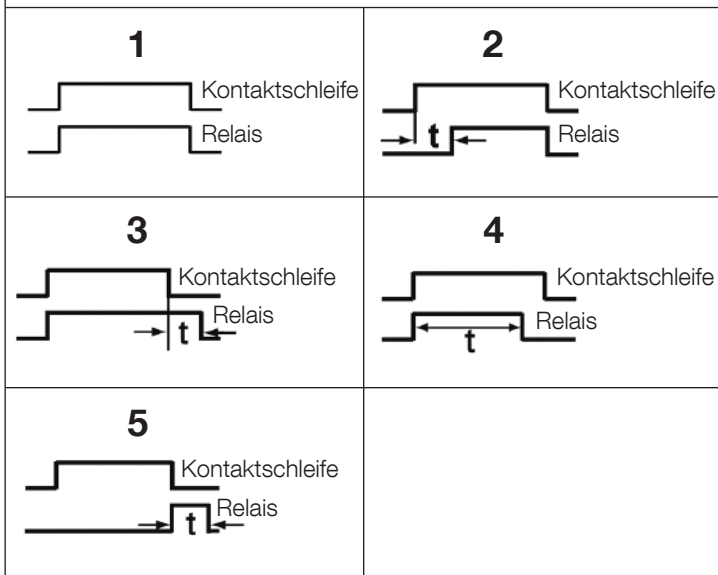
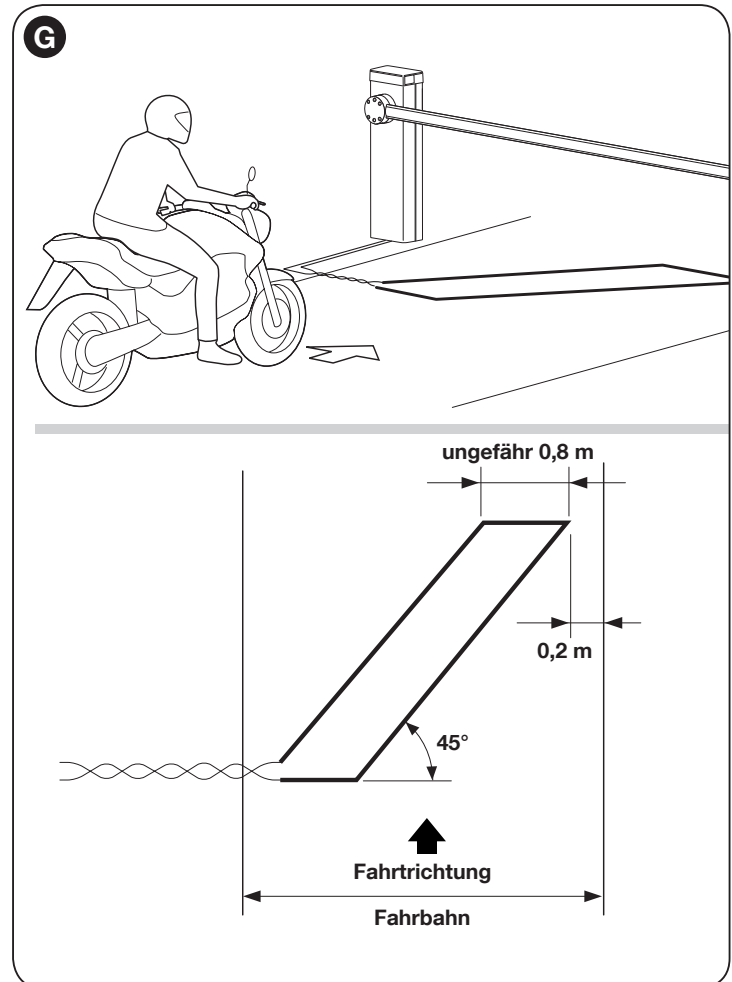
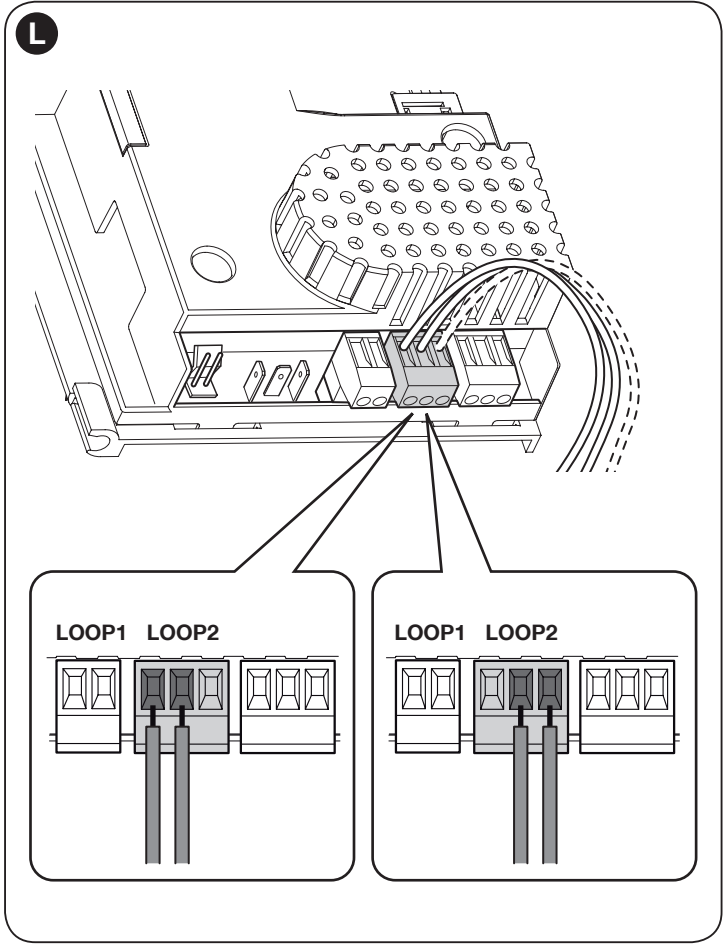
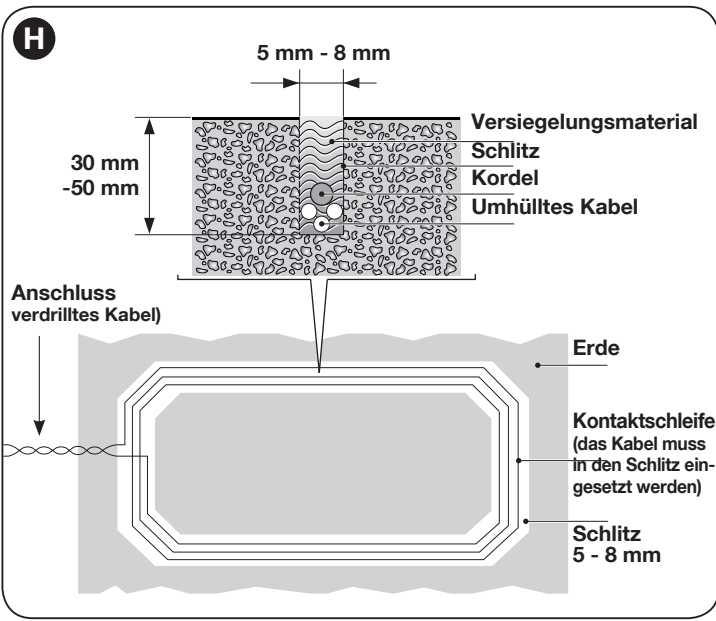
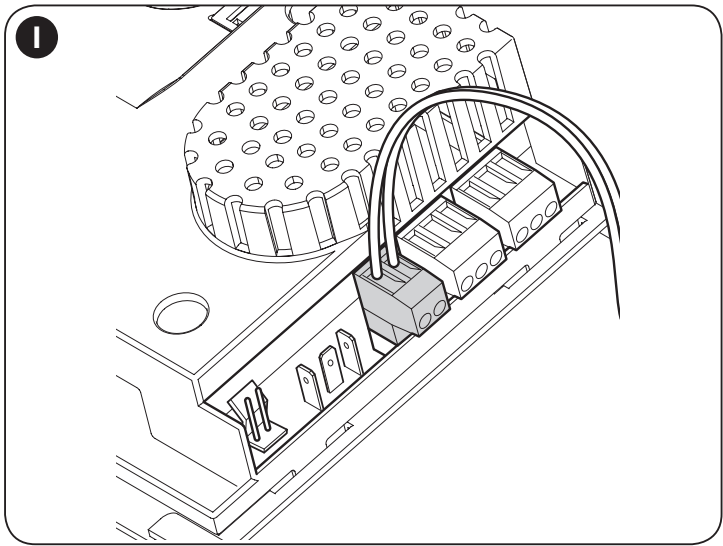
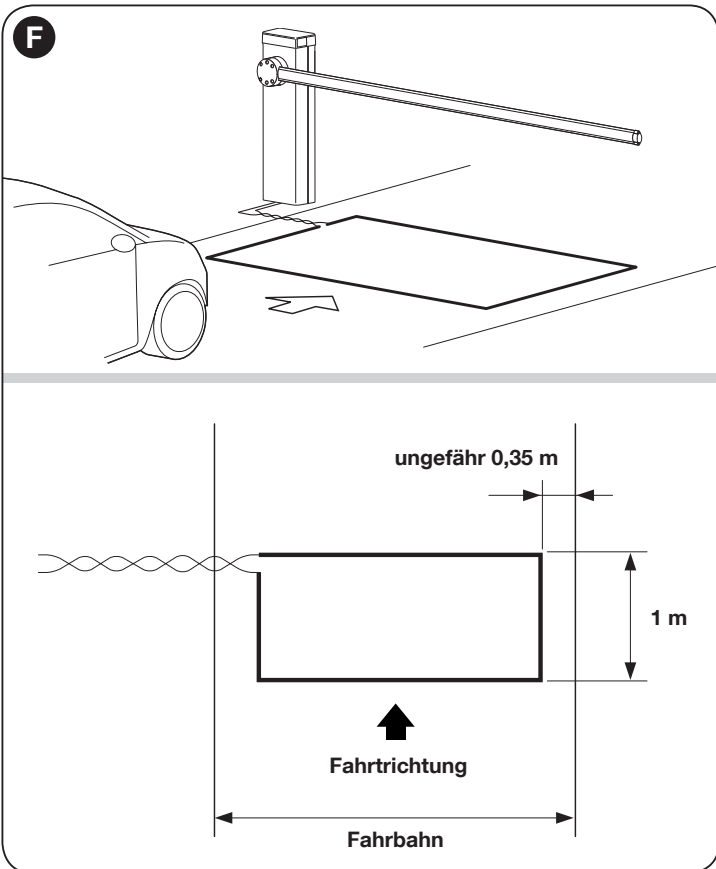


TABELLE 17

Umfang der Kontaktschleife	Anzahl der auszuführenden Umdrehungen
2 – 4 m	6
4 – 7 m	5
7 – 12 m	4
über 12 m	3

**Anmerkung** – Wenn am Platzierungsort der Kontaktschleife, im Boden, etwaige Metallbewehrungen vorhanden sind, verringert sich die Induktionsfähigkeit der Kontaktschleife. In diesem Fall müssen zur Wicklung des Kabels 2 Umdrehungen hinzugefügt werden





**7.6 - Modus Master - Slave**

Diese Betriebsart wird verwendet, wenn 2 gegenüber liegende Schrankenheber automatisiert werden sollten, die die Bewegungen auf synchronisierte Weise ausführen. In dieser Betriebsart funktioniert eine Schranke als Master (Meister) und steuert die Bewegungen, während die zweite als Slave (Diener) funktioniert und die vom Schrankenheber Master übermittelten Befehle ausführt; werkseitig sind alle Schrankenheber als Master eingestellt. Um den Schrankenheber als Slave zu konfigurieren, muss die Funktion des ersten Niveaus „Slave Modus“ aktiviert werden (siehe Tabelle 7). Die Verbindung zwischen Master und Slave erfolgt über BusT4 mit dedizierter Steckverbindung Master/Slave.

**Achtung!** – Wenn das Oview-Programmiergerät verwendet wird, muss der Parameter „Gruppe“ oder „Adresse“ einer der 2 Schranken verändert werden. Das, um die gleichzeitige Kommunikation der 2 Steuerungen mit dem Oview-Programmiergerät zu verhindern.

**7.6.1 - Installation und elektrische Anschlüsse**

**Hinweise**

- Alle Vorrichtungen, einschließlich der Funkempfänger, müssen am Schrankenheber Master angeschlossen werden;
- Wenn die Pufferbatterie verwendet wird, muss jeder Schrankenheber eine eigene haben;

- Am Schrankenheber **Slave** können die folgenden Anschlüsse durchgeführt werden:
  - eine eigene Blinkleuchte (Flash)
  - eine eigene Meldeleuchte Schranke geöffnet (S.C.A.)
  - Schrankenlichter
  - eine eigene Schaltleiste (Stop)
  - eine eigene Steuervorrichtung (P.P. = Schrittbetrieb) für die vollständige Öffnung nur der Schranke Slave.
  - die Eingänge Open und Close werden nicht verwendet
  - Die Eingänge Loop1 und Loop2 sind im Modus „Öffnet“ programmiert
  - der Funkempfänger

Um 2 Schrankenheber zu installieren und sie im Modus „Master - Slave“ zu programmieren, wie folgt vorgehen:

- 01.** Die Installation der 2 Schrankenheber (**Abb. M**) durchführen. Es ist nicht wichtig, welcher der beiden als Master oder Slave funktioniert; es gilt die praktischen Gesichtspunkte für die Durchführung der elektrischen Anschlüsse zu erwägen und dass der Befehl „Schrittbetrieb“, den der Schrankenheber Slave ausführen wird, die vollständige Öffnung **nur** des Schrankenhebers Slave ermöglicht;
- 02.** Die beiden Steuerungen über die Steckverbindung Master/Slave miteinander verbinden (**Abb. 54**), und dabei auf die angegebene Polarität achten;
- 03.** An diesem Punkt die anderen elektrischen Anschlüsse durchführen (**Abb.**

54), und dabei auf die Hinweise in Kapitel 4 - Elektrische Anschlüsse Bezug nehmen;

04. Nach Durchführung aller elektrischen Anschlüsse jede Steuerung mit Strom versorgen und für jede das beschriebene Verfahren in Abschnitt 4.2 - Ersteinrichtung und Prüfung der Anschlüsse ausführen.

**Achtung! – Wenn das Oview-Programmiergerät verwendet wird, muss der Parameter „Gruppe“ oder „Adresse“ einer der 2 Schranken verändert werden; das, um zu vermeiden, dass die 2 Steuerungen gleichzeitig mit dem Oview kommunizieren.**

05. Am **Schrankenheber Slave** folgende Programmierungen vornehmen:  
 a) Erlernung der angeschlossenen Vorrichtungen (siehe Abschnitt 4.4)  
 b) Erlernung der Öffnungs- und Schließ-Positionen (siehe Abschnitt 4.5)  
 c) Ausführung etwaiger Einstellungen  
 d) Den Parameter „Slave Modus“ aktivieren, wie in Abschnitt 6.1 beschrieben - Programmierung erstes Niveau (ON-OFF).

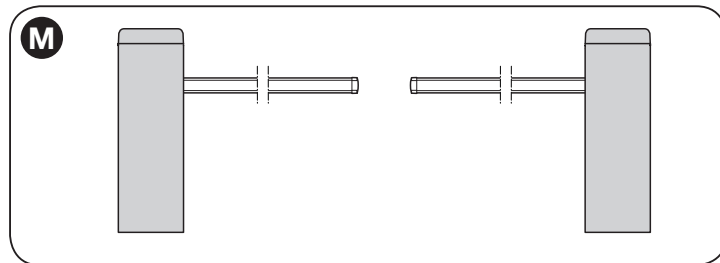
An dieser Stelle beginnt die Led **L7** zu blinken, um „Kommunikationsfehler Master-Slave“ anzuzeigen. Das passiert, weil die Kopplung der Schranke Master mit der Schranke Slave noch nicht durchgeführt worden ist.

**Wichtig!** - Am gegenüber liegenden Schrankenheber muss vor Durchführung der „Erlernung der Öffnungs- und Schließ-Positionen“, die **„Motorendrehrichtung“ eingestellt werden** (Parameter L8 - Tabelle 7, Abschnitt 6.1);

**Wichtig** – Daran denken, dass während des Betriebs alle am Schrankenheber Slave vorgenommenen Programmierungen ignoriert werden, da die am Schrankenheber Master vorrangig sind, mit Ausnahme derjenigen, die

in der **Tabelle 18** aufgeführt sind und sich nur auf den Schrankenheber Slave auswirken.

06. Am **Schrankenheber Master** folgende Programmierungen vornehmen:  
 a) Erlernung der angeschlossenen Vorrichtungen (siehe Abschnitt 4.4)  
 b) Erlernung der Öffnungs- und Schließ-Positionen (siehe Abschnitt 4.5)  
 c) Ausführung etwaiger Einstellungen;  
 07. Zuletzt, **von der Steuerung Master**, einen Befehl senden, um eine Bewegung auszuführen, und prüfen, dass diese auch vom Schrankenheber Slave ausgeführt wird.



**TABELLE 18**

Funktionen der ersten Stufe (ON-OFF-Funktionen)	Funktionen der zweiten Stufe (einstellbare Parameter)
Standby	Motorgeschwindigkeit
Anlauf	Ausgang Flash
Modus „Slave“	Led-Ausgang
Lange/Kurze Verlangsamung	Motorkraft
Motorendrehrichtung	Bremmung

**Anmerkung** – Wenn man die Funktion „absolutes Standby“ bei den Schrankenhebern mit Master-Slave Konfiguration nutzen möchte, muss der elektrische Anschluss mit der Steckverbindung BusT4 ausgeführt werden, und **nicht mit der Master-Slave Steckverbindung**.

## 8 WAS TUN, WENN... (Leitfaden zum Lösen von Problemen)

Es folgen die eventuellen Fälle einer mangelhaften Funktion, die während der Installationsphase oder im Falle einer Störung auftreten können, sowie die möglichen Lösungen:

- **Der Funksender schaltet den Schrankenheber nicht und die led am Sender leuchtet nicht auf:** Prüfen, ob die Batterien des Senders leer sind, ggf. auswechseln.
- **Der Funksender schaltet den Schrankenheber nicht, aber die led am Sender leuchtet auf:** Prüfen, ob der Sender korrekt im Funkempfänger gespeichert ist. Außerdem mit diesem erfahrungsgemäßen Test prüfen, ob der Sender das Funksignal korrekt abgibt: auf eine beliebige Taste drücken und die led der Antenne eines beliebigen Funkgeräts nähern, das eingeschaltet und auf FM Frequenz 108,5 MHz gestellt sein muss (oder auf der nächsten): man müsste ein leichtes, pulsierendes und krächzendes Geräusch hören.
- **Wenn ein Befehl übersendet wird, wird keine Bewegung ausgeführt und die Led OK blinkt nicht:** Prüfen, ob der Schrankenheber mit der 230 Netzspannung gespeist ist. Prüfen, ob die Sicherungen F1 und F2 unterbrochen sind; in diesem Fall die Ursache des Defekts überprüfen, dann die Sicherungen mit anderen mit denselben Merkmalen auswechseln, siehe **Abb. 55**.
- **Wenn ein Befehl übersendet wird, wird keine Bewegung ausgeführt und die Blinkleuchte ist ausgeschaltet:** Prüfen, ob die Steuerung effektiv erhalten wurde; wenn die übersendete Steuerung am Eingang PP eintrifft, führt die Led OK ein doppeltes Blinken aus, um anzuzeigen, dass die Steuerung erhalten wurde.

**TABELLE 19**

### Diagnose mit Programmier-Led

<b>L1 schnelles Blinken:</b> Speicherfehler Vorrichtungen
<b>L2 schnelles Blinken:</b> Speicherfehler Maße
<b>L3 schnelles Blinken:</b> Speicherfehler Parameter
<b>L4 schnelles Blinken:</b> Kurzschluss Blinkleuchte oder zusätzliches Licht
<b>L5 schnelles Blinken:</b> Fehler Encoder-Zählung
<b>L6 schnelles Blinken:</b> Fehler umgekehrte Endschalter oder nicht innerhalb des programmierten Zeitraums freigegebene Endschalter
<b>L7 schnelles Blinken:</b> Kommunikationsfehler Master-Slave
<b>L8 schnelles Blinken:</b> Fehler Ausführung

• **Es erfolgt keine Bewegung und die Blinkleuchte blinkt mehrmals:** Die Blinkzahl zählen und die Bedeutung des Blinkens in der **Tabelle 19** prüfen.

• **Die Bewegung wird ausgeführt, aber kurz danach blockiert die Schranke oder führt eine kurze Umkehrung aus:** Die ausgewählte Kraft könnte einen zu niedrigen Wert aufweisen, um den Schrankenbaum zu bewegen. Den korrekten Ausgleich der Schranke prüfen; eventuell einen höheren Kraftwert einstellen. **Der Empfindlichkeitswert könnte zu hoch sein:** Den Empfindlichkeitswert verringern. Erfolgt der Eingriff in der Verlangsamungsphase, muss die Intensität der Bremsung verringert werden.

• **Die Bewegung wird mit langsamer Geschwindigkeit ausgeführt:** Die Bewegung startet bei einem der Endschalter nicht, oder die Steuerung erkennt den Endschalter nicht. Den elektrischen Anschluss des Endschalters prüfen.

• **Der Schrankenheber Slave führt die Bewegungen nicht aus:** Überprüfen, dass die Erfassungsphase „Master-Slave“ für beide Steuerungen ausgeführt worden ist.

• **Die Bewegung wird umgekehrt ausgeführt:** Prüfen, dass der Parameter „Motorendrehrichtung“ (Parameter L8 - Tabelle 7, Abschnitt 6.1) richtig eingestellt ist, oder die Kabel des Motors umkehren.

## ENTSORGUNG DES PRODUKTES

**Dieses Produkt ist vervollständigender Teil der Automatisierung und muss somit gemeinsam entsorgt werden.**

Wie die Installationsarbeiten muss auch die Abrüstung am Ende der Lebensdauer dieses Produktes von Fachpersonal ausgeführt werden.

Dieses Produkt besteht aus verschiedenen Materialarten: Einige können recycelt, andere müssen entsorgt werden. Informieren Sie sich über die Recycling- oder Entsorgungssysteme für dieses Produkt, die von den auf Ihrem Gebiet gültigen Verordnungen vorgesehen sind.

**Achtung!** – Bestimmte Teile des Produktes können Schadstoffe oder gefährliche Substanzen enthalten, die, falls in die Umwelt gegeben, schädliche Wirkungen auf die Umwelt und die menschliche Gesundheit haben könnten.

Wie durch das Symbol seitlich angegeben, ist es verboten, dieses Produkt zum Haushaltsmüll zu geben. Daher differenziert nach den Methoden entsorgen, die von den auf Ihrem Gebiet gültigen Verordnungen vorgesehen sind, oder das Produkt dem Verkäufer beim Kauf eines neuen, gleichwertigen Produktes zurückgeben.



**Achtung!** – Die örtlichen Verordnungen können schwere Strafen im Fall einer widerrechtlichen Entsorgung dieses Produktes vorsehen.

## TECHNISCHE MERKMALE DES PRODUKTS

**HINWEISE:** • Alle angegebenen technischen Merkmale beziehen sich auf eine Umgebungstemperatur von 20°C (±5°C). • Nice S.p.A. behält sich das Recht vor, jederzeit als nötig betrachtete Änderungen am Produkt vorzunehmen, wobei Funktionalitäten und Einsatzzweck beibehalten werden.

Modell	M3BAR	M5BAR	M7BAR	L9BAR
<b>Typologie</b>	Straßenschranke für Wohnblocks mit elektronischer Steuerung			
<b>Nutzdurchgang (m)</b>	2,32 ÷ 2,82	3,17 ÷ 4,82	5 ÷ 7	7 ÷ 9
<b>Max. Anlaufdrehmoment (Nm)</b>	100	200	300	400
<b>Nennmoment (Nm)</b>	30	70	90	130
<b>Öffnungszeit (in Sek. einstellbar)</b>	1,5 – 3	3 – 6	6 – 10	8 – 12
<b>Max. Häufigkeit der Betriebszyklen bei Nennmoment</b> die Steuerung begrenzt die Anzahl der Zyklen auf das maximal Vorgesehene – siehe Tab.T3)	600 Dauereinsatz	350 Dauereinsatz	200	150
<b>Lebensdauer</b>	Siehe Kapitel 3 - Abschnitt 3.2.1			
<b>Versorgungsspannung</b>	230V 50/60Hz	230V 50/60Hz	230V 50/60Hz	230V 50/60Hz
<b>Versorgungsspannung /V1</b>	120V 50/60Hz	120V 50/60Hz	120V 50/60Hz	120V 50/60Hz
<b>Beim Anlauf aufgenommene Spitzenleistung (W)</b>	150	110	110	160
<b>Höchstleistung bei Nennmoment (W)</b>	40	50	40	50
<b>Isolationsklasse</b>	1	1	1	1
<b>Notversorgung</b>	Ja (mit Zubehörteil PS224)			
<b>Photovoltaik-Versorgung</b>	Ja (mit Zubehörteil SYKCE)			
<b>Ausgang FLASH</b>	für 1 Blinkleuchte LUCYB, MLB oder MLBT (12V – 21W)			
<b>Ausgang LIGHT</b>	für optionales Zubehörteil „Schrankenlichter“ XBA4			
<b>Ausgang SCA</b>	für 24V (max. 10W) Meldeleuchte			
<b>Ausgang für Blinkleuchte / Ampel auf Deckel</b>	mit optionalen Zubehörteilen Led-Blinkleuchte XBA7 oder Led-Ampel XBA8			
<b>BlueBUS Ausgang</b>	1 Ausgang mit einer Höchstlast von 12 BlueBUS Einheiten			
<b>Eingang STOPP</b>	Für gewöhnlich geschlossene, gewöhnlich geöffnete Kontakte, Kontakte mit konstantem 8,2kΩ Widerstand, oder optischen Kontakt OSE; in Selbsterlernung (eine Variation im Vergleich zum gespeicherten Status ruft den Steuerbefehl „STOPP“ hervor)			
<b>Eingang PP</b>	Für gewöhnlich geöffnete Kontakte			
<b>Eingang ÖFFNET</b>	Für gewöhnlich geöffnete Kontakte			
<b>Eingang SCHLIESST</b>	Für gewöhnlich geöffnete Kontakte			
<b>Steckverbinder für Funkempfänger</b>	Verbinder SM für die Empfänger SMXI, SMXIS, OXI oder OXIT			
<b>Eingang Funkantenne</b>	50 Ω für Kabel Typ RG58 oder ähnliche			
<b>Eingänge Loop Detector</b>	2 pro Loop zwischen 2 und 16 m Umfang			
<b>Nenninduktivität Loop</b>	zwischen 100 und 400 μH			
<b>Programmierbare Funktionen</b>	8 ON-OFF-Funktionen und 8 einstellbare Funktionen (Tabelle 6 und 8) und weitere Programmierungen über Programmier- und Steuereinheit Oview			
<b>Funktionen in Selbsterlernung</b>	Selbsterlernung der am BlueBUS Ausgang angeschlossenen Vorrichtungen. Selbsterlernung der „STOPP“-Vorrichtung (NO-Kontakt, NC-Kontakt oder 8,2 kΩ Widerstand). Selbsterlernung der Positionen Öffnung und Schließung der Schranke und Berechnung der Stellen, an denen die Verlangsamung und die Teilöffnung erfolgen. Selbsterlernung der „Ausführung“			
<b>Betriebstemperatur</b>	-20°C ... +55°C	-20°C ... +55°C	-20°C ... +55°C	-20°C ... +55°C
<b>Schutzart</b>	IP54	IP54	IP54	IP54
<b>Abmessungen (mm)</b>	400 x 299 x 1215 h	400 x 299 x 1215 h	400 x 299 x 1215 h	500 x 299 x 1215 h
<b>Gewicht</b>	80 kg	80 kg	85 kg	98 kg

# ANLAGE I

Konformitätserklärung anzuwenden im Falle von Installationen, die nicht mit den Kriterien des Kapitels 1.3.1. übereinstimmen.

## EG-Konformitätserklärung und Erklärung für den Einbau Einer „unvollständigen Maschine“

Erklärung in Übereinstimmung mit den Richtlinien:  
1999/5/EG (R&TTE); 2014/30/UE (EMC); 2006/42/EG (MD) Anlage II, Teil B

Anmerkung - Der Inhalt dieser Erklärung entspricht den Angaben im offiziellen Dokument, das im Sitz der Nice S.p.A. hinterlegt ist und der letzten verfügbaren Revision vor dem Druck dieser Anleitung. Dieser Text wurde aus redaktionellen Gründen angepasst. Die Kopie der Original-Erklärung kann bei der Firma Nice S.p.A. (TV) Italy angefordert werden.

Nummer der Erklärung: **405/M-LBAR**

Revision: **12**

Sprache: **DE**

**Name des Herstellers:** NICE S.p.A.

**Adresse:** Via Pezza Alta N°13, 31046 Rustignè di Oderzo (TV) Italy

**Art des Produkts:** Elektromechanischer Schrankenheber

**Modell / Typ:** M3BAR, M5BAR, M7BAR, L9BAR, M3BARI, M5BARI, M7BARI, L9BARI

**Zubehör:** XBA14, XBA15, XBA4, XBA6, XBA18, XBA9, XBA7, XBA8, PS224, OVIEW Unit

Der Unterzeichner Roberto Griffa erklärt hiermit eigenverantwortlich als Chief Executive Officer, dass das oben genannte Gerät die Vorschriften der folgenden Richtlinien erfüllt:

- Richtlinie 1999/5/EG DES EUROPÄISCHEN PARLAMENTS UND DES RATES VOM 9. März 1999 über Funkanlagen und Telekommunikationsendgeräte und die gegenseitige Anerkennung ihrer Konformität, gemäß den folgenden harmonisierten Normen:
  - Gesundheitsschutz (Art. 3(1)(a)): EN 62479:2010
  - Elektrische Sicherheit (Art. 3(1)(a)): EN 60950-1:2006+A11:2009+A12:2011+A1:2010+A2:2013
  - Elektromagnetische Verträglichkeit (Art. 3(1)(b)): EN 301 489-1 V1.9.2:2011, EN 301 489-3 V1.6.1:2013
  - Funkspektrum (Art. 3(2)): EN 300 330-2 V1.6.1:2015

In Übereinstimmung mit der Richtlinie 1999/5/EG (Anlage III) entspricht das Produkt der Klasse 1

- RICHTLINIE 2014/30/EU DES EUROPÄISCHEN PARLAMENTS UND DES RATES vom 26. Februar 2014 zur Harmonisierung der Rechtsvorschriften der Mitgliedstaaten über die elektromagnetische Verträglichkeit (Neufassung), unter Anwendung folgender harmonisierter Normen: EN 61000-6-2:2005, EN 61000-6-3:2007+A1:2011
- RICHTLINIE 2014/35/EU DES EUROPÄISCHEN PARLAMENTS UND DES RATES vom 26. Februar 2014 zur Harmonisierung der Rechtsvorschriften der Mitgliedstaaten über die Bereitstellung elektrischer Betriebsmittel zur Verwendung innerhalb bestimmter Spannungsgrenzen auf dem Markt (Neufassung), unter Anwendung folgender harmonisierter Normen: EN 60335-1:2002 + A1:2004 + A11:2004 + A12:2006 + A2:2006 + A13:2008 + A14:2010 + A15:2011  
EN 60335-2-103:2003+A11:2009, EN 62233:2008

Außerdem entspricht das Produkt folgender Richtlinie, entsprechend der vorgesehenen Anforderungen für die „unvollständigen Maschinen“:

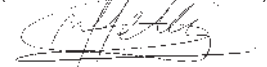
- RICHTLINIE 2006/42/EG DES EUROPÄISCHEN PARLAMENTS UND DES RATES vom 17. Mai 2006 über Maschinen, welche die Richtlinie 95/16/EG ändert (Überarbeitung)
  - Hiermit wird erklärt, dass die entsprechenden technischen Unterlagen in Übereinstimmung mit Anlage VII B der Richtlinie 2006/42/EG zusammengestellt und die folgenden wesentlichen Anforderungen eingehalten wurden:  
1.1.1- 1.1.2- 1.1.3- 1.2.1-1.2.6- 1.5.1-1.5.2- 1.5.5- 1.5.6- 1.5.7- 1.5.8- 1.5.10- 1.5.11
  - Der Hersteller verpflichtet sich, die Informationen über die „unvollständige Maschine“ auf Verlangen an die nationalen Behörden weiterzuleiten, wobei die eignen Rechte des geistigen Eigentums beibehalten werden.
  - Wenn die „unvollständige Maschine“ in einem europäischen Land in Betrieb genommen wird, deren offizielle Sprache nicht der in dieser Erklärung entspricht, ist der Importeur verpflichtet, dieser Erklärung die entsprechende Übersetzung beizulegen.
  - Wir weisen darauf hin, dass die „unvollständige Maschine“ erst dann in Betrieb genommen werden darf, wenn gegebenenfalls festgestellt wurde, dass die Maschine, in die die unvollständige Maschine eingebaut werden soll, den Bestimmungen der Richtlinie 2006/42/EG entspricht.

Das Produkt entspricht, auf die anwendbaren Teile begrenzt, folgenden Normen:

EN 13241-1:2003+A1:2011, EN 12445:2000, EN 12453:2000, EN 12978:2003+A1:2009

Oderzo, 23, Januar 2017

Ing. **Roberto Griffa**  
(Chief Executive Officer)







# Bedienungsanleitung

(muss dem Endkunden übergeben werden)

Bevor Sie die Automatisierung zum ersten Mal verwenden, lassen Sie sich von Ihrem Installateur erklären, wie Restrisiken entstehen können, und widmen Sie dem Lesen dieser Gebrauchsanleitung ein paar Minuten. Bewahren Sie die Anleitung für zukünftige Zweifelsfälle auf und übergeben Sie diese ggf. einem neuen Besitzer der Automatisierung.

**ACHTUNG! – Ihre Automatisierung ist eine Maschine, die Ihre Befehle getreu durchführt; ein verantwortungsloser und unsachgemäßer Gebrauch kann gefährlich werden:**

- **Steuern Sie die Bewegung der Automatisierung nicht, wenn sich in ihrem Wirkungskreis Personen, Tiere oder Gegenstände befinden.**
- **Es ist absolut verboten, Teile der Automatisierung zu berühren, wenn die Schranke in Bewegung ist!**
- **Der Durchgang/-fahrt ist nur erlaubt, wenn die Schranke vollständig geöffnet ist und stillsteht!**

## Hinweise

**1 - Kinder:** Eine Automatisierungsanlage gewährleistet einen hohen Sicherheitsgrad und verhindert mit ihren Schutzsystemen, dass sie sich in Anwesenheit von Personen und Gegenständen bewegt. Sie gewährleistet eine immer vorhersehbare und sichere Aktivierung. Als Vorsichtsmaßnahme sollte man aber Kindern verbieten, in der Nähe der Automatisierung zu spielen, und man sollte die Fernbedienungen nicht in der Reichweite von Kindern lassen: Es handelt sich nicht um ein Spiel!

**2 -** Das Produkt darf nicht von Personen (einschließlich Kindern) verwendet werden, deren physische, empfindungsbezogene oder geistige Fähigkeiten eingeschränkt sind, oder die keine Erfahrung oder Kenntnisse besitzen, außer wenn diese mittels einer für ihre Sicherheit verantwortlichen Person überwacht werden oder Anleitungen über die Anwendung des Produkts erhalten haben.

**3 - Störungen:** Schalten Sie die Stromversorgung zur Anlage ab, sobald Sie ein ungewöhnliches Verhalten der Automatisierung bemerken, und führen Sie die manuelle Entriegelung aus. Versuchen Sie nie, selbst Reparaturen auszuführen, sondern fordern Sie den Eingriff des Installateurs Ihres Vertrauens an: In der Zwischenzeit kann die Anlage wie eine nicht automatisierte Öffnungsvorrichtung funktionieren, nachdem der Antrieb wie nachfolgend beschrieben entriegelt worden ist. **Bei Beschädigungen oder bei Stromausfall** kann in Erwartung Ihres Installateurs oder der Rückkehr des Stroms, wenn die Anlage über keine Pufferbatterie verfügt, die Automatisierung trotzdem genutzt werden. Dazu muss der Antrieb manuell entriegelt werden (siehe Schritt 9 – Manuelle Entriegelung und Sperrung des Antriebs) und die Schranke wie gewünscht von Hand bewegt werden.

**4 - Steuerung bei nicht funktionierenden Sicherheitsvorrichtungen:** Sollten die am Schrankenheber vorhandenen Sicherheitsvorrichtungen nicht korrekt funktionieren, kann der Schrankenheber trotzdem bewegt werden:

- Einen Befehl zur Bewegung des Schrankenhebers erteilen (mit der Fernbedienung, dem Schlüsseltaster, usw.); wenn alles in Ordnung ist, wird sich die Schranke normal öffnen oder schließen, andernfalls wird die Blinkleuchte mehrmals blinken und die Bewegung startet nicht (die Anzahl der Blinkvorgänge hängt von der Ursache ab, weshalb die Bewegung nicht startet).
- In diesem Fall muss die Schaltvorrichtung innerhalb von drei Sekunden erneut betätigt werden und betätigt bleiben.
- Nach zirka 2 Sekunden beginnt die Bewegung des Schrankenhebers im „Todmann“-Modus, d.h. so lange die Steuerung betätigt gehalten wird, bewegt sich die Schranke weiter, **SOBALD DIE STEUERUNG LOSGELASSEN WIRD, HÄLT DIE SCHRANKE AN.**

**Wenn die Sicherheitsvorrichtungen außer Betrieb sind, muss der Automatismus so schnell wie möglich repariert werden.**

**5 -** Auch wenn Sie glauben zu wissen, wie das gemacht wird, verändern Sie die Anlage und die programmierten Parameter sowie die Einstellungen der Automatisierung nicht: Diese Verantwortung trägt Ihr Installateur.

**6 -** Die Endabnahme, die regelmäßigen Wartungen und etwaige Reparaturen müssen von demjenigen, der diese Arbeiten ausführt, dokumentiert werden, und die entsprechenden Belege sind vom Eigentü-

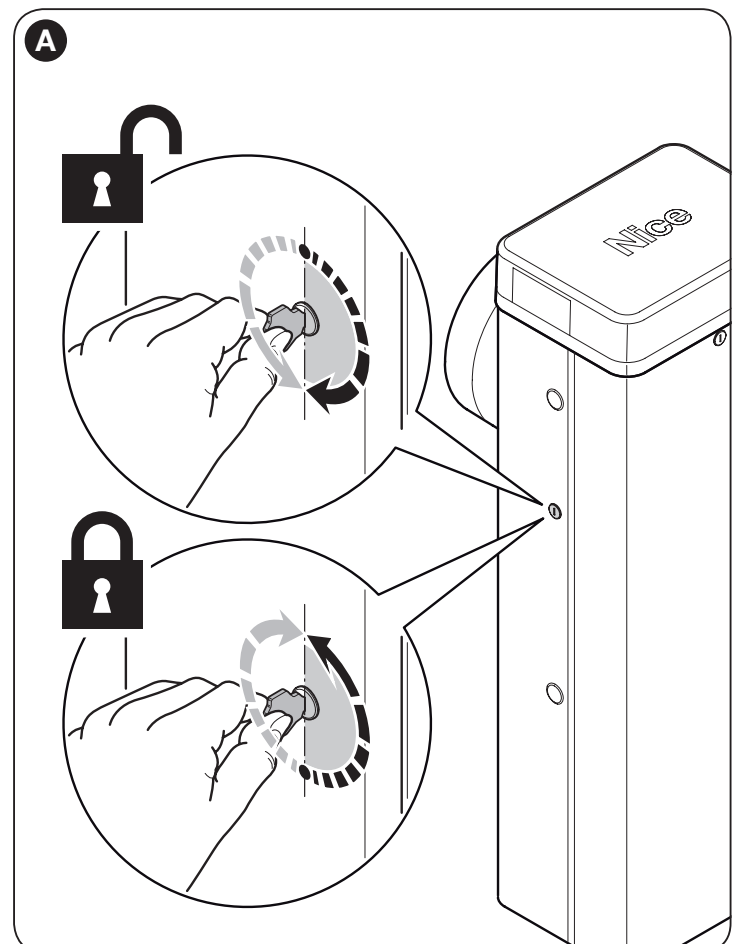
mer der Anlage aufzubewahren. Die einzigen Eingriffe, die für den Anwender möglich sind und die regelmäßig ausgeführt werden sollten, sind die Reinigung der Lichtschranken und der Automatisierung. Um zu verhindern, dass jemand den Schrankenheber betätigt, entriegeln Sie vor diesen Arbeiten den Automatismus (wie weiter vorne beschrieben) und verwenden Sie zur Reinigung nur ein leicht mit Wasser angefeuchtetes Tuch.

**7 - Entsorgung:** Versichern Sie sich, dass die Demontage am Ende der Lebensdauer Ihrer Automatisierung von Fachpersonal ausgeführt wird und dass die Materialien nach den örtlich gültigen Vorschriften recycled oder entsorgt werden.

**8 - Manuelle Entriegelung und Sperrung des Antriebs:** Der Antrieb ist mit einem mechanischen System ausgestattet, das die manuelle Öffnung und Schließung der Schranke ermöglicht. Diese Verfahren müssen bei Stromausfall oder Betriebsstörungen ausgeführt werden.

**WICHTIG! – Die Entriegelung und das Sperren des Antriebs dürfen nur erfolgen, wenn die Schranke steht und waagrecht ist.**

Um den Schrankenheber manuell zu sperren und zu entriegeln, den mitgelieferten Schlüssel einstecken und um 180° drehen (**Abb. A**); es besteht die Möglichkeit, auf beide Seiten zu drehen.





# Wartungsprogramm

(muss dem Endkunden übergeben werden)

## WARTUNGSREGISTER

**Wichtig** – Dieses Wartungsregister muss dem Inhaber der Automatisierung übergeben werden, nachdem es in den erforderlichen Teilen ausgefüllt wurde.

Im vorliegenden Register müssen alle durchgeführten Wartungs-, Reparatur- und Änderungstätigkeiten eingetragen sein. Das Register muss nach jedem Eingriff aktualisiert und sorgfältig aufbewahrt werden, damit es für eventuelle Überprüfungen durch dazu berechnigte Stellen zur Verfügung steht.

Das vorliegende Wartungsregister bezieht sich auf den folgenden Automatismus:

Mod. MBAR und L9BAR. - Seriennr. .... - installiert am ..... - bei .....

Teil dieses Wartungsregisters sind die folgenden beiliegenden Dokumente:

- 1) - Wartungsprogramm
- 2) - .....
- 3) - .....
- 4) - .....
- 5) - .....
- 6) - .....

Gemäß dem beiliegenden Dokument „Wartungsprogramm“ müssen die Wartungsarbeiten mit der folgenden periodischen Häufigkeit ausgeführt werden: **alle 6 Monate** oder **alle 50.000 Bewegungszyklen**, je nachdem, welches Ereignis früher eintritt.

## WARTUNGSPROGRAMM

**Achtung! – Die Wartung der Anlage muss durch technisches Fachpersonal unter genauester Einhaltung der von den gültigen Gesetzen vorgesehenen Sicherheitsnormen und der Sicherheitsvorschriften in Kapitel 1 - „Allgemeine Sicherheits-hinweise und Maßnahmen“ am Anfang des vorliegenden Handbuchs ausgeführt werden.**

Generell benötigt der Schrankenheber keine besonderen Instandhaltungsarbeiten; eine regelmäßige Kontrolle ermöglicht jedoch, die Anlage effizient zu halten und den ordnungsgemäßen Betrieb der installierten Sicherheitssysteme zu gewährleisten.

Für die Instandhaltung der zusätzlichen Vorrichtungen des Schrankenhebers werden die Anweisungen in den jeweiligen Wartungsplänen befolgt.

Generell gilt: Wir empfehlen eine regelmäßige Kontrolle mit folgender Fälligkeit: alle 6 Monate oder 50.000 Bewegungen.

Wir erinnern daran, dass der Schrankenheber auch im Falle eines Federbruchs den Anforderungen gemäß Punkt 4.3.4 der Norm EN 12604:2000 entspricht.

• Das Ausgleichssystem der Schranke muss mindestens 2 mal pro Jahr geprüft werden, möglichst während des Jahreszeitenwechsels.

Am für die Wartung vorgesehenen Termin sind folgende Kontrollen und Ersatzarbeiten auszuführen:

- 1 Alle elektrischen Versorgungsquellen abschalten.
- 2 Den Verschleißzustand aller Materialien des Schrankenhebers überprüfen, mit besonderer Berücksichtigung von Korrosions- oder Roststellen an Strukturteilen; Teile, die keine ausreichende Garantie gewährleisten, müssen ausgetauscht werden.
- 3 Prüfen, ob die Schraubverbindungen richtig angezogen sind (insbesondere die der Ausgleichsfeder)
- 4 Prüfen, dass kein Spiel zwischen dem Ausgleichsheber und der Ausgangswelle vorhanden ist. Ggf. die mittlere Schraube fest einschrauben.
- 5 Den Gelenkkopf der Ausgleichsfeder und den unteren Bügel schmieren.
- 6 In den Ausführungen M7BAR und L9BAR die einwandfreie Blockierung zwischen den beiden Schrankensegmenten prüfen. Ggf. auf die Spreizschrauben einwirken.
- 7 Die Schranke senkrecht platzieren und prüfen, dass der Abstand zwischen den Schleifen der Ausgleichsfeder gleichbleibend ohne Verformungen ist.
- 8 Entsperren und den korrekten Ausgleich der Schranke und etwaige Behinderungen während der manuellen Öffnung und Schließung prüfen.
- 9 Wieder sperren und das Abnahmeverfahren durchführen.

**10 Prüfung des Schutzes gegen eine Anhebegefahr:** In den Automatisierungen mit vertikaler Bewegung ist es notwendig zu prüfen, ob eine Anhebegefahr besteht. Diese Prüfung muss wie folgt ausgeführt werden: Auf der Hälfte der Länge der Schranke ein Gewicht von 20 kg anbringen (zum Beispiel einen Sack Kies); eine Öffnungsbewegung steuern und prüfen, dass die Schranke während dieser Bewegung nicht die Höhe von 50 cm ab ihrer Schließposition überschreitet. Falls die Schranke diese Höhe überschreitet, muss die Motorenleistung reduziert werden (siehe Kapitel 6 - Tabelle 7).

**11** Falls die durch die Schrankenbewegung verursachten Gefahren mittels Begrenzung der Aufprallkraft abgesichert worden sind, muss die Kraft nach den Verordnungen der Vorschrift EN 12445 gemessen werden; und wenn die Kontrolle der „Motorkraft“ als Hilfsmittel für das System zur Aufprallkraftreduzierung benutzt wird, muss auch getestet werden, mit welcher Einstellung die besten Ergebnisse erzielt werden.

**12 Die Effizienz des Entriegelungssystems prüfen:** Die Schranke in die Schließposition bringen und die manuelle Entriegelung des Antriebs vornehmen (siehe Abschnitt 3.6), und prüfen, ob diese problemlos erfolgt. Prüfen, ob die manuelle Kraftausübung zur Bewegung der Schranke in Öffnung nicht über 200 N liegt (zirka 20 kg); die Kraft wird senkrecht zur Schranke und 1 m ab der Drehachse gemessen. Schließlich prüfen, ob der Schlüssel für die manuelle Entriegelung an der Automatisierung zur Verfügung steht.

**13 Prüfung des Versorgungsabtrennungssystems:** Durch Einwirkung auf die Abtrennvorrichtung der Speisung und Trennung eventueller Pufferbatterien muss geprüft werden, dass alle Leds in der Steuerung ausgeschaltet sind und die Schranke bei Übersendung eines Befehls stehen bleibt. Die Wirksamkeit des Sperrsystems prüfen, um den nicht beabsichtigten oder nicht zugelassenen Anschluss zu vermeiden.

Datum	Beschreibung des ausgeführten Eingriffs (Beschreibung der Prüfungen, Einstellungen, Reparaturen, Änderungen)	Unterschrift des Technikers	Unterschrift des Eigentümers
	<input type="checkbox"/> Es wurden alle durch den Wartungsplan vorgesehene Vorgänge ausgeführt		



# Spis treści

1 - OGÓLNE OSTRZEŻENIA: BEZPIECZEŃSTWO - MONTAŻ - UŻYTKOWANIE	1
2 - OPIS URZĄDZENIA I JEGO PRZEZNACZENIE	3
3 - INSTALACJA	3
3.1 - Kontrole wstępne przed montażem	3
3.2 - Ograniczenia zastosowania urządzenia	3
3.2.1 - Trwałość urządzenia	3
3.3 - Prace wstępne przed montażem	4
3.3.1 - Ustalić schemat, według którego zostaną rozmieszczone poszczególne elementy instalacji	4
3.3.2 - Określić przebieg kabli połączeniowych	4
3.3.3 - a) - Ustawić sprężynę równoważącą stosownie do ciężaru ramienia wraz z przewidzianymi akcesoriami. b) - Ustawić kierunek zamykania ramienia po prawej lub lewej stronie silnika	4
3.4 - Mocowanie szlabanu	4
3.4.1 - Jeżeli powierzchnia oparcia została wcześniej wykonana	4
3.4.2 - Jeżeli powierzchnia oparcia nie została wcześniej wykonana	5
3.5 - Montaż ramienia i przewidzianych akcesoriów	5
3.5.1 - Montaż uchwytu ramienia	5
3.5.2 - Montaż ramienia składającego się z jednego elementu, w całości lub pociętego	5
3.5.3 - Montaż ramienia składającego się z dwóch elementów, w całości lub pociętych	6
3.5.4 - Montaż akcesoriów przewidzianych dla ramienia	6
3.6 - Ręczne blokowanie i odblokowywanie szlabanu	6
3.6.1 - Przesunięcie zamka bębnowego w celu odblokowania/zablokowania ręcznego	6
3.7 - Regulacja mechanicznych ograniczników krańcówek	6
3.8 - Wyrównoważenie ramienia	6
3.8.1 - Wyrównoważenie ramienia M3BAR / M5BAR / M7BAR	6
3.8.2 - Wyrównoważenie ramienia L9BAR	6
4 - POŁĄCZENIA ELEKTRYCZNE	6
4.1 - Opis połączeń elektrycznych	6
4.2 - Pierwsze włączenie i kontrola podłączeń	7
4.3 - Funkcje ustawione fabrycznie	7
4.4 - Rozpoznanie podłączonych urządzeń	7
4.5 - Rozpoznawanie pozycji otwarcia i zamknięcia	7
4.6 - Kontrola ruchu ramienia	7
4.7 - Podłączenie odbiornika radiowego	8
4.8 - Podłączenie świateł ramienia (urządzenie opcjonalne)	8
4.9 - Podłączenie diodowej lampy ostrzegawczej mod. XBA7 lub semafora diodowego mod. XBA8 (urządzenia opcjonalne)	8
4.10 - Podłączanie innych urządzeń	8
4.10.1 - Urządzenie do programowania Oview	8
4.10.2 - Akumulator awaryjny mod. PS224 (urządzenie dodatkowe)	8
4.10.3 - System Solemyo (zasilanie fotoelektryczne)	8
5 - ODBIÓR I PRZEKAZANIE DO EKSPLOATACJI	8
5.1 - Próby odbiorcze	8
5.2 - Przekazanie do eksploatacji	9
6 - PROGRAMOWANIE CENTRALI STERUJĄCEJ	10
6.1 - Programowanie pierwszego poziomu (ON-OFF)	10
6.2 - Programowanie drugiego poziomu (parametry regulowane)	10
7 - ROZSZERZENIE WIADOMOŚCI	12
7.1 - Całkowite kasowanie pamięci centrali sterującej	12
7.2 - Inne funkcje	12
7.3 - Dodawanie i odłączanie urządzeń	13
7.3.1 - Wejście Bluebus	13
7.3.2 - Fotokomórki	13
7.3.3 - Przelącznik cyfrowy MOTB i czytnik zbliżeniowy kart MOMB	13
7.3.4 - Wejście STOP	13
7.4 - Diagnostyka	14
7.4.1 - Sygnalizacje centrali sterującej	14
7.4.2 - Sygnalizacje lampy ostrzegawczej	16
7.5 - Pętla detekcyjna (Loop Detector)	16
7.5.1 - Działanie	16
7.5.2 - Instalacja	16
7.6 - Tryby Master - Slave	18
7.6.1 - Instalacja i podłączenia elektryczne	18
8 - CO ZROBIĆ JEŚLI... (pomoc w rozwiązywaniu problemów)	19
• Utylizacja produktu	19
• Dane techniczne urządzenia	20
• Deklaracja zgodności: załącznik I (załącznik do wycięcia)	21
• Instrukcja obsługi (załącznik do wycięcia)	23
• Plan konserwacji (załącznik do wycięcia)	25
RYSUNKI	I - XIX

Poniższe ostrzeżenia zostały skopiowane bezpośrednio z Przepisów i, jeśli jest to możliwe, należy je stosować do niniejszego produktu.

## 1 OGÓLNE OSTRZEŻENIA: BEZPIECZEŃSTWO - MONTAŻ - UŻYTKOWANIE

### 1.1 - Ostrzeżenia dotyczące bezpieczeństwa

**UWAGA** Ważne instrukcje bezpieczeństwa. Należy przestrzegać wszystkich instrukcji, ponieważ nieprawidłowy montaż może być przyczyną poważnych szkód

**UWAGA** Ważne instrukcje bezpieczeństwa. W celu zapewnienia bezpieczeństwa osób, należy postępować zgodnie z niniejszą instrukcją. Należy starannie przechowywać niniejszą instrukcję

- Przed rozpoczęciem montażu należy sprawdzić informacje na temat „Parametrów technicznych produktu”, a w szczególności, czy urządzenie jest przystosowane do napędzania posiadanego przez Państwa urządzenia. Jeżeli produkt nie jest odpowiedni, NIE należy wykonywać montażu
- Nie używać urządzenia, jeśli nie przeprowadzono procedury oddania do eksploatacji, opisanej w rozdziale „Odbiór i przekazanie do eksploatacji”

**UWAGA** Według najnowszych, obowiązujących przepisów europejskich, wykonanie automatyki musi być zgodne z obowiązującą Dyrektywą Maszynową umożliwiającą zadeklarowanie zgodności automatyki. W związku z tym, wszystkie czynności polegające na podłączeniu do sieci elektrycznej, wykonywaniu prób odbiorczych, przekazywaniu do eksploatacji i konserwacji urządzenia muszą być wykonywane wyłącznie przez wykwalifikowanego i kompetentnego technika!

- Przed przystąpieniem do montażu produktu należy sprawdzić, czy wszystkie elementy i materiały przeznaczone do użycia znajdują się w idealnym stanie i są odpowiednie do użycia

- Produkt nie jest przeznaczony do obsługi przez osoby (w tym dzieci) o ograniczonych zdolnościach fizycznych, zmysłowych bądź umysłowych lub przez osoby nieposiadające odpowiedniego doświadczenia i wiedzy

- Nie zezwalać dzieciom na zabawę urządzeniem
- Nie zezwalać dzieciom na zabawę urządzeniami sterującymi produktem Przechowywać piloty w miejscu niedostępnym dla dzieci

**UWAGA** W celu uniknięcia jakiegokolwiek zagrożenia na skutek przypadkowego uzbrojenia termicznego urządzenia odłączającego, nie należy zasilać tego urządzenia przy użyciu zewnętrznego urządzenia, jak zegar lub podłączać go do obwodu charakteryzującego się regularnym podłączaniem lub odłączaniem zasilania

- W sieci zasilającej instalacji należy przygotować urządzenie odłączające (nieznajdujące się na wyposażeniu), którego odległość pomiędzy stykami podczas otwarcia zapewnia całkowite odłączenie w warunkach określonych przez III kategorię przepięciową

- Podczas montażu, należy delikatnie obchodzić się z urządzeniem, chroniąc je przed zgnieceniem, uderzeniem, upadkiem lub kontaktem z jakiegokolwiek rodzaju płynami. Nie umieszczać urządzenia w pobliżu źródeł ciepła i nie wystawiać go na działanie otwartego ognia. Opisane powyżej sytuacje mogą doprowadzić do uszkodzenia urządzenia, być przyczyną nieprawidłowego działania lub zagrożeń. Jeżeli doszłoby do którejś z opisanych sytuacji, należy natychmiast przerwać montaż i zwrócić się o pomoc do Serwisu Technicznego

- Producent nie ponosi odpowiedzialności za szkody materialne lub osobowe powstałe w wyniku nieprzestrzegania instrukcji montażu. W takich przypadkach, nie ma zastosowania rękojmia za wady materialne

- Poziom ciśnienia akustycznego emisji skorygowanego charakterystyką A jest niższy od 70 dB(A)

- Czyszczenie i konserwacja, za którą jest odpowiedzialny użytkownik, nie powinna być wykonywana przez dzieci pozbawione opieki

- Przed wykonaniem działań na instalacji (konserwacja, czyszczenie), należy zawsze odłączyć produkt od sieci zasilającej

- Należy wykonywać okresowe przeglądy instalacji, a w szczególności przewodów, sprężyn i wsporników, celem wykrycia ewentualnego braku wyważenia lub oznak zużycia, czy uszkodzeń. Nie używać w razie konieczności naprawy lub regulacji, ponieważ obecność usterek lub niewłaściwe wyważenie automatyki może prowadzić do poważnych obrażeń

- Materiał opakowaniowy podlega utylizacji zgodnie z miejscowymi przepisami
- Osoby trzecie nie powinny się znajdować w pobliżu automatyki podczas jej przesuwania przy użyciu elementów sterowniczych.

- Podczas wykonywania manewru, należy nadzorować automatykę i zadbać o to, aby inne osoby nie zbliżyły się do urządzenia, aż do czasu zakończenia czynności

- Nie sterować automatyką, jeżeli w jej pobliżu znajdują się osoby wykonujące czynności; przed wykonaniem tych czynności należy odłączyć zasilanie elektryczne

- Jeśli przewód zasilający jest uszkodzony, należy go wymienić na identyczny dostępny u producenta lub w serwisie technicznym lub u innej osoby posiadającej porównywalne kwalifikacje, aby uniknąć jakiegokolwiek ryzyka

### 1.2 - Ostrzeżenia dotyczące montażu

- Przed zamontowaniem silnika, należy sprawdzić stan wszystkich części mechanicznych, odpowiednie wyważenie i upewnić się, czy możliwe jest prawidłowe manewrowanie automatyką

- Upewnić się, że elementy sterownicze znajdują się z dala od części w ruchu, umożliwiając w każdym razie ich bezpośrednią widoczność.

- W razie niestosowania przelącznika, elementy sterownicze należy montować w miejscu niedostępnym i na minimalnej wysokości 1,5 m

- Jeśli ruch otwierania jest sterowany przez system przeciwpożarowy, należy się upewnić, że ewentualnie okna znajdujące się powyżej 200 mm zostaną zamknięte przez elementy sterownicze

- Zapobiegać i unikać jakiegokolwiek uwięzienia między częściami stałymi i częściami w ruchu podczas wykonywania manewrów
- Umieścić na stałe tabliczkę na temat ręcznego manewru w pobliżu elementu umożliwiającego wykonanie manewru
- Po zamontowaniu silnika należy się upewnić, że mechanizm, system ochrony i każdy manewr ręczny funkcjonują prawidłowo

### 1.3 - Szczególne zalecenia nawiązujące do Dyrektyw Europejskich znajdujących zastosowanie dla urządzenia

#### • Dyrektywa „Wyroby budowlane”:

Zalecenia szczególne odnoszące się do produktu i wynikające z Rozporządzenia Wyroby budowlane 305/2011:

- Pełna instalacja niniejszego produktu, w sposób opisany w niniejszej instrukcji, oraz niektóre ze sposobów jego użytkowania (np. wyłączony używanie dla samych pojazdów) mogą sprawić, że zostanie on włączony w zakres zastosowania Rozporządzenia 305/2011 oraz odpowiedniej normy zharmonizowanej EN 13241-1.

- W punkcie 1.3.1 „Kryteria dotyczące instalacji i ostrzeżenia szczególne związane z zasadniczymi wymaganiami” przedstawiono wszystkie kryteria związane z instalacją, do których należy się stosować, aby wyrób spełniał zasadnicze wymagania Rozporządzenia 305/2011. Osoba dokonująca montażu będzie musiała sprawdzić i upewnić się, że wszystkie te kryteria zostały spełnione.

- Spełnienie zasadniczych wymagań może nie być gwarantowane, jeśli szlaban drogowy zostanie zainstalowany i będzie użytkowany bez zastosowania się do jednego lub kilku z tych kryteriów. **W takim przypadku zabrania się korzystania z produktu aż do momentu, gdy instalator sprawdzi zgodność z wymaganiami stawianymi przez dyrektywę;** należy natychmiast usunąć zamieszczoną na wyrobie etykietę, zabrania się również użycia „Deklaracji zgodności CE” w załączniku I do niniejszej instrukcji. W konsekwencji, osoba przeprowadzająca instalację staje się producentem „szlabanu automatycznego” i musi przestrzegać postanowień Rozporządzenia 305/2011 oraz normy zharmonizowanej EN 13241-1. W takim przypadku szlaban drogowy należy uznać za „maszynę nieukończoną” i można korzystać (w celu włączenia jej do dokumentacji technicznej) z „Deklaracji zgodności” z załącznika II.

#### • Dyrektywa Maszynowa:

- W punkcie 1.3.1 „Kryteria dotyczące instalacji i ostrzeżenia szczególne związane z zasadniczymi wymaganiami” przedstawiona wszystkie kryteria związane z instalacją, do których należy się stosować, aby wyrób spełniał zasadnicze wymagania Dyrektywy Maszynowej. Osoba przeprowadzająca instalację będzie musiała sprawdzić i upewnić się, że wszystkie te kryteria zostały spełnione.

- Spełnienie zasadniczych wymagań może nie być gwarantowane, jeśli produkt zostanie zainstalowany i będzie użytkowany bez zastosowania się do jednego lub kilku z tych kryteriów. **W takim przypadku zabrania się korzystania z produktu aż do momentu, gdy instalator sprawdzi zgodność z wymaganiami stawianymi przez dyrektywę;** zabrania się również użycia „Deklaracji zgodności CE” w załączniku I do niniejszej instrukcji. W konsekwencji, osoba przeprowadzająca instalację staje się producentem „bariery automatycznej” i musi przestrzegać wymagań Dyrektywy Maszynowej. Producent musi przeprowadzić analizę ryzyka, obejmującą listę podstawowych wymagań bezpieczeństwa przedstawionych w załączniku I Dyrektywy Maszynowej, wraz ze wskazaniem zastosowanych rozwiązań. Należy pamiętać, że analiza ryzyka jest jednym z dokumentów wchodzących w skład „Dokumentacji technicznej” automatyki. Musi być ona zredagowana przez zawodowego instalatora i można do niej włączyć „Deklarację zgodności” z załącznika II, którą musi wypełnić osoba przeprowadzająca instalację szlabanu drogowego.

**Ostrzeżenia specjalne dotyczące przydatności do użytku niniejszego wyrobu zgodnie z Dyrektywą Maszynową, które należy wziąć pod uwagę w**

#### **przypadku, gdy instalator stanie się równocześnie producentem wyrobu.**

Szlaban drogowy zostaje wprowadzony na rynek jako „maszyna nieukończona”. Oznacza to, że został wyprodukowany w celu wbudowania go w maszynę lub zmontowania z innymi maszynami, aby utworzyć „maszynę” zgodnie z definicją Dyrektywy Maszynowej, a więc jedynie w połączeniu z innymi komponentami i w sposób opisany w niniejszej instrukcji. Zgodnie z postanowieniami Dyrektywy Maszynowej przypominamy, że przekazanie do eksploatacji powyższego wyrobu nie jest dozwolone, dopóki producent maszyny zawierającej niniejsze urządzenie nie sprawdzi jej i nie zadeklaruje jako zgodnej z Dyrektywą Maszynowej.

#### • Dyrektywa Niskonapięciowa:

Szczególne zalecenia związane z możliwością zastosowania produktu do danego użytku, w odniesieniu do „Dyrektywy Niskonapięciowej”.

Niniejszy wyrób spełnia wymagania Dyrektywy Niskonapięciowej, jeśli jest wykorzystywany do użytku i w konfiguracjach przewidzianych w niniejszej instrukcji oraz w połączeniu z artykułami z katalogu produktów firmy Nice S.p.A.

Spełnienie wymagań może nie być zagwarantowane, jeśli produkt jest używany w nieprzewidzianych konfiguracjach lub z nieprzewidzianymi, innymi produktami; takim przypadku zabrania się korzystania z produktu, aż do momentu, gdy instalator sprawdzi zgodność z wymaganiami stawianymi przez dyrektywę.

#### • Dyrektywa „Kompatybilność elektromagnetyczna”:

Szczególną uwagę należy zwrócić na użytkowanie niniejszego produktu w odniesieniu do dyrektywy „Kompatybilność Elektromagnetyczna”.

Niniejszy wyrób został poddany próbom związanym z kompatybilnością elektromagnetyczną w najbardziej krytycznych warunkach użytkowania, w konfiguracjach przewidzianych w niniejszej instrukcji oraz w połączeniu z artykułami z katalogu produktów firmy Nice S.p.A.

Kompatybilność elektromagnetyczna może nie być zagwarantowana, jeśli produkt jest używany w nieprzewidzianych konfiguracjach lub z nieprzewidzianymi, innymi produktami; w takim przypadku zabrania się korzystania z produktu, aż do momentu, gdy instalator sprawdzi zgodność z wymaganiami stawianymi przez dyrektywę.

### 1.3.1 - Kryteria dotyczące instalacji i ostrzeżenia szczególne związane z zasadniczymi wymaganiami

Niniejszy produkt, jeśli został prawidłowo zainstalowany, spełnia zasadnicze wymagania Rozporządzenia 305/-2011 zgodnie z normą zharmonizowaną EN 13241-1, tak jak to przedstawiono **Tabeli A** oraz z Dyrektywą Maszynową.

**Uwaga!** – W razie zastosowania szlabanu drogowego wyłącznie do użytku w transzycie pojazdów, zostanie on wyłączony z zakresu zastosowania EN 13241-1; w takim przypadku, przestrzeganie niektórych wymagań zawartych w Tabeli A może nie być obowiązkowe. Tranzyt może być uważany za wyłącznie dla użytku pojazdów, gdy występuje jasny zakaz tranzytu innego rodzaju (na przykład pieszych) oznaczony za pomocą odpowiedniego oznakowania, a w razie konieczności innego rodzaju tranzytu, zostanie wyznaczone odpowiednia przestrzeń w pobliżu.

#### • Uwalnianie substancji niebezpiecznych:

Produkt nie zawiera i/lub nie uwalnia substancji niebezpiecznych, zgodnie z normą EN 13241-1, punkt 4.2.9 i zgodnie z listą substancji zamieszczoną na stronie internetowej Unii Europejskiej

**Ostrzeżenie specjalne mające na celu stałe spełnianie tego wymogu** – Niezbędne jest, aby również inne materiały użyte podczas instalacji, np. kable elektryczne, były zgodne z tym wymogiem.

#### • Odporność na obciążenie wiatrem

W **Tabeli B** wskazano wytrzymałość ramienia na ciśnienie różnicowe wiatru. Próby zostały wykonane z ramieniem wyposażonym w profil zabezpieczający; pozostałe akcesoria mogą zwiększyć narażoną powierzchnię, więc zmniejszyć jej odporność na obciążenie wiatrem.

#### • Bezpiecznie otwarcie dla bram o ruchu pionowym

**TABELA 1 - Podstawowe wymogi dotyczące oznakowania (zgodnie z prospektem ZA.1 normy EN 13241-1)**

Podstawowe parametry	Punkt normy	Wynik
Odporność na wodę	4.4.2	NPD*
Emisja substancji niebezpiecznych	4.2.9	Zgodne
Odporność na obciążenie wiatrem	4.4.3	Zgodne
Odporność termiczna	4.4.5	NPD*
Przepuszczalność powietrza	4.4.6	NPD*
Bezpieczne otwieranie bram o ruchu pionowym	4.2.8	Zgodne
Zdefiniowanie geometrii komponentów szklanych	4.2.5	NPD*
Odporność mechaniczna i stabilność	4.2.3	Zgodne
Siły manewru dla bram automatycznych	4.3.3	Zgodne
Trwałość odporności na wodę, odporności termicznej i przepuszczalności powietrza	4.4.7	NPD*

\* NPD = Osiągnięte, w przypadku, kiedy urządzenie nie oferuje tych osiągnięć, na przykład „Przepuszczalność powietrza” lub kiedy te wymogi nie znajdują zastosowania, na przykład „Zdefiniowanie geometrii komponentów szklanych”.

**TABELA 1a**

Szlaban:	M3BAR	M5BAR	M7BAR	L9BAR
<b>Klasa</b>	4	4	2	2*
<b>Ciśnienie wiatru [Pa]</b>	≥ 1000	≥ 1000	≥ 450	≥ 450
<b>Maks. prędkość wiatru [Km/h]</b>	155	155	104	104
<b>Opis</b>	Huragan	Huragan	Silny sztorm / Sztorm	Silny sztorm / Sztorm

\* Klasa 2. została osiągnięta poprzez zastosowanie urządzenia dodatkowego mod. WA11

Produkt nie wywołuje niekontrolowanych ruchów lub upadku ramienia w razie uszkodzenia pojedynczego komponentu systemu zawieszenia lub kompensacji (sprężyny).

**Ostrzeżenia specjalne mające na celu stałe spełnianie wymogów:**

- Instalację należy przeprowadzić postępując skrupulatnie według wszystkich zaleceń opisanych w rozdziałach 3 - Montaż i 5 - Odbiór i przekazanie do eksploatacji.

- Upewnij się, że zorganizowano plan konserwacji, zgodny z postanowieniami rozdziału „Plan konserwacji” (załącznik do wycięcia na końcu instrukcji).

• **Odporność mechaniczna i stabilność**

Produkt został zaprojektowany i wykonany tak, aby podczas normalnego użytkowania, zastosowane siły, uderzenia i zużycie nie uszkodziły ani nie ograniczyły jego osiągnięć mechanicznych.

**Ostrzeżenie:** patrz zalecenia dla wymagania „Bezpiecznie otwarcie dla bram o ruchu pionowym”.

• **Siły manewrowe dla zamków napędzanych**

Siły funkcjonowania ramienia w stosunku do zagrożenia zgniecenia i uderzenia są chronione poprzez jedną z trzech poniższych metod:

**1 W przypadku działania z „przyciskiem bez samopodtrzymania” (w trybie manualnym):** jak opisano w EN 12453, punkt 5.1.1.4. W tym przypadku, przycisk sterujący musi się znajdować w widocznym miejscu automatyki i, jeżeli mają do niego dostęp osoby nieupoważnione, jego używanie należy ograniczyć, np. poprzez zastosowanie przełącznika kluczowego.

**2 W przypadku działania typu „półautomatycznego”:** poprzez ograniczenie działających sił, jak wyszczególniono w normie EN 12453, punkty 5.1.1.5 i 5.1.3.

**3 W przypadku działania typu „automatycznego”:** poprzez ograniczenie działających sił, jak wyszczególniono w normie EN 12453, punkty 5.1.1.5 i 5.1.3; w tym przypadku muszą zostać obowiązkowo zainstalowane co najmniej dwie fotokomórki, jak pokazano na rys. 1.

**Ostrzeżenie specjalne mające na celu stałe spełnianie tego wymogu:** patrz zalecenia dla wymagania „Bezpiecznie otwarcie dla bram o ruchu pionowym”.

- XBA10 - Złącze obrotowe
- XBA11 - Przegub dla ramienia
- WA11 - regulowany wspornik do ramion (obowiązkowy w przypadku L9BAR)
- WA12 - Ruchomy wspornik
- WA13 - Stojak, L. 2000 mm
- XBA13 - Zestaw listew ochronnych
- XBA14 - Polakierowane na biało, aluminiowe ramię, dł. 4150 mm
- XBA15 - Polakierowane na biało, aluminiowe ramię, dł. 3150 mm
- XBA16 - Płyta fundamentowa MBAR
- XBA17 - Płyta fundamentowa L9BAR
- XBA18 - Światła ramienia L9BAR

## 3 INSTALACJA

### 3.1 - Kontrole wstępne przed montażem

Przed przystąpieniem do montażu urządzenia należy sprawdzić stan jego komponentów, przydatność wybranego modelu oraz warunków otoczenia przeznaczonego do jego montażu:

- Sprawdzić, czy wszystkie materiały, które zostaną zastosowane są w idealnym stanie i czy są odpowiednie do użycia zgodnego z jego przeznaczeniem.
- Sprawdzić, czy jest możliwe przestrzeganie wszystkich ograniczeń zastosowania urządzenia (patrz punkt 3.2).
- Sprawdzić, czy otoczenie wybrane do montażu urządzenia jest kompatybilne z jego całkowitymi wymiarami gabarytowymi (**rys. 2**).
- Sprawdzić, czy wybrana wstępnie powierzchnia przeznaczona do montażu urządzenia jest wytrzymała i może zagwarantować jego stabilne przymocowanie.
- Sprawdzić, czy strefa mocowania nie jest narażona na zalanie, ewentualnie zamontować szlaban na odpowiedniej wysokości nad ziemią.
- Sprawdzić, czy przestrzeń znajdująca się wokół szlabanu umożliwia łatwe i bezpieczne wykonywanie manewrów w trybie ręcznym.
- Sprawdzić, czy wzdłuż toru ruchu ramienia nie znajdują się przeszkody, które mogą utrudniać manewry otwierania i zamykania.
- Upewnij się, że każde urządzenie przeznaczone do montażu zostało umieszczone w miejscu zabezpieczonym przed przypadkowymi uderzeniami.

### 3.2 - Ograniczenia zastosowania urządzenia

Przed wykonaniem montażu urządzenia, należy sprawdzić, czy wszystkie wartości przedstawione w rozdziale „Dane techniczne urządzenia” są odpowiednie do przewidywanego użycia.

- Sprawdzić, czy oszacowana trwałość urządzenia (patrz punkt 3.2.1) jest zgodna z jego przeznaczeniem.
- Sprawdzić, czy możliwe jest przestrzeganie wszystkich ograniczeń, warunków i zaleceń zamieszczonych w niniejszym podręczniku.

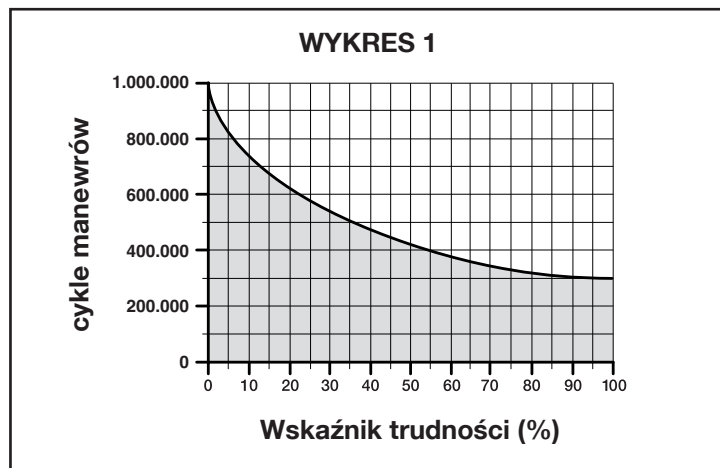
#### 3.2.1 - Trwałość urządzenia

Trwałość to średni czas użytkowania urządzenia. Trwałość urządzenia zależy w dużym stopniu od wskaźnika trudności wykonywania manewrów: czyli sumy wszystkich czynników wpływających na zużycie urządzenia, patrz **Tabela 2**.

Aby oszacować trwałość automatu, należy postąpić w opisany poniżej sposób:

- 01.** Zsumować wartości haseł z **Tabeli 2**, dotyczących warunków występujących w instalacji;
- 02.** Na **Wykresie 1** przeprowadzić pionowo linię od odnalezionej wartości aż do skrzyżowania z krzywą. W tym momencie zaznaczyć linię poziomą aż do skrzyżowania z linią „cykle manewrów”. Określona wartość to **szacowana trwałość** Państwa urządzenia.

Trwałość wskazaną na wykresie można uzyskać tylko wtedy, jeżeli skrupulatnie jest realizowany plan konserwacji, patrz rozdział „Plan konserwacji”. Trwałość urządzenia oszacowywana jest na podstawie obliczeń projektowych i wyników testów wykonanych na prototypach. Będąc zatem tylko wartością szacunkową, nie jest jednoznaczna gwarancją rzeczywistej trwałości urządzenia.



**Przykład obliczania trwałości szlabanu drogowego (należy odwołać się do Tabeli 2 oraz do Wykresu 1):** M5BAR z ruchomym wspornikiem (wskaźnik trudności równy 10%) - Prędkość na poziomie 3 (wskaźnik trudności równy 10%) - Hamowanie (wskaźnik trudności równy 10%):  
**całkowity wskaźnik trudności = 30%**  
**Oszacowana trwałość wynosi około 550 000 cykli.**

## 2 OPIS URZĄDZENIA I JEGO PRZEZNACZENIE

MBAR i L9BAR są elektromechanicznymi szlabanami drogowymi do użytku prywatnego jak i przemysłowego; sterującymi ruchem samochodów na jezdni o szerokości od 3 do 8 metrów.

		MOŻLIWE DO ZAINSTALOWANIA URZĄDZENIA DODATKOWE				
		Ramię	Listwa ochronna	Światła	Stojak	Ruchomy wspornik
SZAFKA	M3BAR	3 m	tak	tak	—	—
	M5BAR	4 m	tak	tak	tak (1 sztuka)	tak
		5 m	tak	tak	—	—
	M7BAR	5 m	tak	tak	tak (2 sztuki)	tak
		3+3 m	tak	tak	—	—
		3+4 m	tak	tak	—	—
	L9BAR	3+4 m	tak	tak	tak (3 sztuki)	tak
		4+4 m	tak	tak	tak (3 sztuki)	tak
		4+5 m	tak	tak	—	—

**UWAGA! – Wszelkie inne użycie oraz wykorzystywanie produktu w warunkach otoczenia odmiennych niż te przedstawione w niniejszym podręczniku, jest niezgodne z przeznaczeniem i zabronione!**

Barierki te wyposażone są w elektromechaniczny motoreduktor z silnikiem 24 V, z wbudowaną pętlą detekcyjną (Loop Detector) dla 2 pętli magnetycznych z elektrycznym systemem wyłączników krańcowych oraz lampą ostrzegawczą, którą można zamontować w obudowie (urządzenie opcjonalne). Te dwa modele można zainstalować jako naprzeciwległe barierki działające w trybie „Master-Slave”, w celu pokrycia powierzchni jezdni, której szerokość wynosi ponad 8 m (patrz punkt 7.5).

Centrala sterująca jest przystosowana do podłączenia urządzeń należących do Systemu Opera firmy Nice oraz do systemu zasilania energią słoneczną „Solemyo” (przeczytaj punkt 4.10.3).

Barierki działają poprzez wykorzystanie energii elektrycznej, a w przypadku jej braku (przerwa w dostawie energii elektrycznej) możliwe jest odblokowanie ramienia i przesuwanie go w trybie ręcznym. Alternatywnie, możliwe jest używanie akumulatora awaryjnego model PS224 (urządzenie opcjonalne – patrz rozdział 4.10.2), który gwarantuje automatu wykonywanie ograniczonej ilości manewrów w pierwszych godzinach braku zasilania elektrycznego. W celu wydłużenia tego okresu lub liczby możliwych do wykonania manewrów, należy uruchomić funkcję „Stand-by” (patrz tabela 6).

Ważne wskazówki na temat korzystania z podręcznika

- W niniejszym podręczniku hasło „barierka drogową” dotyczy dwóch produktów „MBAR” i „L9BAR”.
- Urządzenia dodatkowe wymienione w podręczniku są urządzeniami opcjonalnymi.

**Lista dostępnych urządzeń dodatkowych:**

- XBA4 - Światła ramienia M3BAR i M5BAR
- XBA5 - Polakierowane na biało, aluminiowe ramię, dł. 5150 mm
- XBA6 - Światła ramienia M7BAR
- XBA7 - Diodowa lampa ostrzegawcza, do zamontowania w obudowie
- XBA8 - Semafor diodowy, do zamontowania w obudowie
- XBA9 - Złącze uniwersalne

TABELA 2	Wskaźnik trudności			
	M3BAR	M5BAR	M7BAR	L9BAR
Przegub dla ramienia (XBA11)	20	15	—	—
Prędkość poziom 3	15	10	15	15
Prędkość poziom 2	0	0	10	10
Manewr przerwany przez fotokomórkę > 10%	15	10	15	15
Manewr przerwany przez Alt > 10%	10	10	15	15
Ruchomy wspornik (WA12)	—	10	10	10
Hamowanie	10	10	10	10
Siła równa 7 lub 8	10	10	10	10
Siła równa 5 lub 6	5	5	5	5
Występowanie zasolenia	10	10	10	10
Obecność pyłu lub piasku	5	5	5	5
Stojak	—	5	5	5
Temperatura otoczenia powyżej 40° i poniżej 0° C	5	5	5	5

### 3.3 - Prace wstępne przed montażem

#### 3.3.1 - Ustalić schemat, według którego zostaną rozmieszczone poszczególne elementy instalacji.

Ustalić przybliżone położenie, w którym zostanie zainstalowany każdy komponent przewidziany w tej instalacji, nawiązując do standardowego schematu przedstawionego na rys. 1. Na schemacie przedstawione są wszystkie komponenty znajdujące się w opakowaniu produktu (rys. 3): [a] szlaban drogowy z wbudowaną centralą sterującą; [b] uchwyty i pokrywa ramienia; [c] 2 puszki na fotokomórki; [d] aluminiowe złącze długie 300 mm.; [e] stała zaślepka ramienia, 2 złącza dla listew ochronnych, 2 złącza bez listwy ochronnej; [f] klucze do odblokowywania i ręcznego blokowania ramienia; klucze do zamka pokrywy; drobne metalowe części (śruby, podkładki, itp.); [g] płyta fundamentowa; [h] 4 śruby fundamentowe; [i] aluminiowe złącze długie 700 mm..

#### 3.3.2 - Określić przebieg kabli połączeniowych

**UWAGA!** - Wyloty korytek kabli elektrycznych należy umieścić w pobliżu punktów, w których zostało przewidziane przymocowanie poszczególnych urządzeń. **Uwaga:** Korytka te mają zabezpieczać kable elektryczne i nie dopuścić do ich przypadkowego uszkodzenia, na przykład w razie uderzenia. Aby przygotować kable elektryczne niezbędne podłączenia Państwa urządzenia, należy posłużyć się rys. 1 oraz „Tabelą 3 - Dane techniczne kabli elektrycznych”.

#### 3.3.3 - a) - Ustawić sprężynę równoważącą stosownie do ciężaru ramienia wraz z przewidzianymi akcesoriami. b) - Ustawić kierunek zamykania ramienia po prawej lub lewej stronie silnika.

Szlaban opuszcza fabrykę skonfigurowany w następujący sposób:

– sprężyna równoważąca przymocowana do otworów, które nie są jeszcze definitywne.

– manewr zamykania ramienia w lewo.

Te ustawienia mają charakter arbitralny, jest więc niezbędne przeprowadzenie stosownych kontroli, aby określić, czy należy je zmienić, czy nie (czyli czy należy przesunąć do innych otworów zaczep sprężyny na dźwigni równoważącej i na płycie u dołu szlabanu).

- Jeżeli przewidziano montaż jednego elementu osprzętu, należy znaleźć w części „A” Tabeli 4 posiadany model szlabanu, przewidzianą długość ramienia i element wyposażenia, który chce się na nim zamontować; następnie znaleźć obok tych danych literę i cyfrę odpowiadające otworom, w których należy zaczepić sprężynę;
- Jeżeli przewidziano montaż kilku akcesoriów, należy znaleźć w części „B” Tabeli 4 posiadany model szlabanu, przewidzianą długość ramienia oraz rodzaj i liczbę akcesoriów, które chce się zamontować na ramieniu; następnie zsumować liczby podane w nawiasach, odnoszące się do przewidzianych akcesoriów. Następnie użyć wyniku dodawania, aby odczytać w dolnej części sekcji „B” literę i liczbę określającą otwory, które należy wybrać do zaczepienia sprężyny.

- Jeżeli ramię ma się zamykać po prawej stronie silnika, konieczne będzie przesunięcie zaczepu sprężyny do jednego z otworów na drugim ramieniu dźwigni równoważącej.

W celu przesunięcia zaczepu sprężyny do otworów innych niż ustawione fabrycznie, należy:

01. Zdjąć pokrywę górną szlabanu (rys. 4).
02. Odkręcić 2 śruby mocujące drzwi szlabanu (rys. 5);
03. – (M3BAR - M5BAR - M7BAR) Odwrócić w kierunku odwrotnym do ruchu wskazówek zegara nakrętkę przedstawioną na rys. 6 (faza a); po czym obracać ręcznie sprężynę w kierunku zgodnym z ruchem wskazówek zegara, aby zmniejszyć jej naprężenie (rys. 6 - faza b).  
– (L9BAR) Obracać ręcznie w kierunku zgodnym z ruchem wskazówek zegara nakrętkę przedstawioną na rys. 7 (faza a), aby zmniejszyć naprężenie sprężyny równoważącej.
04. Odkręcić śrubę mocującą sprężynę do dźwigni równoważącej (M3BAR - M5BAR - M7BAR: rys. 6 - faza c; L9BAR: rys. 7 - faza b).
05. – (M3BAR - M5BAR) Odkręcić śrubę fundamentową mocującą sprężynę do płyty z otworami, znajdującej się u dołu szlabanu (rys. 6 - faza d).  
– (M7BAR - L9BAR) Odkręcić śrubę fundamentową mocującą sprężynę do płyty z otworami, znajdującej się u dołu szlabanu (rys. 7 - faza c).
06. Jeżeli chce się ustawić manewr zamykania ramienia po prawej stronie szlabanu, należy odblokować motoreduktor (rys. 8 - zajrzeć również do punktu 3.6) i obrócić o 90° dźwignię równoważącą (rys. 9).
07. Korzystając z Tabeli 4 znaleźć nowe otwory, w których należy zaczepić oba końce sprężyny.
08. – (M3BAR - M5BAR) Zaczepić śrubę fundamentową sprężyny do płyty z otworami znajdującej się u dołu szlabanu (rys. 10 - faza a); następnie przymocować ucho sprężyny równoważącej, dokręcając do oporu śrubę mocującą (rys. 10 - faza b).  
– (M7BAR - L9BAR) Przymocować ucho górne sprężyny do dźwigni równoważącej, dokręcając do oporu śrubę mocującą (rys. 11 - faza a); przymocować ucho dolne sprężyny do płyty z otworami znajdującej się u dołu szlabanu, dokręcając do oporu śrubę mocującą (rys. 11 - faza b).
09. Jeżeli w punkcie 06 motoreduktor został odblokowany, należy go zablokować ponownie (rys. 12), zgodnie z zaleceniami podanymi w punkcie 3.6.

### 3.4 - Mocowanie szlabanu

#### 3.4.1 - Jeżeli powierzchnia oparcia została wcześniej wykonana

01. Otworzyć szafę szlabanu (rys. 13);
02. Umieścić szlaban na powierzchni mocującej i zaznaczyć punkty, w których zostaną wykonane otwory (rys. 14);
03. Przesunąć szlaban i wywiercić otwory w zaznaczonych punktach; następnie włożyć 4 kotwy rozprężne (nie znajdują się na wyposażeniu) (rys. 15);
04. Ustawić szlaban w prawidłowej pozycji i przykręcić za pomocą specjalnych nakrętek i podkładek, (nie znajdują się na wyposażeniu) (rys. 16).

TABELA 3 - Dane techniczne kabli elektrycznych (rys.1)

Podłączenie	Rodzaj kabla	Maksymalna dozwolona długość
A: kabel zasilający, sieciowy	3 x 1,5 mm <sup>2</sup>	30 m (uwaga 1)
B: przewód BlueBus	2 x 0,5 mm <sup>2</sup>	20 m (uwaga 2)
C: kabel przełącznika kluczykowego	2 kable 2 x 0,25 mm <sup>2</sup> (uwaga 3)	30 m
Kabel wejścia Open	2 x 0,25 mm <sup>2</sup>	30 m
Kabel wejścia Close	2 x 0,25 mm <sup>2</sup>	30 m
Kabel lampy ostrzegawczej (uwaga 4) z anteną	2 x 0,5 mm <sup>2</sup>	30 m
Kabel kontrolki otwartego ramienia (uwaga 4)	Ekranowany, typu RG58	15 m (zalecany krótszy niż 5 m)
Światła ramienia (uwaga 4)	2 x 0,5 mm <sup>2</sup>	30 m
Światła ramienia (uwaga 4)	–	–
Kabel pętli detekcyjnej (Loop Detector)	1 x 1,5 mm <sup>2</sup> skręcany (uwaga 5)	20 m skręcany (uwaga 5)
Kabel Master/Slave	3 x 0,5 mm <sup>2</sup>	20 m

**UWAGA!** – Zastosowane kable muszą być odpowiednie dla rodzaju otoczenia, w którym odbywa się ich instalacja.

**Uwaga 1** – Jeśli długość przewodu zasilającego przekracza 30 m, należy zastosować kabel o większym przekroju (3 x 2,5 mm<sup>2</sup>) oraz uziemienie ochronne w pobliżu automatu.

**Uwaga 2** – Jeśli długość przewodu BlueBus wynosi ponad 20 m, do maksymalnej długości 40 m, należy zastosować kabel o większym przekroju (2 x 1 mm<sup>2</sup>).

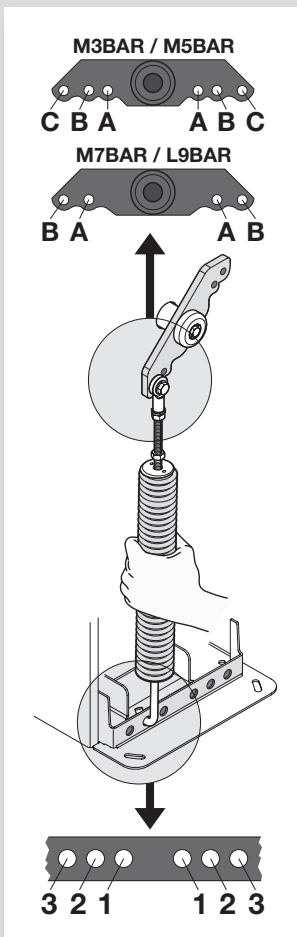
**Uwaga 3** – Te 2 kable można zamienić na 1 kabel o przekroju 4 x 0,5 mm<sup>2</sup>

**Uwaga 4** – Przed wykonaniem podłączenia należy sprawdzić, czy wyjście zostało zaprogramowane dla urządzenia, które ma zostać podłączone (patrz punkt 6.2 – Tabela 8).

**Uwaga 5** – Owinąć oba wychodzące z pętli końce przynajmniej 20 razy na jeden metr.



TABELA 4



A	M3BAR		M5BAR			M7BAR	L9BAR
	2,65 m XBA15 (3,15 m) - 0,50 m	3,15 m XBA15 (3,15 m)	3,50 m XBA14 (4,15 m) - 0,65 m	4,15 m XBA14 (4,15 m)	5,15 m XBA5 (5,15 m)	7,33 m XBA15 + XBA14	9,33 m XBA14 + XBA5
XBA13	A 1	A 3	B 2	B 3	C 2	B 2	B 1
XBA13	A 1	A 3	B 2	B 3	C 2	B 2	B 1
XBA11	B 3	B 3	C 1	C 3			

B	M5BAR		M7BAR	L9BAR			
	3,50 m XBA14 (4,15 m) - 0,65 m	4,15 m XBA14 (4,15 m)	5,15 m XBA5 (5,15 m)	5,00 m XBA15+XBA15 (6,30 m) - 1,30 m	6,33 m XBA15 + XBA15	7,33 m XBA15 + XBA14	8,33 m XBA14 + XBA14
XBA13	(0)	(0)	(0)	(0)	(0)	(0)	(0)
XBA13	(1)	(1)	(1)	(1)	(1)	(1)	(1)
WA13	(1)	(1)	(2)	(1)	(1)	(2)	(2)
WA12	(5)	(4)	(4)	(3)	(3)	(3)	(3)

1) - Zsumować przedstawione w kolumnie numery w nawiasach, wybierając tylko te, które przypisane są do zainstalowanych urządzeń dodatkowych.

2) - Następnie na podstawie wyniku dodawania określić, do których otworów powinna zostać zamontowana sprężyna.

0 ÷ 1 =	B 2	0 ÷ 1 =	B 3	0 ÷ 2 =	A 2	0 ÷ 2 =	B 1	0 ÷ 2 =	B 1	0 ÷ 2 =	A 1	0 ÷ 2 =	A 3
2 ÷ 7 =	B 3	2 ÷ 4 =	C 1	3 ÷ 5 =	A 2	3 ÷ 5 =	B 2	3 ÷ 5 =	B 2	3 ÷ 4 =	A 2	3 ÷ 6 =	B 1
		5 ÷ 6 =	C 2	6 ÷ 7 =	A 3					5 ÷ 6 =	A 3		

### 3.4.2 - Jeżeli powierzchnia oparcia nie została wcześniej wykonana

- Wykonać wykop fundamentowy (\*), aby zabetonować w nim płytę fundamentową;
- Przygotować korytka przelotowe dla kabli elektrycznych (rys. 17);
- Przymocować do płyty fundamentowej 4 kotwy fundamentowe, założyć na każdą z nich jedną nakrętkę od góry i jedną od dołu płyty. (rys. 17).  
**Uwaga** – Dolna nakrętka musi być dokręcona do końca części gwintowanej;
- Wylać beton i zanim zacznie twardnieć osadzić w nim płytę fundamentową, którą należy umieścić równo z powierzchnią, równoległe do ramienia i idealnie wypoziomować (rys. 17). Odczekać do całkowitego związania betonu, zwykle trwa to co najmniej 2 tygodnie;
- Zdjąć 4 górne nakrętki ze śrub fundamentowych;
- Otworzyć szafę szlabanu (rys. 18);
- Ustawić w prawidłowej pozycji szlaban i zamocować za pomocą specjalnych nakrętek i podkładek znajdujących się na wyposażeniu płyty fundamentowej, które zostały wyjęte w punkcie 04 (rys. 19).

(\* Uwaga - Powierzchnia mocowania musi być idealnie płaska i gładka. Jeżeli jest ona wykonana z betonu, musi mieć grubość co najmniej 0,15 m i powinna zostać odpowiednio wzmocniona poprzez zastosowanie stalowych prętów zbrojeniowych. Objętość betonu musi przekraczać 0,2 m<sup>3</sup> (grubość 0,25 m odpowiada powierzchni 0,8 m<sup>2</sup>, czyli równej kwadratowej płaszczyźnie o wymiarach 0,9 x 0,9 m). Przymocowanie do betonu może zostać wykonane z zastosowaniem 4 kotew rozprężnych, wyposażonych w śruby M12, które wytrzymują obciążenie rozciągające o wielkości co najmniej 400 kg. Jeżeli powierzchnia mocowania jest wykonana z innego materiału, należy ocenić jej konsystencję i sprawdzić, czy 4 punkty mocowania mogą łącznie znieść obciążenie co najmniej 1000 kg. Do mocowania należy wykorzystać śruby 12 MA.

### 3.5 - Montaż ramienia i przewidzianych akcesoriów

#### 3.5.1 - Montaż uchwytu ramienia

- Włożyć dwa kołki w specjalne gniazda znajdujące się na wale wyjściowym silnika (rys. 20);
- Założyć uchwyt na wał wyjściowy motoreduktora, ustawiając go w pozycji „ramię w pionie” i przymocować za pomocą specjalnych śrub i podkładek; mocno dokręcić (rys. 21);
- Założyć pokrywę ramienia i przykręcić ją częściowo za pomocą 6 śrub znajdujących się na wyposażeniu (rys. 22).

#### 3.5.2 - Montaż ramienia składającego się z jednego elementu, w całości lub pociętego.

Możliwe długości:

- M3BAR:** 2,65 m = XBA15 (3,15 m - 0,50 m = 2,65 m)  
3,15 m = XBA15 (3,15 m)  
**M5BAR:** 3,50 m = XBA14 (4,15 m - 0,65 m = 3,50 m)  
4,15 m = XBA14 (4,15 m)  
5,15 m = XBA5 (5,15 m)  
**M7BAR:** 5,15 m = XBA5 (5,15 m)

- Zmontować dwa złącza (rys. 23);
- Włożyć zamontowane złącza, rozpoczynając od tej samej strony ramienia. Użyć gumowego młotka (rys. 24);
- Naoliwić lekko po obu stronach aluminium prowadnicę (rys. 25).
- Wykonać instrukcje zamieszczone w tym punkcie po obu stronach ramienia: włożyć pierwszą część listwy ochronnej do szczeliny, dosuwając ją do końca ramienia; następnie włożyć złączkę listwy (rys. 26) powtórzyć operację dla pozostałych elementów;
- Listwa ochronna może wystawać na odległość około 1 cm od krawędzi profilu (rys. 27);

- A)** włożyć zaślepkę ramienia i przymocować ją za pomocą dwóch śrub (rys. 28);  
**B)** ustawić i zamocować dwie zaślepki listwy (rys. 28);
- 06.** Włożyć skompletowane ramie do uchwytu ramienia, dosuwając je do końca i mocno dokręcić 6 śruby, wkręcone wstępnie do uchwytu. (rys. 29).

### 3.5.3 - Montaż ramienia składającego się z dwóch elementów, w całości lub części.

Możliwe długości:

**M7BAR:** 5,00 m = XBA15 (3,15 m -1,30m = 1,85\*) + XBA15 (3,15 m)  
 6,33 m = XBA15 (3,15 m) + XBA15 (3,15 m)  
 7,33 m = XBA15 (3,15 m\*) + XBA14 (4,15 m)  
**L9BAR:** 7,33 m = XBA15 (3,15 m\*) + XBA14 (4,15 m)  
 8,33 m = XBA14 (4,15 m) + XBA14 (4,15 m)  
 9,33 m = XBA14 (4,15 m\*) + XBA5 (5,15 m)

**(\*) - UWAGA! – W przypadku ramion składających się z dwóch części należy obowiązkowo przymocować do aluminiowego wspornika krótszy element ramienia. Następnie zmodyfikować punkt 02 procedury w następujący sposób:**

- 01.** Mod. M3BAR - M5BAR - M7BAR: wsunąć aluminiowe złącze do końca krótszego ramienia i zablokować przy użyciu dostarczonej śruby (rys. 23).  
**02.** Mod. L9BAR: wsunąć aluminiowe złącze do końca krótszego ramienia i zablokować przy użyciu dostarczonej śruby (rys. 24).  
**03.** Przyłączyć uniwersalną złączkę do wolnych krańców obu ramion. Należy uważać, aby złączka była dobrze ustawiona, jako że łączy śruby powinny znajdować się z tej samej strony co otwory w ramionach (rys. 30);  
**04.** Należy w równym stopniu przekręcać wszystkie trzy śruby złączki, w taki sposób, aby „rozprężyli” złączkę wewnątrz ramion (rys. 31);  
**05.** Naoliwić lekko po obu stronach aluminiową prowadnicę (rys. 25);  
**06.** Wykonać instrukcje zamieszczone w tym punkcie po obu stronach ramienia: włożyć pierwszą część listwy ochronnej do szczeliny, dosuwając ją do końca ramienia; następnie włożyć złączkę listwy (rys. 26) powtórzyć operację dla pozostałych elementów;  
**07.** Listwa ochronna może wystawać na odległość około 1 cm od krańca profilu (rys. 27):  
**A)** włożyć zaślepkę ramienia i przymocować ją za pomocą dwóch śrub (rys. 28);  
**B)** ustawić i zamocować dwie zaślepki listwy (rys. 28);  
**08.** Włożyć skompletowane ramie do uchwytu ramienia, dosuwając je do końca i mocno dokręcić 6 śruby, wkręcone wstępnie do uchwytu (rys. 29).

### 3.5.4 - Montaż akcesoriów przewidzianych dla ramienia

Po zamontowaniu ramienia i listwy ochronnej, a przed przystąpieniem do dalszych czynności, ważne jest zamontowanie na ramieniu również ewentualnych pozostałych akcesoriów, o ile takowe przewidziano. W celu ich zamontowania zapoznać się z dołączonymi do nich instrukcjami obsługi.

### 3.6 - Ręczne blokowanie i odblokowywanie szlabanu

Tę operację należy wykonać w przypadku braku prądu elektrycznego lub nieprawidłowego funkcjonowania szlabanu.

W celu ręcznego odblokowania lub zablokowania szlabanu należy wsunąć dostarczony klucz i obrócić go o 180° w prawo lub w lewo (rys. 32).

**WAŻNE! • Operację odblokowania/zablokowania ramienia należy wykonywać wyłącznie, kiedy jest ono nieruchome i znajduje się w pozycji poziomej. • Odblokowanie/zablokowanie ręczne możliwe jest po obu stronach szlabanu, poprzez przesunięcie zamka bębnekowego (patrz punkt 3.6.1).**

#### 3.6.1 - Przesunięcie zamka bębnekowego w celu odblokowania/zablokowania ręcznego

- 01.** Włożyć załączony klucz i obrócić go o 180° w prawo (rys. 33-a);  
**02.** Z wnętrza obudowy należy pociągnąć w dół zacisk w kształcie litery „U”, odblokowujący zamek bębnekowy (rys. 33-b), a następnie, od zewnętrznej strony obudowy, wysunąć zamek (rys. 33-c);  
**03.** Z drugiej strony obudowy należy wyjąć plastikową zaślepkę (rys. 34-a) i włożyć zamek bębnekowy do odpowiedniego otworu (rys. 34-b);  
**04.** Następnie, od wewnątrz obudowy, wsunąć od dołu do góry zacisk w kształcie litery „U”, aby zablokować zamek bębnekowy (rys. 34-c).

### 3.7 - Regulacja mechanicznych ograniczników krańcówek

- 01.** Odblokować ręcznie motoreduktor: patrz punkt 3.6;  
**02.** Wykonać w trybie ręcznym kompletny manewr otwierania i zamykania ramienia;  
**03.** Następnie użyć śrub mechanicznych ograniczników krańcówek (rys. 35 i 36) w celu wyregulowania położenia poziomego ramienia, a po jego zamknięciu, położenia pionowego ramienia, gdy jest ono otwarte.  
**04.** Dokręcić dobrze nakrętki.

### 3.8 - Wyrównoważenie ramienia

Procedura zrównoważenia ramienia umożliwia znalezienie optymalnej równowagi pomiędzy łącznym ciężarem ramienia wraz z zainstalowanymi na nim akcesoriami a siłą, która działa jako przeciwwaga na naprężenie sprężyny równoważącej. Aby sprawdzić, czy naprężenie sprężyny umożliwia optymalne zrównoważenie ciężaru ramienia wraz z ewentualnymi akcesoriami, czy nie, należy:

#### 3.8.1 - Wyrównoważenie ramienia M3BAR / M5BAR / M7BAR

- 01.** Odblokować ręcznie motoreduktor: patrz punkt 3.6;

- 02.** Przesunąć ręcznie ramie do około połowy suwu (45°) i pozostawić w tym położeniu. Jeżeli ramie zaczyna się podnosić, należy zredukować naprężenie sprężyny, obracając ją ręcznie w kierunku ruchu wskazówek zegara (rys. 37-a). I odwrotnie, jeżeli ramie zaczyna opadać, należy zwiększyć naprężenie sprężyny, obracając ją ręcznie w kierunku odwrotnym do ruchu wskazówek zegara (rys. 37-b). Uwaga - Wartość niewyrównoważenia jest akceptowalna, kiedy siła niezbędna do przemieszczenia ramienia\* podczas otwierania, zamykania oraz we wszystkich innych pozycjach jest mniejsza lub równa połowie wartości znamionowej (równy około 1,5 kg dla M3, 3,5 kg dla M5 i 4,5 kg dla M7, około 5 kg na 1 m). [(\*) siła zmierzona prostopadle do ramienia w odległości 1 m od osi obrotu].  
**03.** Powtórzyć punkt 02, ustawiając ramie również pod kątem około 20° i 70°. Jeżeli ramie pozostanie nieruchomo w swoim położeniu, oznacza to, że jego wyrównoważenie jest prawidłowe. Dopuszczalna jest lekkie niewyrównoważenie, ale ramie nie może nigdy przesunąć się zbyt mocno.  
**04.** Zablokować sprężynę równoważącą przy użyciu nakrętki (rys. 37-c);  
**05.** Zablokować motoreduktor: patrz punkt 3.6.

#### 3.8.2 - Wyrównoważenie ramienia L9BAR

- 01.** Odblokować ręcznie motoreduktor: patrz punkt 3.6;  
**02.** Przesunąć ręcznie ramie do około połowy suwu (45°) i pozostawić w tym położeniu. Jeżeli ramie zaczyna się podnosić, należy zredukować naprężenie sprężyny, obracając ją w kierunku zgodnym z ruchem wskazówek zegara (rys. 38-a). I odwrotnie - jeżeli ramie zaczyna opadać, należy zwiększyć naprężenie sprężyny, obracając nakrętkę w kierunku przeciwnym do ruchu wskazówek zegara (rys. 38-b). Uwaga - Wartość niewyrównoważenia jest akceptowalna, kiedy siła niezbędna do przemieszczenia ramienia\* podczas otwierania, zamykania oraz we wszystkich innych pozycjach jest mniejsza lub równa połowie wartości znamionowej (dla tego urządzenia około 6,5 kg na 1 m). [(\*) siła zmierzona prostopadle do ramienia w odległości 1 m od osi obrotu].  
**03.** Zablokować motoreduktor: patrz punkt 3.6.

## 4 PODŁĄCZENIA ELEKTRYCZNE

**UWAGA! – Wszystkie podłączenia elektryczne należy wykonywać po odłączeniu zasilania elektrycznego.**

- 01.** Zdjąć pokrywę, odkręcając śruby i przekręcając klucz w kierunku przeciwnym do ruchów wskazówek zegara (rys. 39);  
**02.** Włożyć kable elektryczne do wnętrza szlabanu, rozpoczynając od podstawy w kierunku centrali sterującej, a następnie skierować je w lewą stronę. Natomiast kable pętli magnetycznych (Loop Detector) i trybu „Master-Slave” należy kierować w prawą stronę;  
**03.** Przełożyć kabel zasilający przez dławnicę i podłączyć go do zacisku 3-stykowego z bezpiecznikiem topikowym. Zaciśnąć dławnicę, dokręcając śrubę (rys. 40);  
**04.** Wykonać podłączenia pozostałych kabli, postępując się schematem elektrycznym, przedstawionym na rys. 41. Uwaga – Aby ułatwić sobie podłączenie kabli można wyjąć zaciski z gniazda.

#### 4.1 - Opis podłączeń elektrycznych

- **LIGHT** = to wyjście można zaprogramować (patrz rozdział 6, punkt 6.2 – Programowanie drugiego poziomu - regulowane parametry) i wykorzystywać do podłączenia następujących urządzeń:

– **Lampa ostrzegawcza:** jeżeli wyjście „LIGHT” zostało zaprogramowane jako „lampa ostrzegawcza” możliwe jest podłączenie do niego lampy ostrzegawczej NICE „LUCY B, MLB lub MLBT” z żarówką 12 V/21 W typu samochodowego. Podczas manewru lampa świeci przez 0,5 s, a następnie gaśnie na 0,5 s. Ustawienia fabryczne: konfiguracja dla działania jako „Lampa ostrzegawcza ramienia” 24 V/10 W.

– „kontrolka otwartego ramienia” - „zapalona, kiedy ramie jest opuszczone” - „zapalona, kiedy ramie jest podniesione” - „lampa ostrzegawcza ramienia” i „kontrolka konserwacji”: jeżeli wyjście „LIGHT” zostało zaprogramowane na jedną z tych 5 funkcji, możliwe podłączenie do niego kontrolki 24 V max 10 W dla następujących sygnalizacji:

##### **Funkcja „kontrolka otwartego ramienia”**

Ramie zamknięte: wyłączona  
 Ramie podczas manewru otwierania: powolne miganie  
 Ramie podczas manewru zamykania: szybkie miganie  
 Ramie otwarte (niezamknięte): zapalona

##### **Funkcja „aktywna, kiedy ramie jest opuszczone”**

Ramie zamknięte: zapalona  
 W każdym innym przypadku: wyłączona

##### **Funkcja „aktywna, kiedy ramie jest podniesione”**

Ramie podniesione: zapalona  
 W każdym innym przypadku: wyłączona

### Funkcja „lampa ostrzegawcza ramienia”

Kontrolka lub światła zamontowane na ramieniu, sygnalizują wykonywanie manewru poprzez miganie z regularną częstotliwością (świecą przez 0,5 s, a następnie gasną na 0,5 s).

### Funkcja „kontrolka konserwacji”

- kontrolka zapala się na 2 sekundy na początku manewru otwarcia = liczba wykonanych manewrów nie przekracza 80%
- kontrolka migająca podczas wykonywania całego manewru = liczba wykonanych manewrów od 80% do 100%
- kontrolka migająca podczas wykonywania całego manewru = liczba wykonanych manewrów od 80% do 100%.

– **Ssawka:** możliwe jest podłączenie ssawki 24 V max 10 W (wersje tylko z elektromagnesem, bez urządzeń elektronicznych). Kiedy ramię jest zamknięte, ssawka uaktywnia się i blokuje ramię. Podczas manewru otwierania lub zamykania wyjście jest nieaktywne.

– **Blokada elektryczna:** możliwe jest podłączenie elektrycznej blokady z zatraskiem, 24 V max 10 W (wersje tylko z elektromagnesem, bez urządzeń elektronicznych). Podczas całego manewru otwierania uaktywnia się elektryczna blokada, która pozostanie aktywna w celu umożliwienia wykonania przez ramię manewru. Podczas manewru zamykania należy upewnić się, że elektryczna blokada ponownie sprzęgnie się mechanicznie.

– **Zamek elektryczny:** możliwe jest podłączenie zamka elektrycznego z zatraskiem, 24 V max 10 W (wersje tylko z elektromagnesem, bez urządzeń elektronicznych). Zamek elektryczny jest uaktywniany na początku manewru otwierania na krótki okres czasu, aby zwolnić ramię i umożliwić wykonanie manewru. Podczas manewru zamykania należy upewnić się, że zamek elektryczny ponownie sprzęgnie się mechanicznie.

• **FLASH** = wejście to można zaprogramować wykorzystując programator Oview. Można do niego podłączyć te same urządzenia, co w przypadku wyjścia LIGHT. Wyjście zostało fabrycznie skonfigurowane do pracy z lampą ostrzegawczą 12 V 21 W.

• **SCA** = wejście to można zaprogramować wykorzystując programator Oview. Można do niego podłączyć te same urządzenia, co w przypadku wyjścia LIGHT. Wyjście zostało fabrycznie skonfigurowane do pracy kontrolką otwartego ramienia 24 V/10 W.

• **BLUEBUS** = do tego zacisku można podłączyć kompatybilne urządzenia; wszystkie są łączone równolegle tylko dwoma przewodami, którymi są zasilane, i którymi wysyłają sygnały do centrali. Aby uzyskać szczegółowe informacje, należy zapoznać się z rozdziałem 8.

• **STOP** = wejście dla urządzeń, które blokują możliwość ruchu lub ewentualnie zatrzymują wykonywany manewr; można podłączyć do tego wejścia styki typu „Normalnie Zamknięty”, „Normalnie Otwarty”, urządzenia o stałej oporności lub urządzenia optyczne. Aby uzyskać szczegółowe informacje, należy zapoznać się z rozdziałem 8.

• **PP** = wejście dla urządzeń, które sterują ruchem w trybie Krok po Kroku. Można do niego podłączyć styki typu „Normalnie Otwarty”.

• **OPEN** = wejście dla urządzeń, które sterują ruchem samego otwierania, można podłączyć tu styki typu „Normalnie Otwarty”.

• **CLOSE** = wejście dla urządzeń, które sterują ruchem samego zamykania, można podłączyć tu styki typu „Normalnie Otwarty”.

• **ANTENA** = wejście łączące antenę z odbiornikiem radiowym (anteną jest wbudowana do LUCY B, MBL, MLBT).

• **WYJŚCIE KARTY Z DIODĄ** = to wyjście można zaprogramować (patrz rozdział 6, punkt 6.2 – Programowanie drugiego poziomu - regulowane parametry) i wykorzystywać do podłączenia karty lampy diodowej (XBA7) lub karty semafora diodowego (XBA8). Przy ustawieniu fabrycznym pełni funkcję sterowania lampy ostrzegawczej (świeci przez 0,5 s, a następnie gasnie na 0,5 s). Ponadto emitowane są sygnały diagnostyczne.

• **LOOP1** = wejście Loop Detector służy do podłączenia pętli magnetycznej do wykrywania metali. Tryby pracy przypisane do tego wejścia można zmieniać za pomocą programatora Oview (patrz punkt 7.5 - Pętla detekcyjna (Loop Detector)). Ustawienia fabryczne: konfiguracja dla manewru otwierania

• **LOOP2** = wejście Loop Detector służy do podłączenia pętli magnetycznej do wykrywania metali. Tryby pracy przypisane do tego wejścia można zmieniać za pomocą programatora Oview (patrz punkt 7.5 - Pętla detekcyjna (Loop Detector)). Ustawienia fabryczne: konfiguracja dla manewru otwierania.

• **MASTER-SLAVE** = łącznik do podłączenia 2 barierek w trybie Master-Slave (patrz punkt 7.6 – Master-Slave).

**WAŻNE!** – NIE PODŁĄCZAĆ URZĄDZEŃ INNYCH NIŻ PRZEWDZIANE.

## 4.2 - Pierwsze włączenie i kontrola podłączeń

**UWAGA!** – Definitywne podłączenie automatu do sieci elektrycznej może zostać wykonane wyłącznie przez wykwalifikowanego i doświadczonego technika, zgodnie z przepisami bezpieczeństwa obowiązującymi na danym terytorium.

Podłączyć centralę sterującą do linii zasilania elektrycznego wyposażonej w uzziemienie ochronne. Na linii zasilającej automat, prowadzącej z sieci elektrycznej należy przygotować urządzenie, które zapewni całkowite rozłączenie w przypadku III kategorii przepięcia lub przygotować wtyczkę i gniazdko.

Po podłączeniu zasilania elektrycznego do centrali sterującej wykonać następujące kontrole:

- Sprawdzić, czy dioda BlueBus miga szybko przez kilka sekund, a następnie miga regularnie z częstotliwością 1 mignięcia na sekundę.
- Jeśli zainstalowane zostały fotokomórki, należy sprawdzić, czy migają również diody na fotokomórkach (zarówno na TX jak i na RX); nie jest ważny sposób migania, ponieważ jest on uzależniony od innych czynników.
- Sprawdzić, czy urządzenie podłączone do wyjścia FLASH lub diodowa lampa ostrzegawcza XBA7 jest wyłączona (ustawienie fabryczne).

Jeśli tak się nie dzieje, należy odłączyć zasilanie elektryczne od centrali i dokładnie sprawdzić wykonane podłączenia elektryczne.

Inne informacje, niezbędne do wyszukiwania i diagnostyki usterek zamieszczone są w rozdziale 8 “Co zrobić, jeśli... (pomoc w rozwiązywaniu problemów)”.

## 4.3 - Funkcje ustawione fabrycznie

Centrala sterująca posiada zestaw programowalnych funkcji, które fabrycznie są ustawiane na najczęściej stosowane wartości. W każdej chwili możliwe jest dokonanie zmiany tych wartości. W tym celu: patrz rozdział 6.

## 4.4 - Rozpoznanie podłączonych urządzeń

Po pierwszym włączeniu urządzenia centrala musi rozpoznać urządzenia podłączone do wejść „Bluebus” i „Stop”.

**UWAGA!** – Faza rozpoznawania musi być wykonana również, jeśli do centrali nie zostało podłączone żadne urządzenie.

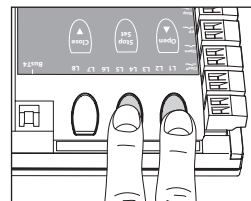
Aby wskazać konieczność wykonania tej operacji, diody „L1” i „L2” znajdujące się w centrali migają jednocześnie.

01. Wcisnąć i przytrzymać równocześnie przyciski „Open” i „Set”:

02. Zwolnić przyciski, kiedy diody „L1” i „L2” zaczną bardzo szybko migać, (po około 3 sekundach).

03. Odczekać kilka sekund, aż do zakończenia fazy rozpoznawania urządzeń przez centralę. Po zakończeniu tej fazy dioda „Stop” powinna się świecić a diody „L1” i „L2” powinny zgasnąć, (mogą zacząć migać diody „L3” i „L4”, aby wskazać, że wartości położenia krańcowych nie zostały jeszcze rozpoznane).

Tę procedurę należy powtórzyć w przypadku modyfikacji urządzeń podłączonych do zacisków BlueBus i Stop; na przykład po podłączeniu nowego urządzenia do centrali.



## 4.5 - Rozpoznawanie pozycji otwarcia i zamknięcia

Po zaprogramowaniu podłączonych urządzeń należy zaprogramować w centrali również położenia mechanicznych ograniczników położenia. W tej fazie odczytywana jest wartość ruchu ramienia, mierzona od mechanicznego ogranicznika zamykania do ogranicznika otwierania.

01. Odblokować motoreduktor w trybie ręcznym (patrz rozdział 3.6) i przesunąć ramię w trybie ręcznym o około 45° (połowa suwu ramienia);

02. Zablokować motoreduktor (patrz punkt 3.6);

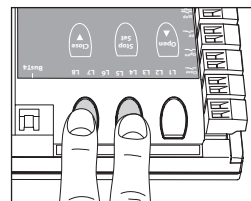
03. Wcisnąć i przytrzymać równocześnie przyciski „Close” i „Set”;

04. Zwolnić przyciski, kiedy rozpocznie się manewr (po około 3 sekundach);

05. Odczekać aż do zakończenia fazy rozpoznawania położenia przez centralę: **zamykanie, otwieranie i zamykanie** ramienia, z przerwaniem 3 sekundami pauzy.

**Ostrzeżenia!** • Nie przerywać przebiegu trzech manewrów: gdyby do tego doszło, konieczne będzie powtórzenie całej procedury, począwszy od punktu 01. • W trakcie wykonywania trzech manewrów upewnić się, że dźwignia równoważąca ramienia dociera do ograniczników mechanicznych krańcówek. Jeżeli tak się nie dzieje, zatrzymać procedurę, wyregulować ograniczniki mechaniczne krańcówek i powtórzyć całą procedurę, począwszy od punktu 01. • Jeżeli po zakończeniu trzech manewrów diody led “L3” i “L4”, oznaczają wystąpienie błędów. Należy wtedy powtórzyć całą procedurę, począwszy od punktu 01.

**WAŻNE!** – Parametry dotyczące pozycji zwalniania oraz intensywności hamowania są wstępnie ustawionymi funkcjami centrali. Można je jednak zmienić bezpośrednio za pomocą centrali „L5 Długie/krótkie zwalnianie (patrz Tabela 6 - punkt 6.1)” oraz „L8 Hamowanie (patrz Tabela 8 - punkt 6.2)”, lub też za pomocą programatora Oview.



## 4.6 - Kontrola ruchu ramienia

Po wykonaniu rozpoznania urządzeń zaleca się wykonanie kilku ruchów otwarcia i zamknięcia, w celu sprawdzenia, czy ramię porusza się prawidłowo.

01. Wcisnąć przycisk „Open”, aby wydać polecenie otwarcia; sprawdzić, czy ramię rozpocznie zwalnianie zanim dotrze do położenia otwarcia;

02. Wcisnąć przycisk „Close”, aby wydać polecenie zamknięcia; sprawdzić, czy ramię rozpocznie zwalnianie zanim dotrze do zaprogramowanego położenia zwalniania podczas zamykania;

03. Podczas wykonywania manewrów należy sprawdzić, czy diodowa lampa

ostrzegawcza, znajdująca się w centrali świeci przez 0,5 s, a następnie gaśnie na 0,5 s);

04. Wykonać kilka manewrów otwierania i zamykania, aby wykluczyć obecność punktów o większym tarciu lub anomalii podczas funkcjonowania.

**UWAGA** – Jeżeli manewr rozpoczyna się z położenia innego niż położenie jednego z ograniczników mechanicznych (otwierania lub zamykania), zostanie on wykonany z małą prędkością.

#### 4.7 - Podłączenie odbiornika radiowego

Centrala sterująca zawiera złącze typu SM, umożliwiające podłączenie odbiornika radiowego (urządzenie opcjonalne) model SMXI, SMXIS, OXI lub OXIT i podobne.

Aby podłączyć odbiornik, należy odłączyć zasilanie elektryczne od centrali i podłączyć odbiornik jak pokazano na **rys. 42**.

W **Tabeli 5** podane są operacje wykonywane przez centralę w zależności od aktywnych wejść lub poleceń wysyłanych przez odbiornik radiowy.

**TABELA 5**

Odbiornik SMXI, SMXIS, OIX, OXIT w trybie I lub II	
wyjście	opis
Wyjście Nr 1	Krok po Kroku
Wyjście Nr 2	Otwarcie częściowe (otwarcie pod kątem około 45%; wartość programowalna z zastosowaniem Oview, patrz paragraf 4.10.1)
Wyjście Nr 3	Otwarcie
Wyjście Nr 4	Zamknięcie

Odbiornik OXI, OXIT zaprogramowany w "Trybie II poszerzonym"	
polecenie	opis
Polecenie nr 1	Krok po Kroku
Polecenie nr 2	Otwarcie częściowe (otwarcie pod kątem około 45%; wartość programowalna z zastosowaniem Oview, patrz paragraf 4.10.1)
Polecenie nr 3	Otwarcie
Polecenie nr 4	Zamknięcie
Polecenie nr 5	Stop
Polecenie nr 6	Krok po kroku w bloku mieszkalnym
Polecenie nr 7	Krok po kroku Wysoki priorytet (sterowane również w przypadku, kiedy automatyka jest zablokowana)
Polecenie nr 8	Odblokuj i Otwórz
Polecenie nr 9	Odblokuj i Zamknij
Polecenie nr 10	Otwórz i Zablokuj automatykę
Polecenie nr 11	Zamknij i Zablokuj automatykę
Polecenie nr 12	Zablokuj automatykę
Polecenie nr 13	Odblokuj automatykę
Polecenie nr 14	Krok po kroku skrzydło Master
Polecenie nr 15	Krok po kroku skrzydło Slave

#### 4.8 - Podłączenie świateł ramienia (urządzenie opcjonalne)

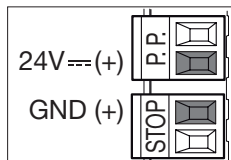
- Przesunąć ramię do pozycji pionowej;
- Odkręcić 6 śruby mocujące pokrywę ramienia (**rys. 43**);
- Wyjąć na chwilę ramię;
- Włożyć dławnicę do otworu przez który ma przejść okablowanie (**rys. 44**);
- Wprowadzić kabel świateł do listwy ochronnej, ewentualnie zastosować sondę, aby ułatwić wkładanie (**rys. 45**);
- Jeżeli to konieczne skrócić długość kabla świateł: możliwe jest odcięcie kabla tylko w jednym z punktów zaznaczonych specjalnym symbolem. Po odcięciu kabla przesunąć zaślepkę znajdującą się na odciętym końcu, aby zabezpieczyć nowy koniec kabla;
- Przeprowadzić kabel najpierw przez otwór znajdujący się w uchwycie ramienia, a następnie przez otwór znajdujący się w szafie szlabanu (**rys. 46**);  
**Uwaga** – Należy zostawić trochę więcej kabla wewnątrz uchwytu, aby umożliwić obrót o 90° bez naprężenia kabla;
- Podłączyć kabel świateł do zacisku LIGHT w centralce sterującej; patrz schemat na **rys. 47**. **Uwaga:** Wyjście LIGHT charakteryzuje się biegunowością – jeżeli światła nie zapalają się tak, jak zostały zaprogramowane, należy odwrócić kable podłączone do zacisku.
- Umieścić i zablokować łącznik wewnątrz szczeliny ramienia (**rys. 48**);
- Włożyć ramię i zablokować z pomocą pokrywy, mocno dokręcając 6 śruby (**rys. 49**) uważając, aby nie uszkodzić kabla.

#### 4.9 - Podłączenie diodowej lampy ostrzegawczej mod. XBA7 lub semafora diodowego mod. XBA8 (urządzenia opcjonalne)

Na pokrywie szlabanu można umieścić diodową lampę ostrzegawczą mod. XBA7 lub semafor z czerwonymi i zielonymi diodami mod. XBA8. Tryby pracy tych lamp można zmieniać za pomocą programatora Oview lub specjalnego programowania centralki sterującej. Więcej informacji można znaleźć w instrukcjach obsługi obu urządzeń.

#### 4.10 - Podłączanie innych urządzeń

Z pomocą wbudowanej centrali możliwe jest zasilanie urządzeń zewnętrznych (odbiornik radiowy lub światelko oświetlające przełącznik kluczykowy), pobierając zasilanie z centrali sterującej; w celu sprawdzenia typu podłączenia elektrycznego zapoznać się z ilustracją obok. Napięcie zasilające wynosi 24 V  $\pm$  -30% +50% z maksymalnym prądem 100 mA.



##### 4.10.1 - Urządzenie do programowania Oview

Wykorzystanie urządzenia do programowania Oview umożliwia kompleksowe i szybkie zarządzanie fazą instalacji, konserwacji oraz diagnostykę całego automatu. Możliwe jest podłączenie urządzenia Oview do szlabanu drogowego za pomocą złącza BusT4, znajdującego się w centrali sterującej.

Aby uzyskać dostęp do złącza BusT4, należy otworzyć pokrywę szlabanu i włożyć złącze do specjalnego gniazda (**rys. 50**).

Zasadniczo urządzenie Oview może znajdować się maksymalnie w odległości do 100 m od centrali, może zostać podłączone do kilku centrali jednocześnie (do 16) i pozostawać tak podłączone również podczas zwykłego funkcjonowania automatu. Aby zmienić te ograniczenia, należy wykonać wskazówki zamieszczone w instrukcji obsługi Oview oraz w instrukcji obsługi systemu Oview System Book. Jeżeli w centrali znajduje się odbiornik radiowy z serii OXI, z pomocą urządzenia Oview można uzyskać dostęp do parametrów nadajników wczytanych do tego odbiornika. Aby uzyskać szczegółowe informacje, należy przeczytać instrukcję obsługi programatora Oview lub kartę funkcji szlabanu, dostępną również na stronie internetowej [www.niceforyou.com](http://www.niceforyou.com).

##### 4.10.2 - Akumulator awaryjny mod. PS224 (urządzenie dodatkowe)

W przypadku braku napięcia sieciowego szlaban przystosowany jest do zasilania za pomocą akumulatora awaryjnego model PS224. Aby wykonać montaż i podłączyć akumulator, należy wykonać poniższe czynności:

**Uwaga!** – Podłączenie elektryczne akumulatora awaryjnego do centrali sterującej należy wykonać dopiero po zakończeniu wszystkich faz montażu i programowania, ponieważ akumulator stanowi zasilanie awaryjne.

- Umieścić akumulator awaryjny tak, jak wskazano na **rys. 51a**;
- Odłączyć sieciowe zasilanie elektryczne, a następnie podłączyć specjalny kabel do złącza akumulatora awaryjnego (**rys. 51**);
- Włączyć sieciowe zasilanie elektryczne.

##### 4.10.3 - System Solemyo (zasilanie fotoelektryczne)

Szlaban przystosowany jest do zasilania z pomocą systemu zasilania fotoelektrycznego „Solemyo”. W celu podłączenia go do centrali, należy wykorzystać dwubiegunową wtyczkę przedstawioną na **rys. 52**.

#### WAŻNE!

- Kiedy szlaban zasilany jest przez system „Solemyo”, NIE NALEŻY GO PODŁĄCZAĆ równocześnie do sieci elektrycznej.
- W wyniku ograniczonej ilości dostępnej energii słonecznej, w zależności od miejsca montażu oraz od pory roku, szlaban może wykonać tylko określoną ilość manewrów dziennie. Przed zamontowaniem systemu Solemyo należy sprawdzić w specjalnej dokumentacji, czy maksymalna ilość możliwych do wykonania manewrów jest wystarczająca dla przewidzianego zastosowania.
- System „Solemyo” może być stosowany skutecznie wyłącznie, jeśli w centrali aktywna jest (ON) funkcja „Stand-by” w trybie „Całe urządzenie”, (uaktywniana wyłącznie z zastosowaniem programatora Oview).

## 5 ODBIÓR I PRZEKAZANIE DO EKSPLOATACJI

Teetapy są najważniejsze podczas realizacji automatu, a ich celem jest zagwarantowanie maksymalnego bezpieczeństwa urządzenia. Próby odbiorcze można wykonywać również w celu przeprowadzenia okresowych kontroli urządzeń składających się na automat. Poszczególne etapy prób odbiorczych i wprowadzenia automatu do użytku powinny zostać wykonane przez wykwalifikowany i doświadczony personel, którego obowiązkiem jest wyznaczenie niezbędnych prób, mających na celu sprawdzenie rozwiązań dostosowanych do występujących zagrożeń oraz sprawdzenie przestrzegania zaleceń przewidzianych przez obowiązujące przepisy, normy i ustawy; w szczególności wszystkich wymogów normy EN 12445, która określa metody wykonywania kontroli automatów przeznaczonych dla bram i szlabanów drogowych. Wszystkie te operacje muszą być wykonywane pod bezpośrednim nadzorem osoby odpowiedzialnej za montaż, która podpisuje własnym imieniem i nazwiskiem pole nr 1 deklaracji zgodności (patrz załącznik I).

Urządzenia dodatkowe lub opcjonalne należy poddawać szczegółowym próbom odbiorczym, zarówno pod względem funkcjonalności jak i ich prawidłowego wzajemnego oddziaływania ze szlabanem.

#### 5.1 - Próby odbiorcze

Kolejność operacji wykonywanych podczas odbioru technicznego dotyczy typowej instalacji (**rys. 1**) w trybie „użytkownicy nieprzeszkoleni” oraz „sterowanie w trybie automatycznym”, które przewiduje jako minimalny poziom zabezpieczenia strefy przejściowej, urządzenia typu C (ograniczenie sił – patrz norma EN 12445) połączone z urządzeniami typu D (czujka obecności np. fotokomórka).

Biorąc pod uwagę, że ten rodzaj zastosowania jest najbardziej obciążający, ta sama kolejność próby odbiorczej może być skutecznie wykonana również w warunkach mniejszego obciążenia.

- 1 Sprawdzić, czy ściśle przestrzegane są instrukcje przewidziane w rozdziale 1, dotyczącym ostrzeżeń na temat bezpieczeństwa.
- 2 Sprawdzić, czy ramię jest prawidłowo wyrównoważone, patrz punkt 3.8.
- 3 Sprawdzić, czy system odblokowywania w trybie ręcznym działa prawidłowo, patrz punkt 3.6.
- 4 Wykorzystując nadajnik lub przełącznik kluczykowy, należy przeprowadzić próby otwierania, zamykania i zatrzymywania szlabanu, upewniając się, że przesunięcie ramienia jest zgodne z zaleceniami. Wskazane jest przeprowadzenie kilku prób, mających na celu dokonanie oceny manewrów wykonywanych przez ramię i stwierdzenie ewentualnych usterek montażowych, regulacyjnych oraz występowanie nadmiernych punktów tarcia.
- 5 Sprawdzić po kolei działanie wszystkich pomocniczych urządzeń zabezpieczających, znajdujących się w instalacji (fotokomórki, listwy optyczne, itp.). Kiedy urządzenie zadziała, dioda „BlueBus” znajdująca się w centrali wykona 2 bardzo szybkie mignięcia, na potwierdzenie wykonanego rozpoznania alarmu.
- 6 Sprawdzić działanie fotokomórek, postępując w następujący sposób: w zależności od tego, czy została zainstalowana jedna lub dwie pary fotokomórek, potrzebny jest jeden lub dwa prostopadłościany wykonane z twardego materiału (np. drewniane panele) o wymiarach 70 x 30 x 20 cm. Każdy prostopadłościan musi posiadać trzy ściany, po jednej dla każdego wymiaru, wykonane z materiału odbłaskowego (np. lustro lub biała błyszcząca farba) oraz trzy ściany wykonane z materiału matowego (np. pomalowane w kolorze czarnym matowym). Dla próby fotokomórek usytuowanych na wysokości 50 cm nad ziemią, prostopadłościan musi znajdować się na ziemi, a w przypadku przeprowadzania próby fotokomórek usytuowanych na wysokości 1 m od ziemi, na wysokości 50 cm.  
W przypadku wykonywania próby dla jednej pary fotokomórek, bryła próbna musi znajdować się dokładnie pod środkiem ramienia, a jej ściany o długości 20 cm muszą być skierowane w stronę fotokomórek. Bryłę należy przesunąć wzdłuż całej długości ramienia (rys. A).  
W przypadku wykonywania próby dla dwóch par fotokomórek, należy wykonać ją osobno dla każdej pary fotokomórek, z wykorzystaniem jednej bryły próbnej, następnie należy powtórzyć ją wykorzystując dwie bryły. Każdą bryłę próbną należy umieścić w odległości 15 cm, obok środka ramienia, a następnie przesunąć ją na całej długości ramienia (rys. B).  
Podczas wykonywania tych prób bryła próbna powinna być wykrywana przez fotokomórki w dowolnym położeniu, w którym się znajduje, wzdłuż całej długości ramienia.

- 7 Sprawdzić, czy nie występują zakłócenia pomiędzy fotokomórkami i innymi urządzeniami, przecinając z pomocą cylindra (o średnicy 5 cm i długości 30 cm) oś optyczną, łączącą dwie fotokomórki (rys. C): przesunąć cylinder najpierw w pobliżu fotokomórki TX, a następnie w pobliżu RX, wreszcie przez środek, pomiędzy obiema fotokomórkami. Następnie upewnić się, że urządzenie zadziała w każdym przypadku, przełączając je ze stanu aktywnego do stanu alarmowego i odwrotnie; wreszcie sprawdzić, czy powoduje przewidziane działanie centrali (na przykład zmianę kierunku ruchu podczas manewru zamykania).

- 8 **Sprawdzić zabezpieczenie przed podniesieniem:** w automatach o ruchu pionowym należy sprawdzić, czy nie występuje zagrożenie podniesienia. Próbę tę należy wykonać w następujący sposób: zawiesić w połowie długości ramienia ciężar 20 kg (na przykład worek żwiru), wydać polecenie otwarcia i sprawdzić, czy podczas tego manewru ramię nie przekroczy wysokości 50 cm od jego położenia poziomego. W przypadku, kiedy ramię przekroczy tę wysokość należy zredukować siłę silnika (patrz rozdział 6 - Tabela 7).

- 9 Jeżeli sytuacje niebezpieczne, spowodowane ruchem ramienia, zostały zabezpieczone poprzez ograniczenie siły uderzenia, należy dokonać pomiaru siły zgodnie z zaleceniami normy EN 12445 i ewentualnie, jeżeli sterowanie „siłą silnika” jest używane jako pomoc dla systemu, umożliwiającą zredukowanie siły uderzenia, należy spróbować wykonać taką regulację, która umożliwi uzyskanie lepszych wyników.

- 10 **Sprawdzić skuteczność systemu odblokowującego:** przesunąć ramię do położenia zamknięcia i odblokować motoreduktor w trybie ręcznym (patrz punkt 3.6), sprawdzając, czy odblokowanie nastąpi bez utrudnień. Sprawdzić, czy siła użyta do ręcznego podniesienia ramienia do pozycji otwarcia nie przekracza 200 N (około 20 kg); siła ta jest mierzona prostopadle w stosunku do ramienia w odległości 1 m od osi obrotu. Na koniec sprawdzić, czy klucz niezbędny do odblokowania w trybie ręcznym znajduje się w pobliżu automatu.

- 11 **Kontrola systemu odłączania zasilania:** z pomocą urządzenia odłączającego, należy wyłączyć zasilanie, odłączając ewentualne akumulatory awaryjne i sprawdzić, czy wszystkie diody znajdujące się w centrali są zgaszone oraz czy po wydaniu polecenia ramię pozostaje nieruchome. Sprawdzić skuteczność systemu blokującego, aby zapobiec ponownemu niezamierzonemu lub nieautoryzowanemu załączeniu.

## 5.2 - Przekazanie do eksploatacji

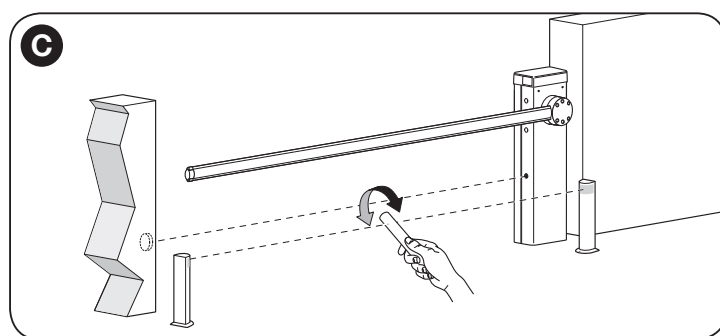
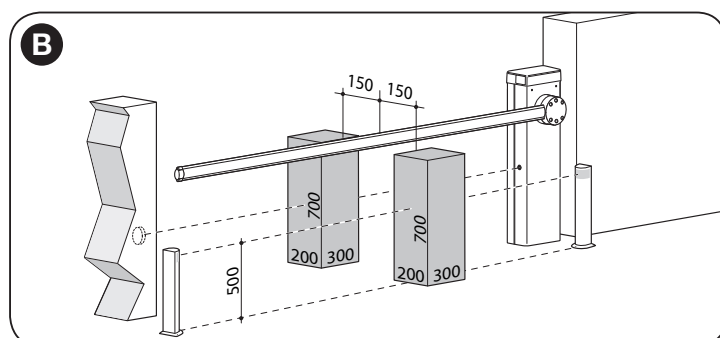
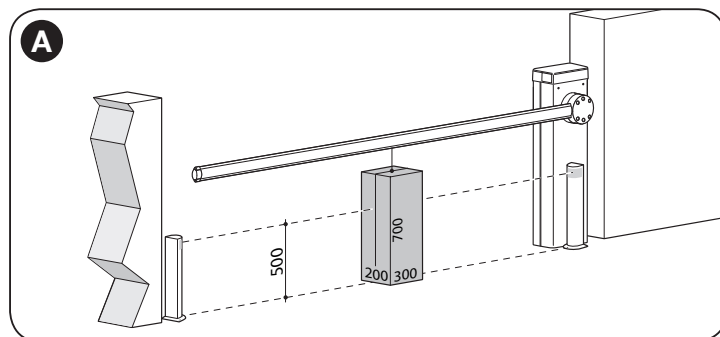
Wprowadzenie urządzenia do eksploatacji może nastąpić dopiero po wykonaniu z wynikiem pozytywnym wszystkich etapów prób odbiorczych. Zabrania się częściowego wprowadzania urządzenia do użytku lub w sytuacjach tymczasowych.

- 1 Należy wypełnić i przekazać właścicielowi automatu „**Deklarację zgodności CE- Załącznik I'**”, znajdującą się na końcu niniejszego podręcznika, w przeznaczony do wycięcia części.
- 2 Należy wypełnić i przekazać właścicielowi automatu formularz „**Instrukcja obsługi**”, znajdujący się na końcu niniejszego podręcznika, w przeznaczo-

nej do wycięcia części.

- 3 Należy wypełnić i przekazać właścicielowi automatu formularz „**Plan konserwacji**”, w którym znajdują się zalecenia dotyczące konserwacji wszystkich urządzeń automatu. Formularz dotyczący szlabanu drogowego znajduje się na końcu niniejszego podręcznika, w części przeznaczony do wycięcia.
- 4 Przed przekazaniem automatu do eksploatacji należy powiadomić jego właściciela o zagrożeniach i występującym ryzyku szczątkowym.
- 5 Przymocować do ramienia na stałe tabliczkę znajdującą się w opakowaniu, dotyczącą operacji odblokowywania i blokowania motoreduktora w trybie ręcznym.
- 6 TYLKO dla instalacji NIEZGODNYCH z kryteriami zamieszczonymi w rozdziale 1.3.1 niniejszego podręcznika: przygotować dokumentację techniczną automatu, która musi zawierać następujące dokumenty: rysunek całościowy automatu, schemat wykonanych połączeń elektrycznych, analizę występujących zagrożeń i zastosowane rozwiązania (sprawdzić na stronie [www.niceforyou.com](http://www.niceforyou.com) jakie formularze należy wypełnić), deklarację zgodności producenta dla wszystkich zastosowanych urządzeń (dla szlabanu drogowego patrz załącznik II) oraz deklarację zgodności wypełnioną przez instalatora.

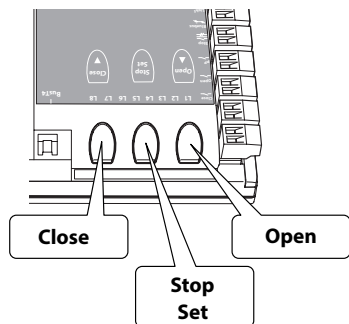
Na szlabanie należy zamocować tabliczkę zawierającą przynajmniej następujące dane: rodzaj automatu, nazwę i adres producenta (osoby odpowiedzialnej za przekazanie do eksploatacji), numer seryjny, rok produkcji i oznaczenie „CE”.



## 6 PROGRAMOWANIE CENTRALI STERUJĄCEJ

Na centrali sterującej znajdują się 3 klawisze **OPEN (▲)**, **STOP (Set)**, **CLOSE (▼)**, których można używać zarówno do sterowania centralą podczas prób, jak i do programowania dostępnych funkcji.

Dostępne funkcje, jakie można zaprogramować rozmieszczone są na 2 poziomach, a ich stan działania sygnalizowany jest przez 8 diod (**L1 ... L8**) znajdujących się na centrali.



### SYGNALIZACJE DIOD led:

- **Dioda włączona** = funkcja aktywna;
- **Dioda wyłączona** = funkcja nieaktywna.

### KLAWISZE PROGRAMOWANIA:

- **OPEN (▲)**: przycisk „OPEN” umożliwia sterowanie otwieraniem szlabanu, może być również używany pod-

czas programowania, w celu przesunięcia punktu programowania do góry.

- **STOP (Set)**: przycisk „STOP” umożliwia zatrzymywanie manewru; jeżeli zostanie wciśnięty przez dłużej niż 5 sekund, umożliwia przejście do fazy programowania.
- **CLOSE (▼)**: przycisk „CLOSE” umożliwia sterowanie zamykaniem szlabanu; może być również używany podczas programowania, w celu przesunięcia punktu programowania w dół.

**UWAGA! – Podczas wykonywania manewru (otwieranie lub zamykanie) wszystkie 3 klawisze (▲, Set, ▼) działają jak STOP, powodując zatrzymanie wykonywanego manewru lub odwrócenie kierunku jego wykonywania.**

### 6.1 - Programowanie pierwszego poziomu (ON-OFF)

Wszystkie funkcje pierwszego poziomu (**Tabela 6**) zaprogramowane są fabrycznie na „OFF” i mogą zostać zmodyfikowane w każdej chwili, jak pokazano w **Tabeli 7**. Parametry można regulować w skali wartości od 1 do 8; w celu sprawdzenia wartości odpowiadających każdej diodzie patrz **Tabela 6**.

**WAŻNE** – Podczas procedury programowania maksymalny czas trwania przerwy pomiędzy wciśnięciem dwóch przycisków wynosi 10 sekund. Po upływie tego czasu procedura kończy się automatycznie, zostaną wczytane modyfikacje wykonane do tego momentu.

TABELA 6 - Funkcje pierwszego poziomu

Dioda	Opis	Przykład
L1	Automatyczne zamykanie	Ta funkcja powoduje automatyczne zamykanie ramienia po upływie zaprogramowanego czasu przerwy. Wartość fabryczna: 30 sekund. Programowalna wartość od 5 do 200 sekund.
L2	Zamknij po fotokomórce	Ta funkcja umożliwia utrzymywanie ramienia w pozycji Otwarte tylko przez czas niezbędny dla przejazdu. Kiedy funkcja jest aktywna funkcjonowanie zmienia się w zależności od parametru ustawionego w funkcji „Automatyczne zamykanie”: <ul style="list-style-type: none"> <li>• przy <b>aktywnym</b> „automatycznym Zamykaniu” manewr Otwierania jest przerywany zaraz po zwolnieniu fotokomórek i po upłynięciu 5 sek. zaczyna się manewr Zamykania.</li> <li>• przy <b>nieaktywnym</b> „automatycznym zamykaniu” ramię osiąga zawsze położenie maksymalnego Otwarcia (również, jeśli fotokomórki zostaną zwolnione wcześniej) i po upłynięciu 5 sek. zaczyna się manewr Zamykania.</li> </ul>
L3	Zamknij zawsze	Funkcja ta jest przydatna w sytuacji wystąpienia przerwy w dopływie energii elektrycznej (nawet krótkotrwałej). Jeżeli funkcja jest aktywna (ON), po ponownym podłączeniu prądu elektrycznego centrala rozpoznaje, że ramię jest w położeniu Otwarte i włącza manewr Zamykania, który dla bezpieczeństwa jest poprzedzony przez trwające 3 sek. miganie wstępne lampy.
L4	Stand-by	Ta funkcja ogranicza zużycie prądu. Jeżeli jest aktywna, po upływie 1 minuty od zakończenia manewru centrala wyłącza TX fotokomórek Bluebus oraz wszystkie diody, za wyjątkiem diody Bluebus, która będzie migać wolniej. Kiedy centrala otrzyma jakieś polecenie, przywróci prawidłowe funkcjonowanie urządzenia. <b>Aby móc używać szlabanu z systemem Solemyo, należy włączyć jeszcze bardziej poszerzony tryb Stand-by – „Stand-by całościowy”. Ta operacja jest wykonywana za pomocą programatora Oview.</b>
L5	Zwalnianiedługie/krótkie	Ta funkcja umożliwia wydłużenie drogi zwalniania, zarówno podczas manewru otwierania, jak i zamykania. Jeżeli funkcja ta nie jest aktywna, zwalnianie jest krótkie.
L6	Automatyczny szybki start	Jeżeli parametr ten jest aktywny (ON), umożliwia aktywowanie szybkiego startu (z maksymalną prędkością) dopóki ramię nie zacznie się przemieszczać. Ustawiona fabrycznie wartość to „OFF”.
L7	Tryb Slave	Aktywowanie tej funkcji powoduje, że szlaban staje się szlabanem „Slave” (podległym): w ten sposób możliwe jest synchronizowanie działania 2 przeciwnych szlabanów, z których jeden pełni rolę Master, a drugi Slave. Dokładniejsze informacje zawarte są w punkcie 7.6 - Tryb Master-Slave.
L8	Kierunek obrotów silnika	Ten parametr umożliwia odwrócenie kierunku obrotów silnika, umożliwiające zainstalowanie szlabanu z prawej strony; wartość ustawiona fabrycznie to „OFF” (standardowe obroty silnika – szlaban jest zamykany na lewą stronę). <b>Ważne – kiedy funkcja zostaje włączona, należy na nowo wykonać rozpoznanie pozycji zamknięcia i otwarcia (punkt 4.5).</b>

TABELA 7 - Procedura programowania (pierwszy poziom)

01. Wciśnij i przytrzymaj przycisk <b>“Set”</b> przez około 3 sekundy;	
02. Zwolnij przycisk, kiedy dioda <b>“L1”</b> zacznie migać;	
03. Wciśnij przycisk <b>“▲”</b> lub <b>“▼”</b> , aby zmienić migającą diodę na tę diodę, którą reprezentuje funkcję, którą należy zmienić;	
04. Wciśnij na krótko przycisk <b>“Set”</b> , aby zmienić stan funkcji: (krótkie błysnięcie = OFF - długie błysnięcie = ON);	
05. Odczekaj 10 sekund (maksymalny czas), aby wyjść z programowania.	
<b>Uwaga</b> – Aby zaprogramować inne funkcje na „ON” lub „OFF” podczas wykonywania procedury należy powtórzyć punkty 03 i 04.	

### 6.2 - Programowanie drugiego poziomu (parametry regulowane)

Wszystkie parametry drugiego poziomu zostały ustawione fabrycznie (**Tabela 8**) i mogą zostać zmienione w dowolnym momencie, jak pokazano w **Tabeli 9**. Parametry można regulować w skali wartości od 1 do 8; w celu sprawdzenia wartości odpowiadających każdej diodzie patrz **Tabela 8**.

**WAŻNE** – Podczas procedury programowania maksymalny czas trwania przerwy pomiędzy wciśnięciem dwóch przycisków wynosi 10 sekund. Po upływie tego czasu procedura kończy się automatycznie, zostaną wczytane modyfikacje wykonane do tego momentu.


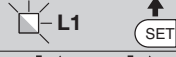






TABELA 8 - Funkcje drugiego poziomu

Dioda wejścia	Parametr	Dioda (poziom)	Wartość	Opis
L1	Czas trwania przerwy	L1	3 sekund	Reguluje czas trwania przerwy, czyli czas upływający pomiędzy końcem manewru otwierania a początkiem manewru automatycznego zamykania. Ten parametr wywiera efekt wyłączenia, jeśli automatyczne Zamykanie jest aktywne.
		L2	5 sekund	
		L3	7 sekund	
		L4	10 sekund	
		L5	15 sekund	
		L6	20 sekund	
		L7	40 sekund	
		L8	60 sekund	
L2	Funkcja Krok po kroku	L1	Otwarcie – stop – zamknięcie – stop	Reguluje kolejność poleceń połączonych z wejściem lub z poleceniem radiowym: "Krok po kroku".
		L2	Otwarcie – stop – zamknięcie – otwarcie	
		L3	Otwarcie – zamknięcie – otwarcie – zamknięcie	
		L4	Mieszkańowy 1	
		L5	Mieszkańowy 2	
		L6	Krok po kroku 2	
		L7	Obecność człowieka	
		L8	Otwieranie w trybie "półautomatycznym", zamykanie w "obecności użytkownika"	
L3	Prędkość silnika	L1	Prędkość 1 (50%)	Reguluje prędkość silnika podczas zwykłego ruchu.
		L2	Prędkość 2 (80%)	
		L3	Prędkość 3 (100%)	
		L4	Otwarcie V3, Zamknięcie V1	
		L5	Otwarcie V1, Zamknięcie V2	
		L6	Otwarcie V2, Zamknięcie V3	
		L7	Otwarcie V3, Zamknięcie V2	
		L8	Otwarcie V2, Zamknięcie V1	
L4	Wyjście 1 LIGHT	L1	Kontrolka otwartego ramienia (24 V - 10 W)	Wybór rodzaju urządzenia podłączonego do wyjścia LIGHT. <b>Ważne!</b> – Jeżeli programowanie zostanie zmienione, należy sprawdzić, czy rodzaj napięcia nowego urządzenia podłączonego do zacisku LIGHT odpowiada rodzajowi napięcia dla wybranego programowania wyjścia LIGHT.
		L2	Ramię zamknięte (24 V - 10 W)	
		L3	Ramię otwarte (24 V - 10 W)	
		L4	Lampa ostrzegawcza (12 V - 21 W)	
		L5	Lampa ostrzegawcza 1 (24 V - 10 W) (dla świateł ramienia)	
		L6	Zamek elektryczny (24 V - 10 W)	
		L7	Ssawka (24 V - 10 W)	
		L8	Kontrolka konserwacji (24 V - 10 W)	
L5	Wyjście diodowe (światła pokrywy)	L1	Lampa ostrzegawcza (tylko podczas wykonywania manewru)	Wybór trybu działania urządzenia podłączonego do wyjścia diodowego. Tryby od L1 do L4 można przypisać do diodowej lampy ostrzegawczej. Tryby od L5 do L8 można przypisać do semafora diodowego. <b>Ważne!</b> - Nie podłączać innych, nieprzewidzianych urządzeń.
		L2	Lampa ostrzegawcza 1 (miga zawsze)	
		L3	Światelko nocne	
		L4	Zawsze włączone	
		L5	Czerwony semafor	
		L6	Zielony semafor	
		L7	Semafor ruchu jednokierunkowego	
		L8	Semafor ruchu wahadłowego	
L6	Siła silnika	L1	Siła 1 (mała)	Podczas wykonywania manewru reguluje system kontroli siły silnika, aby dostosować ją do ciężaru ramienia.
		L2	Siła 2	
		L3	Siła 3	
		L4	Siła 4	
		L5	Siła 5	
		L6	Siła 6	
		L7	Siła 7	
		L8	Siła 8 (duża)	
L7	Czułość pętli detekcyjnej (Loop Detector)	L1	100% - maksymalna	Reguluje czułość, z jaką metalowe przedmioty wykrywane są przez obwód pętli detekcyjnej (Loop Detector). Patrz punkt 7.5 - rozdz. 7 Rozszerzenie wiadomości
		L2	90%	
		L3	80%	
		L4	70%	
		L5	60%	
		L6	50%	
		L7	40%	
		L8	30% - minimalna	
L8	Hamowanie	L1	0 - brak	Ustawianie intensywności hamowania, jakie wykonywane jest na etapie spowalniania manewru.
		L2	1	
		L3	2	
		L4	3	
		L5	5	
		L6	6	
		L7	8	
		L8	9 - maksymalne	

**OSTRZEŻENIA:**

- Nie należy ustawiać zbyt wysokiej wartości „siły silnika”, ponieważ może ona zakłócić działanie systemu zabezpieczającego lub uszkodzić ramię;
- Jeżeli kontrola „siły silnika” jest używana jako pomoc dla systemu redukcji siły uderzenia, należy powtórzyć pomiar siły po każdej regulacji, zgodnie z zaleceniami normy EN 12445
- Zużycie oraz warunki atmosferyczne wywierają wpływ na ruchy szlabanu, w związku z tym okresowo należy sprawdzać regulację „siły silnika”.

**TABELA 9 - Procedura programowania (drugi poziom)**

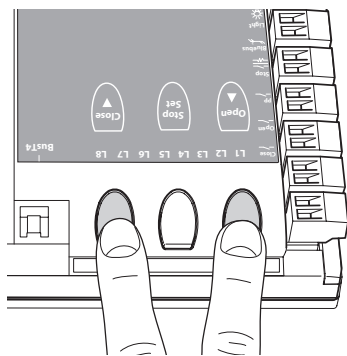
01. Wciśnij i przytrzymaj przycisk „Set” przez około 3 sekundy;	
02. Zwolnij przycisk, kiedy dioda „L1” zacznie migać;	
03. Wciśnij przycisk „▲” lub „▼”, aby zmienić migającą diodę na tę diodę, która reprezentuje funkcję, którą należy zmienić;	
04. Odczekaj około 3 sekundy, aż do zaświecenia się diody, która reprezentuje aktualny poziom modyfikowanego parametru;	
05. Odczekaj około 3 sekundy, aż do zaświecenia się diody, która reprezentuje aktualny poziom modyfikowanego parametru;	
06. Wciśnij przycisk „▲” lub „▼”, aby zmienić diodę, która reprezentuje wartość parametru;	
07. Zwolnij przycisk „Set”;	
08. Odczekaj 10 sekund (maksymalny czas), aby wyjść z programowania.	
<b>Uwaga</b> - Aby zaprogramować kilka parametrów podczas wykonywania tej procedury powtórz operacje od punktu 03 do punktu 07 podczas tej fazy.	

## 7 ROZSZERZENIE WIADOMOŚCI

### 7.1 - Całkowite kasowanie pamięci centrali sterującej

Możliwe jest skasowanie wszystkich danych wczytanych do centrali sterującej i przywrócenie jej ustawień fabrycznych:

01. Wcisnąć i przytrzymać równocześnie przyciski „▲” i „▼”;



02. (po upływie około 3 sekund) zwolnić przyciski, kiedy wszystkie diody zaświecą się;
03. Kiedy diody L1 i L2 zaczną migać, oznacza to, że procedura została ukończona.

Uwaga - Za pomocą tej procedury można skasować również ewentualne pozostałe w pamięci błędy.

**Ważne** – Ta procedura nie powoduje skasowania parametru określającego kierunek obrotów silnika oraz liczbę wykonanych manewrów.

### 7.2 - Inne funkcje

#### • Funkcja „Otwórz zawsze”

Ta funkcja jest specjalną funkcją centrali sterującej. Przypisana jest ona do wejścia „Krok po kroku” i umożliwia **zawsze** wydanie polecenia otwarcia, kiedy polecenie Krok po Kroku będzie aktywne przez ponad 3 sekundy. Ta funkcja obowiązuje dla każdego programowania wejścia Krok po Kroku (patrz „Funkcja PP” w Tabeli 8).

Na przykład może być wykorzystywana do podłączenia zegara, umożliwiającą zaprogramowanie stałego otwarcia szlabanu w określonych godzinach.

#### • Funkcja „Przesuń mimo wszystko”

W przypadku, kiedy jedno lub kilka urządzeń zabezpieczających nie będzie działać prawidłowo lub będą one niezdatne do użytku, funkcja ta umożliwi w dalszym ciągu sterowanie szlabanem w trybie „Obecność człowieka” (szczegółowe informacje można znaleźć w rozdziale „Instrukcja obsługi”).

#### • Funkcja „Wezwanie do konserwacji”

Funkcja ta umożliwia zawiadomienie, kiedy należy przeprowadzić konserwację automatu. Parametr „Wezwanie do konserwacji” można ustawić za pomocą programatora Oview. Zawiadomienie o konserwacji jest sygnalizowane przez lampę ostrzegawczą Flash lub przez kontrolkę konserwacji, w zależności od ustawionego rodzaju programowania. Sygnalizacje lampy ostrzegawczej Flash oraz kontrolki konserwacji są podane w Tabeli 10.

#### • Kontrola liczby wykonanych manewrów

Aby sprawdzić liczbę wykonanych manewrów, konieczny jest programator Oview; parametry można sprawdzić pod hasłem „Konserwacja”.

#### • Zerowanie licznika manewrów

Zerowanie manewrów należy wykonywać po zakończeniu przeglądu automatu, **dezaktywując** funkcję „Kontrolka konserwacji” wyjścia LIGHT.

**Uwaga** - Należy odłączyć na chwilę urządzenie podłączone do wyjścia 1 LIGHT.

Procedura aktywowania kontrolki konserwacji (kiedy **nie jest jeszcze aktywna**):

01. Wcisnąć i przytrzymać przycisk **Set** przez około 3 sekundy;
02. Zwolnić przycisk, kiedy dioda L1 zacznie migać;
03. Wcisnąć przycisk „▲” lub „▼”, aby zmienić położenie z migającą diodę na diodę L4 (dioda wejściową „Wyjście LIGHT”);
04. Wcisnąć i przytrzymać przycisk **Set**, aż do zakończenia punktu 07;
05. Odczekać około 3 sekund, aż zapali się dioda zaprogramowanego wyjścia;
06. Wcisnąć przycisk „▲” lub „▼”, aby przesunąć pozycję zapalanej diody na L8;
07. Zwolnić przycisk „Set” i zaczekać na wyjście z procedury programowania z powodu przeterminowania.

Procedura dezaktywowania kontrolki konserwacji (kiedy **jest już aktywna**):

01. Wcisnąć i przytrzymać przycisk „Set” przez około 3 sekundy;
02. Zwolnić przycisk, kiedy dioda L1 zacznie migać;
03. Wcisnąć przycisk „▲” lub „▼”, aby zmienić położenie z migającą diodę na diodę L4 (dioda wejściową „Wyjście LIGHT”);
04. Wcisnąć i przytrzymać przycisk **Set**, aż do zakończenia punktu 07;
05. Odczekać około 3 sekund, aż zapali się dioda L8;
06. Wcisnąć przycisk „▲” lub „▼”, aby przesunąć pozycję zapalanej diody na L8;
07. Zwolnić przycisk „Set” i zaczekać na wyjście z procedury programowania z powodu przeterminowania.

W tym momencie wezwanie do konserwacji zostało skasowane.

**TABELA 10**

Ilość manewrów	Lampa ostrzegawcza Flash	Kontrolka konserwacji
Poniżej 80% limitu	Normalnie (0,5 sek. zapalona - 0,5 sek. zgaszona)	Świeci się przez 2 sekundy na początku manewru Otwieranie
Od 81% do 100% limitu	Na początku manewru pozostanie włączona przez 2 sek funkcjonuje w zwykły sposób	Miga podczas całego manewru następnie
Powyżej 100% limitu	Na początku i na końcu manewru świeci się przez 2 sekundy, następnie funkcjonuje w zwykły sposób	Zawsze miga



Uwaga - Ustawić ponownie programowanie wyjścia LIGHT z urządzeniem, które ma być używane, a następnie podłączyć je ponownie do wyjścia.

### 7.3 - Dodawanie i odłączanie urządzeń

W dowolnej chwili możliwe jest dodanie nowych urządzeń, podłączonych do wejść BlueBus i Stop lub odłączanie urządzeń już obecnych. Aby to zrobić, należy postępować w następujący sposób:

01. Wcisnąć i przytrzymać równocześnie przyciski „▲” i „Set”;
02. (po około 3 sekundach) zwolnić przyciski, kiedy diody L1 i L2 zaczną bardzo szybko migać;
03. Odczekać kilka sekund, dopóki centrala nie zakończy fazy rozpoznawania podłączonych urządzeń;
04. Po zakończeniu tej fazy, dioda STOP pozostaje zapalona, natomiast diody L1 i L2 gasną (ewentualnie zaczynają migać diody L3 i L4).

Po zakończeniu tej procedury należy ponownie wykonać próbę automatu, jak wskazano w rozdziale 5.1.

#### 7.3.1 - Wejście Bluebus

System BlueBus umożliwia podłączanie kompatybilnych urządzeń z zastosowaniem tylko dwóch przewodów, przez które przepływa zarówno zasilanie elektryczne jak i sygnały komunikacyjne. Wszystkie urządzenia połączone są równolegle do tych samych 2 przewodów Bluebus, bez konieczności przestrzegania biegunowości. Każde urządzenie jest rozpoznawane odrębnie, ponieważ podczas montażu jest mu nadawany niepowtarzalny adres. Z systemem Bluebus można połączyć fotokomórki, urządzenia zabezpieczające, urządzenia sterujące, takie jak klawiatury i czytniki kart zbliżeniowych, kontrolki sygnalizacyjne, itp. Podczas fazy rozpoznawania centrala sterująca rozpoznaje niezależnie wszystkie podłączone urządzenia, jest również w stanie wykrywać ewentualne nieprawidłowości. Za każdym razem, kiedy do systemu Bluebus zostanie dodane lub odłączone jakieś urządzenie, należy wykonać fazę rozpoznawania, jak opisano w punkcie 4.4.

#### 7.3.2 - Fotokomórki

System Bluebus umożliwia rozpoznawanie fotokomórek przez centralę poprzez ustawienia specjalnych mostków (patrz Tabela 11), umożliwia on również prawidłowe realizowanie funkcji wykrywania przeszkód. Operacja adresowania musi zostać wykonana zarówno na fotokomórce TX jak i RX, poprzez ustawienie mostków w ten sam sposób i sprawdzenie, czy nie występują inne pary fotokomórek, którym został przydzielony ten sam adres.

Fotokomórki można zamontować tak, jak pokazano na rys. D. Ważne – Po zamontowaniu lub odłączeniu fotokomórek należy wykonać fazę rozpoznawania urządzeń, jak opisano w punkcie 4.4.

Możliwe jest zamontowanie fotokomórki TX lub RX wewnątrz skrzyni szlabanu, w specjalnie przewidzianym do tego miejscu (rys. 53).

Aby wymienić fotokomórkę, należy wykonać następujące czynności:

01. Wyjąć kartę fotokomórki ze skrzynki, podważając ją płaskim śrubokrętem (rys. 53-a). **UWAGA!** - Nie wolno uszkodzić znajdujących się wewnątrz elementów elektrycznych;
02. Otworzyć puszkę fotokomórek, znajdującą się w skrzyni urządzeń dodatkowych (rys. 53-b);
03. Zamocować kartę na dnie puszkę (rys. 53-c);
04. Wykonać otwór w gumowym panelu, przez który ma przejść kabel elektryczny (rys. 53-d);
05. Przełożyć kabel elektryczny i podłączyć go do zacisku fotokomórki (rys. 53-e);
06. Zamknąć dno skrzynki pokrywą, uważając, aby zablokować gumę w gnieździe (rys. 53-f);
07. Zawiesić puszkę na obiektywie po stronie skrzyni, przesuując ją z góry na dół (rys. 53-g).

**UWAGA:** Istnieje możliwość podłączenia do wejścia Bluebus 2 fotokomórek z funkcją sterowania „otwiera FA1” i „zamyka FA2” (należy przeciąć mostek A w tylnej części kart TX i RX). Kiedy fotokomórki są aktywowane, centrala wydaje polecenie wykonania manewru otwarcia. Więcej informacji można znaleźć w instrukcji obsługi fotokomórek.

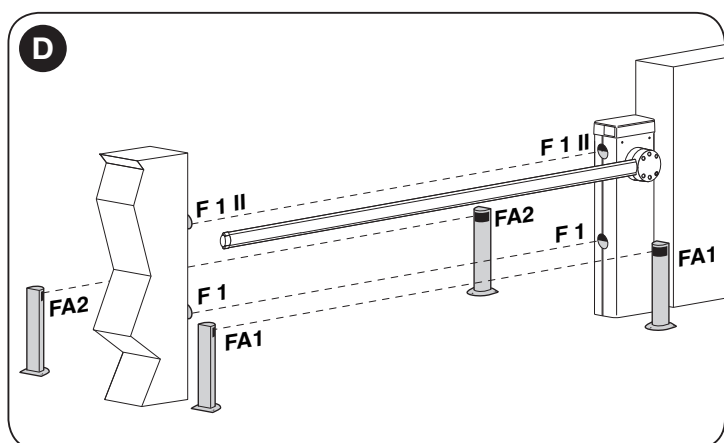


TABELA 11 - ADRESY FOTOKOMÓREK

Fotokomórka	Mostki	
FOTO	Fotokomórka h = 50 działająca podczas zamykania	
FOTO II	Fotokomórka h = 100 działająca podczas zamykania	
FOTO 1	Fotokomórka h = 50 działająca podczas zamykania	
FOTO 1 II	Fotokomórka h = 100 działająca podczas zamykania	
FOTO 2	Fotokomórka działająca podczas otwierania (zmienia na zamykanie)	
FOTO 2 II	Fotokomórka działająca podczas otwierania (zmienia na zamykanie)	
FOTO 3	Jedyna fotokomórka działająca zarówno podczas otwierania jak i zamykania	
FA1	Fotokomórka sterująca otwieraniem (przeciąć mostek A w tylnej części kart TX i RX)	
FA2	Fotokomórka sterująca otwieraniem (przeciąć mostek A w tylnej części kart TX i RX)	

#### 7.3.3 - Przełącznik cyfrowy MOTB i czytnik zbliżeniowy kart MOMB

System Bluebus umożliwia podłączenie do 4 przełączników cyfrowych MOTB lub 4 czytników kart zbliżeniowych MOMB.

Przełącznik MOTB umożliwia sterowanie automatem poprzez wpisywanie na klawiaturze jednej z wczytanych kombinacji numerycznych.

Czytnik MOMB umożliwia sterowanie automatem poprzez przesunięcie wczytanej uprzednio karty zbliżeniowej przed czujnikiem.

Urządzenia te wyposażone są w niepowtarzalny kod, który jest rozpoznawany i zapamiętywany podczas fazy rozpoznawania wszystkich podłączonych urządzeń (patrz punkt 4.4).

W ten sposób można zapobiec wszelkim próbom nieautoryzowanej zamiany urządzenia; żadna nieupoważniona osoba nie może sterować automatem. Szczegółowe informacje można znaleźć w instrukcji obsługi MOTB i MOMB.

#### 7.3.4 - Wejście STOP

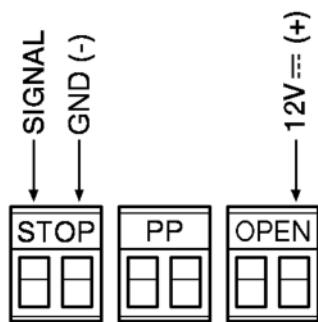
Funkcją wejścia STOP jest powodowanie natychmiastowego zatrzymania wykonywanego manewru, po którym nastąpi krótka zmiana kierunku. Do tego wejścia mogą zostać podłączone urządzenia z wyjściem ze stykiem normalnie otwartym „NO”, normalnie zamkniętym „NC”, urządzenia optyczne lub urządzenia z wyjściem o stałej oporności 8,2kΩ (ochronne listwy krawędziowe). Podczas fazy rozpoznawania centrala rozpoznaje rodzaj podłączonego urządzenia i powoduje zatrzymanie ramienia (STOP) w przypadku wystąpienia jakiegokolwiek zmiany w stosunku do rozpoznanego stanu. Za pomocą specjalnych środków, istnieje możliwość podłączenia do wejścia STOP więcej niż jednego urządzenia, nawet różnych rodzajów:

- Można podłączyć równolegle ze sobą kilka urządzeń typu NO, bez ograniczenia ilości;
- Można podłączyć równolegle ze sobą kilka urządzeń typu NC, bez ograniczenia ilości;
- Można podłączyć równolegle ze sobą dwa urządzenia z wyjściem o stałej oporności 8,2kΩ; w przypadku występowania więcej niż 2 urządzeń, muszą one zostać połączone „kaskadowo” z tylko jedną opornością końcową 8,2kΩ;
- Możliwa jest również kombinacja typu NO i NC, z równoległym połączeniem 2 styków. W tym przypadku należy połączyć szeregowo ze stykiem NC oporność 8,2kΩ; umożliwia to również kombinację 3 różnych urządzeń: NA, NC i 8,2 kΩ.

**Uwaga** – Jeżeli wejście STOP jest używane do podłączania urządzeń pełniących funkcje zabezpieczające, muszą to być urządzenia z wyjściem o stałej oporności 8,2kΩ lub urządzenia optyczne OPTO SENSOR, które gwarantują odpowiedni poziom zabezpieczenia przed uszkodzeniami.

Aby podłączyć urządzenie optyczne typu OPTO SENSOR należy wykonać połączenia jak pokazano na rys. E; maksymalny prąd dostarczany wynosi 40 mA przy 12 Vcc.

E



## 7.4 - Diagnostyka

Niektóre urządzenia są przystosowane do wydawania sygnałów, za pomocą których możliwe jest rozpoznawanie stanu działania lub ewentualnych anomalii.

### 7.4.1 - Sygnalizacje centrali sterującej

Diody wejść oraz przycisków znajdujących się w centrali sterującej emitują specjalne sygnały, aby informować o zwykłym działaniu, jak i ewentualnych anomaliiach. W Tabelach 12 i 13 opisane są przyczyny i rozwiązania dla każdego typu sygnalizacji.

TABELA 12 - Diody zacisków występujących w centrali sterującej

Diody Bluebus	Przyczyna	Rozwiązanie
Zgaszona	Anomalia	Sprawdź czy jest obecne zasilanie; sprawdź czy bez piecniki nie zadziałały; w tym przypadku sprawdź przyczynę uszkodzenia i wymień je na inne o tej samej wartości.
Zapalona	Poważna anomalia	Wystąpiła poważna anomalia; spróbuj wyłączyć centralę na kilka sekund; jeżeli ten stan będzie się utrzymywać nadal wskazuje on usterkę, należy wymienić płytę elektroniki.
1 błysk na sekundę	Wszystko OK	Zwykłe funkcjonowanie centrali
2 szybkie błyski	Nastąpiła zmiana stanu wejść	Jest to prawidłowe zachowanie, gdy nastąpi zmiana stanu któregoś z wejść: Krok po Kroku, STOP, OPEN, CLOSE, zadziałanie fotokomórki lub użycie nadajnika radiowego.
Seria błysków oddzielonych przerwą	Różne	Jest tą samą sygnalizacją, która występuje na lampie ostrzegawczej (patrz Tabela 15)
Diody STOP	Przyczyna	Rozwiązanie
Zgaszona	Zadziałanie wejścia STOP	Sprawdź urządzenia podłączone do wejścia STOP
Zapalona	Wszystko OK	Wejście STOP aktywne
Diody PP	Przyczyna	Rozwiązanie
Zgaszona	Wszystko OK	Wejście P.P. nieaktywne
Zapalona	Zadziałanie wejścia PP	Zdarza się, jeśli jest rzeczywiście aktywne urządzenie podłączone do wejścia PP
Diody OPEN	Przyczyna	Rozwiązanie
Zgaszona	Wszystko OK	Wejście OPEN nieaktywne
Zapalona	Zadziałanie wejścia OPEN	Zdarza się, jeśli jest rzeczywiście aktywne urządzenie podłączone do wejścia OPEN
Diody CLOSE	Przyczyna	Rozwiązanie
Zgaszona	Wszystko OK	Wejście CLOSE nieaktywne
Zapalona	Zadziałanie wejścia CLOSE	Zdarza się, jeśli jest rzeczywiście aktywne urządzenie podłączone do wejścia CLOSE
Diody ogranicznika FC1	Przyczyna	Rozwiązanie
Zgaszona	Ogranicznik zadziałał	- Jeżeli ustawiony jest parametr „Standardowy kierunek obrotów silnika”, ramię znajduje się w pozycji całkowitego zamknięcia. - Jeżeli ustawiony jest parametr „Odwrócony kierunek obrotów silnika”, ramię znajduje się w pozycji całkowitego otwarcia.
Zapalona	Ogranicznik nie zadziałał	- Jeżeli ustawiony jest parametr „Standardowy kierunek obrotów silnika”, ramię znajduje się w pozycji innej niż całkowite zamknięcie. - Jeżeli ustawiony jest parametr „Odwrócony kierunek obrotów silnika”, ramię znajduje się w pozycji innej niż całkowite otwarcie.
Diody ogranicznika FC2	Przyczyna	Rozwiązanie
Zgaszona	Ogranicznik zadziałał	- Jeżeli ustawiony jest parametr „Standardowy kierunek obrotów silnika”, ramię znajduje się w pozycji całkowitego otwarcia. - Jeżeli ustawiony jest parametr „Odwrócony kierunek obrotów silnika”, ramię znajduje się w pozycji całkowitego zamknięcia.
Zapalona	Ogranicznik nie zadziałał	- Jeżeli ustawiony jest parametr „Standardowy kierunek obrotów silnika”, ramię znajduje się w pozycji innej niż całkowite otwarcie. - Jeżeli ustawiony jest parametr „Odwrócony kierunek obrotów silnika”, ramię znajduje się w pozycji innej niż całkowite zamknięcie.
Diody kodera	Przyczyna	Rozwiązanie
Zgaszona	Magnes znajduje się przed czujnikiem	Jeżeli aktualnie nie jest wykonywany żaden manewr, jest to normalna a sytuacja. W przeciwnym wypadku świadczy ona o tym, że koder jest uszkodzony lub przewód nie został dobrze podłączony.
Zapalona	Magnes nie znajduje się przed czujnikiem	Jeżeli aktualnie nie jest wykonywany żaden manewr, jest to normalna sytuacja. W przeciwnym wypadku świadczy ona o tym, że koder jest uszkodzony lub przewód nie został dobrze podłączony.
Lampa ostrzegawcza	Manewr w toku	Wszystko OK, jeżeli aktualnie wykonywany jest jakiś manewr. Częstotliwość migania jest proporcjonalna do prędkości. <i>Uwaga - Podczas wykonywania manewru szybkie miganie może wyglądać, jakby dioda świeciła światłem stałym.</i>

**TABELA 13 - Diody przycisków występujących w centrali sterującej**

<b>Dioda 1</b>	<b>Przyczyna</b>
Zgaszona	Podczas zwykłego funkcjonowania wskazuje "Automatyczne zamknięcie" nieaktywne.
Zapalona	Podczas zwykłego funkcjonowania wskazuje "Automatyczne zamknięcie" aktywne.
Miga	<ul style="list-style-type: none"> <li>• Programowanie funkcji w toku.</li> <li>• Jeżeli miga jednocześnie z L2 oznacza to, że należy wykonać fazę rozpoznawania urządzeń (patrz paragraf 4.4).</li> </ul>
Szybkie miganie	Po włączeniu centrali wskazuje na błąd pamięci dotyczący <u>podłączonych urządzeń</u> . Jednocześnie dioda „Bluebus” emituje komunikat diagnostyczny: 5 mignięć- pauza 1-sekundowa - 5 mignięć. W tym przypadku należy wykonać fazę rozpoznania podłączonych urządzeń (patrzpunkt 4.4) lub skasować pamięć (patrz punkt 7.1).
<b>Dioda 2</b>	<b>Przyczyna</b>
Zgaszona	Podczas zwykłego funkcjonowania wskazuje "Zamknij za fotokomórką" nieaktywne.
Zapalona	Podczas zwykłego funkcjonowania wskazuje "Zamknij za fotokomórką" aktywne.
Miga	<ul style="list-style-type: none"> <li>• Programowanie funkcji w toku</li> <li>• Jeżeli miga jednocześnie z diodą L1 oznacza to, że należy wykonać fazę rozpoznawania urządzeń (patrz paragraf 4.4)</li> </ul>
Szybkie miganie	Po włączeniu centrali wskazuje na błąd pamięci dotyczący <u>położeń krańcowych</u> . Jednocześnie dioda „Bluebus” emituje komunikat diagnostyczny: 5 mignięć- pauza 1-sekundowa - 5 mignięć. W tym przypadku należy wykonać fazę rozpoznania pozycji otwierania i zamykania (patrzpunkt 4.5) lub skasować pamięć (patrz punkt 7.1).
<b>Dioda 3</b>	<b>Przyczyna</b>
Zgaszona	Podczas zwykłego funkcjonowania wskazuje "Zamknij zawsze" nieaktywne.
Zapalona	Podczas zwykłego funkcjonowania wskazuje "Zamknij zawsze" aktywne.
Miga	<ul style="list-style-type: none"> <li>• Programowanie funkcji w toku</li> <li>• Jeżeli miga jednocześnie z diodą L4 oznacza to, że należy wykonać fazę rozpoznawania pozycji Otwarcia i Zamknięcia ramienia (patrz paragraf 4.5).</li> </ul>
Szybkie miganie	Po włączeniu centrali wskazuje błąd pamięci dotyczący <u>parametrów i konfiguracji</u> . Jednocześnie dioda "Bluebus" wykona sygnalizację diagnostyczną: 5 błysków - przerwa 1-sekundowa - 5 błysków. W tym przypadku należy skasować pamięć (patrz paragraf 8.1), następnie powtórzyć rozpoznawanie podłączonych urządzeń (patrz paragraf 4.4) i rozpoznawanie pozycji Otwarte i Zamknięte (patrz paragraf 4.5).
<b>Dioda 4</b>	<b>Przyczyna</b>
Zgaszona	Podczas zwykłego funkcjonowania wskazuje "Stand-By" nieaktywny.
Acceso	Podczas zwykłego funkcjonowania wskazuje "Stand-By" aktywny.
Miga	<ul style="list-style-type: none"> <li>• Programowanie funkcji w toku</li> <li>• Jeżeli miga jednocześnie z diodą L3 oznacza to, że należy wykonać fazę rozpoznawania pozycji Otwarte i Zamknięte (patrz paragraf 4.5).</li> </ul>
Szybkie miganie	Wykryto zwarcie lub nadmierny pobór prądu w jednym z 3 wyjść z zaciskiem. Sprawdzić połączenia i urządzenia podłączone do poszczególnych wyjść.
<b>Dioda 5</b>	<b>Przyczyna</b>
Zgaszona	Podczas zwykłego funkcjonowania wskazuje "Krótkie zwalnianie" aktywne.
Zapalona	Podczas zwykłego funkcjonowania wskazuje "Długie zwalnianie" aktywne.
Miga	Programowanie funkcji w toku.
Szybkie miganie	Wystąpił błąd obliczeń w koderze, gdyż nie został wykryty jeden lub więcej magnesów, kabel nie został podłączony lub jest to trzeci z kolei manewr, podczas którego aktywna jest funkcja „Wykrywanie przeszkód.” Sprawdzić, czy wszystkie magnesy są wykrywane oraz czy kabel jest podłączony i znajduje się w dobrym stanie.
<b>Dioda 6</b>	<b>Przyczyna</b>
Zgaszona	Podczas zwykłego funkcjonowania wskazuje "Miganie wstępne" nieaktywne.
Zapalona	Podczas zwykłego funkcjonowania wskazuje "Miganie wstępne" aktywne.
Miga	Programowanie funkcji w toku.
Szybkie miganie	<ul style="list-style-type: none"> <li>- Wyłączniki krańcowe są zamienione. Odwrócić okablowanie wyłączników krańcowych i sprawdzić, czy ustawiony został parametr „Kierunek obrotów silnika”.</li> <li>- Po wysłaniu polecenia wykonania manewru, ogranicznik nie został zwolniony w ustalonym czasie: sprawdzić, czy nic nie uniemożliwia wykonania manewru, ewentualnie aktywować funkcję „szybki start”.</li> </ul>
<b>Dioda 7</b>	<b>Przyczyna</b>
Zgaszona	Podczas zwykłego funkcjonowania wskazuje "Miganie wstępne" nieaktywne.
Zapalona	Podczas zwykłego funkcjonowania wskazuje "Miganie wstępne" aktywne.
Miga	Programowanie funkcji w toku.
Szybkie miganie	Błąd w komunikacji Master/Slave. Sprawdzić, czy przewód jest podłączony, skontrolować biegunowość przewodu łączącego Master/Slave lub upewnić się, czy została wykonana faza zatwierdzenia Master/Slave dla obu centrali (patrz punkt 7.6 – „Master/Slave”)
<b>Dioda 8</b>	<b>Przyczyna</b>
Zgaszona	Podczas zwykłego funkcjonowania wskazuje "Czułość amperometryczną" nieaktywną.
Zapalona	Podczas zwykłego funkcjonowania wskazuje "Czułość amperometryczną" aktywną.
Miga	Programowanie funkcji w toku.
Szybkie miganie	Błąd wersji barierki. Typ barierki nie współgra z wersją zapisaną w centrali. Sprawdzić, czy przewody tej wersji są w dobrym stanie i zostały prawidłowo podłączone. Jeżeli błąd nie znika, skasować pamięć i nową instalację.

## 7.4.2 - Sygnalizacje lampy ostrzegawczej

Jeżeli do wyjścia FLASH, znajdującego się w centrali sterującej zostanie podłączona lampa ostrzegawcza (lub używana jest lampa diodowa, będąca urządzeniem dodatkowym), podczas wykonywania manewru będzie ona migać w odstępach 1- sekundowych. W przypadku wystąpienia anomalii lampa ostrzegawcza wykona dwukrotnie i w odstępie 1 sekundy serię krótkich mignięć.

Sygnaly takie emitowane są także przez lampę diodową (urządzenie dodatkowe) lub diodę systemu "Bluebus". W Tabeli 14 opisane zostały przyczyny i rozwiązania dla każdego typu sygnalizacji.

TABELA 14

Sygnalizacja	Przyczyna	Rozwiązanie
1 błysk przerwa trwająca 1 sekundę 1 błysk	Błąd w systemie Bluebus	Weryfikacja urządzeń podłączonych do systemu Bluebus, która jest wykonywana na początku manewru, nie odpowiada urządzeniom wczytanym podczas fazy rozpoznawania. Istnieje możliwość występowania uszkodzonych urządzeń, sprawdź je lub wymień. Jeżeli zostały wprowadzone zmiany ponownie rozpoznaj urządzenia, (przeczytaj paragraf 4.5).
2 błyski przerwa trwająca 1 sekundę 2 błyski	Zadziałanie fotokomórki	Na początku manewru jedna lub kilka fotokomórek nie udzieliły zezwolenia na ruch; sprawdź obecność przeszkód.
3 błyski przerwa trwająca 1 sekundę 3 błyski	Zadziałanie ogranicznika "Siły Silnika"	Podczas ruchu ramię napotkało na większe opory; sprawdź przyczynę.
4 błyski przerwa trwająca 1 sekundę 4 błyski	Zadziałanie wejścia STOP	Na początku manewru lub podczas ruchu zadziałało wejście STOP; sprawdź przyczynę.
5 błyski przerwa trwająca 1 sekundę 5 błyski	Błąd w parametrach wewnętrznych centrali sterującej	Odłączyć i załączyć ponownie zasilanie. Jeżeli błąd nie znika, należy wykonać procedurę „Całkowitego kasowania pamięci”, opisaną w rozdziale 7.1 i powtórzyć instalację. Jeżeli sytuacja się nie zmienia, może się okazać, że jest to poważna usterka i wymaga wymiany płyty układu.
6 błyski przerwa trwająca 1 sekundę 6 błyski	Nie używana	—
7 błyski przerwa trwająca 1 sekundę 7 błyski	Błąd w wewnętrznych obwodach elektrycznych	Odłączyć na kilka sekund wszystkie obwody zasilania, następnie spróbuj ponownie wysłać polecenie; jeżeli ten stan będzie się nadal utrzymywał może oznaczać obecność poważnego uszkodzenia w centrali lub w połączeniach z silnikiem. Wykonaj weryfikacje i ewentualne wymiany.
8 błyski przerwa trwająca 1 sekundę 8 błyski	Nie używana	—
9 błyski przerwa trwająca 1 sekundę 9 błyski	Zablokowanie automatyki	Wyślij polecenie "Odblokuj automatykę" lub wysteryluj manewr z pomocą "Krok po kroku Wysoki priorytet".

## 7.5 - Pętla detekcyjna (Loop Detector)

W centrali sterującej znajdują się dwa obwody przeznaczone do wykrywania metalowych przedmiotów (motocykle, samochody, ciężarówki, itp.). Każdy obwód można uzupełnić w pętlę indukcyjną, składającą się z 1 kabla jednobiegunowego, który należy umieścić pod ziemią na głębokości kilku centymetrów.

### 7.5.1 - Działanie

Kiedy centrala sterująca wykryje zmianę częstotliwości podczas przemieszczania się metalowego obiektu nad pętlą, powoduje aktywowanie manewru lub wyjścia (wyjście 1, 2, 3), w celu uruchomienia lampy ostrzegawczej, kontrolki barierki lub światła ramienia. Ustawienie fabryczne steruje otwarciem ramienia. Dopóki pętla działa nie można wydać polecenia zamknięcia.

Kiedy centrala zostanie zasilona, wykonuje wzorcowanie, czyli pomiar częstotliwości działania każdej pętli. Jeżeli do centrali nie są podłączone żadne pętli, obwód wyłącza się automatycznie po 30 sekundach. Możliwe jest wyregulowanie „czułości wykrywania metalowych obiektów” w 8 stopniowej skali (patrz Tabela 7 rozdział 6). Fabrycznie wartość ta ustawiona jest na 90%.

Za pomocą programatora Oview można zmieniać inne parametry i tryby działania przypisane do pętli detekcyjnej Loop Detector.

Możliwe jest wykonanie następującego programowania (patrz również wartości w Tabeli 15):

- **Czułość pętli:** służy do ustawiania zmiany minimalnej częstotliwości metalowego obiektu jaka powinna aktywować manewr. Parametry odniesienia:
  - ustawić „wysoką czułość”, aby zapewnić wykrywanie metalowych obiektów o małych wymiarach
  - ustawić „niską czułość”, aby zapewnić wykrywanie metalowych obiektów o dużych wymiarach.
- **Zasilanie pętli:** służy do aktywowania lub dezaktywowania obwodów pętli detekcyjnej (loop detektor).
- **Aktywowanie pętli 1, 2:** interwencja pętli powoduje aktywowanie szlabanu zgodnie z ustawionymi trybami działania. Jeżeli funkcja ta zostanie DEZAKTYWOWANA, status pętli można sprawdzić poprzez odpowiednie zaprogramowanie za pomocą urządzenia Oview jednego z wyjść (wyjście 1, 2, 3), znajdujących się w centrali.
- **Czas zajęcia pętli:** czas, w którym pętla jest zajęta. Po upływie tego czasu automatycznie aktywowane jest ponowne wzorcowanie sygnalizujące, że

pętla została zwolniona.

- **Tryb działania pętli:** jeżeli funkcja „Aktywowanie pętli” jest włączona, a sygnał sterujący pętli jest AKTYWNY, wykonywane przez szlaban manewry zmieniają się w zależności od ustawionego „trybu działania pętli”:

- tylko otwieranie (otwieranie dla lokatorów)
- tylko zamykanie
- alt

- fotokomórka zamykania (FOTO z całkowitym odwróceniem). **UWAGA!** – **Wzór skonfigurowany jako „foto zamyka” nie jest urządzeniem ochronnym, z tego względu nie gwarantuje się jego interwencji w żadnych warunkach. Przy każdym uruchomieniu centrala przeprowadza kalibrację biorąc pod uwagę brak masy metalowej na zwojach.**

- **Wzorcowanie:** służy do uruchamiania procedury wzorcowania, to jest rozpoznawania podłączonej pętli. Uwaga: wzorcowanie powoduje automatyczne aktywowanie parametru „Zasilanie pętli”.

- **Sposoby aktywowania:** patrz Tabela 16 (przekaznik = sygnał sterujący pętli).

- **Czas aktywowania pętli:** jest to czas „t”, związany z trybami działania opisanymi w Tabeli 16.

- **Podgląd częstotliwości pętli:** sygnalizuje w Hz częstotliwość drgania zaznaczonej pętli.

### 7.5.2 - Instalacja

#### OSTRZEŻENIA

- Zaleca się, aby zainstalować pętlę magnetyczną w pobliżu szlabanu.
- Kable elektryczne pętli magnetycznych należy odseparować od innych kabli znajdujących się w szlabanie (zasilających, pomocniczych, itp.).
- Jeżeli pętla magnetyczna podłączona są do kilku szlabanów, należy ustawić je w odległości przynajmniej 1 m od siebie.
- **Ważne!** – pętlę magnetyczną należy zamocować nieruchomo, gdyż ewentualne przemieszczenie spowodowane niestabilnym podłożem mogłoby spowodować jej nieprawidłowe zadziałanie.
- Wymiar pętli należy określić stosownie do jej zastosowania. Należy uwzględnić fakt, iż pętlę należy umieścić w odległości przynajmniej 20 cm od stałych elementów metalowych oraz w odległości przynajmniej 1 m od ruchomych elementów metalowych (**rys. F**). Uwaga - Aby uzyskać optymalne działanie pętli, zaleca się stosowanie pętli o wymiarach mniejszych lub równych wykry-

wanemu obiektowi.

- Zazwyczaj pętla stosowana do przejazdu samochodów i ciężarówek ma kształt prostokąta i umieszczana jest pod kątem 45° do jezdni, po której przejeżdżają rowery i motocykle (**rys. G**). Uwaga - Zaleca się ucięcie kątów 45° trasy na podłożu, aby zapobiec przerwananiu przewodu.
  - **WAŻNE** – W CELU UNIKNIĘCIA ZAKŁÓCENI, **PRZEWODY ŁĄCZĄCE PĘTLĘ POWINNY BYĆ SKRĘCONE PRZYNAJMNIEJ 20 RAZY NA METR I NIE POWINNY ZAWIERAĆ ŻADNYCH ŁĄCZEŃ**. W razie konieczności przedłużenia przewodu, należy zespawać przewody i zabezpieczyć je termokurczliwą osłonką. **Długość skręconego kabla powinna być mniejsza niż 20 m.**
01. Po określeniu wymiaru pętli, należy wykonać w podłożu wgłębienie o szerokości 8 mm i głębokości 30-50 mm (**rys. H**);
  02. Oczyszczyć wgłębienie i włożyć do niego pętlę, ugniatając ją w taki sposób, aby nie mogła się przemieścić;
  03. Wykonać niezbędną, dostosowaną do obwodu, liczbę skręceń pętli, jak wskazano w **Tabeli 17**: należy użyć izolowanego, miedzianego kabla jed-

nobiegunowego o średnicy 1,5 mm<sup>2</sup> (**rys. H**);

04. Przed zasypaniem wgłębienia należy sprawdzić, czy wartość pętli indukcyjnej zawiera się pomiędzy 100 a 400 uH lub - wykorzystując programator Oview - sprawdzić, czy zmierzona wartość częstotliwości (parametr „Częstotliwość pętli”) zawiera się pomiędzy 30 a 90 KHz;
05. Przykryć pętlę piachem, aby ją zabezpieczyć, a następnie uszczelnić wgłębienie asfaltem lub żywicą do zastosowań zewnętrznych (**rys. H**). **Uwaga!** – Temperatura uszczelniania może przekraczać maksymalnej dopuszczalnej temperatury dla izolacji kabla, gdyż mogłoby dojść do utraty izolacji w zetknięciu z ziemią.
06. Przewody elektryczne należy podłączyć do zacisków **Loop1 (rys. I)** i **Loop2 (rys. L)**. Istnieją 2 możliwości podłączenia przewodu do zacisku Loop2 (**rys. L**); w zależności od rodzaju zastosowanego podłączenia, zmienia się częstotliwość pracy pętli.  
**Uwaga!** - Jeżeli pętla Loop1 ustawiona jest w pobliżu pętli Loop2 i obie pracują na tej samej częstotliwości (lub podobnej), może dojść do zakłóceń. W takim przypadku należy zmienić podłączenie do zacisku Loop2.

TABELA 15

Funkcja	Wartości	Domyślne
Czułość pętli (loop) 1	10 – 100%	90%
Czułość pętli (loop) 2	10 – 100%	90%
Zasilanie pętli (loop)	on – off	on
Aktywowanie pętli (loop) 1	on – off	on
Aktywowanie pętli (loop) 2	on – off	on
Tryb działania pętli (loop) 1	możliwa do wybrania	Otwarcie
Tryb działania pętli (loop) 2	możliwa do wybrania	Otwarcie
Czas zajmowania pętli 1	2 – 20 = zawsze	20 = zawsze
Czas zajmowania pętli 2	2 – 20 = zawsze	20 = zawsze
Funkcja wyjścia 1, 2, 3: Aktywna out (1,2,3) dla pętli (loop) 1	możliwa do wybrania	off
Funkcja wyjścia 1, 2, 3: Aktywna out (1,2,3) dla pętli (loop) 2	możliwa do wybrania	off
Wzorcowanie [wykonywane także po uruchomieniu]	on – off	
Sposób aktywowania* pętli (loop) 1: Czas pętli (loop) 1	1 – 5 0 – 25 s	1 2s
Sposób aktywowania* pętli (loop) 2: Czas pętli (loop) 2	1 – 5 0 – 25 s	1 2s
Podgląd częstotliwości pętli 1	0 – 100000	-
Podgląd częstotliwości pętli 2	0 – 100000	-

TABELA 16

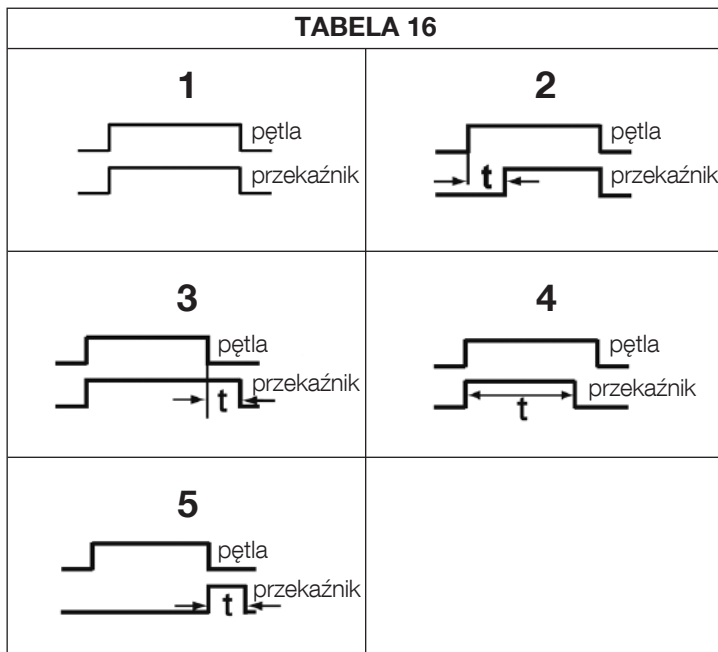
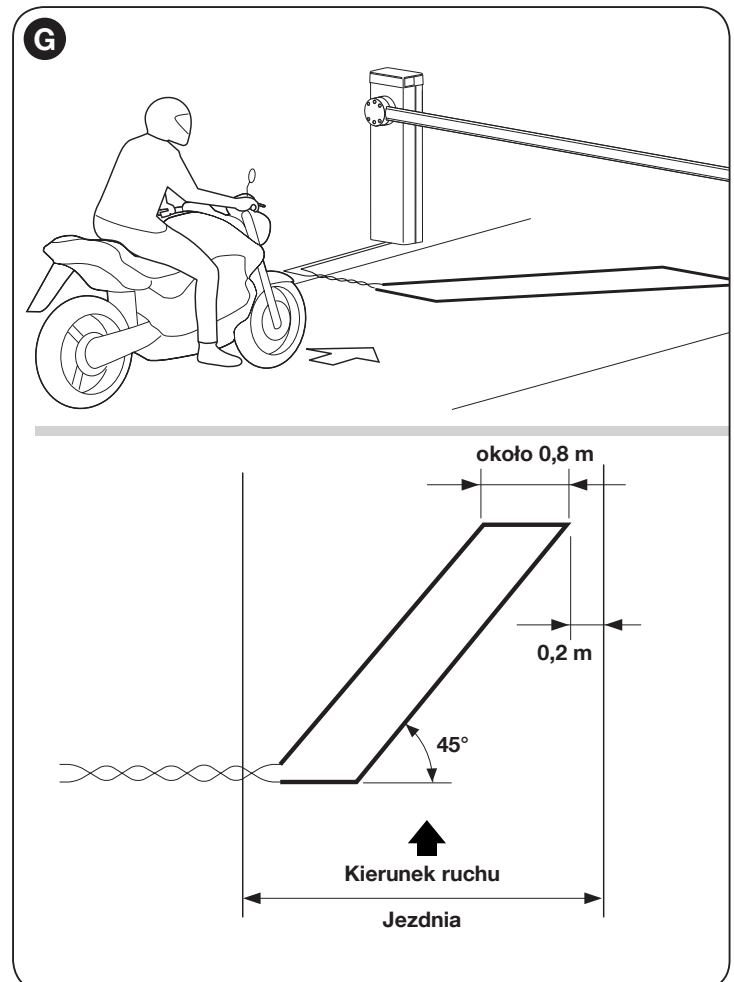
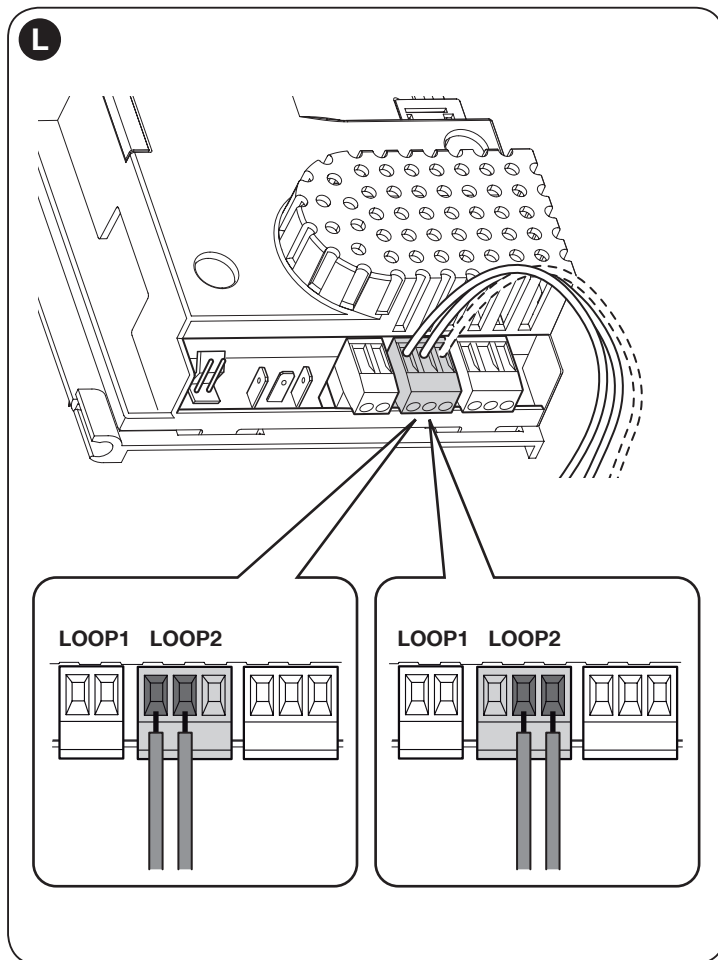
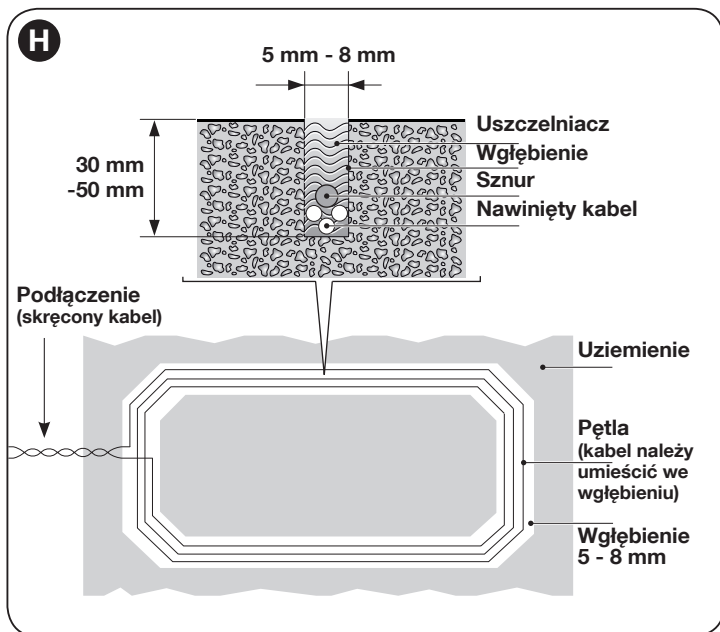
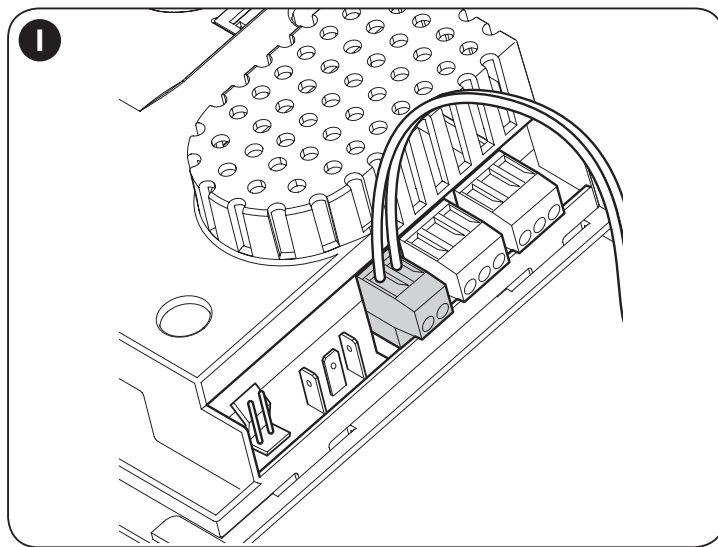
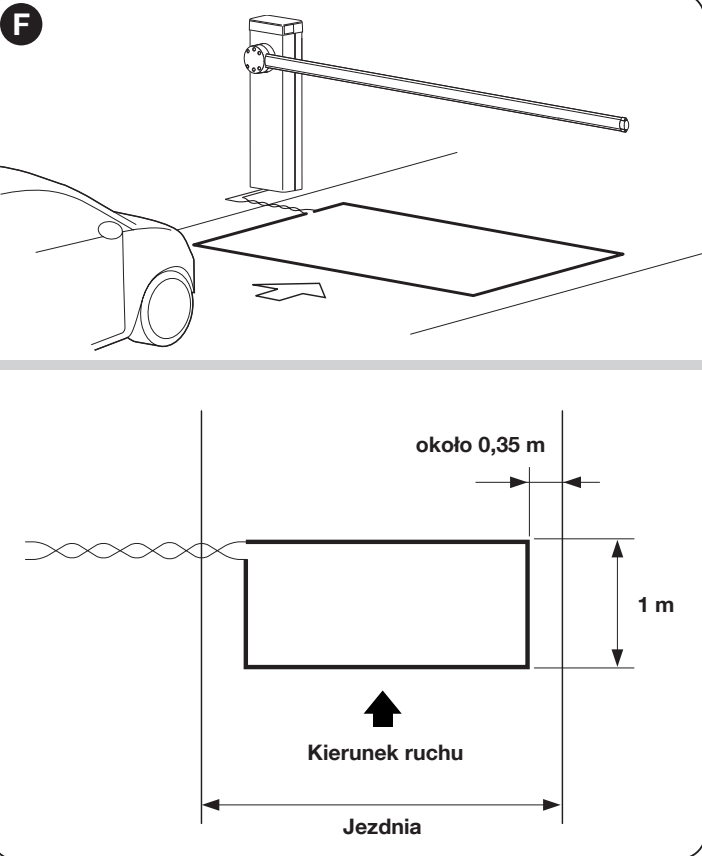


TABELA 17

Obwód pętli	Liczba skręceń, jakie należy wykonać
2 – 4 m	6
4 – 7 m	5
7 – 12 m	4
ponad 12 m	3

**Uwaga** – Jeżeli w miejscu, w którym instalowana jest pętla, pod podłożem znajduje się metalowe zbrojenie, induktywność pętli zmniejsza się. W takim przypadku należy dodać 2 skręty kabla





## 7.6 - Tryby Master - Slave

Ten tryb działania wykorzystywany jest w razie potrzeby zautomatyzowania dwóch przeciwnych szlabanów, gdy zamiarem jest synchronizacja ich ruchów. W trybie tym jedna barierka pracuje jako urządzenie Master (głównie), sterujące wykonywaniem manewrów, natomiast druga pracuje jako urządzenie Slave (podległe) i wykonuje polecenia wysyłane przez szlaban Master. Fabrycznie wszystkie szlabany ustawione są jako Master.

W celu skonfigurowania szlabanu jako Slave, należy uruchomić funkcję pierwszego poziomu „Tryb Slave” (patrz tabela 7).

Połączenie pomiędzy urządzeniem Master a Slave odbywa się za pomocą systemu BusT4 ze specjalnym łącznikiem Master/Slave.

**Uwaga! – Jeżeli stosowany jest programator Oview, należy zmienić parametr „Zespół” lub „Adres” jednej z dwóch barier. Ma to na celu zapobieżenie jednoczesnej łączności obu centrality z programatorem Oview.**

### 7.6.1 - Instalacja i podłączenia elektryczne

#### Ostrzeżenia

- Wszystkie urządzenia, w tym także odbiornik radiowy, należy podłączyć do szlabanu Master;
- Jeżeli wykorzystywany jest akumulator awaryjny, każdy szlaban powinien

posiadać osobną baterię;

- Możliwe jest wykonanie następujących podłączeń do szlabanu **Slave**:

- osobnej lampy ostrzegawczej (Flash)
- osobnej kontrolki otwartej bramy (S.C.A.)
- świateł ramienia
- osobnej listwy krawędziowej (Stop)
- osobnego sterownika (Krok po kroku), wydającego polecenia całkowitego otwarcia ramienia Slave.
- wejścia Open i Close nie są używane.
- wejść Loop1 i Loop2 zaprogramowanych w trybie „Otwieranie”
- odbiornika radiowego

Aby zainstalować 2 szlabany i zaprogramować je w trybie „Master - Slave”, należy wykonać poniższe czynności:

01. Zamontować 2 szlabany (**rys. M**).

Nie ma znaczenia który z dwóch szlabanów pracuje jako Master lub Slave. Należy ocenić wygodę wykonania podłączeń elektrycznych oraz wziąć pod uwagę fakt, że polecenie „Krok po kroku”, które wykonywać będzie szlaban Slave, umożliwi całkowite otwarcie **wyłącznie** ramienia Slave;

02. Połączyć ze sobą dwie centralne za pomocą łącznika Master/Slave (**rys. 54**), przestrzegając wskazanej biegunowości;
03. W tym momencie należy wykonać pozostałe podłączenia elektryczne (**rys.**

- 54), postępując się instrukcjami zawartymi w rozdziale 4 - Podłączenia elektryczne;
04. Kiedy podłączenia elektryczne są gotowe, załączyć zasilanie elektryczne w każdej centrali i wykonać dla każdej z nich procedurę opisaną w punkcie 4.2 - Pierwsze włączenie i kontrola połączeń.

**Uwaga! – Jeżeli stosowany jest programator Oview, na jednej z 2 centrali szlabanu należy zmienić parametr „Zespół” lub „Adres”. Ma to na celu zapobieżenie jednoczesnej łączności obu centrali z programatorem Oview.**

05. **Naszlabanie Slave** wykonać następujące programowanie:
- Rozpoznanie podłączonych urządzeń (patrz punkt 4.4)
  - Rozpoznanie pozycji otwarcia i zamknięcia (patrz punkt 4.5)
  - Wykonanie ewentualnych regulacji
  - Aktywacja parametru „Tryb Slave”, jak opisano w punkcie 6.1 - Programowanie pierwszego poziomu (ON-OFF).
- W tym momencie dioda L7 zaczyna migać sygnalizując błąd łączności Master-Slave”. Dzieje się tak, ponieważ nie zostało jeszcze wykonane sprzężenie barierki Master z barierką Slave.
- Ważne!** - Na przeciwnym szlabanie, przed wykonaniem „Rozpoznania pozycji otwarcia i zamknięcia”, **należy ustawić „Kierunek obrotów silnika”** (parametr L8 - Tabela 7, punkt 6.1);
- Ważne** – Należy pamiętać, iż podczas pracy wszelkie programowanie wykonane na szlabanie Slave jest ignorowane, gdyż jako priorytet trakto-

- wane jest programowanie szlabanu Master. Wyjątek stanowi programowanie przedstawione w Tabeli 18, wywierające efekt na szlabanie Slave.
06. **Naszlabanie Masternależy** wykonać następujące programowanie:
- Rozpoznanie podłączonych urządzeń (patrz punkt 4.4)
  - Rozpoznanie pozycji otwarcia i zamknięcia (patrz punkt 4.5)
  - Wykonanie ewentualnych regulacji
07. Na koniec **z centrali szlabanu Master** wysłać polecenie wykonania manewru i sprawdzić, czy jest on wykonywany także na szlabanie Slave.

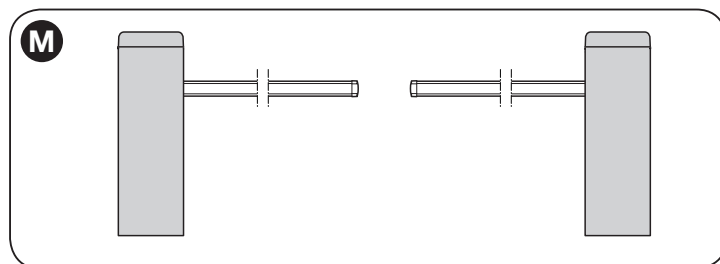


TABELA 18

Funkcje pierwszego poziomu (funkcje ON-OFF)	Funkcje drugiego poziomu (parametry regulowane)
Stand-by	Prędkość silnika
Moment statyczny	Wyjście FLASH
Tryb Slave	Wyjście diodowe
Krótkie/długie zwolnienie	Siła silnika
Kierunek obrotów silnika	Hamowanie

**Uwaga** – Aby możliwe było wykorzystanie funkcji „całkowity stand-by” na szlabanach z konfiguracją Master-Slave, należy wykonać podłączenie elektryczne przy użyciu łącznika BusT4, a **nie łącznika Master-Slave**.

## 8 CO ZROBIĆ, JEŚLI... (pomoc w rozwiązywaniu problemów)

Poniżej podane zostały ewentualne sytuacje nieprawidłowego działania urządzenia, mogące pojawić się podczas fazy instalacji lub w przypadku usterek, oraz możliwe środki zaradcze:

- **Nadajnik radiowy nie steruje szlabanem, a dioda na nim nie zapala się.** sprawdzić, czy baterie nadajnika nie są rozładowane i ewentualnie wymienić je.
- **Nadajnik radiowy nie steruje bramą, ale dioda na nim zapala się:** sprawdzić, czy nadajnik jest prawidłowo wczytany do odbiornika radiowego. Ponadto należy sprawdzić, czy sygnał radiowy emitowany jest prawidłowo przez nadajnik. W tym celu, należy wykonać następującą próbę: wcisnąć dowolny przycisk nadajnika i przyłożyć diodę nadajnika do anteny zwykłego włączonego odbiornika radiowego, zsynchronizowanego na pasmo FM o częstotliwości 108,5 MHz lub najbliższe; powinny być słyszalne skrzeczące odgłosy o słabym natężeniu.
- **Po wysłaniu polecenia nie jest wykonywany żaden manewr, a dioda OK nie miga:** sprawdzić, czy szlaban jest zasilany napięciem sieciowym 230 V. Ponadto sprawdzić, czy bezpieczniki F1 i F2 nie są przepalone; w takim przypadku sprawdzić przyczynę usterek i wymienić je na inne, o tych samych parametrach; patrz rys. 55.
- **Po wysłaniu polecenia nie jest wykonywany żaden manewr, a lampa ostrzegawcza nie świeci się:** sprawdzić, czy polecenie jest rzeczywiście odbierane. Jeżeli wysłane polecenie dociera do wejścia PP, dioda OK miga dwukrotnie sygnalizując, że polecenie zostało odebrane.
- **Manewr nie rozpoczyna się, a lampa ostrzegawcza miga kilkakrotnie:**

TABELA 19

### Diagnostyka za pomocą diod programowania

<b>L1 szybkie mignięcie:</b> błąd pamięci urządzeń
<b>L2 szybkie mignięcie:</b> błąd pamięci położeń granicznych
<b>L3 szybkie mignięcie:</b> błąd pamięci parametrów
<b>L4 szybkie mignięcie:</b> zwarcie lampy ostrzegawczej lub światelka nocnego
<b>L5 szybkie mignięcie:</b> błąd obliczeń w koderze
<b>L6 szybkie mignięcie:</b> błąd – odwrócone ograniczniki lub ogranicznik niezwolniony w ustawionym czasie
<b>L7 szybkie mignięcie:</b> błąd łączności Master-Slave
<b>L8 szybkie mignięcie:</b> błąd wersji

policzyć ilość mignięć i sprawdzić ich znaczenie w Tabeli 19.

- **Manewr jest wykonywany, ale zaraz po nim ramię zatrzymuje się i wykonuje krótką zmianę kierunku ruchu:** ustawiona wartość siły może być za mała, żeby umożliwić ruch ramienia. Sprawdzić, czy ramię zostało prawidłowo wyrównoważone; ewentualnie ustawić większą wartość siły. **Wartość czułości może być zbyt wysoka:** obniżyć wartość czułości. Jeżeli sytuacja taka ma miejsce podczas zwalniania, należy zmniejszyć intensywność hamowania.
- **Manewr wykonywany jest z małą prędkością:** manewr nie zostaje rozpoczęty z powodu jednego z wyłączników krańcowych lub centrala nie rozpoznała wyłącznika krańcowego. Skontrolować podłączenia elektryczne wyłącznika krańcowego.
- **Szlaban Slave nie wykonuje manewrów:** sprawdzić, czy na obu szlabanach wykonana została faza rozpoznania “ Master-Slave”.
- **Manewr wykonywany jest w przeciwnym kierunku:** sprawdzić, czy parametr „Kierunek obrotów silnika” (parametr L8 - Tabela 7, punkt 6.1) ustawiony jest prawidłowo, lub odwrócić przewody silnika.

## UTYLIZACJA PRODUKTU

**Niniejsze urządzenie jest integralną częścią automatyki, dlatego też powinno zostać zlikwidowane razem z nią.**

Zarówno operacje montażu jak również i demontażu po zakończeniu eksploatacji urządzenia powinny być wykonywane przez personel wykwalifikowany.

Urządzenie składa się z różnych rodzajów materiałów: niektóre z nich mogą być ponownie używane, inne nadają się do wyrzucenia. Należy zgromadzić niezbędne informacje dotyczące placówek zajmujących się recykulacją lub utylizacją materiałów, zgodnie z przepisami obowiązującymi dla danej kategorii urządzenia na Waszym terytorium.

**Uwaga!** - niektóre części urządzenia mogą zawierać substancje zanieczyszczające lub niebezpieczne, które, jeżeli zostaną rozrzucone w otoczeniu, mogą wywierać szkodliwy wpływ na środowisko i zdrowie ludzkie.

Jak wskazuje symbol zamieszczony obok zabrania się wyrzucania urządzenia razem z odpadami domowymi. Należy więc przeprowadzić “selektywną zbiórkę odpadów”, zgodnie z metodami przewidzianymi przez przepisy obowiązujące na Waszym terytorium lub oddać urządzenie do sprzedawcy podczas dokonywania zakupu nowego ekwiwalentnego urządzenia.

**Uwaga!** - lokalne przepisy mogą przewidywać wysokie kary za nielegalną likwidację niniejszego urządzenia.



## DANE TECHNICZNE URZĄDZENIA

**OSTRZEŻENIA:** • We wszystkich przedstawionych specyfikacjach technicznych uwzględniono temperaturę otoczenia 20°C (± 5°C). • Firma Nice S.p.A. zastrzega sobie prawo do wprowadzenia zmian do urządzenia w każdej chwili, kiedy uzna je za konieczne, zachowując te same funkcje i przeznaczenie.

Model	M3BAR	M5BAR	M7BAR	L9BAR
<b>Typ</b>	Szlaban drogowy do użytku prywatnego wraz z elektroniczną centralą sterującą			
<b>Szerokość przejazdu (m)</b>	2,32 ÷ 2,82	3,17 ÷ 4,82	5 ÷ 7	7 ÷ 9
<b>Maksymalny moment statyczny (Nm)</b>	100	200	300	400
<b>Moment znamionowy (Nm)</b>	30	70	90	130
<b>Czas wykonywania manewru (programowany w [s])</b>	1.5 – 3	3 – 6	6 – 10	8 – 12
<b>Maksymalna częstotliwość cykli roboczych przy momencie nominalnym</b> (centrala ogranicza maksymalnie ilość cykli przewidzianych w tabeli T3)	600 ciągłej pracy	350 ciągłej pracy	200	150
<b>Trwałość</b>	Patrz rozdział 3 - punkt 3.2.1			
<b>Napięcie zasilania</b>	230V 50/60Hz	230V 50/60Hz	230V 50/60Hz	230V 50/60Hz
<b>Napięcie zasilania /V1</b>	120V 50/60Hz	120V 50/60Hz	120V 50/60Hz	120V 50/60Hz
<b>Maksymalny pobór prądu w momencie statycznym (W)</b>	150	110	110	160
<b>Maksymalna moc w momencie nominalnym (W)</b>	40	50	40	50
<b>Klasa izolacji</b>	1	1	1	1
<b>Zasilanie awaryjne</b>	Tak (z urządzeniem dodatkowym PS224)			
<b>Zasilanie fotoelektryczne</b>	Tak (z urządzeniem dodatkowym SYKCE)			
<b>Wyjście FLASH</b>	dla 1 lampy ostrzegawczej LUCYB, MLB lub MLBT (12 V – 21 W)			
<b>Wyjście LIGHT</b>	dla urządzenia dodatkowego „światła ramienia” XBA4			
<b>Wyjście SCA</b>	dla kontrolki sygnalizacyjnej 24 V (maks. 10 W)			
<b>Wyjście dla lampy ostrzegawczej / semafora na pokrywie</b>	z dodatkowymi diodowymi lampami ostrzegawczymi XBA7 lub semaforem diodowym XBA8			
<b>Wyjście BlueBUS</b>	1 wyjście z maksymalnym obciążeniem 12 jednostek Bluebus			
<b>Wyjście “STOP”</b>	Dla styków normalnie zamkniętych, normalnie otwartych, o stałej oporności 8,2 kΩ lub typu optycznego OSE, z rozpoznaniem (każda zmiana w porównaniu do stanu zapamiętanego wywołuje polecenie „STOP”)			
<b>Wejście KROK – PO – KROKU</b>	Dla normalnie otwartych styków			
<b>Wejście OTWIERA</b>	Dla normalnie otwartych styków			
<b>Wejście ZAMYKA</b>	Dla normalnie otwartych styków			
<b>Złącze Radi</b>	Łącze SM dla odbiorników SMXI, SMXIS lub OXIT lub OXI			
<b>Wejście ANTENA Radio</b>	50 Ω dla kabla typu RG58 lub podobnych			
<b>Wejścia pętli detekcyjnej (Loop Detector)</b>	2 dla pętli od 2 do 16 m obwodu			
<b>Indukcyjność znamionowa pętli</b>	pomiędzy 100 a 400 μH			
<b>Funkcje programowalne</b>	8 funkcji typu ON-OFF i 8 parametrów regulowanych (patrz tabele 6 i 8) i dodatkowe programowanie za pomocą urządzenia do programowania i sterowania Oview			
<b>Funkcje rozpoznawania automatycznego</b>	Automatyczne rozpoznawanie urządzeń podłączonych do wyjścia BlueBus. Automatyczne rozpoznawanie typu urządzenia “STOP” (styk NO, NZ lub o stałej oporności 8,2 kΩ). Automatyczne rozpoznawanie pozycji otwarcia i zamknięcia ramienia oraz obliczanie punktów zwalniania i otwarcia częściowego. Rozpoznanie „Wersji”			
<b>Temperatura pracy</b>	-20°C ... +55°C	-20°C ... +55°C	-20°C ... +55°C	-20°C ... +55°C
<b>Stopień ochrony</b>	IP54	IP54	IP54	IP54
<b>Wymiary (mm)</b>	400 x 299 x 1215 h	400 x 299 x 1215 h	400 x 299 x 1215 h	500 x 299 x 1215 h
<b>Ciężar</b>	80 kg	80 kg	85 kg	98 kg



## ZAŁĄCZNIK I

Deklaracja zgodności, którą należy wykorzystywać, jeżeli produkt nie został zainstalowany zgodnie z kryteriami przedstawionymi w rozdziale 1.3.1.

### Deklaracja zgodności CE i deklaracja włączenia maszyny nieukończonej

**Deklaracja zgodna z dyrektywami:  
1999/5/WE (R&TTE); 2014/30/UE (EMC); 2006/42/WE (MD) załącznik II, część B**

*Uwaga - Treść niniejszej deklaracji jest zgodna z oficjalną deklaracją zdeponowaną w siedzibie Nice S.p.A., a w szczególności z najnowszą wersją dostępną przed wydrukowaniem niniejszego podręcznika. Niniejszy tekst został dostosowany pod kątem wydawniczym. Kopię oryginalnej deklaracji zgodności można otrzymać od firmy Nice S.p.A. (TV) Italy.*

Numer deklaracji: **405/M-LBAR**

Weryfikacja: **12**

Język: **PL**

**Nazwa producenta:** NICE S.p.A.

**Adres:** Via Pezza Alta N°13, 31046 Rustignè di Oderzo (TV) Italy

**Typ produktu:** Elektromechaniczny szlaban drogowy

**Model/Typ:** M3BAR, M5BAR, M7BAR, L9BAR, M3BARI, M5BARI, M7BARI, L9BARI

**Akcesoria:** XBA14, XBA15, XBA4, XBA6, XBA18, XBA9, XBA7, XBA8, PS224, OVIEW Unit

Ja, niżej podpisany, Roberto Griffa jako Chief Executive Officer deklaruje na własną odpowiedzialność, że wyżej wymieniony produkt jest zgodny z następującymi dyrektywami:

- Dyrektywa PARLAMENTU EUROPEJSKIEGO I RADY NR 1999/5/WE z dnia 9 marca 1999 r. w sprawie urządzeń radiowych i końcowych urządzeń telekomunikacyjnych oraz wzajemnego uznawania ich zgodności, zgodnie z następującymi normami zharmonizowanymi:
  - Ochrona zdrowia (art. 3(1)(a)): EN 62479:2010
  - Bezpieczeństwo elektryczne (art. 3(1)(a)): EN 60950-1:2006+A11:2009+A12:2011+A1:2010+A2:2013
  - Kompatybilność elektromagnetyczna (art. 3(1)(b)): EN 301 489-1 V1.9.2:2011, EN 301 489-3 V1.6.1:2013
  - Widmo radiowe (art. 3(2)(a)): EN 300 330-2 V1.6.1:2015

Zgodnie z dyrektywą 1999/5/WE (załącznik III), produktowi została przyznana klasa 1

- DYREKTYWA PARLAMENTU EUROPEJSKIEGO I RADY 2014/30/UE z 26 lutego 2014 r. w sprawie harmonizacji ustawodawstw państw członkowskich w zakresie zgodności elektromagnetycznej (wersja przekształcona), zgodnie z następującymi normami zharmonizowanymi: EN 61000-6-2:2005, EN 61000-6-3:2007+A1:2011
- DYREKTYWA PARLAMENTU EUROPEJSKIEGO I RADY NR 2014/35/UE z dnia 26 lutego 2014 roku w sprawie harmonizacji ustawodawstw państw członkowskich odnoszących się do udostępniania na rynku sprzętu elektrycznego przewidzianego do stosowania w określonych granicach napięcia (wersja przekształcona), zgodnie z następującymi normami zharmonizowanymi:  
EN 60335-1:2002 + A1:2004 + A11:2004 + A12:2006 + A2:2006 + A13:2008 + A14:2010 + A15:2011  
EN 60335-2-103:2003+A11:2009, EN 62233:2008

Ponadto produkt jest zgodny z następującą dyrektywą w zakresie wymagań dotyczących maszyn nieukończonych:

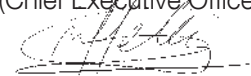
- DYREKTYWA PARLAMENTU EUROPEJSKIEGO I RADY NR 2006/42/WE z dnia 17 maja 2006 r. dotycząca maszyn, zmieniająca dyrektywę 95/16/WE (przekształcenie)
  - Niżej podpisany deklaruje, że stosowna dokumentacja techniczna została sporządzona zgodnie z załącznikiem VII B dyrektywy 2006/42/WE oraz, że spełnione zostały następujące wymagania podstawowe:  
1.1.1- 1.1.2- 1.1.3- 1.2.1-1.2.6- 1.5.1-1.5.2- 1.5.5- 1.5.6- 1.5.7- 1.5.8- 1.5.10- 1.5.11
  - Producent zobowiązuje się do przekazania władzom krajowym, w odpowiedzi na uzasadnione zapytanie, informacji dotyczących maszyny nieukończonej, zachowując całkowicie swoje prawa do własności intelektualnej.
  - Jeżeli maszyna nieukończona oddana zostanie do eksploatacji w kraju europejskim, którego język urzędowy jest inny niż język niniejszej deklaracji, importer ma obowiązek dołączyć do niniejszej deklaracji stosowne tłumaczenie.
  - Ostrzegamy, że maszyny nieukończonej nie należy uruchamiać do czasu, kiedy maszyna końcowa, do której zostanie włączona, nie uzyska deklaracji zgodności (jeżeli wymagana,) z założeniami dyrektywy 2006/42/WE.

Produkt jest zgodny z następującymi normami (w zakresie mających zastosowanie części):

EN 13241-1:2003+A1:2011, EN 12445:2000, EN 12453:2000, EN 12978:2003+A1:2009

Oderzo, 23 stycznia 2017

Inż. **Roberto Griffa**  
(Chief Executive Officer)





# Instrukcja obsługi

(należy ją przekazać użytkownikowi końcowemu)

Przed pierwszym użyciem automatyki należy zwrócić się do instalatora, aby wyjaśnić źródło ryzyka szcążkowego, a następnie poświęcić kilka minut na zapoznanie się z niniejszą instrukcją obsługi. Należy zachować instrukcję w celu wykorzystania jej w przyszłości oraz, w przypadku sprzedaży, należy przekazać ją nowemu użytkownikowi automatyki.

**UWAGA! – Automatyka jest urządzeniem, które dokładnie wykonuje zadane polecenia; nieodpowiedzialne i niewłaściwe użytkowanie może prowadzić do niebezpieczeństwa:**

- Nie wolno uruchamiać automatyki, jeżeli w jej zasięgu działania znajdują się ludzie, zwierzęta lub przedmioty.
- Nie wolno dotykać elementów automatyki, gdy ramię jest w ruchu!
- Przejazd jest dozwolony, tylko jeżeli ramię jest całkowicie uniesione i nieruchome!

## Ostrzeżenia

**1 - Dzieci:** automatyka gwarantuje wysoki stopień bezpieczeństwa. Zatrzymuje ruch, gdy jej system zabezpieczający wykryje obecność osób lub rzeczy, i gwarantuje uaktywnienie tego systemu w sposób bezpieczny i przewidywalny. Dla ostrożności zaleca się zakazanie dzieciom zabawy w pobliżu automatyki i niepozostawianie pilotów w ich zasięgu, aby uniknąć nieumyślnego uruchomienia. Automatyka nie jest zabawką!

**2 -** Urządzenie nie jest przeznaczone do użytku przez osoby (również dzieci), których możliwości fizyczne, zmysłowe lub umysłowe są ograniczone. Z urządzenia nie mogą również korzystać osoby bez doświadczenia i stosownej wiedzy, chyba że wykonują to pod opieką osoby odpowiedzialnej za ich bezpieczeństwo oraz nadzorującej i instruujejącej je w zakresie użytkowania urządzenia.

**3 - Usterki:** W przypadku stwierdzenia jakiegokolwiek niewłaściwego zachowania automatyki należy odłączyć od niej zasilanie elektryczne i odblokować ręcznie według procedury niżej opisanej. Nie wolno wykonywać żadnych napraw samodzielnie. Należy zwrócić się o pomoc do zaufanego instalatora. W międzyczasie instalacja może funkcjonować jako urządzenie nieautomatyczne, po odblokowaniu motoreduktora zgodnie z zaleceniami zamieszczonymi w dalszej części tej instrukcji. **W przypadku uszkodzenia lub braku zasilania:** w oczekiwaniu na interwencję instalatora lub ponowne podłączenie energii elektrycznej - jeżeli instalacja nie jest wyposażona w akumulatory awaryjne - automatyka może być nadal używana. Należy ręcznie odblokować motoreduktor (patrz krok 9 – Odblokowanie i zablokowanie motoreduktora w trybie ręcznym) i ręcznie przesunąć ramię do wybranego miejsca.

**4 - Sterowanie z niesprawnymi zabezpieczeniami:** jeżeli urządzenia zabezpieczające znajdujące się na szlabanie nie działają prawidłowo, jest mimo to możliwe sterowanie szlabanem:

- uruchomić szlaban (za pomocą nadajnika lub przełącznika kluczykowego itp.); jeżeli wszystko jest w porządku, ramię otworzy się lub zamknie normalnie, w przeciwnym wypadku lampa ostrzegawcza wykona kilka błysków, a manewr nie rozpocznie się (ilość błysków zależy od przyczyny, która powoduje, że manewr nie może być wykonany).
- W tym przypadku po upływie 3 sekund należy powtórnie wcisnąć i trzymać wciśnięty przycisk.
- po około 2 sekundach rozpocznie się ruch szlabanu w trybie „w obecności użytkownika”, czyli dopóki przycisk pozostanie wciśnięty, ramię będzie się przesunęło, GDY PRZYCISK ZOSTANIE ZWOLNIONY, RAMIĘ SIĘ ZATRZYMA.

**W przypadku uszkodzenia zabezpieczeń należy jak najszybciej naprawić automatykę.**

**5 -** Nie wolno modyfikować instalacji oraz parametrów programowania i regulacji automatyki, nawet jeżeli użytkownik uważa, że potrafi to zrobić: jest to zadanie instalatora.

**6 -** Testy, okresowe konserwacje i ewentualne naprawy urządzenia muszą być udokumentowane przez osobę, która je wykonuje, a dokumenty muszą być przechowywane przez właściciela instalacji. Jedynymi operacjami, które może wykonywać użytkownik i które zalecamy wykonywać okresowo, jest czyszczenie szybki fotokomórek i

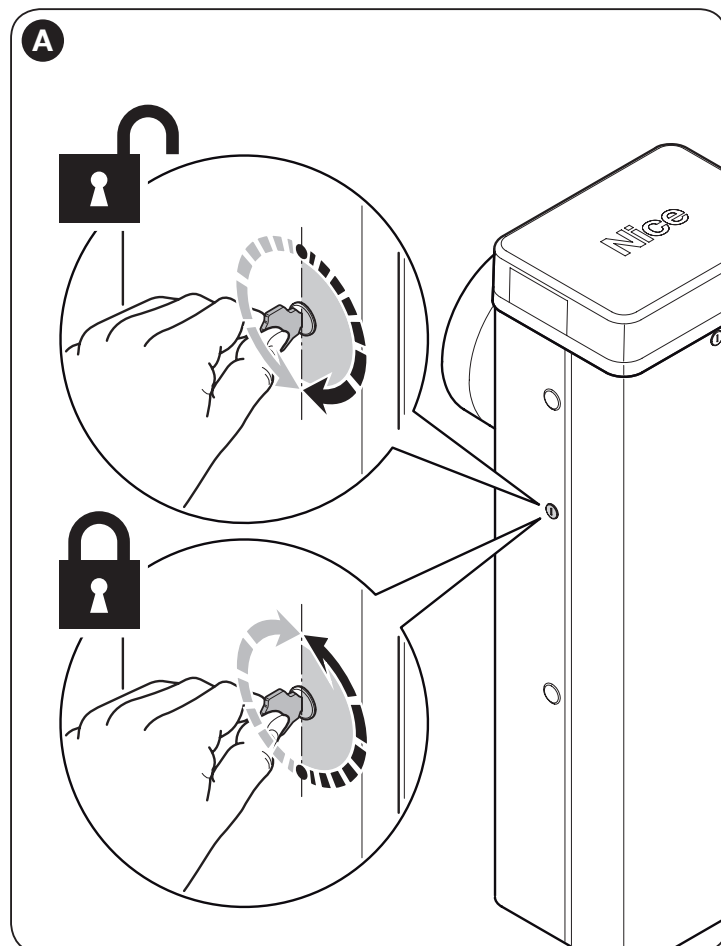
automatyki. Aby uniemożliwić nieoczekiwane uruchomienie szlabanu, przed rozpoczęciem prac należy odblokować automatykę (tak jak wcześniej to opisano). Do czyszczenia należy używać tylko ściereczki lekko zwilżonej wodą.

**7 - Utylizacja:** Po zakończeniu okresu eksploatacji automatyki utylizacja powinna zostać przeprowadzona przez wykwalifikowany personel, a materiały powinny zostać poddane recyklingowi lub utylizacji zgodnie z obowiązującymi przepisami.

**8 - Odblokowanie i zablokowanie motoreduktora w trybie ręcznym:** Motoreduktor jest wyposażony w mechaniczny system, który umożliwia otwieranie i zamykanie ramienia w trybie ręcznym. Te operacje należy wykonać w przypadku braku zasilania elektrycznego lub nieprawidłowego funkcjonowania szlabanu.

**WAŻNE! – Operacja odblokowania i zablokowania motoreduktora może być wykonywana, tylko jeżeli ramię jest nieruchome i znajduje się w pozycji poziomej.**

Aby zablokować i odblokować ręcznie szlaban, należy włożyć dostarczony klucz i przekręcić go o 180° (**rys. A**). Klucz można obracać w obie strony.





# Plan konserwacji

(należy go przekazać użytkownikowi końcowemu)

## DZIENNIK KONSERWACJI

**Ważne** – Dziennik konserwacji należy dostarczyć właścicielowi automatyki po odpowiednim wypełnieniu.

W dzienniku konserwacji należy wymienić wszystkie wykonane operacje konserwacji, naprawy i zmiany. Dziennik należy aktualizować po wykonaniu każdej operacji i musi być starannie przechowywany, aby był dostępny w przypadku ewentualnych inspekcji wykonywanych przez upoważnione instytucje.

Niniejszy „Dziennik konserwacji” dotyczy następującej automatyki:

mod. MBAR i L9BAR. - nr seryjny ..... - zainstalowano w dniu ..... - w .....

Częścią „Dziennika konserwacji” są następujące dokumenty załączone:

- 1) - Plan konserwacji
- 2) - .....
- 3) - .....
- 4) - .....
- 5) - .....
- 6) - .....

Zgodnie z załączonym „Planem Konserwacji” operacje konserwacji muszą być wykonywane w następujących odstępach czasowych: **co 6 miesięcy** lub **co 50 000 cykli manewrów**, w zależności od tego, co nastąpi wcześniej.

## PLAN KONSERWACJI

**Uwaga!** – Konserwacja instalacji musi być wykonywana przez wykwalifikowany personel techniczny, zgodnie z normami bezpieczeństwa przewidzianymi przez obowiązujące przepisy oraz z zaleceniami dotyczącymi bezpieczeństwa, zamieszczonymi w rozdziale 1 - „Instrukcje i ogólne zalecenia dotyczące bezpieczeństwa”, znajdującym się na początku niniejszej instrukcji obsługi.

Zwykle szlaban drogowy nie wymaga szczególnej konserwacji, jednakże regularnie przeprowadzana kontrola umożliwi utrzymywanie sprawnej instalacji i zagwarantowanie prawidłowego funkcjonowania zainstalowanych systemów zabezpieczających.

Podczas konserwacji urządzeń dotychczas do szlabanu drogowego należy przestrzegać zaleceń przewidzianych w odpowiednim planie konserwacji, przeznaczonym dla tych urządzeń.

Jako ogólną zasadę zaleca się wykonywanie okresowej kontroli z częstotliwością: co 6 miesięcy lub co 50 000 manewrów.

Należy zauważyć, że w przypadku uszkodzenia sprężyny szlaban drogowy będzie nadal zgodny z wymogami przewidzianymi w punkcie 4.3.4 normy EN 12604: 2000.

• System równoważący ramię musi być sprawdzany co najmniej 2 razy w roku, najlepiej w czasie zmiany pory roku.

Przy przewidzianej częstotliwości przeglądów należy podczas konserwacji wykonywać następujące kontrole i wymiany:

- 1 Odlączyć wszystkie źródła zasilania elektrycznego.
- 2 Sprawdzić i ocenić stan zużycia wszystkich podzespołów, które składają się na szlaban, ze szczególnym uwzględnieniem zjawiska korozji lub utlenienia elementów konstrukcyjnych; wymienić elementy, które nie zapewniają odpowiedniego bezpieczeństwa.
- 3 Sprawdzić, czy połączenia śrubowe są prawidłowo dokręcone (zwłaszcza połączenia sprężyny równoważącej)
- 4 Sprawdzić, czy nie ma luzu między dźwignią równoważącą a wałem wyjściowym. W razie potrzeby należy dokręcić do końca śrubę główną.
- 5 Nasmarować głowicę sferyczną sprężyny równoważącej oraz dolną śrubę fundamentową.
- 6 W wersji M7BAR i L9BAR należy sprawdzić, czy obydwa segmenty ramienia są idealnie zablokowane. W razie potrzeby należy dokręcić śruby rozporowe.
- 7 Ustawić ramię w położeniu pionowym i sprawdzić, czy odstęp między zwojami sprężyny równoważącej jest stały i bez odkształceń.
- 8 Odblokować i sprawdzić prawidłową równowagę ramienia oraz ewentualne przeszkody w trakcie ręcznego podnoszenia i opuszczania.
- 9 Zablokować i rozpocząć procedurę testowania.
- 10 **Kontrola zabezpieczenia przed podniesieniem:** w automatyce

o ruchu pionowym należy sprawdzić, czy nie występuje zagrożenie podniesienia. Test należy wykonać w następujący sposób: zawiesić w połowie długości ramienia ciężar o wadze 20 kg (na przykład worek żwiru), wydać polecenie otwarcia i sprawdzić, czy podczas tego manewru ramię nie przekroczy wysokości 50 cm od jego położenia poziomego. W przypadku, kiedy ramię przekroczy tę wysokość, należy zmniejszyć siłę napędu (patrz rozdział 6 - Tabela 7).

**11** Jeżeli zagrożenia powodowane ruchem ramienia zostały wyeliminowane poprzez ograniczenie siły uderzenia, należy dokonać pomiaru siły zgodnie z zaleceniami normy EN 12445 i ewentualnie, jeżeli sterowanie „siły napędu” jest używane jako pomoc dla systemu umożliwiająca zmniejszenie siły uderzenia, należy spróbować wykonać regulację, która umożliwi uzyskanie lepszych wyników.

**12 Kontrola sprawności systemu odblokowującego:** ustawić ramię w położeniu zamknięcia i ręcznie odblokować motoreduktor (patrz punkt 3.6), sprawdzając, czy odblokowanie nastąpi bez przeszkód. Sprawdzić, czy siła użyta do ręcznego podniesienia ramienia do pozycji otwarcia nie przekracza 200 N (około 20 kg); siła ta jest mierzona prostopadle w stosunku do ramienia w odległości 1 m od osi obrotu. Następnie sprawdzić, czy klucz niezbędny do ręcznego odblokowania jest dostępny w pobliżu automatyki.

**13 Kontrola systemu odłączania zasilania:** za pomocą urządzenia odłączającego należy wyłączyć zasilanie, odłączając ewentualne akumulatory awaryjne, i sprawdzić, czy wszystkie diody znajdujące się w centrali są zgaszone oraz czy po wydaniu polecenia ramię pozostaje nieruchome. Sprawdzić sprawność systemu odblokowującego, aby zapobiec ponownemu niezamierzonemu lub nieupoważnionemu podłączeniu.

PL

Data	<b>Opis wykonanych operacji</b> <small>Opis weryfikacji, regulacji, napraw, modyfikacji...</small>	<b>Podpis Technika</b>	<b>Podpis Właściciela</b>
	<input type="checkbox"/> Zostały wykonane wszystkie fazy przewidziane w planie konserwacji		



# Inhoudsopgave

<b>1 - ALGEMENE WAARSCHUWINGEN: VEILIGHEID - INSTALLATIE - GEBRUIK</b>	<b>1</b>
<b>2 - BESCHRIJVING VAN HET PRODUCT EN GEBRUIKSBESTEMMING</b>	<b>3</b>
<b>3 - INSTALLATIE</b>	<b>3</b>
3.1 - Controles voorafgaand aan de installatie	3
3.2 - Gebruikslimieten van het product	3
3.2.1 - Duur van het product	3
3.3 - Controles ter voorbereiding van de installatie	4
3.3.1 - Het schema voor de plaatsing van ieder onderdeel van de installatie bepalen	4
3.3.2 - Het traject van de verbindingkabels bepalen	4
3.3.3 - a) - Plaats de balansveer ter hoogte van het gewicht van de slagboom voorzien van alle accessoires. b) - Stel de sluitrichting van de slagboom in: links of rechts van de motor.	4
3.4 - Montage van de slagboombarrière	4
3.4.1 - Als er een bestaand installatie-oppervlak aanwezig is	4
3.4.2 - Als er geen bestaand installatie-oppervlak aanwezig is	4
3.5 - De slagboom en de voorziene accessoires installeren	5
3.5.1 - Assemblage van de steun voor de slagboom	5
3.5.2 - De slagboom bestaande uit een enkel stuk, heel of in delen, in elkaar zetten	5
3.5.3 - De slagboom bestaande uit twee stukken, heel of in delen, in elkaar zetten	6
3.5.4 - De accessoires van de slagboom installeren	6
3.6 - De slagboombarrière handmatig ontgrendelen en vergrendelen	6
3.6.1 - De slotcilinder verplaatsen voor handmatige ontgrendeling/vergrendeling	6
3.7 - De mechanische palen van de eindaanslagen afstellen	6
3.8 - Balanceren van de slagboom	6
3.8.1 - Balanceren van slagboom M3BAR / M5BAR / M7BAR	6
3.8.2 - Balanceren van slagboom L9BAR	6
<b>4 - ELEKTRISCHE AANSLUITINGEN</b>	<b>6</b>
4.1 - Beschrijving van de elektrische aansluitingen	6
4.2 - Eerste inschakeling en controle van de aansluitingen	7
4.3 - Vooraf ingestelde functies	7
4.4 - Zelftering van de met aangesloten inrichtingen	7
4.5 - Zelftering van de openings- en sluitposities	7
4.6 - Controle van de beweging van de slagboom	8
4.7 - Aansluiting van een radio-ontvanger	8
4.8 - Aansluiting slagboomlichten (optioneel accessoire)	8
4.9 - Aansluiting led-knipperlicht mod. XBA7 of led-stoplicht mod. XBA8 (optionele accessoires)	8
4.10 - Aansluiting van andere inrichtingen	8
4.10.1 - Programmeereenheid Oview	8
4.10.2 - Bufferbatterij mod. PS224 (accessoire)	8
4.10.3 - Systeem Solemyo (voeding via zonne-energie)	8
<b>5 - EINDTEST EN INBEDRIJFSTELLING</b>	<b>9</b>
5.1 - Eindtest	9
5.2 - Inbedrijfstelling	9
<b>6 - PROGRAMMERING VAN DE BESTURINGSEENHEID</b>	<b>10</b>
6.1 - Programmering eerste niveau (ON-OFF)	10
6.2 - Programmering tweede niveau (instelL9BARe parameters)	10
<b>7 - AANVULLENDE INFORMATIE</b>	<b>12</b>
7.1 - Volledig wissen van het geheugen van de besturingseenheid	12
7.2 - Overige functies	12
7.3 - Toevoegen of verwijderen van inrichtingen	13
7.3.1 - Ingang Bluebus	13
7.3.2 - Fotocellen	13
7.3.3 - Digitale codeschakelaar MOTB en proximity lezer voor transponder cards MOMB	13
7.3.4 - Ingang STOP	13
7.4 - Diagnostiek	14
7.4.1 - Signaleringen van de besturingseenheid	14
7.4.2 - Signaleringen van het knipperlicht	16
7.5 - Loop Detector	16
7.5.1 - Werking	16
7.5.2 - Installatie	16
7.6 - Modus Master - Slave	18
7.6.1 - Installatie en elektrische aansluitingen	18
<b>8 - WAT TE DOEN ALS... (leidraad bij het oplossen van de problemen)</b>	<b>19</b>
• Afdanken van het product	19
• Technische specificaties van het product	20
• Verklaring van overeenstemming: bijlage I (bijlage die uitgeknipt kan worden)	21
• Gebruikshandleiding (bijlage die uitgeknipt kan worden)	23
• Onderhoudsplan (bijlage die uitgeknipt kan worden)	25

<b>AFBEELDINGEN</b>	<b>I - XIX</b>
---------------------	----------------

De hierop volgende aanbevelingen zijn direct overgenomen uit de Normen en kunnen, voor zover mogelijk, worden toegepast op het beschreven product

## 1 ALGEMENE WAARSCHUWINGEN: VEILIGHEID - INSTALLATIE - GEBRUIK

### 1.1 - Waarschuwingen met betrekking tot veiligheid

**LET OP** Belangrijke aanwijzingen voor de veiligheid. Volg alle voorschriften op, want een niet-correct uitgevoerde installatie kan ernstige schade veroorzaken

**LET OP** Belangrijke aanwijzingen voor de veiligheid. Het is belangrijk dat deze instructies worden opgevolgd voor de veiligheid van personen. Bewaar deze instructies

- Voordat u begint met de installatie dient u de "Technische kenmerken van het product" te controleren, in het bijzonder of dit product geschikt is voor uw geleide onderdeel. Als het product niet geschikt is, mag u NIET overgaan tot de installatie
- Het product mag niet worden gebruikt voordat de inbedrijfstelling heeft plaatsgevonden zoals gespecificeerd in het hoofdstuk "Eindtest en inbedrijfstelling"

**LET OP** Volgens de meest recente Europese wetgeving moet het uitvoeren van een automatisering voldoen aan de geharmoniseerde normen van de geldende Machinerichtlijn, waarbij een verklaring van de conformiteit van de automatisering afgegeven kan worden. In verband hiermee moeten alle werkzaamheden voor de aansluiting op de elektrische voeding, de eindtest, de inbedrijfstelling en het onderhoud van het product uitsluitend worden uitgevoerd door een gekwalificeerd, deskundig monteur!

- Voordat u met de installatie van het product begint, dient u te controleren of al het te gebruiken materiaal in optimale staat en geschikt voor gebruik is
- Het product is niet geschikt om gebruikt te worden door personen (kinderen inbegrepen) met fysieke, zintuiglijke of mentale beperkingen of personen die onvoldoende kennis en/of ervaring hebben
- Kinderen mogen niet met het apparaat spelen
- Laat kinderen niet met de bedieningselementen van het product spelen. Houd de afstandsbedieningen buiten het bereik van kinderen

**LET OP** Om ieder risico op onvoorzien heropstarten van het thermische onderbrekingsmechanisme te vermijden, mag dit apparaat niet worden gevoed via een externe regelaar zoals een timer, noch worden aangesloten op een circuit dat regelmatig wordt in- of uitgeschakeld

- Op de netvoeding van de installatie moet een stroomonderbreker worden aangesloten (niet meegeleverd) met een openingsafstand van de contacten waarbij volledige uitschakeling mogelijk is bij de condities die gelden voor overspanningscategorie III
- Behandel het product tijdens de installatie met zorg en voorkom dat het wordt geplet, dat er tegen wordt gestoten, dat het valt of dat het in aanraking komt met welke vloeistoffen dan ook. Zet het product niet in de buurt van warmtebronnen en stel het niet bloot aan open vuur. Hierdoor kan het beschadigd worden, waardoor storingen of gevaarlijke situaties kunnen ontstaan. Als dit toch gebeurt, stop dan onmiddellijk met de installatie en neem contact op met de klantenservice
- De fabrikant is niet aansprakelijk voor materiële schade, zowel aan personen als aan voorwerpen, die voortvloeit uit de niet-naleving van de montage-instructies. In die gevallen vervalt de garantie op materiaalfouten
- Het geluidsdrumniveau van de gemeten emissie A bedraagt minder dan 70 dB(A)
- Reinigings- en onderhoudswerkzaamheden die door de gebruiker kunnen worden uitgevoerd, mogen niet worden toevertrouwd aan kinderen die niet onder toezicht staan
- Voordat u werkzaamheden aan de installatie uitvoert (onderhoud, reiniging), moet het product altijd worden losgekoppeld van de netvoeding
- Controleer de installatie regelmatig. Controleer met name de kabels, de veren en de steunen om eventuele verstoringen van de balanceren en tekenen van slijtage of beschadiging in een vroeg stadium op te merken. Gebruik het apparaat nooit als het gerepareerd of opnieuw afgesteld moet worden; een storing in de installatie of een niet-correcte balanceren van de automatisering kan tot letsel leiden
- Het verpakkingsmateriaal van het product moet volgens de plaatselijke voorschriften worden afgevoerd
- Houd personen uit de buurt van de automatisering wanneer deze wordt bewogen met behulp van de bedieningselementen
- Controleer de automatisering tijdens het uitvoeren van de manoeuvre en houd personen op enige afstand tot de beweging voltooid is
- Bedien het product niet als er personen in de buurt zijn die werkzaamheden op de automatisering uitvoeren; koppel de elektrische voeding los alvorens deze werkzaamheden te laten uitvoeren
- Als de voedingskabel beschadigd is, moet deze worden vervangen door de fabrikant of door de technische ondersteuningdienst, of in ieder geval door een monteur met een vergelijkbare kwalificatie om ieder risico uit te sluiten

### 1.2 - Waarschuwingen met betrekking tot de installatie

- Controleer voordat u de bewegingsmotor installeert of alle mechanische onderdelen in goede staat zijn, volgens de regels gebalanceerd zijn en of de automatisering correct kan worden gemanoeuvreerd
- Verzeker u ervan dat de bedieningselementen uit de buurt van de bewegende onderdelen worden gehouden, maar wel direct zicht op de poort geven. Tenzij u een schakelaar gebruikt, moeten de bedieningselementen op een hoogte van minimaal 1,5 m worden geïnstalleerd en mogen ze niet toegankelijk zijn

- Als de openingsbeweging bestuurd wordt door een brandwerend systeem, verzekert u er van dat eventuele ramen die groter zijn dan 200 mm gesloten worden door de bedieningselementen
- Voorkom en vermijd elke vorm van blokkering tussen de bewegende en vaste onderdelen tijdens de bewegingen
- Breng het etiket m.b.t. de handmatige bediening permanent aan in de buurt van het bedieningselement waarmee de handmatige beweging wordt uitgevoerd
- Verzekert u er na het installeren van de bewegingsmotor van dat het mechanisme, het beveiligingssysteem en alle bewegingen correct functioneren

### 1.3 - Bijzondere aanbevelingen ten aanzien van de Europese Richtlijnen die van toepassing zijn op het product

#### • Richtlijn "Bouwproducten":

Bijzondere waarschuwingen voor dit product in verband met de Verordening Bouwproducten 305/2011:

- De complete installatie van dit product, zoals beschreven in deze instructiehandleiding, en enkele soorten gebruik (bijvoorbeeld uitsluiting van het gebruik voor alleen voertuigen), kunnen ertoe leiden dat het product binnen het toepassingsgebied valt van de verordening 305/2011 en de bijbehorende geharmoniseerde norm EN 13241-1.

- In paragraaf 1.3.1 "Installatiecriteria en bijzondere waarschuwingen met betrekking tot de essentiële eisen" staan alle installatiecriteria om het product te laten voldoen aan de essentiële eisen van Verordening 305/2011 voldoet; degene die de installatie uitvoert moet controleren of, en ervoor zorgen dat, al deze criteria zorgvuldig in acht worden genomen.

- De conformiteit aan de essentiële eisen kan niet gegarandeerd worden als de wegbarrière met slagboom geïnstalleerd is en gebruikt wordt terwijl één of meerdere van deze criteria niet in acht zijn genomen. **Het is verboden om het product in deze situaties te gebruiken tot degene die de installatie uitvoert heeft gecontroleerd of aan de eisen van de richtlijn is voldaan.** In dit geval moet het etiket, dat is aangebracht op het product, direct worden verwijderd en mag de "EG-verklaring van overeenstemming" van bijlage I in deze handleiding niet worden gebruikt. Bijgevolg wordt degene die de installatie uitvoert op zijn beurt de fabrikant van het product "automatische barrière" en moet hij de bepalingen van Verordening 305/2011 en de bijbehorende geharmoniseerde norm EN 13241-1 in acht nemen. In dit geval moet de wegbarrière met slagboom als "niet-voltooid machine" worden beschouwd en kan de "Verklaring van overeenstemming" van bijlage II worden gebruikt (om in het technisch dossier te worden opgenomen).

#### • Machinerichtlijn:

- In paragraaf 1.3.1 "Installatiecriteria en bijzondere aanbevelingen met betrekking tot de essentiële eisen" staan alle noodzakelijke installatiecriteria om het product te laten voldoen aan de essentiële eisen van de Machinerichtlijn. Degene die de installatie uitvoert moet controleren of, en ervoor zorgen dat, al deze criteria zorgvuldig in acht zijn genomen.

- De conformiteit aan de essentiële eisen kan niet gegarandeerd worden als de wegbarrière met slagboom geïnstalleerd is en gebruikt wordt terwijl één of meerdere van deze criteria niet in acht zijn genomen. **Het is verboden om het product in deze situaties te gebruiken tot degene die de installatie uitvoert heeft gecontroleerd of aan de eisen van de richtlijn is voldaan.** In dit geval mag de "EG-verklaring van overeenstemming: bijlage I" niet worden gebruikt. Bijgevolg wordt degene die de installatie uitvoert op zijn beurt de fabrikant van het product "automatische barrière" en moet hij de bepalingen van de Machinerichtlijn in acht nemen. De fabrikant moet de risicoanalyse uitvoeren, die tevens de lijst met essentiële veiligheids-eisen van "bijlage I van de Machinerichtlijn" omvat, en de bijbehorende genomen maatregelen aangeven. Wij wijzen erop dat de risicoanalyse een van de documenten is waaruit het "technisch dossier" van de automatisering bestaat. Dit moet door een professionele installateur worden samengesteld, en de "Verklaring van overeenstemming" van bijlage II kan worden gebruikt en moet worden ingevuld door degene die

de installatie van de wegbarrière met slagboom uitvoert.

#### Bijzondere waarschuwingen betreffende de geschiktheid voor het gebruik van het product met betrekking tot de Machinerichtlijn; deze moeten in acht worden genomen indien de installateur de fabrikant van het product wordt.

De wegbarrière met slagboom wordt op de markt gebracht als "niet-voltooid machine" en dus gebouwd om te worden opgenomen in een machine of om te worden geassembleerd met andere machines teneinde "een machine" volgens de Machinerichtlijn te realiseren, alleen in combinatie met andere onderdelen en op de wijzen die beschreven zijn in deze instructiehandleiding. Zoals is voorzien in de Machinerichtlijn, wordt gewaarschuwd dat het niet geoorloofd is dit product in bedrijf te stellen zolang de fabrikant van de machine waarin dit product wordt ingebouwd, deze niet heeft geïdentificeerd en conform de Machinerichtlijn heeft verklaard.

#### • Laagspanningsrichtlijn:

Bijzondere waarschuwingen betreffende de geschiktheid voor het gebruik van het product met betrekking tot de Laagspanningsrichtlijn.

Dit product voldoet aan de eisen van de Laagspanningsrichtlijn als het wordt aangewend voor het gebruik en de configuraties beschreven in deze instructiehandleiding en in combinatie met de artikelen uit de productencatalogus van Nice S.p.A.

De conformiteit aan de eisen kan mogelijk niet gegarandeerd worden als het product wordt gebruikt in configuraties of met andere producten die niet zijn voorzien. Het is verboden om het product in deze situaties te gebruiken tot degene die de installatie uitvoert heeft gecontroleerd of aan de eisen van de richtlijn is voldaan.

#### • Richtlijn Elektromagnetische compatibiliteit (EMC):

Bijzondere waarschuwingen betreffende de geschiktheid van het gebruik van dit product met betrekking tot de richtlijn inzake elektromagnetische compatibiliteit. Dit product heeft tests ondergaan met betrekking tot de elektromagnetische compatibiliteit in de meest veeleisende gebruiksomstandigheden, in configuraties beschreven in deze instructiehandleiding en in combinatie met artikelen uit de productencatalogus van Nice S.p.A.

De elektromagnetische compatibiliteit kan niet gegarandeerd worden als het product wordt gebruikt in configuraties of met andere onvoorzien producten. Het is verboden om het product in deze situaties te gebruiken tot degene die de installatie uitvoert heeft gecontroleerd of aan de eisen van de richtlijn is voldaan.

#### 1.3.1 - Installatiecriteria en bijzondere waarschuwingen met betrekking tot de essentiële eisen

Dit product, mits correct geïnstalleerd, voldoet aan de essentiële eisen van de Europese richtlijn "Bouwproducten" 305/-2011/EG volgens de bepalingen van de geharmoniseerde norm EN 13241-1, zoals aangegeven in **Tabel 1** en de Europese Machinerichtlijn.

**Let op!** – Als de wegbarrière met slagboom bestemd is voor de doorgang van alleen voertuigen, wordt hij uitgesloten uit het toepassingsgebied van de norm EN 13241-1; in dit geval hoeft mogelijk niet aan enkele vereisten worden voldaan die staan vermeld in Tabel A. De doorgang wordt "uitsluitend voor voertuigen" beschouwd als hij uitdrukkelijk verboden is voor ander verkeer (zoals voetgangers), bijvoorbeeld met passende borden, en als er, indien er andere types vereist zijn, voldoende ruimte is in de onmiddellijke nabijheid.

#### • Vrijkomen van gevaarlijke stoffen:

Het product bevat geen gevaarlijke stoffen en/of geeft deze niet af, in overeenstemming met de bepalingen van de norm EN 13241-1 en volgens de lijst van stoffen op de website van de Europese Gemeenschap

**Bijzondere waarschuwing om het behoud van de conformiteit aan deze eis te garanderen** – Het is van essentieel belang dat ook de andere materialen die in de installatie worden gebruikt, zoals elektriciteitskabels, aan deze eis voldoen

#### • Weerstand tegen windbelasting

In **Tabel 1a** wordt de weerstand van de meegeleverde slagboom tegen de differentiaaldruk van de wind vermeld. De beproevingen zijn uitgevoerd met een

**TABEL 1 - Fundamentele vereisten voor de CE-markering (volgens het prospect ZA.1 van de norm EN 13241-1)**

Basiskennmerken	Punt van de norm	Resultaat
Waterbestendigheid	4.4.2	NPD*
Uitstoot van gevaarlijke stoffen	4.2.9	Conform
Weerstand tegen windbelasting	4.4.3	Conform
Thermische weerstand	4.4.5	NPD*
Luchtdoorlaatbaarheid	4.4.6	NPD*
Veilige opening voor deuren met verticale beweging	4.2.8	Conform
Definitie van de geometrie van de glazen componenten	4.2.5	NPD*
Mechanische weerstand en stabiliteit	4.2.3	Conform
Manoeuvreskrachten voor gemotoriseerde sluitingen	4.3.3	Conform
Duurzaamheid van de waterbestendigheid, de thermische weerstand en de luchtdoorlaatbaarheid	4.4.7	NPD*

\* NPD = Niet-verklaarde prestatie, wanneer het product deze prestatie niet biedt, bijvoorbeeld "Luchtdoorlaatbaarheid", of wanneer de vereiste niet van toepassing is, bijvoorbeeld "Definitie van de geometrie van de glazen componenten".

**TABEL 1a**

Slagboom:	M3BAR	M5BAR	M7BAR	L9BAR
Klasse	4	4	2	2*
Winddruk [Pa]	≥ 1000	≥ 1000	≥ 450	≥ 450
Maximale windsnelheid [Km/h]	155	155	104	104
Beschreven term	Orkaan	Orkaan	Zware storm / Storm	Zware storm / Storm

\* Klasse 2 is bereikt met behulp van de accessoire mod. WA11



slagboom met rubberprofiel, andere accessoires zouden het blootgestelde oppervlak kunnen verhogen en dus de weerstand tegen windbelasting kunnen verlagen.

**• Veilig opening voor verticaal bewegende poorten**

Het product veroorzaakt geen ongecontroleerde bewegingen of vallen van de slagboom als één onderdeel van het ophang- of balanceersysteem (veren) defect raakt.

**Bijzondere waarschuwingen om het behoud van de conformiteit aan de eisen te garanderen:**

- Voer de installatie uit met zorgvuldige inachtneming van alle aanwijzingen die staan beschreven in de hoofdstukken 3 - Installatie en 5 - Eindtest en inbedrijfstelling.

- Verzeker dat er een onderhoudsplan wordt opgesteld dat nauwgezet de aanwijzingen van het hoofdstuk "Onderhoudsplan" (uitscheurbare bijlage achterin de handleiding) volgt.

**• Mechanische weerstand en stabiliteit**

Het product is zo ontworpen en geconstrueerd dat bij normaal gebruik de uitgeoefende krachten, stoten en veroorzaakte slijtage de mechanische prestaties ervan schaden noch aantasten.

**Aanbeveling:** zie de aanwijzingen voor de vereiste "Veilige opening voor verticaal bewegende poorten".

**• Aandrijfkraften voor gemotoriseerde sluitingen**

De uitgeoefende werkingskrachten van de slagboom voor wat betreft de risico's voor beknelling en stoten worden beschermd middels een van deze drie methoden:

**1 Voor de werking met "bediening zonder automatische vergrendeling" (persoon aanwezig):** zoals gespecificeerd in EN 12453. In dit geval moet de bedieningsknop in het zicht van de automatisering worden geplaatst en, indien hij toegankelijk is voor onbevoegden, moet hij beveiligd zijn, bijvoorbeeld door een sleutelschakelaar.

**2 Voor de "semiautomatische" werking:** door de begrenzing van de krachten zoals aangegeven in EN 12453

**3 Voor de "automatische" werking:** door de begrenzing van de krachten zoals aangegeven in EN 12453; in dit geval moet er verplicht minstens een paar fotocellen worden geïnstalleerd, zoals aangegeven in afb. 1.

**Bijzondere waarschuwing om inachtneming van de vereiste te waarborgen:** zie de aanwijzingen voor de vereiste "Veilige opening voor verticaal bewegende poorten".

XBA8 - Led-stoplicht dat aan de binnenzijde van de deksel

kan worden ingebouwd

XBA9 - Universeel verbindingssstuk

XBA10 - Zwenkaansluiting

XBA11 - As voor slagboom

WA14 - Instelbaar steunpunt voor slagbomen (verplicht voor L9BAR)

WA12 - Mobiel steunpunt

WA13 - Rek, L. 2000 mm

XBA13 - Stootrubberkit

XBA14 - Slagboom van wit geverfd aluminium, L. 4150 mm

XBA15 - Slagboom van wit geverfd aluminium, L. 3150 mm

XBA16 - Funderingsplaat MBAR

XBA17 - Funderingsplaat L9BAR

XBA18 - Slagboomlichten L9BAR

**3 INSTALLATIE**

**3.1 - Controles voorafgaand aan de installatie**

Voor dat u gaat installeren dient u te controleren of de onderdelen van het product intact zijn, het gekozen model adequaat is en de of de plaats van installatie geschikt is:

- Vergewis u ervan dat al het te gebruiken materiaal in optimale staat is en geschikt is voor het voorziene gebruik.
- Controleer of het mogelijk is alle gebruikslimieten van het product in acht te nemen (zie paragraaf 3.2).
- Controleer of de voor de installatie gekozen ruimte compatibel is met de totaalafmetingen van het product (afb. 2).
- Controleer of het voor de installatie van de barrière gekozen oppervlakte stevig is en een stabiele bevestiging kan verzekeren.
- Controleer of er op de plaats van bevestiging geen kans op wateroverlast bestaat; eventueel dient u de barrière verhoogd van de grond te plaatsen.
- Controleer of er genoeg ruimte rond de barrière is om de handmatige manoeuvres gemakkelijk en veilig uit te kunnen voeren.
- Controleer of er zich langs het bewegingstraject van de slagboom geen obstakels bevinden die de openings- en sluitmanoeuvres kunnen belemmeren.
- Controleer of elk van de te installeren inrichtingen wordt opgesteld op een beschutte plek, beschermd tegen stoten.

**3.2. - Gebruikslimieten van het product**

Controleer, alvorens tot installatie van het product over te gaan, of alle in het hoofdstuk "Technische gegevens van het product" vermelde waarden compatibel zijn met het voorziene gebruik.

- Controleer of de geschatte duur (zie paragraaf 3.2.1) compatibel is met het voorziene gebruik.
- Controleer of het mogelijk is alle in deze handleiding vermelde beperkingen, condities en aanbevelingen in acht te nemen.

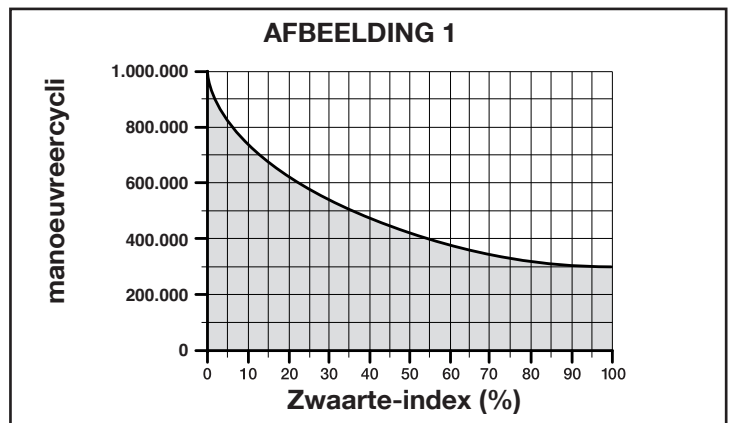
**3.2.1 - Duur van het product**

De levensduur is de gemiddelde gebruiksduur van het product. De waarde van levensduur wordt sterk beïnvloed door de belastingsindex van de manoeuvres: d.w.z. de som van alle factoren die bijdragen aan de slijtage van het product, zie **tabel 2**.

Als u een schatting wilt maken van de levensduur van uw automatische gaat u als volgt te werk:

- 01.** Tel alle waarden van de items in **tabel 2** met betrekking tot de voor de installatie geldende condities bij elkaar op;
- 02.** In **afbeelding 1** voor de berekende waarde trekt u een verticale lijn tot deze de kromme snijdt; vanaf dit punt trekt u een horizontale lijn tot deze de lijn van de "manoeuvrecycli" snijdt. De op deze wijze bepaalde waarde staat voor de **geschatte levensduur** van uw product.

De in de afbeelding aangegeven levensduurwaarden kunnen alleen worden verkregen als het onderhoudsplan strikt wordt aangehouden, zie het hoofdstuk "Onderhoudsplan". De levensduurschatting wordt uitgevoerd op basis van projectberekeningen en testresultaten die voor prototypen zijn verkregen. Aangezien het een schatting betreft, biedt deze waarde geen enkele expliciete garantie met betrekking tot de feitelijke gebruiksduur van het product.



**Voorbeeld van berekening van de levensduur van de wegbarrière (zie tabel 2 en afbeelding 1):** M5BAR met mobiel steunpunt (zwaarte-index van 10%) - Snelheid niveau 3 (zwaarte-index van 10%) - Rem (zwaarte-index van 10%): **totale zwaarte-index = 30%**  
**De geschatte duur bedraagt ongeveer 550.000 manoeuvrecycli.**

**2 BESCHRIJVING VAN HET PRODUCT EN GEBRUIKSBESTEMMING**

MBAR en L9BAR zijn elektronische wegbarrières met slagboom voor gebruik in woon- en industriële omgevingen; controleren de opening en sluiting van een voertuigdoorgang met een breedte van maximaal 3 tot 8 meter.

		GESCHIKTE ACCESSOIRES				
		Slagboom	Rubber	Lichten	Rek	Mobiel steunpunt
KAST	M3BAR	3 m	ja	ja	—	—
	M5BAR	4 m	ja	ja	ja (1 stuk)	ja
		5 m	ja	ja	—	—
	M7BAR	5 m	ja	ja	ja (2 stuk)	ja
		3+3 m	ja	ja	ja (2 stuk)	ja
		3+4 m	ja	ja	—	—
	L9BAR	3+4 m	ja	ja	ja (3 stuk)	ja
		4+4 m	ja	ja	ja (3 stuk)	ja
		4+5 m	ja	ja	—	—

**LET OP! – Elk ander gebruik dan in deze handleiding is beschreven of dat plaatsvindt in andere omgevingscondities dan in deze handleiding worden beschreven, moet als oneigenlijk en verboden worden beschouwd!**

Deze barrières zijn uitgerust met een elektronische reductiemotor met een 24V-motor, met ingebouwde Loop Detector voor 2 magnetische detectielussen, met een elektronisch eindaanslagsysteem en met knipperend signaleringslicht dat in de deksel kan worden ingebouwd (optionele accessoire). Deze twee modellen kunnen als tegenover elkaar gelegen barrières worden geïnstalleerd in de modus "Master-Slave" ter dekking van het oppervlak van een voertuigdoorgang met een breedte van meer dan 8 meter (zie paragraaf 7.5).

De besturingseenheid biedt de mogelijkheid tot aansluiting op inrichtingen van het systeem Opera van Nice en op het systeem voor voeding via zonne-energie "Solemyo" (zie paragraaf 4.10.3).

De barrières werken op elektrische stroom en in het geval de stroom uitvalt door een elektrische storing is het mogelijk de slagboom handmatig te ontgrendelen en te verplaatsen. Als alternatief is het mogelijk gebruik te maken van de bufferbatterij model PS224 (optioneel accessoire - zie paragraaf 4.10.2), die ervoor garandeert dat de automatisering in de eerste uren van een stroomuitval nog een aantal manoeuvres kan uitvoeren. Om deze periode of het aantal manoeuvres te vergroten, is het goed om de functie Stand by te activeren (zie tabel 6).

Belangrijke opmerkingen met betrekking tot raadpleging van de handleiding

- In deze handleiding wordt met de term "wegbarrière" verwezen naar de twee producten "MBAR" en "L9BAR".

- De in de handleiding genoemde accessoires zijn optioneel.

**Overzicht beschikbare accessoires:**

XBA4 - Slagboomlichten M3BAR en M5BAR

XBA5 - Slagboom van wit geverfd aluminium, L. 5150 mm

XBA6 - Slagboomlichten M7BAR

XBA7 - Led-knipperlicht dat aan de binnenzijde van de deksel kan worden ingebouwd

TABEL 2	Belastingindex			
	M3BAR	M5BAR	M7BAR	L9BAR
As voor slagboom (XBA11)	20	15	—	—
Snelheid niveau 3	15	10	15	15
Snelheid niveau 2	0	0	10	10
Onderbreking manoeuvre door Foto > 10%	15	10	15	15
Onderbreking manoeuvre door Alt > 10%	10	10	15	15
Mobiel steunpunt (WA12)	—	10	10	10
Rem	10	10	10	10
Kracht van 7 of 8	10	10	10	10
Kracht van 5 of 6	5	5	5	5
Aanwezigheid zilte lucht	10	10	10	10
Aanwezigheid stof of zand	5	5	5	5
Rek	—	5	5	5
Omgevingstemperatuur hoger dan 40° of lager dan 0° C	5	5	5	5

TABEL 3 - Technische gegevens van de elektriciteitskabels (afb.1)

Aansluiting	Type kabel	Maximaal toegestane lengte
A: Netvoedingskabel	3 x 1,5 mm <sup>2</sup>	30 m (opmerking 1)
B: BlueBus-kabel	2 x 0,5 mm <sup>2</sup>	20 m (opmerking 2)
C: sleutelschakelaar	2 cavi 2 x 0,25 mm <sup>2</sup> (opmerking 3)	30 m
Kabel Open-ingang	2 x 0,25 mm <sup>2</sup>	30 m
Kabel Sluit-ingang	2 x 0,25 mm <sup>2</sup>	30 m
Kabel knipperlicht (opmerking 4) met antenne	2 x 0,5 mm <sup>2</sup>	30 m
Kabel verklikker slagboom open (opmerking 4)	Afgeschermd type RG58	15 m (aanbevolen lengte minder dan 5 m)
Slagboomlichten (opmerking 4)	2 x 0,5 mm <sup>2</sup>	30 m
Kabel Loop Detector	—	—
Kabel Master/Slave	1 x 1,5 mm <sup>2</sup> gedraaid (opmerking 5)	20 m gedraaid (opmerking 5)
	3 x 0,5 mm <sup>2</sup>	20 m

LET OP! – De gebruikte kabels moeten geschikt zijn voor het type omgeving waarin de installatie plaatsvindt.

**Opmerking 1** – Als de voedingskabel langer dan 30 m is, dient een kabel met grotere doorsnede te worden gebruikt (3x2,5 mm<sup>2</sup>) en is het noodzakelijk in de nabijheid van de automatisering een veiligheidsaarding te installeren.

**Opmerking 2** – Als de BlueBus-kabel langer dan 20 m is (maximaal 40 m), moet er een kabel met grotere diameter worden gebruikt (2x1 mm<sup>2</sup>).

**Opmerking 3** – Deze 2 kabels kunnen worden vervangen door 1 enkele kabel van 4x0,5 mm<sup>2</sup>.

**Opmerking 4** – Controleer voordat de aansluiting tot stand wordt gebracht of de uitgang geprogrammeerd is voor het aan te sluiten apparaat (zie paragraaf 6.2 - tabel 3).

**Opmerking 5** – Draai de twee uiteinden die uit de spiraal steken ten minste 20 keer per meter.

### 3.3 - Controles ter voorbereiding van de installatie

#### 3.3.1 - Het schema voor de plaatsing van ieder onderdeel van de installatie bepalen

Bepaal min of meer de stand waarin ieder component van de installatie geïnstalleerd zal worden, raadpleeg het standaard schema van **afb. 1**. Het schema toont de componenten die in de verpakking aanwezig zijn (**afb. 3**): **[a]** slagboomopener met ingebouwde regeleenheid; **[b]** steun en afdekking slagboom; **[c]** 2 dozen voor fotocellen; **[d]** aluminium koppeling lengte 300 mm.; **[e]** vaste dop slagboom; 2 bevestigingselementen rubberen stootblokken; 2 bevestigingselementen zonder rubberen stootblokken; **[f]** sleutel voor de handbediende vergrendeling en ontgrendeling van de slagboom; metalen schroeven, ringen, enz.; **[g]** bodemplaat; **[h]** 4 bevestigingsbeugels; **[i]** aluminium koppeling lengte 700 mm..

#### 3.3.2 - Het traject van de verbindingskabels bepalen

**LET OP!** - Breng het uiteinde van de kabelbuizen aan in de buurt van de punten waar de verschillende systemen zullen worden bevestigd. **Opmerking:** De buizen beschermen de elektriciteitskabels tegen accidentele breuk door, bijvoorbeeld, storen. Voor het prepareren van de kabels die nodig zijn voor uw installatie, raadpleegt u **afb. 1** en "Tabel 3 - Technische gegevens van de elektriciteitskabels".

#### 3.3.3 - a) - Plaats de balansveer ter hoogte van het gewicht van de slagboom voorzien van alle accessoires. b) - Stel de sluitrichting van de slagboom in: links of rechts van de motor.

De slagboomopener wordt in de fabriek als volgt ingesteld:

– balansveer verankerd in de **niet-definitieve openingen**.

– sluitbeweging **slagboom naar links**.

Deze instellingen zijn willekeurig. Verricht daarom de volgende controles om te bepalen of u ze al dan niet moet wijzigen (stel vast of de veer in andere gaatjes op de balanshendel en de voetplaat van de slagboomopener moet worden bevestigd).

• Als u een enkel accessoire monteert, zoek in het hokje "A" van **Tabel 4** het model van uw slagboomopener, de voorziene lengte en het accessoire dat u erop wilt monteren. Lees vervolgens in de tabel het letter en het nummer van de gaatjes voor de verankering van de veer.

• Als u echter verschillende accessoires wilt installeren, zoek in het hokje "B" van de **Tabel 4** het model van de slagboomopener, de voorziene lengte en het soort en aantal accessoires dat u erop wenst te monteren. Tel vervolgens de nummers op die u tussen de haakjes van de verschillende accessoires treft. Gebruik uitsluitend het resultaat van de optelsom om onderaan in het hokje "B" de letter en het nummer van de hokjes voor de bevestiging van de veer vast te stellen.

• Als de slagboom rechts van de motor moet sluiten, moet u de haak van de veer naar een van de gaatjes op de andere arm van de balanshendel verplaatsen.

Pas de volgende procedure toe om de veer naar andere gaatjes te verplaatsen:

- Demonteer de bovenste bekleding van de slagboomopener (**afb. 4**).
- Draai de 2 bevestigingsschroeven van de deur van de kast los (**afb. 5**).
- (M3BAR - M5BAR - M7BAR) Draai de moer rechtsonder, zie **afb. 6** (stap a); draai vervolgens de veer met de hand rechtsonder om de spanning ervan te verwijderen (**afb. 6** - stap b).  
– (L9BAR) Draai de moer rechtsonder, zie **afb. 7** (stap a) om de spanning van de veer te verwijderen.
- Draai de moer los waarmee de veer aan de balanshendel is bevestigd (M3BAR - M5BAR - M7BAR): **afb. 6** - stap c; L9BAR: **afb. 7** - stap b).
- (M3BAR - M5BAR) Haak aan de voet van de slagboomopener de beugel die de veer aan de geperforeerde plaat bevestigt los (**afb. 6** - stap d).  
– (M3BAR - M5BAR) Haak de beugel die de veer aan de geperforeerde plaat bevestigt aan de voet van de slagboomopener los (**afb. 7** - stap d).
- Als u wilt dat de sluitbeweging van de slagboom rechts van de slagboomopener wordt verricht, ontgrendel de reductiemotor (**afb. 8** - zie tevens paragraaf 3.6) en laat de balanshendel 90° draaien (**afb. 9**).
- Zoek in de **Tabel 4** de nieuwe gaatjes voor de bevestiging van de veer.
- (M3BAR - M5BAR) Haak de beugel van de veer aan de geperforeerde plaat (**afb. 10** - stap a); bevestig vervolgens het oogje van de veer aan de balanshendel en draai de moer (**afb. 10** - stap b) helemaal aan.  
– (M7BAR - L9BAR) Bevestig het bovenste oogje van de veer aan de balanshendel en draai de moer (**afb. 11** - stap a) helemaal aan; bevestig het onderste oogje van de veer aan de geperforeerde plaat onderaan de slagboomopener en draai de moer (**afb. 11** - stap b) helemaal aan.
- Vergrendel de reductiemotor als u deze in stap 6 heeft ontgrendeld (**afb. 12**), zie paragraaf 3.6.

### 3.4 - Montage van de slagboombarrière

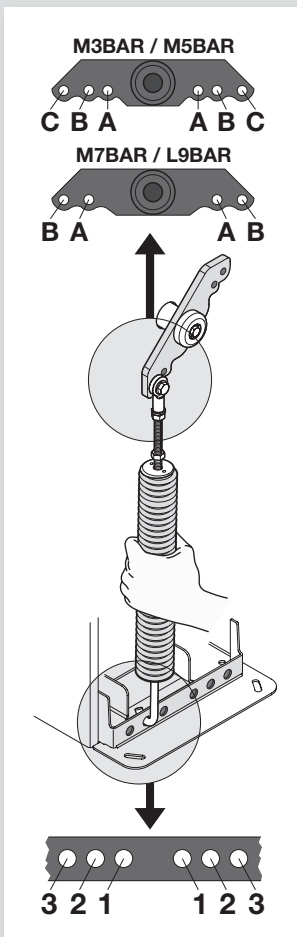
#### 3.4.1 - Als er een bestaand installatie-oppervlak aanwezig is

- Open de kast van de slagboombarrière (**afb. 13**);
- Plaats de slagboombarrière op het installatie-oppervlak en teken de punten af waar de sleuven zullen worden bevestigd (**afb. 14**);
- Verplaats de slagboombarrière en boor gaten op de afgetekende punten; installeer vervolgens 4 expansieverankeringen, deze worden niet bijgeleverd (**afb. 15**);
- Plaats de slagboombarrière in de juiste positie en zet deze vast met de hiervoor bestemde moeren en ringen, deze worden niet bijgeleverd (**afb. 16**).

#### 3.4.2 - Als er geen bestaand installatie-oppervlak aanwezig is

- Graaf een gat (\*) voor de funderingsplaat;
- Leg de goten voor het doorvoeren van de elektriciteitskabels (**afb. 17**);
- Bevestig de 4 ankers op de funderingsplaat en plaats op elk ervan een moer aan de bovenkant en een moer aan de onderkant van de plaat (**afb.**

TABEL 4



A	M3BAR		M5BAR			M7BAR	L9BAR
	2,65 m XBA15 (3,15 m) - 0,50 m	3,15 m XBA15 (3,15 m)	3,50 m XBA14 (4,15 m) - 0,65 m	4,15 m XBA14 (4,15 m)	5,15 m XBA5 (5,15 m)	7,33 m XBA15 + XBA14	9,33 m XBA14 + XBA5
XBA13	A 1	A 3	B 2	B 3	C 2	B 2	B 1
XBA13	A 1	A 3	B 2	B 3	C 2	B 2	B 1
XBA11	B 3	B 3	C 1	C 3			

B	M5BAR		M7BAR		L9BAR		
	3,50 m XBA14 (4,15 m) - 0,65 m	4,15 m XBA14 (4,15 m)	5,15 m XBA5 (5,15 m)	5,00 m XBA15+XBA15 (6,30 m) - 1,30 m	6,33 m XBA15 + XBA15	7,33 m XBA15 + XBA14	8,33 m XBA14 + XBA14
XBA13	(0)	(0)	(0)	(0)	(0)	(0)	(0)
XBA13	(1)	(1)	(1)	(1)	(1)	(1)	(1)
WA13	(1)	(1)	(2)	(1)	(1)	(2)	(2)
WA12	(5)	(4)	(4)	(3)	(3)	(3)	(3)

1) - Tel de getallen tussen haakjes in de kolom bij elkaar op (gebruik alleen de getallen voor de geïnstalleerde accessoires).

2) - Gebruik de uitkomst van deze som om de bevestigingsgaten voor de veer te bepalen.

$0 \div 1 = \frac{B}{2}$	$0 \div 1 = \frac{B}{3}$	$0 \div 2 = \frac{A}{2}$	$0 \div 2 = \frac{B}{1}$	$0 \div 2 = \frac{B}{1}$	$0 \div 2 = \frac{A}{1}$	$0 \div 2 = \frac{A}{3}$
$2 \div 7 = \frac{B}{3}$	$2 \div 4 = \frac{C}{1}$	$3 \div 5 = \frac{A}{2}$	$3 \div 5 = \frac{B}{2}$	$3 \div 5 = \frac{B}{2}$	$3 \div 4 = \frac{A}{2}$	$3 \div 6 = \frac{B}{1}$
	$5 \div 6 = \frac{C}{2}$	$6 \div 7 = \frac{A}{3}$			$5 \div 6 = \frac{A}{3}$	

17. **Let op** – De onderste moer moet worden vastgeschroefd tot aan het einde van het schroefdraadgedeelte;
04. Giet het cement en plaats, voordat het cement hard begint te worden, de funderingsplaat die zodanig gepositioneerd is dat hij op één lijn licht met het oppervlakte, parallel aan de slagboom en perfect waterpas (afb. 17). Wacht tot het cement helemaal is uitgehard, dit duurt over het algemeen minstens 2 weken;
05. Verwijder de 4 bovenste moeren van de ankers;
06. Open de kast van de slagboombarrière (afb. 18);
07. Plaats de slagboombarrière in de juiste positie en zet deze vast met de hiervoor bestemde moeren en ringen, deze worden niet bijgeleverd (afb. 19).

(\*) Opmerking - Het installatie-oppervlak moet perfect recht en glad zijn. Als het oppervlak van cement is, dient dit een dikte van tenminste 0,15 m te hebben en op adequate wijze te zijn verstevigd met ijzeren kooien. Het cementvolume moet groter zijn dan 0,2 m<sup>3</sup> (een dikte van 0,25 m komt overeen met 0,8 m<sup>2</sup>; d.w.z. gelijk aan een vierkante basis van ongeveer 0,9 m per zijde). De bevestiging op het cement kan gebeuren met de 4 expansieverankeringen, voorzien van 12 MA schroeven, die bestand zijn tegen een trekbelasting van tenminste 400 kg. Als het installatie-oppervlak van een ander materiaal is, dient de consistentie ervan te worden beoordeeld en dient u na te gaan of de 4 verankeringspunten bestand zijn tegen een belasting van tenminste 1000 kg. Gebruik voor de bevestiging 12 MA schroeven.

### 3.5 - De slagboom en de voorziene accessoires installeren

#### 3.5.1 - Assemblage van de steun voor de slagboom

01. Steek de 2 stiften in de hiervoor bestemde zittingen op de uitgaande motoras (afb. 20);
02. Plaats de steun op de uitgaande motoras en zet hem in de stand van de "verticale slagboom" en zet hem vast met de hiervoor bestemde schroeven en open ringen; schroef met kracht vast (afb. 21);

03. Plaats de deksel van de slagboom zet deze gedeeltelijk vast met de 6 bijgeleverde schroeven (afb. 22).

#### 3.5.2 - De slagboom bestaande uit een enkel stuk, heel of in delen, in elkaar zetten.

Mogelijke lengtes:

- M3BAR:** 2,65 m = XBA15 (3,15 m - 0,50 m = 2,65 m)  
3,15 m = XBA15 (3,15 m)
- M5BAR:** 3,50 m = XBA14 (4,15 m - 0,65 m = 3,50 m)  
4,15 m = XBA14 (4,15 m)  
5,15 m = XBA5 (5,15 m)
- M7BAR:** 5,15 m = XBA5 (5,15 m)

01. Monteer de twee slagboomkoppelingen (afb. 23);
02. Plaats de zojuist gemonteerde koppelingen vanaf hetzelfde uiteinde van de slagboom. Gebruik een rubberen hamer (afb. 24);
03. Smeer de aluminium geleiders aan beide zijden licht in met olie (afb. 25).
04. Voer dit punt voor beide zijden van de slagboom uit: installeer het eerste stuk stootrubber in de sleuf, en duw het tot aan het einde van de slagboom; installeer vervolgens het verbindingsstuk voor het stootrubber (afb. 26) en doe hetzelfde met de andere stukken;
05. Het stootrubber mag ongeveer 1 cm uit de profielrand uitsteken (afb. 27):
- A)** Plaats de dop van de slagboom zet deze vast met de twee schroeven (afb. 28);
- B)** Plaats de twee doppen die het rubber afdekken en zet deze vast (afb. 28);
06. Schuif de complete slagboom in de draagschaal tot hij aan de stop zit en schroef de 6 eerder gemonteerde schroeven van de steun met kracht vast (afb. 29).

### 3.5.3 - De slagboom bestaande uit twee stukken, heel of in delen, in elkaar zetten.

Mogelijke lengtes:

- M7BAR:** 5,00 m = XBA15 (3,15 m -1,30m = 1,85\*) + XBA15 (3,15 m)  
6,33 m = XBA15 (3,15 m) + XBA15 (3,15 m)  
7,33 m = XBA15 (3,15 m\*) + XBA14 (4,15 m)  
**L9BAR:** 7,33 m = XBA15 (3,15 m\*) + XBA14 (4,15 m)  
8,33 m = XBA14 (4,15 m) + XBA14 (4,15 m)  
9,33 m = XBA14 (4,15 m\*) + XBA5 (5,15 m)

**(\*) - LET OP! – In het geval van slagbomen bestaande uit twee stukken moet het kortste stuk aan de aluminium steun worden bevestigd. Punt 02 van de procedure als volgt wijzigen:**

01. Model M3BAR - M5BAR - M7BAR: steek de aansluiting van aluminium in een uiteinde van de kortere slagboom en zet hem vast met de meegeleverde schroef (afb. 23).
02. Model L9BAR: steek de aansluiting van aluminium in een uiteinde van de kortere slagboom en zet hem vast met de meegeleverde schroef (afb. 24).
03. Installeer het universele verbindingstuk in de vrije uiteinden van de twee slagbomen. Zorg ervoor dat het verbindingstuk de juiste kan op gericht is: de schroefkoppen moeten zich aan dezelfde kant van de aanwezige gaten in de slagbomen bevinden (afb. 30);
04. Draai de drie schroeven van het verbindingstuk gelijkmatig los zodat het verbindingstuk in de slagbomen "uitzet" (afb. 31);
05. Smeer de aluminium geleiders aan beide zijden licht in met olie (afb. 25).
06. Voer dit punt voor beide zijden van de slagboom uit: installeer het eerste stuk stootrubber in de sleuf, en duw het tot aan het einde van de slagboom; plaats vervolgens het verbindingstuk voor het stootrubber (afb. 26) en doe hetzelfde met de andere stukken;
07. Het stootrubber mag ongeveer 1 cm uit de profielrand uitsteken (afb. 27):  
**A)** Plaats de dop van de slagboom zet deze vast met de twee schroeven (afb. 28);  
**B)** Plaats de twee doppen die het rubber afdekken en zet deze vast (afb. 28);
08. Schuif de complete slagboom in de draagschaal tot hij aan de stop zit en schroef de 6 eerder gemonteerde schroeven van de steun met kracht vast (afb. 29).

### 3.5.4 - De accessoires van de slagboom installeren

Als u de slagboom en de rubberen stootblokken heeft geïnstalleerd, moet u accessoires op de slagboom aanbrengen, alvorens u verder gaat. Raadpleeg voor de installatie van de accessoires de desbetreffende handleidingen.

### 3.6 - De slagboombarrière handmatig ontgrendelen en vergrendelen

Dit moet gedaan worden in het geval van een stroomuitval of van storingen in de werking.

Breng de meegeleverde sleutel aan en draai deze 180° rechts- of linksom om de slagboomopener te ontgrendelen of te vergrendelen (afb. 32).

**BELANGRIJK! • Het ontgrendelen/vergrendelen van de reductiemotor mag alleen gebeuren wanneer de slagboom stilstaat en horizontaal is. • Handmatige ontgrendeling/vergrendeling is mogelijk aan beide kanten van de slagboombarrière door de slotcilinder te verplaatsen (zie paragraaf 3.6.1).**

#### 3.6.1 - De slotcilinder verplaatsen voor handmatige ontgrendeling/vergrendeling

01. Plaats de bijgeleverde sleutel en draai de sleutel 180° rechtsom (afb. 33-a);
02. Trek in de doos de "U"-vormige clip naar beneden zodat de cilinder vrijkomt (afb. 33-b) en verwijderde cilinder van buitenaf (afb. 33-c);
03. Verwijder aan de andere zijde van de doos de plastic dop (afb. 34-a) en breng de cilinder in deze opening aan (afb. 34-b);
04. Breng vervolgens in de doos van beneden naar boven de "U"-vormige clip weer aan (afb. 34-c).

### 3.7 - De mechanische pallen van de eindaanslagen afstellen

01. Reductiemotor handmatig ontgrendelen: zie paragraaf 3.6;
02. Laat de slagboom handmatig een complete openings- en sluitmanoeuvre uitvoeren;
03. Draai vervolgens aan de schroeven van de mechanische pallen van de eindaanslagen (afb. 35 en 36) om de horizontale stand van de slagboom af te stellen als deze gesloten is, of om de verticale stand van de slagboom af te stellen als deze geopend is.
04. Draai vervolgens de moeren aan.

### 3.8 - Balanceren van de slagboom

Balanceer de slagboom uit om het beste evenwicht tussen het totale gewicht van de slagboom met geïnstalleerde accessoires en de kracht die voor de spanning van de balansveer nodig is te kunnen vinden. Pas de volgende procedure toe om vast te stellen of de spanning van de veer al dan niet optimaal is om het gewicht van de slagboom en de eventuele accessoires te balanceren.

#### 3.8.1 - Balanceren van slagboom M3BAR / M5BAR / M7BAR

01. Reductiemotor handmatig ontgrendelen: zie paragraaf 3.6;
02. Zet de slagboom met de hand ongeveer halverwege zijn traject (45°) en laat hem stilstaan. Als de slagboom ertoe neigt om omhoog te gaan, dient u de spanning van de veer te reduceren door deze handmatig rechtsom te draaien (afb. 37-a). Als de slagboom echter de neiging heeft om naar be-

nedent te zakken, moet u de spanning van veer laten toenemen door deze handmatig linksom te draaien (afb. 37-b). Opmerking - De onbalanswaarde is acceptabel wanneer de kracht die nodig is om de slagboom te meten\* in de openingsstand, sluitstand en in alle andere standen de helft van de nominale koppelwaarde niet overschrijdt (ongeveer 1,5 kg voor M3; 3,5 kg voor M5 en 4,5 kg voor M7; ongeveer 5 kg per 1 m). [(\*) kracht loodrecht op de slagboom en op 1 m van de draaias gemeten].

03. Herhaal punt 02 waarbij u de slagboom nu op ongeveer 20° en op ongeveer 70° zet. Als de slagboom stil blijft staan in deze standen, betekent dit dat de balancering correct is; een lichte onbalans is toegestaan, maar de slagboom mag nooit sterk omhoog of omlaag bewegen.
04. Zet de balansveer vast met de moer (afb. 37-c);
05. Vergrendel de reductiemotor: zie paragraaf 3.6.

#### 3.8.2 - Balanceren van slagboom L9BAR

01. Reductiemotor handmatig ontgrendelen: zie paragraaf 3.6;
02. Zet de slagboom met de hand ongeveer halverwege zijn traject (45°) en laat hem stilstaan. Als de slagboom de neiging heeft om omhoog te gaan, moet u de spanning van de veer reduceren door deze handmatig rechtsom te draaien (afb. 38-a). Als de slagboom echter de neiging heeft om omlaag te zakken, moet u de spanning van de veer laten toenemen door de moer linksom te draaien (afb. 38-b). Opmerking - De onbalanswaarde is acceptabel wanneer de kracht die nodig is om de slagboom te meten\* in de openingsstand, sluitstand en in alle andere standen de helft van de nominale koppelwaarde niet overschrijdt (voor dit product ongeveer 6,5 kg per 1 m). [(\*) kracht loodrecht op de slagboom en op 1 m van de draaias gemeten].
03. De reductiemotor vergrendelen: zie paragraaf 3.6.

## 4 ELEKTRISCHE AANSLUITINGEN

**LET OP! – Bij het uitvoeren van elektrische aansluitingen mag de installatie absoluut niet onder netspanning staan.**

01. Verwijder de deksel door de schroeven los te draaien en de sleutel rechtsom te draaien (afb. 39);
02. Voer de elektriciteitskabels de slagboombarrière binnen vanaf de basis naar de besturingseenheid toe en leid ze naar de linkerkant van de besturingscentrale. De kabels van de magnetische detectielussen (Loop Detector) en voor de modus "Master-Slave" moeten langs de rechterkant lopen;
03. Leid de voedingskabel met behulp van de kabelklem en sluit deze aan op de klem met 3 contacten met zekering. Zet de kabelklem vast door de schroef aan te draaien (afb. 40);
04. Sluit de resterende kabels aan volgens het elektrische schema van afb. 41. Opmerking – Om het aansluiten van de kabels te vergemakkelijken, is het mogelijk de klemmen uit hun behuizingen te halen.

### 4.1 - Beschrijving van de elektrische aansluitingen

- **LIGHT** = deze uitgang kan geprogrammeerd worden (zie hoofdstuk 6, paragraaf 6.2 - Programmering tweede niveau - instelL9BAR parameters) en wordt gebruikt om één van de volgende inrichtingen aan te sluiten:

– **Knipperlicht:** indien er "knipperlicht" geprogrammeerd is op de uitgang "LIGHT" is het mogelijk een knipperlicht NICE "LUCY B, of MLB of MLBT" met een lampje van 12 V 21 W type auto aan te sluiten. Tijdens de manoeuvre knippert dit met intervallen van 0,5 s aan en 0,5 s uit. Fabrieksinstelling: configuratie voor werking als "Knipperlicht voor slagboomlichten" 24 V/10 W.

– **"verklikker slagboom open" - "actief indien slagboom gesloten" - "actief indien slagboom open" - "knipperlicht voor slagboomlichten" en "onderhoudsverklikker":** als één van deze 5 functies op de uitgang "LIGHT" geprogrammeerd is, kan een lampje van 24 V max 10 W worden aangesloten voor de volgende signaleringen:

#### Functie "verklikker slagboom open"

Slagboom gesloten: uit  
Slagboom bezig met openingsmanoeuvre: langzaam knipperen  
Slagboom bezig met sluitmanoeuvre: snel knipperen  
Slagboom open (niet dicht): aan

#### Functie "actief indien slagboom gesloten"

Slagboom gesloten: aan  
In alle andere gevallen: uit

#### Functie "actief indien slagboom open"

Slagboom open: aan  
In alle andere gevallen: uit

#### Functie "knipperlicht voor slagboomlichten"

De verklikker of de slagboomlichten geven aan dat de manoeuvre aan de gang is door met regelmatige tussenpozen te knipperen (0,5 seconde aan; 0,5 seconde uit)

#### Functie "onderhoudsverklikker"

- lampje brandt gedurende 2 sec aan het begin van de openingsma-

- noeuve = aantal manoeuvres minder dan 80%
- lampje knippert gedurende de uitvoering van de volledige manoeuvre = aantal manoeuvres tussen '80 en 100%
  - lampje knippert altijd = aantal manoeuvres meer dan 100%.

– **Zuignap:** het is mogelijk een zuignap 24 V max. 10 W aan te sluiten (uitvoeringen met uitsluitend een elektromagneet, zonder elektronische inrichtingen). Wanneer de slagboom gesloten is wordt de zuignap geactiveerd en blokkeert de slagboom. Bij de openings- of sluitmanoeuvre wordt de uitgang gedeactiveerd.

– **Elektrische vergrendeling:** het is mogelijk een elektrische vergrendeling aan te sluiten die vanzelf dichtvalt, 24 V max. 10 W (uitvoeringen met uitsluitend een elektromagneet, zonder elektronische inrichtingen). Tijdens de openingsmanoeuvre wordt de elektrische vergrendeling geactiveerd en blijft actief om de slagboom vrij te maken en de manoeuvre uit te voeren. Bij de sluitmanoeuvre dient u zich ervan te vergewissen dat de elektrische vergrendeling zich mechanisch vastkoppelt.

– **Elektrisch slot:** het is mogelijk een elektrisch slot aan te sluiten dat vanzelf dichtvalt, 24 V max. 10 W (uitvoeringen met uitsluitend een elektromagneet, zonder elektronische inrichtingen). Aan het begin van de openingsmanoeuvre wordt het elektrische slot voor een korte periode geactiveerd om de slagboom vrij te maken en de manoeuvre uit te voeren. Bij de sluitmanoeuvre dient u zich ervan te vergewissen dat het elektrische slot zich mechanisch vastkoppelt.

• **FLASH** = deze uitgang kan worden geprogrammeerd met behulp van de Oview-programmeereenheid. Er kan dezelfde apparatuur op worden aangesloten als op de uitgang LIGHT. De fabrieksconfiguratie is ingesteld op knipperlicht van 12 V en 21 W.

• **SCA** = deze uitgang kan worden geprogrammeerd met behulp van de Oview-programmeereenheid. Er kan dezelfde apparatuur op worden aangesloten als op de uitgang LIGHT. De fabrieksconfiguratie is ingesteld op verklikker slagboom van 24 V en 10 W.

• **BLUEBUS** = op dit klemmetje kunnen compatibele inrichtingen aangesloten worden; ze worden allemaal parallel aangesloten met twee draden waarover zowel de elektrische stroomvoorziening als de communicatiesignalen lopen. Raadpleeg hoofdstuk 8 voor verdere informatie.

• **STOP** = ingang voor inrichtingen die de lopende manoeuvre blokkeren of eventueel onderbreken; door op de juiste wijze te werk te gaan is het mogelijk contacten van het type "Normaal Dicht" NC, type "Normaal Open" NO of inrichtingen met een constante weerstand of van het optische type aan te sluiten. Raadpleeg hoofdstuk 8 voor verdere informatie.

• **PP** = ingang voor inrichtingen die de manoeuvre in de modus Stap-voor-Stap aansturen; het is mogelijk contacten van het type "Normaal Open" aan te sluiten.

• **OPEN** = ingang voor inrichtingen die alleen de openingsmanoeuvre aansturen; het is mogelijk contacten van het type "Normaal Open" aan te sluiten.

• **CLOSE** = ingang voor inrichtingen die alleen de sluitmanoeuvre aansturen; het is mogelijk contacten van het type "Normaal Open" aan te sluiten.

• **ANTENNA** = ingang voor aansluiting van de antenne voor de radio-ontvanger (de antenne is ingebouwd op LUCY B, MBL, MLBT).

• **LED-KAARTUITGANG** = deze uitgang kan geprogrammeerd worden (zie hoofdstuk 6, paragraaf 6.2 - Programmering tweede niveau - insteL9BARe parameters) en wordt gebruikt om de led-knipperlichtkaart (XBA7) of de led-stoplichtkaart (XBA8) aan te sluiten. Met de fabrieksinstelling vervult dit licht de functie van knipperlicht, met intervallen 0,5 s aan en 0,5 s uit. Bovendien worden de diagnosesignaleringen uitgevoerd.

• **LOOP1** = Loop Detector-ingang voor aansluiting van een magnetische detectielus, ter detectie van metaalmassa's. De werkingsmodi die aan deze ingang zijn gekoppeld, kunnen worden gewijzigd met de Oview-programmeereenheid (zie paragraaf 7.5 - Loop Detector). Fabrieksinstelling: configuratie voor de openingsmanoeuvre.

• **LOOP2** = Loop Detector-ingang voor aansluiting van een magnetische detectielus, ter detectie van metaalmassa's. De werkingsmodi die aan deze ingang zijn gekoppeld, kunnen worden gewijzigd met de Oview-programmeereenheid (zie paragraaf 7.5 - Loop Detector). Fabrieksinstelling: configuratie voor de openingsmanoeuvre.

• **MASTER-SLAVE** = connector voor aansluiting van 2 slagboombarrières in de modus Master-Slave (zie paragraaf 7.6 - Master-Slave).

## BELANGRIJK! – GEBRUIK GEEN ANDERE INRICHTINGEN DAN VOORZIEN.

### 4.2 - Eerste inschakeling en controle van de aansluitingen

**LET OP! – De definitieve aansluiting van de automatisering op de netvoeding mag uitsluitend worden uitgevoerd door een gekwalificeerde en ervaren technicus, in overeenstemming met de plaatselijk van kracht zijnde veiligheidsvoorschriften.**

Sluit de besturingscentrale aan op een elektrische voedingsleiding die correct geaard is. Zorg voor een inrichting voor afkoppeling van het net met een open-

ningsafstand tussen de contacten, die complete afkoppeling in de condities van overspanningscategorie III garandeert, of maak gebruik van een systeem met stekker en stopcontact.

Na de besturingseenheid onder spanning te hebben gezet, dient u de volgende controles uit te voeren:

- Controleer of de BlueBus-led een aantal seconden snel knippert en vervolgens regelmatig knippert met een frequentie van 1 knippering per seconde.
- Als er fotocellen aanwezig zijn dient u te controleren of de led's hiervan knipperen (zowel TX als RX); hoe de led's knipperen is niet belangrijk aangezien dit van andere factoren afhankelijk is.
- Controleer of de op de uitgang FLASH ofwel het led-knipperlicht XBA7 aangesloten inrichting uit is (met fabrieksinstelling).

Als dit alles niet gebeurt dient u de stroomtoevoer naar de besturingseenheid af te koppelen en de uitgevoerde elektrische aansluitingen aan een nadere controle te onderwerpen.

Meer nuttige informatie voor de opsporing en diagnose van storingen vindt u in hoofdstuk 8 "Wat te doen als ... (probleemoplossingsgids)".

### 4.3 - Vooraf ingestelde functies

De besturingseenheid beschikt over een reeks programmeerbare functies die in de fabriek werden ingesteld op de meest gebruikelijke waarden. Deze waarden kunnen echter op elk gewenst moment gewijzigd worden: raadpleeg hiervoor hoofdstuk 6.

### 4.4 - Zelfflering van de met aangesloten inrichtingen

Na de eerste inschakeling dient u de besturingseenheid de procedure voor herkenning van de met de ingangen "Bluebus" en "Stop" verbonden inrichtingen uit te laten voeren.

**LET OP! – De zelffleringfase moet ook worden uitgevoerd als er geen enkele inrichting met de besturingseenheid is verbonden.**

Om aan te geven dat deze procedure moet worden uitgevoerd, zullen de led's "L1" en "L2" op de besturingseenheid gelijktijdig knipperen.

01. Houd de toetsen "Open" en "Set" gelijktijdig ingedrukt;
02. Laat de toetsen los wanneer de led's "L1" en "L2" snel beginnen te knipperen (na ongeveer 3 seconden).

03. Wacht enkele seconden tot de besturingseenheid de fase voor zelfflering van de inrichtingen voltooid heeft. Na afloop van deze fase moet de led "Stop" branden en moeten de led's "L1" en "L2" uitgaan (het is mogelijk dat de led's "L3" en "L4" beginnen te knipperen om aan te geven dat de afstandswaarden niet geregistreerd zijn).

Deze procedure moet herhaald worden in het geval van wijzigingen van de met de klemmen BlueBus en Stop verbonden inrichtingen; bijvoorbeeld nadat er een nieuwe inrichting op de besturingseenheid is aangesloten.

### 4.5 - Zelfflering van de openings- en sluitposities

Na de procedure voor zelfflering van de aangesloten inrichtingen te hebben uitgevoerd, dient de besturingseenheid ook de posities van de mechanische stops aan te leren. In deze fase wordt de waarde van het bewegingstraject van de slagboom gedetecteerd, gemeten vanaf de mechanische stop van de sluitbeweging tot aan de stop van de openingsbeweging.

01. Ontgrendel de reductiemotor handmatig (zie hoofdstuk 3.6) en zet de slagboom met de hand op ongeveer 45° (halverwege het bewegingstraject);
02. Vergrendel de reductiemotor (zie paragraaf 3.6);
03. Houd de toetsen "Close" en "Set" gelijktijdig ingedrukt;
04. Laat de toetsen los wanneer de manoeuvre begint (na ongeveer 3 seconden);

05. Wacht enkele seconden tot de besturingseenheid de fase voor zelfflering voltooid heeft: sluiten, openen en sluiten van de slagboom met tussenpauzes van 3 seconden.

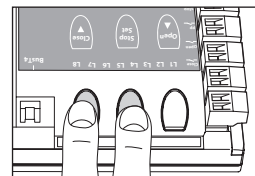
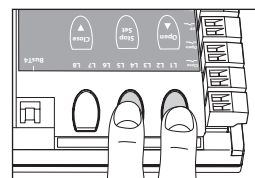
**Waarschuwingen!** • Onderbreek de drie manoeuvres niet: als dit echter wel gebeurt, moet u de hele procedure vanaf punt 01 herhalen. • Controleer tijdens de drie manoeuvres of de balanshendel van de slagboom de mechanische pallen van de eindaanslag raakt. Als dit niet het geval is, moet u de procedure onderbreken, de mechanische pallen van de eindaanslagen afstellen en de procedure vanaf punt 01 herhalen. • Als na afloop van de zelfflering de leds "L3" en "L4" knipperen, betekent dit dat er zich een fout heeft voorgedaan. In dit geval moet u de hele procedure vanaf punt 01 herhalen.

**BELANGRIJK!** – De parameters met betrekking tot de vertragingposities en de remkracht zijn functies die vooraf door de centrale zijn ingesteld. Het is echter mogelijk om deze rechtstreeks via de centrale te wijzigen door de parameters "L5 Korte vertraging" (zie tabel 6 - paragraaf 6.1) en "L8 Rem" aan te passen (zie tabel 8 - paragraaf 6.2) ofwel via de Oview-programmeereenheid.

### 4.6 - Controle van de beweging van de slagboom

Na de zelfflering van de inrichtingen en de 2-3 manoeuvres voor de berekening van de vertragingpunten te hebben uitgevoerd, is het raadzaam enkele openings- en sluitmanoeuvres uit te voeren om te controleren of de beweging van de slagboom correct is.

01. Druk op de toets "Open" om een openingsmanoeuvre uit te laten voeren;



controleer of de slagboom af begint te remmen voordat hij de openingsstand bereikt;

02. Druk op de toets "Close" om een sluitmanoeuvre uit te laten voeren; controleer of de slagboom af begint te remmen voordat hij de sluitstand bereikt;
03. Controleer gedurende de manoeuvres of het led-knipperlicht, indien aanwezig, knippert met intervallen van 0,5 seconden aan en 0,5 seconden uit;
04. Voer diverse openings- en sluitmanoeuvres uit om na te gaan of er geen wrijvingspunten of storingen in de werking zijn.

**LET OP** – Indien de manoeuvre vanuit een andere positie dan één van de mechanische eindstops begint (opening of sluiting), zal de beweging op lage snelheid worden uitgevoerd.

#### 4.7 - Aansluiting van een radio-ontvanger

De besturingseenheid heeft een connector van het type SM voor de aansluiting van een radio-ontvanger (optioneel accessoire) model SMXI, SMXIS, OXI of OXIT en dergelijke.

Om een ontvanger aan te sluiten, de elektrische voeding naar de besturingseenheid afkoppelen en de ontvanger installeren zoals te zien is in **afb. 42**. In **tabel 5** vindt u een overzicht van de handelingen die de besturingseenheid uitvoert in functie van de geactiveerde uitgangen of de door de radio-ontvanger verstuurde bedieningsinstructies.

**TABEL 5**

Ontvanger SMXI, SMXIS, OXI, OXIT in modus I of II	
uitgang	beschrijving
Uitgang 1	Stap-voor-Stap
Uitgang 2	Open gedeeltelijk (open tot ongeveer 45%; waarbij geprogrammeerd kan worden met Oview, zie paragraaf 4.10.1)
Uitgang 3	Open
Uitgang 4	Sluit
Ontvanger OXI, OXIT geprogrammeerd in "Modus II uitgebreid"	
bedieningsinstructie	beschrijving
Instructie 1	Stap-voor-stap
Instructie 2	Open gedeeltelijk (open tot ongeveer 45%; waarbij geprogrammeerd kan worden met Oview, zie paragraaf 4.10.1)
Instructie 3	Open
Instructie 4	Sluit
Instructie 5	Stop
Instructie 6	Stap-voor-stap Woonblok
Instructie 7	Stap-voor-Stap Hoge prioriteit (de bedieningsinstructie wordt ook bij geblokkeerde automatisering doorgegeven)
Instructie 8	Ontgrendel + Open
Instructie 9	Ontgrendel + Sluit
Instructie 10	Open en Vergrendel automatisering
Instructie 11	Sluit en Vergrendel automatisering
Instructie 12	Vergrendel automatisering
Instructie 13	Stap-voor-stap Master-vleugel
Instructie 14	Stap-voor-stap Slave-vleugel

#### 4.8 - Aansluiting slagboomlichten (optionele accessoire)

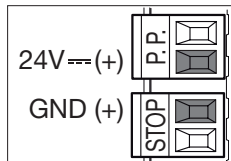
01. Zet de slagboom in verticale stand;
02. Draai de 6 bevestigingsschroeven van de deksel van de slagboom los (**afb. 43**);
03. Haal de slagboom tijdelijk weg;
04. Steek de kabeldoorvoer door het gat voor het doorvoeren van de bedrading (**afb. 44**);
05. Schuif de lichtkabel in het stootrubber, gebruik eventueel een sonde om de installatie te vergemakkelijken (**afb. 45**);
06. Kort de lichtkabel zo nodig in: de kabel mag alleen worden doorgesneden op één van de gemarkeerde punten. Na het doorknippen dient de dop op het afgeknipte uiteinde naar het nieuwe uiteinde te worden overgeplaatst;
07. Steek de kabel eerst door het gat op de steun van de slagboom en vervolgens door het gat op de kast (**afb. 46**); **Let op** – Laat wat extra kabel in de steun van de slagboom, zodat de slagboom 90° kan draaien zonder dat dit spanning op de kabel veroorzaakt;
08. Verbind de lichtkabel met de klem LIGHT op de besturingseenheid: zie schema van **afb. 47**. **Opmerking** – De LIGHT-uitgang heeft een bepaalde polariteit: als de lichten niet aan gaan, zoals is geprogrammeerd, moeten de op de klem aangesloten kabels worden omgedraaid.
09. Positioneer en blokkeer de connector in de sleuf van de slagboom (**afb. 48**);
10. Installeer de slagboom en blokkeer hem met het deksel, door de 6 schroeven met kracht vast te draaien (**afb. 49**), waarbij u er op let de kabel niet af te klemmen.

#### 4.9 - Aansluiting led-knipperlicht mod. XBA7 of led-stoplicht mod. XBA8 (optionele accessoires)

Op de deksel van de slagboombarrière kan een led-knipperlicht mod. XBA7 of led-stoplicht met rode en groene led's mod. XBA8 worden geïnstalleerd. De werkingsmodi van deze knipperlichten kunnen worden gewijzigd met behulp van de Oview-programmeereenheid of via geschikte programmeringen van de besturingseenheid. Zie voor meer informatie de instructiehandleiding van de twee producten:

#### 4.10 - Aansluiting van andere inrichtingen

Dankzij de ingebouwde eenheid is het mogelijk externe inrichtingen van stroom te voorzien (een radio-ontvanger of verlichting van de sleutelschakelaar) door de voeding van de besturingseenheid te onderbreken: zie de afbeelding hiernaast voor het soort elektrische verbinding. De voedingsspanning is 24 V  $\pm$  (-30% ÷ +50%) met een maximaal beschikbare stroom van 100 mA.



##### 4.10.1 - Programmeereenheid Oview

Door gebruik van de programmeereenheid Oview is het mogelijk alle installatie- en onderhoudswerkzaamheden alsook de diagnose op complete en snelle wijze te beheren. U kunt Oview op de wegbarrière aansluiten via de connector BusT4 op de besturingseenheid. Om toegang tot de connector BusT4 te krijgen, dient u het deksel van de wegbarrière te openen en de connector in de hiervoor bestemde plaats (**afb. 50**) te installeren.

De Oview kan over het algemeen op een afstand van maximaal 100 m kabel van de besturingseenheid worden opgesteld; hij kan met meerdere besturingseenheden tegelijk worden verbonden (maximaal 16) en kan ook gedurende de normale werking van de automatisering aangesloten blijven; om deze gebruikslimieten te overschrijden dient u de aanbevelingen uit de instructiehandleiding van de Oview en in de handleiding van het Oview-systeem (System Book) te lezen. Als de besturingseenheid is uitgerust met een radio-ontvanger van de serie OXI, is het mogelijk om via de Oview toegang te krijgen tot de parameters van de zenders die zijn opgeslagen in de ontvanger zelf. Zie voor verdere informatie de instructiehandleiding van de programmeereenheid Oview of de functiekaart "X-Bar" die ook beschikbaar is op de site [www.niceforyou.com](http://www.niceforyou.com).

##### 4.10.2 - Bufferbatterij mod. PS224 (accessoire)

Wanneer de netvoeding uitvalt, kan de wegbarrière van stroom voorzien worden via de bufferbatterij model PS224. Voor de installatie en aansluiting van de batterij gaat u als volgt te werk:

**Let op!** – De elektrische aansluiting van de bufferbatterij op de besturingseenheid mag pas worden uitgevoerd nadat alle installatie- en programmeerfasen voltooid zijn, aangezien de bufferbatterij voor een noodstroomtoevoer zorgt.

01. Plaats de bufferbatterij zoals weergegeven in **afb. 51-a**;
02. **Koppel de netvoeding af** en verbind de betreffende kabel met de connector van de bufferbatterij (**afb. 51**);
03. Schakel de elektriciteitsvoeding tijdelijk uit.

##### 4.10.3 - Systeem Solemyo (voeding via zonne-energie)

De wegbarrière kan van stroom worden voorzien met het systeem voor voeding op zonne-energie "Solemyo". Voor de aansluiting op de besturingseenheid dient u het contact met 2 polen te gebruiken dat wordt weergegeven in **afb. 52**.

#### BELANGRIJK!

- Wanneer de automatisering wordt gevoed door het systeem "Solemyo", **MAG HET NIET TEGELIJKERTIJD ZIJN AANGESLOTEN op het elektriciteitsnet.**
- **In verband met de beperkte hoeveelheid zonne-energie die beschikbaar is kan de wegbarrière, afhankelijk van de plaats van installatie en de tijd van het jaar, een maximum aantal manoeuvres per dag uitvoeren. Vóór de installatie van het systeem Solemyo dient u in de betreffende instructiehandleiding te controleren op het maximaal aantal manoeuvres dat mogelijk is compatibel is met het voorziene gebruik.**
- **Het systeem "Solemyo" kan alleen op doeltreffende wijze gebruikt worden indien op de besturingseenheid de functie "Stand-by" in de modus "Alles" actief is (ON) (alleen activeerbaar via de programmeereenheid Oview).**

## 5 EINDTEST EN INBEDRIJFSTELLING

Dit zijn de belangrijkste fasen bij de aanleg van de automatisering teneinde een zo groot mogelijke veiligheid van de installatie te garanderen. De eindtest kan ook gebruikt worden om de inrichtingen, waaruit de automatisering is opgebouwd, periodiek te controleren. De fasen van de eindtest en de inbedrijfstelling van de automatisering moeten worden uitgevoerd door gekwalificeerd en ervaren personeel dat dient te bepalen welke tests in functie van de bestaande risico's noodzakelijk zijn en te controleren of de wettelijke voorschriften, normen en regels: met name alle vereisten van norm EN 12445, die de testmethodes voor de controle van automatiseringen voor poorten en wegbarrières bepaalt, in acht genomen zijn. Al deze activiteiten dienen te worden verricht onder direct toezicht van de verantwoordelijke installateur, d.w.z. degene die zijn naam

en handtekening in het kader nr. 1 van de verklaring van overeenstemming zet (zie bijlage I).

De aanvullende of optionele inrichtingen moeten worden onderworpen aan een specifieke eindtest, zowel voor wat betreft de functionering ervan als voor wat betreft de juiste interactie met de barrière.

## 5.1 - Eindtest

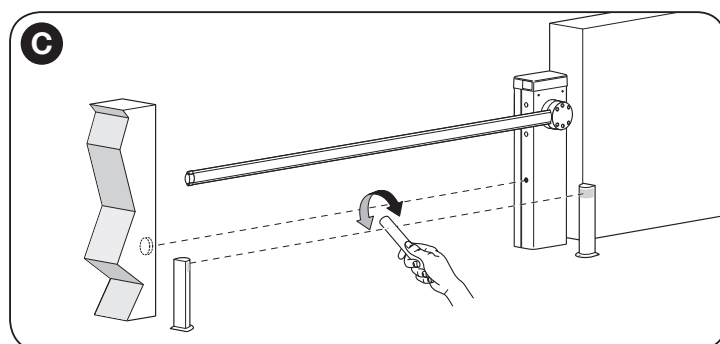
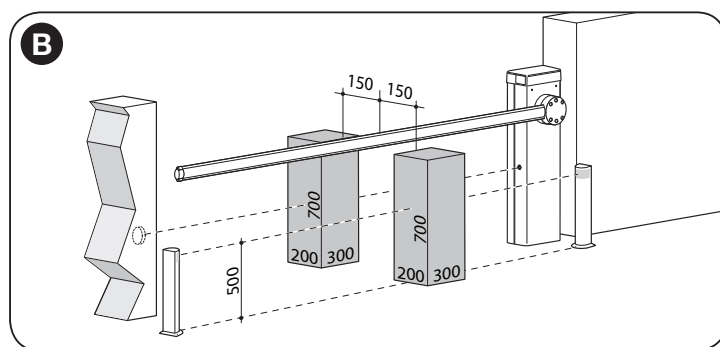
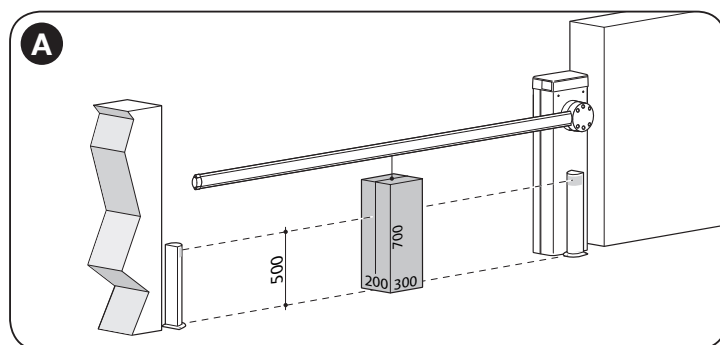
De handelingen die moeten worden uitgevoerd voor de eindtest hebben betrekking op een typische installatie (**afb. 1**) met een gebruikstype "niet-opgeleide gebruikers" en met een type activering van de automatisering via "automatische bediening" die als minimumniveau van beveiliging van de primaire lijst inrichtingen van het type C (beperking van de krachten - zie norm EN 12445) in combinatie met inrichtingen van type D (inrichtingen voor aanwezigheidsdetectie bijv. fotocel) voorziet. In aanmerking genomen dat dit type gebruikstype tot de meest zware toepassingen behoort, kan dezelfde eindtestprocedure ook goed worden toegepast voor minder zware gebruikcondities.

- 1 Controleer of de aanwijzingen met betrekking tot de veiligheid uit hoofdstuk 1 strikt in acht zijn genomen.
- 2 Controleer of de slagboom correct uitgebalanceerd is, zie paragraaf 3.8.
- 3 Controleer of de handmatige ontgrendeling goed werkt, zie paragraaf 3.6.
- 4 Gebruik de zender of de sleutelschakelaar om tests van de opening, sluiting en stop van de slagboom te doen en controleer of de beweging van de vleugel zoals voorzien is. Het is goed om meerdere tests uit te voeren om de beweging van de slagboom te beoordelen en te controleren op eventuele montage- of instelfouten of de aanwezigheid van wrijvingspunten.
- 5 Controleer alle veiligheidsinrichtingen van de installatie één voor één om te zien of ze correct werken (fotocellen, contactlijsten, enzovoort). Wanneer een inrichting in werking treedt, zal de led "BlueBus" op de besturingseenheid 2 maal sneller knipperen om te bevestigen dat de inrichting herkend werd.
- 6 Controleer als volgt of de fotocellen goed werken: afhankelijk van of er één of twee koppels fotocellen gemonteerd zijn, heeft u één of twee parallellepipedums van star materiaal nodig (bijvoorbeeld houten panelen) met afmetingen van 70 x 30 x 20 cm. Elk parallellepipedum moet drie zijden hebben, één voor iedere dimensie, van reflecterend materiaal (bijv. spiegel of witte hoogglanslak) en drie zijden van mat materiaal (bijv. geveerd met matte zwarte lak). Voor de test van de fotocellen op 50 cm van de grond, moet het parallellepipedum op de grond worden geplaatst of op een hoogte 50 cm om fotocellen te testen die zich op 1 m van de grond bevinden. Bij het testen van één koppel fotocellen moet het testvoorwerp exact onder het midden van de slagboom worden geplaatst, met de zijden van 20 cm naar de fotocellen toe gericht, en over de hele lengte van de slagboom verplaatst worden (**afb. A**). Bij het testen van twee koppels fotocellen moet de test eerst apart voor ieder koppel fotocellen worden uitgevoerd met behulp van 1 testvoorwerp en vervolgens herhaald worden met 2 testvoorwerpen. Ieder testvoorwerp moet opzij van het midden van de slagboom worden geplaatst, op een afstand van 15 cm, en vervolgens over de hele lengte van de slagboom verplaatst worden (**afb. B**). Gedurende deze tests moet het testvoorwerp op iedere willekeurige positie langs de hele lengte van de slagboom gedetecteerd worden door de fotocellen.
- 7 Controleer of er geen interferentie is tussen de fotocellen en andere inrichtingen door met een cilinder (diameter 5 cm, lengte 30 cm) de optische as te onderbreken die het koppel fotocellen met elkaar verbindt (**afb. C**): laat de cilinder eerst vlak voor de fotocel TX langs gaan, vervolgens voor RX en tot slot in het midden, tussen de twee fotocellen in. Verzeker u vervolgens van dat de inrichting in alle gevallen in werking treedt, en van de actieve status naar de alarmstatus gaat en omgekeerd; controleer tot slot of dit in de besturingseenheid de voorziene actie veroorzaakt (bijvoorbeeld omkering van de beweging in de Sluitmanoeuvre).
- 8 **Controle van de beveiliging tegen het gevaar van het mee omhoog trekken van voorwerpen:** bij automatiseringen met verticale beweging dient men altijd te controleren of dit gevaar niet aanwezig is. Deze test kan als volgt worden uitgevoerd: hang halverwege de lengte van de slagboom een gewicht van 20 kg (bijvoorbeeld een zak grint), geef instructie voor een openingsmanoeuvre en controleer of de slagboom gedurende deze manoeuvre niet hoger dan 50 cm vanaf de sluitstand gaat. Indien de slagboom deze hoogte overschrijdt, dient de motorkracht te worden gereduceerd (zie hoofdstuk 6 - Tabel 7):
- 9 Indien men de gevarensituaties, veroorzaakt door de beweging van de slagboom, heeft beveiligd door middel van beperking van de stootkracht, dient de kracht te worden gemeten in overeenstemming met de norm EN 12445 en dient men eventueel, als de controle van de "motorkracht" gebruikt wordt als hulp voor het systeem voor de reductie van de stootkracht, uit te proberen welke afstelling de beste resultaten geeft.
- 10 **Controle van de doeltreffende werking van het ontgrendelingssysteem:** zet de slagboom in de sluitstand en voer een handmatige ontgrendeling van de reductiemotor uit (zie paragraaf 3.6) en controleer of dit zonder problemen gebeurt. Controleer of de handmatige kracht die nodig is om de slagboom in openingsstand te zetten niet groter is dan 200 N (circa 20 kg); de kracht wordt loodrecht op de slagboom en op 1 m van de draaisas gemeten. Controleer tot slot of de sleutel die nodig is voor de handmatige ontgrendeling beschikbaar is in de nabijheid van de automatisering.
- 11 **Controle van het systeem voor afkoppeling van de voeding:** activeer de inrichting voor afkoppeling van de voeding en koppel de eventuele bufferbatterijen af en ga na of alle led's op de besturingseenheid uit zijn en of de slagboom ook bij het versturen van een bedieningsinstructie stil blijft staan. Controleer de doeltreffende werking van het vergrendelingssysteem om er zeker van te zijn dat het niet mogelijk is dat de installatie wanneer onbedoeld of door onbevoegden weer onder stroom kan worden gezet.

## 5.2 - Inbedrijfstelling

**Inbedrijfstelling kan alleen plaatsvinden nadat alle fasen van de eindtest met succes zijn afgesloten. Gedeeltelijke inbedrijfstelling of inbedrijfstelling in provisorische situaties is niet toegestaan.**

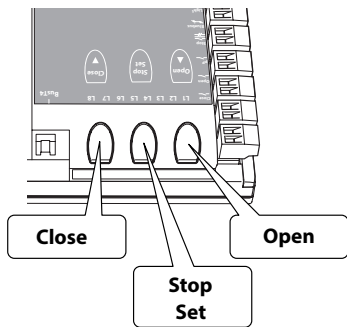
- 1 De ingevulde "EG-verklaring van overeenstemming - Bijlage I", (achterin deze handleiding, in het gedeelte met pagina's die uitgeknipt kunnen worden) dient aan de eigenaar te worden overhandigd.
- 2 Het ingevulde formulier "Gebruikshandleiding" (achterin deze handleiding, in het gedeelte met pagina's die uitgeknipt kunnen worden) dient aan de eigenaar te worden overhandigd.
- 3 Vul het formulier "Onderhoudsplan" in en geef dit aan de eigenaar van de automatisering. Dit plan bevat alle onderhoudsvoorschriften voor alle inrichtingen van de automatisering. Voor de slagboombarrière zit deze module achterin deze handleiding, in het gedeelte met pagina's die uitgeknipt kunnen worden.
- 4 Alvorens de automatisering in bedrijf te stellen, dient u de eigenaar afdoende te informeren over de gevaren en risico's die nog aanwezig zijn.
- 5 Bevestig het etiket uit de verpakking dat toepassing heeft op de handmatige ontgrendeling en vergrendeling van de reductiemotor op permanente wijze op de slagboombarrière.
- 6 ALLEEN voor installaties die NIET CONFORM de criteria uit paragraaf 1.3.1 van deze handleiding zijn: maak een technisch dossier van de automatisering, dat de volgende documenten moet omvatten: een overzichtstekening van de automatisering, het schema van de tot stand gebrachte elektrische aansluitingen, de risico-analyse en de toegepaste oplossingen (zie op de site [www.niceforyou.com](http://www.niceforyou.com) de formulieren die moeten worden ingevuld), de verklaring van overeenstemming van de fabrikant van alle gebruikte inrichtingen (voor de slagboombarrière zie bijlage II) en de door de installateur ingevulde verklaring van overeenstemming. Breng een plaatje op de slagboombarrière aan met daarop tenminste de volgende gegevens: type automatisering, naam en adres van de fabrikant (verantwoordelijk voor de "inbedrijfstelling"), serienummer, bouwjaar en "CE"-keurmerk.



## 6 PROGRAMMERING VAN DE BESTURINGSEENHEID

Op de besturingseenheid zitten 3 toetsen **OPEN (▲)**, **STOP (Set)**, **CLOSE (▼)** die zowel dienen voor het bedienen van de besturingseenheid gedurende de testfasen als voor de programmering van de beschikbare functies.

De beschikbare programmeerbare functies kennen 2 niveaus en de werkingsstatus ervan wordt aangegeven door de 8 led's (L1 ... L8) op de besturingseenheid.



### LED-SIGNALERINGEN:

- **Led aan** = functie actief;
- **Led uit** = functie niet actief;

### PROGRAMMEERTOETSSEN:

- **OPEN (▲)**: met de toets "OPEN" kunt u het openen van de slagboom aansturen of, gedurende de programmering, het punt van programmering naar

boven verplaatsen.

- **STOP (Set)**: met de toets "STOP" kunt u de manoeuvre stoppen; indien deze toets langer dan 5 seconden wordt ingedrukt, wordt de programmeerfase geactiveerd.
- **CLOSE (▼)**: met de toets "CLOSE" kunt u het sluiten van de slagboom aansturen of, gedurende de programmering, het punt van programmering naar beneden verplaatsen.

**LET OP!** – Gedurende de uitvoering van een manoeuvre (opening of sluiting) hebben alle 3 de toetsen (▲, Set, ▼) de functie STOP; hiermee wordt de actieve manoeuvre gestopt of wordt de bewegingsrichting omgekeerd.

### 6.1 - Programmering eerste niveau (ON-OFF)

Alle functies van het eerste niveau (tabel 6) zijn in de fabriek ingesteld op "OFF" en kunnen op elk gewenst moment gewijzigd worden zoals getoond in tabel 7. De parameters kunnen worden ingesteld op een waarde tussen 1 en 8; om te controleren welke waarde bij elk van de led's hoort, raadpleegt u tabel 6.

**BELANGRIJK** – De programmeerprocedure kent een tijd van maximaal 10 seconden tussen het indrukken van de ene en de andere toets. Nadat deze tijd verstreken is, wordt de procedure automatisch afgesloten, waarbij de tot op dat moment aangebrachte wijzigingen worden opgeslagen.

TABEL 6 - Functies eerste niveau

Led	Beschrijving	Voorbeeld
L1	Automatische sluiting	Deze functie voert een automatische sluiting van de slagboom uit na de geprogrammeerde Pauzetijd. Fabriekswaarde: 20 seconden. De waarde kan geprogrammeerd worden van 3 tot 60 seconden.
L2	Sluit na foto	De functie maakt het mogelijk de slagboom alleen in de openingsstand te houden voor de tijd die nodig is om door te rijden. Wanneer de functie actief is, zal de werking ervan variëren op basis van de parameter die is ingesteld in de functie "Automatische sluiting": <ul style="list-style-type: none"> <li>• met "Automatische sluiting" <b>actief</b>, de openingsmanoeuvre stopt onmiddellijk nadat de fotocellen zijn vrijgekomen en na 5 sec. begint de sluitmanoeuvre.</li> <li>• met "Automatische sluiting" <b>niet actief</b> bereikt de slagboom altijd de maximale openingsstand (ook als de fotocellen eerder gedeactiveerd worden) en na 5 sec. begint de sluitmanoeuvre.</li> </ul>
L3	Sluit altijd	Deze functie is nuttig in het geval van een stroomstoring, ook van korte duur. Als de functie actief is (ON) zal bij het terugkeren van de elektrische stroom de besturingseenheid de slagboom in de openingsstand detecteren en de sluitmanoeuvre starten die, om veiligheidsredenen, wordt voorafgegaan door 3 sec. voorwaarschuwing.
L4	Stand by	Deze functie dient voor het terugbrengen van het stroomverbruik. Als deze functie actief is zal de besturingseenheid, 1 minuut nadat de manoeuvre is afgelopen, de TX van de Bluebus-zonnecellen en alle led's uitschakelen, met uitzondering van de led Bluebus die langzamer zal knipperen. Wanneer de besturingseenheid een willekeurige instructie ontvangt, zal de normale werking hervat worden. <b>Voor het gebruik van de slagboombarrière met het systeem Solemyo is het noodzakelijk een "Stand-by"-modus te activeren die nog verdergaand is: de modus "Alles stand-by". Dit doet u met de Oview-programmeereenheid.</b>
L5	Lange/korte vertraging	Deze functie maakt het mogelijk de tijdspanne van de vertraging, zowel in de openings- als de sluitmanoeuvre te verdubbelen. Als de functie niet actief is, is de vertraging kort.
L6	Automatische start	Als deze parameter actief (ON) is, kan de start (op volle snelheid) worden geactiveerd zodra de slagboom in beweging komt. De fabrieksinstelling is "OFF".
L7	Modus Slave	Als u deze functie activeert wordt de slagboombarrière "Slave" (slaaf): zo is het mogelijk de werking van 2 tegenoverliggende barrières te synchroniseren waarbij één barrière als Master werkt en één als Slave; voor meer informatie raadpleegt u paragraaf 7.6 - Modus Master-Slave.
L8	Draairichting motor	Met deze parameter kan de draairichting van de motor worden omgekeerd om de barrière rechts te kunnen installeren; de waarde is in de fabriek ingesteld op "OFF" (standaarddraairichting van de motor – de sluiting van de slagboom is linksom). <b>Belangrijk – Wanneer deze functie geactiveerd wordt is het noodzakelijk de procedure voor zelflering van de openings- en sluitposities uit te voeren (paragraaf 4.5).</b>

TABEL 7 - Procedure voor programmering (eerste niveau)

01. Houd de toets "Set" ongeveer 3 seconden ingedrukt;	
02. Laat de toets los wanneer de led "L1" begint te knipperen;	
03. Druk op de toets "▲" of "▼" om u te verplaatsen van de led die knippert naar de led die de te wijzigen functie vertegenwoordigt;	
04. Druk op de toets "Set" om de status van de functie te veranderen: (kort knipperen = OFF - lang knipperen = ON);	
05. Wacht 10 seconden (maximumtijd) om de programmering af te sluiten.	
<b>Opmerking</b> – Om andere functie op "ON" of "OFF" te programmeren dient u, gedurende het uitvoeren van de procedure de punten 03 en 04 gedurende de fase zelf te herhalen.	

### 6.2 - Programmering tweede niveau (instelbare parameters)

Alle parameters van het tweede niveau zijn in de fabriek ingesteld (tabel 8) en kunnen op elk gewenst moment worden gewijzigd door te werk te gaan zoals beschreven in tabel 9.

De parameters kunnen worden ingesteld op een waarde tussen 1 en 8; om te controleren welke waarde bij elk van de led's hoort, raadpleegt u tabel 8.

**BELANGRIJK** – De programmeerprocedure kent een tijd van maximaal 10 seconden tussen het indrukken van de ene en de andere toets. Nadat deze tijd verstreken is, wordt de procedure automatisch afgesloten, waarbij de tot op dat moment aangebrachte wijzigingen worden opgeslagen.




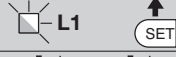


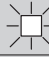
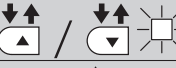


TABEL 8 - Functies tweede niveau

Led ingang	Parameter	Led (niveau)	Waarde	Beschrijving
L1	Tijd Pauze	L1	3 seconden	Regelt de pauzetijd, d.w.z. de tijd die verstrijkt tussen het einde van een openingsmanoeuvre en het begin van de automatische sluiting. Deze parameter heeft alleen effect als de functie automatisch sluiten actief is.
		L2	5 seconden	
		L3	7 seconden	
		L4	10 seconden	
		L5	15 seconden	
		L6	20 seconden	
		L7	40 seconden	
		L8	60 seconden	
L2	Functie Stap-voor-stap	L1	Open - stop - sluit - stop	Regelt de opeenvolging van instructies horend bij de ingang of de radio-bediening: "Stap-voor-stap".
		L2	Open - stop - sluit - open	
		L3	Open - sluit - open - sluit	
		L4	Woonblok 1	
		L5	Woonblok 2	
		L6	Stap-voor-stap 2	
		L7	Iemand aanwezig	
		L8	Opening in "semi-automatisch", sluiting bij "persoon aanwezig"	
L3	Snelheid motor	L1	Snelheid 1 (50%)	Regelt de snelheid van de motor gedurende het normale bewegingstraject.
		L2	Snelheid 2 (80%)	
		L3	Snelheid 3 (100%)	
		L4	Open V3, Sluit V1	
		L5	Open V1, Sluit V2	
		L6	Open V2, Sluit V3	
		L7	Open V3, Sluit V2	
		L8	Open V2, Sluit V1	
L4	Uitgang 1 LIGHT	L1	Verklikker slagboom open (24 V - 10 W)	Selecteert het type inrichting dat verbonden is met de uitgang LIGHT. <b>Belangrijk!</b> – Als de programmering veranderd wordt, dient u te controleren welk type spanning van de nieuwe inrichting die verbonden is met de klem LIGHT overeenkomt met het type spanning van het gekozen programmeerniveau.
		L2	Slagboom gesloten (24 V - 10 W)	
		L3	Slagboom open (24 V - 10 W)	
		L4	Knipperlicht (12 V - 21 W)	
		L5	Knipperlicht 1 (24 V - 10 W) (voor slagboomlichten)	
		L6	Elektrisch slot (24 V - 10 W)	
		L7	Zuignap (24 V - 10 W)	
		L8	Onderhoudsverklikker (24 V - 10 W)	
L5	Led-uitgang (lichten deksel)	L1	Knipperlicht (alleen tijdens de manoeuvre)	Selecteert de werkingsmodus van de inrichting die verbonden is met de led-uitgang. De modi L1 tot en met L4 kunnen aan de knipperende led-inrichting worden gekoppeld. De modi L5 tot en met L8 kunnen aan de knipperende led-stoplichtinrichting worden gekoppeld. <b>Belangrijk!</b> – Sluit geen andere inrichtingen aan dan voorzien.
		L2	Knipperlicht 1 (knippert altijd)	
		L3	Gebruikerslicht	
		L4	Altijd aan	
		L5	Rood stoplicht	
		L6	Groen stoplicht	
		L7	Stoplicht in één richting	
		L8	Stoplicht in afwisselende richting	
L6	Motorkracht	L1	Kracht 1 (laag)	Stelt tijdens de beweging de besturingseenheid van de motorkracht af om deze aan te passen aan het gewicht van de vleugel.
		L2	Kracht 2	
		L3	Kracht 3	
		L4	Kracht 4	
		L5	Kracht 5	
		L6	Kracht 6	
		L7	Kracht 7	
		L8	Kracht 8 (hoog)	
L7	Gevoeligheid Loop Detector	L1	100% - maximaal	Regelt de gevoeligheid van detectie van metalen voorwerpen van het Loop Detector-circuit. Zie paragraaf 7.5 - hoofdstuk. 7 Aanvullende informatie.
		L2	90%	
		L3	80%	
		L4	70%	
		L5	60%	
		L6	50%	
		L7	40%	
		L8	30% - minimaal	
L8	Rem	L1	0 - afwezig	Stelt de remkracht in die wordt uitgeoefend tijdens de vertragingfase van de manoeuvre.
		L2	1	
		L3	2	
		L4	3	
		L5	5	
		L6	6	
		L7	8	
		L8	9 - maximaal	

**WAARSCHUWINGEN:**

- Stel geen te hoge waarde in voor de "motorkracht", op die manier zou de werking van het veiligheidssysteem in gevaar kunnen worden gebracht of zou de slagboom schade kunnen oplopen;
- Als de controle van de "motorkracht" gebruikt wordt als hulp voor het systeem om de stootkracht te verlagen, dient de meting van de kracht na iedere afstelling te worden herhaald, zoals voorzien door de norm EN 12445
- Slijtage en weersomstandigheden hebben invloed op de beweging van de slagboom, de instelling van de "motorkracht" dient daarom regelmatig te worden gecontroleerd.

**TABEL 9 - Programmeerprocedure (tweede niveau)**

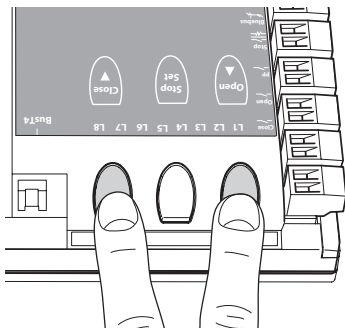
01. Houd de toets "Set" ongeveer 3 seconden ingedrukt;	
02. Laat de toets los wanneer de led "L1" begint te knipperen;	
03. Druk op de toets "▲" of "▼" om u te verplaatsen van de led die knippert naar de led die de te wijzigen functie vertegenwoordigt;	
04. Houd de toets "Set" ingedrukt tot punt 06 is afgewerkt;	
05. Wacht circa 3 seconden totdat de led gaat branden die het actuele niveau van de te wijzigen parameter vertegenwoordigt;	
06. Druk op de toets "▲" of "▼" om de led, die de parameterwaarde vertegenwoordigt, te verplaatsen;	
07. Laat de toets "Set" los;	
08. Wacht 10 seconden (maximumtijd) om de programmering af te sluiten.	
<b>Opmerking</b> – Om meerdere parameters te programmeren dient u gedurende de procedure de handelingen van punt 03 tot punt 07 gedurende de fase zelf te herhalen.	

## 7 AANVULLENDE INFORMATIE

### 7.1 - Volledig wissen van het geheugen van de besturingseenheid

Het is mogelijk alle opgeslagen gegevens uit de besturingseenheid te wissen en deze weer in de oorspronkelijk staat terug te brengen, met de fabriekswaarden:

01. Houd de toetsen "▲" en "▼" gelijktijdig ingedrukt;



02. (na ongeveer 3 seconden) Laat de toetsen weer los wanneer de led's gaan branden;

03. Wanneer de led's L1 en L2 beginnen te knipperen betekent dit dat de procedure voltooid is.

Opmerking – Vai deze procedure kunnen eventuele in het geheugen achtergebleven fouten worden verwijderd.

**Belangrijk** – Deze procedure zal de parameter die betrekking heeft op de draairichting van de motor en het aantal uitgevoerde manoeuvres niet wissen.

### 7.2 - Overige functies

#### • Functie "Open altijd"

Deze functie is specifiek voor de besturingseenheid; hij is gekoppeld aan de ingang "Stap-voor-stap" en maakt het mogelijk altijd een openingsmanoeuvre aan te sturen wanneer de instructie Stap-voor-stap langer dan 3 seconden actief blijft. Deze functie is geldig voor iedere willekeurige programmering van de ingang Stap-voor-stap (zie "Functie PP" in **tabel 8**).

De functie kan bijvoorbeeld gebruikt worden om een klok aan te sluiten om de permanente opening van de slagboombarrière gedurende een bepaalde tijdsperiode te programmeren.

#### • Functie "Manoeuvre hoe dan ook uitvoeren"

In het geval één of meer veiligheidsinrichtingen niet correct werken of buiten werking zijn, laat deze functie het toe de slagboombarrière hoe dan ook toch aan te sturen in de modus "Persoon aanwezig" (zie voor meer details het hoofdstuk "gebruikshandleiding").

#### • Functie "Onderhoudsverklikker"

Deze functie zorgt ervoor dat er gewaarschuwd wordt wanneer het tijd is om de automatisering aan een onderhoudscontrole te onderwerpen. De parameter "Onderhoudsverklikker" kan worden ingesteld met behulp van de Oview-programmeereenheid. De onderhoudswaarschuwing wordt gesignaleerd via het knipperlicht Flash of de onderhoudsverklikker, afhankelijk van het type programmering. Een overzicht van de signaleringen van het knipperlicht Flash en de onderhoudsverklikker vindt u in **tabel 10**.

#### • Controle van het aantal uitgevoerde manoeuvres

Om het aantal uitgevoerde manoeuvres te kunnen controleren moet men beschikken over de Oview-programmeereenheid; parameters kunnen worden gecontroleerd bij het punt "Onderhoud".

#### • Op nul zetten van de teller van de manoeuvres

Het op nul zetten van het aantal manoeuvres moet aan het eind van de onderhoudsfase van de automatisering worden uitgevoerd door **uitschakeling** van de functie "Onderhoudsverklikker" voor de LIGHT-uitgang.

**Opmerking** – **Ontkoppel tijdelijk de inrichting die verbonden is met de uitgang 1 LIGHT.**

Procedure voor activering van de Onderhoudsverklikker (wanneer deze nog niet actief is):

01. Houd de toets "Set" ongeveer 3 seconden ingedrukt;
02. Laat de toets los wanneer de led "L1" begint te knipperen;
03. Druk op de toets "▲" of "▼" om van de knipperende led over te schakelen op led L4 (ingangs-led "LIGHT-uitgang");
04. Houd de toets "Set" ingedrukt tot punt 07 is afgewerkt;
05. Wacht ongeveer 3 seconden tot de geprogrammeerde uitgangs-led gaat branden;
06. Druk op de toets "▲" of "▼" om over te schakelen op led L8;
07. Laat de toets "Set" los en wacht op de time-out van de programmeringsprocedure.

Procedure voor deactivering van de Onderhoudsverklikker (wanneer deze al actief is):

01. Houd de toets "Set" ongeveer 3 seconden ingedrukt;
02. Laat de toets los wanneer de led "L1" begint te knipperen;
03. Druk op de toets "▲" of "▼" om van de knipperende led over te schakelen op led L4 (ingangs-led "LIGHT-uitgang");
04. Houd de toets "Set" ingedrukt tot punt 07 is afgewerkt;

**TABEL 10**

Aantal manoeuvres	Knipperlicht Flash	Lampje onderhoud
Minder dan 80% van de limiet	Normaal (0,5 sec. aan - 0,5 sec. uit)	Aan gedurende 2 sec. aan het begin van de openingsmanoeuvre
Tussen 81% en 100% van de limiet	Aan het begin van de manoeuvre blijft hij 2 sec. branden, en vervolgens werkt hij normaal	Knippert voor de hele duur van de manoeuvre
Meer dan 100% van de limiet	Aan het begin en eind van de manoeuvre blijft hij 2 sec branden, vervolgens werkt hij normaal	Knippert altijd

05. Wacht ongeveer 3 seconden tot led L8 gaat branden;
06. Druk op de toets "▲" of "▼" om over te schakelen op een andere led dan L8;
07. Laat de toets "Set" los en wacht op de time-out van de programmerings-procedure.

De onderhoudsverklikker is nu gewist.

Opmerking – Stel de programmering van de LIGHT-uitgang opnieuw in met de te gebruiken inrichting en sluit deze vervolgens weer aan op de uitgang.

### 7.3 - Toevoegen of verwijderen van inrichtingen

Het is op elk moment mogelijk om nieuwe inrichtingen aan te sluiten op de ingang BlueBus en Stop of om aanwezige inrichtingen te verwijderen. Om dit te doen, gaat u als volgt te werk:

01. Houd de toetsen "▲" en "Set" gelijktijdig ingedrukt;
02. (na ongeveer 3 seconden) Laat de toetsen los wanneer de led's L1 en L2 zeer snel beginnen te knipperen;
03. Wacht enkele seconden tot de eenheid de herkenningprocedure van de aangesloten inrichtingen beëindigt;
04. Na afloop van deze fase blijft de led **STOP** branden terwijl de led's L1 en L2 uitgaan (eventueel kunnen de led's L3 en L4 beginnen te knipperen).

Nadat u deze procedure hebt uitgevoerd is het noodzakelijk de eindtest van de automatisering opnieuw uit te voeren, zoals beschreven in hoofdstuk 5.1.

#### 7.3.1 - Ingang Bluebus

Het systeem Bluebus maakt het mogelijk om compatibele inrichtingen aan te sluiten met slechts twee draden, waarover zowel de elektrische stroomvoorziening als de communicatiesignalen lopen. Alle inrichtingen worden parallel aangesloten op dezelfde 2 draden van Bluebus en zonder dat er hierbij polariteit in acht hoeft te worden genomen. Iedere inrichting wordt apart herkend, aangezien er gedurende de installatie een eenduidig adres aan wordt toegekend. Op het systeem Bluebus kunnen fotocellen, veiligheidsinrichtingen, bedieningsinrichtingen als toetsenborden en lezers voor transponder kaarten, signaleringslampje, enzovoort worden aangesloten. Gedurende de zelfleringfase herkent de besturingseenheid alle aangesloten inrichtingen afzonderlijk en is ook in staat om met de grootste zekerheid eventuele aanwezige fouten en storingen te herkennen. Iedere keer dat er een inrichting aan Bluebus wordt toegevoegd of verwijderd, dient namelijk de procedure voor zelflering te worden uitgevoerd, zoals beschreven in paragraaf 4.4.

#### 7.3.2 - Fotocellen

Het systeem Bluebus stelt de besturingseenheid in staat om de fotocellen te herkennen door instelling van de adressering van de betreffende jumpers (zie tabel 11) en staat toe om de correcte waarde van de functie voor obstakeldetectie toe te wijzen. De adressering dient zowel op TX als op RX uitgevoerd te worden (waarbij de jumpers op dezelfde manier geplaatst moeten worden en waarbij u dient na te gaan of er geen andere koppels fotocellen met hetzelfde adres bestaan).

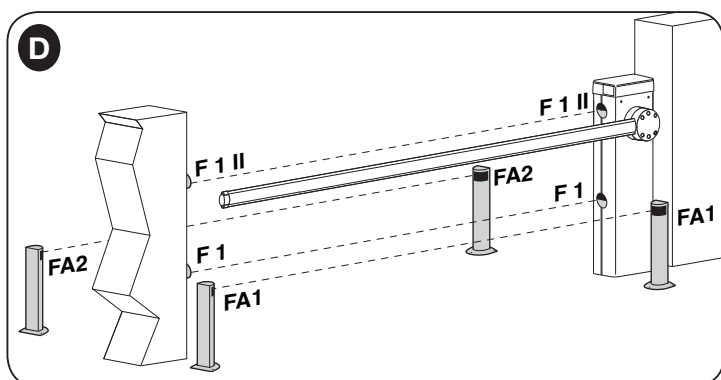
De fotocellen kunnen worden geïnstalleerd zoals wordt weergegeven in **afb. D**. **Belangrijk** – Na het installeren of verwijderen van fotocellen dient er een herkeningsprocedure voor de inrichtingen uitgevoerd te worden, zoals wordt beschreven in paragraaf 4.4.

De fotocel TX of RX kan in de kast van de slagboombarrière worden geïnstalleerd, in de daarvoor bestemde ruimte (**afb. 53**).

Als u de fotocel wilt installeren, gaat u als volgt te werk:

01. Neem de fotocelkaart uit het eigen vak, door deze er met een schroevendraaier uit te wippen (**afb. 53-a**). **LET OP!** - Beschadig de interne elektrische onderdelen niet;
02. Open de voor de fotocellen bestemde box, die in de accessoiredoos te vinden is (**afb. 53-b**);
03. Zet de kaart vast op de bodem van de box (**afb. 53-c**);
04. Maak een gat in het rubber voor het doorvoeren van de elektriciteitskabel (**afb. 53-d**);
05. Leid de elektriciteitskabel en sluit deze aan op de klem van de fotocel (**afb. 53-e**);
06. Sluit de bodem van de box met de deksel af en zorg ervoor dat het rubber op zijn plaats blijft (**afb. 53-f**);
07. Haak de box aan de lens die aanwezig is aan de zijkant van de kast door deze van boven naar beneden aan te brengen (**afb. 53-g**).

**OPMERKING** – Het is mogelijk om op de Bluebus-ingang 2 fotocellen aan te sluiten, met als functie de instructies "open FA1" en "open FA2" (jumper A



TABEL 11 - adressen van de fotocellen

Fotocel	Jumpers	
FOTO	Fotocel h = 50 die bij het sluiten in werking treedt	
FOTO II	Fotocel h = 100 die bij het sluiten in werking treedt	
FOTO 1	Fotocel h = 50 die bij het sluiten in werking treedt	
FOTO 1 II	Fotocel h = 100 die bij het sluiten in werking treedt	
FOTO 2	Fotocel met activering in openingsmanoeuvre (keert om naar sluiten)	
FOTO 2 II	Fotocel met activering in openingsmanoeuvre (keert om naar sluiten)	
FOTO 3	Enkele fotocel met activering zowel in openings- als in sluitmanoeuvre	
FA1	Fotocel voor openingsinstructie (jumper A aan de achterkant van de kaarten TX en RX doorknippen)	
FA2	Fotocel voor openingsinstructie (jumper A aan de achterkant van de kaarten TX en RX doorknippen)	

aan de achterzijde van de kaarten TX en RX moet worden doorgesneden). Wanneer deze fotocellen worden geactiveerd, verstuurt de besturingseenheid een instructie voor een openingsmanoeuvre. Zie voor meer informatie de instructiehandleiding van de fotocellen.

#### 7.3.3 - Digitale codeschakelaar MOTB en proximity lezer voor transponder cards MOMB

Het systeem Bluebus laat aansluiting van maximaal 4 digitale codeschakelaars MOTB of 4 lezers van transponder kaarten MOMB toe.

Met MOTB is het mogelijk de automatisering aan te sturen door op het toetsenbord één van de opgeslagen nummercombinaties in te voeren.

Met MOMB stuurt u de automatisering aan door de opgeslagen transponder kaart eenvoudigweg voor de sensor te houden.

Deze inrichtingen zijn voorzien van een eenduidige code die gedurende de zelflering van alle aangesloten inrichtingen door de besturingseenheid wordt herkend en opgeslagen (zie paragraaf 4.4).

Op deze manier wordt iedere frauduleuze poging tot vervanging van een inrichting voorkomen en zal geen enkele onbevoegde persoon de automatisering kunnen bedienen. Zie voor meer informatie de instructiehandleiding van MOTB en MOMB.

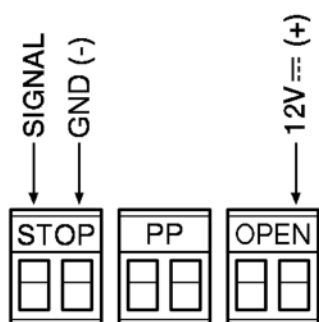
#### 7.3.4 - Ingang STOP

De functie van de ingang STOP is de lopende manoeuvre onmiddellijk te stoppen, gevolgd door een korte omkering. Op deze ingang kunnen de inrichtingen met uitgang met normaal open contact "NA", normaal gesloten contact "NC", OPTO SENSOR of inrichtingen met uitgang met constante weerstand 8,2 kΩ (contactlijsten) worden aangesloten. Gedurende de zelflering herkent de besturingseenheid het type inrichting dat is aangesloten en veroorzaakt een STOP wanneer er zich een variatie ten opzichte van de aangeleerde status voordoet. Door het uitvoeren van de juiste handelingen kunt u op de STOP-ingang meer dan één inrichting aansluiten, ook al zijn die niet van het hetzelfde type:

- Er kunnen meerdere NA inrichtingen parallel worden aangesloten, zonder beperking van de aantallen;
- Er kunnen meerdere NC-inrichtingen in serie worden aangesloten, zonder beperking van de aantallen;
- Er kunnen twee inrichtingen met uitgang met constante weerstand 8,2 kΩ parallel worden aangesloten; als er meer dan 2 inrichtingen zijn, moeten alle richtingen "in cascade" worden aangesloten, met een enkele eindweerstand van 8,2 kΩ;
- Ook is een combinatie van NA en NC mogelijk, door de 2 contacten parallel te schakelen. In dit geval dient u een weerstand van 8,2 kΩ in serie te schakelen met het contact NC; dit maakt ook de combinatie van 3 inrichtingen mogelijk: NA, NC en 8,2 kΩ.

**Let op** – Indien de ingang STOP gebruikt wordt voor het aansluiten van inrich-

E



tingen met een veiligheidsfunctie, moeten dit inrichtingen met een uitgang met constante weerstand 8,2 kΩ zijn of optische inrichtingen OPTO SENSOR, die een afdoende niveau van beveiliging tegen storingen garanderen.

Voor de aansluiting van een inrichting van het optische type OPTO SENSOR brengt u de aansluitingen tot stand zoals getoond in **afb. E**; de maximumstroom die geleverd wordt op de 12 Vcc-lijn, is 40 mA.

#### 7.4 - Diagnostiek

Bepaalde inrichtingen geven signaleringen af aan de hand waarvan de werkingstatus of eventuele storingen herkend kunnen worden.

##### 7.4.1 - Signaleringen van de besturingseenheid

De led's van de klemmen en van de toetsen op de besturingseenheid (afb. 52) geven bepaalde signaleringen zowel om de normale werking als om eventuele storingen te signaleren. In **tabel 12** en **13** worden de oorzaak en oplossing voor de verschillende signaleringen beschreven.

**TABEL 12 - Led's van de klemmen op de besturingseenheid**

Led Bluebus	Oorzaak	Oplossing
Uit	Storing	Controleer of er stroomtoevoer is, controleer of de zekeringen niet in werking zijn getreden; als dit wel is gebeurd, de oorzaak van de storing achterhalen en de zekeringen vervolgens vervangen door andere exemplaren met dezelfde stroomwaarde.
Aan	Ernstige storing	Er is een ernstige storing opgetreden; probeer de besturingseenheid enkele seconden uit te zetten; als deze status niet verandert, is er een defect en dient de elektronische kaart vervangen te worden.
1 knippering per seconde	Alles OK	Normale werking van de besturingseenheid.
2 snelle knipperingen	Er is een verandering in de status van de ingangen opgetreden	Dit is normaal als er sprake is van een verandering in een van deze ingangen: PP, STOP, OPEN, CLOSE, activering van de fotocellen of wanneer de radiozender gebruikt wordt.
Serie knipperingen, onderbroken door	Diversen	Dit is dezelfde signalering als op het knipperlicht van 1 seconde een pauze (zie Tabel 15)
Led STOP	Oorzaak	Oplossing
Uit	Activering van de ingang STOP	Controleer de inrichtingen die verbonden zijn met de ingang STOP
Aan	Alles OK	Ingang STOP actief
Led PP	Oorzaak	Oplossing
Uit	Alles OK	Ingang PP niet actief
Aan	Activering van de ingang PP	Is normaal als de met de ingang PP verbonden inrichting daadwerkelijk actief is
Led OPEN	Oorzaak	Oplossing
Uit	Alles OK	Ingang OPEN niet actief
Aan	Activering van de ingang OPEN	Is normaal als de met de ingang OPEN verbonden inrichting daadwerkelijk actief is
Led CLOSE	Oorzaak	Oplossing
Uit	Alles OK	Ingang CLOSE niet actief
Aan	Activering van de ingang CLOSE	Is normaal als de met de ingang CLOSE verbonden inrichting daadwerkelijk actief is
Led eindaanslag FC1	Oorzaak	Oplossing
Uit	Eindaanslag geactiveerd	- Als de parameter "Draairichting motor standaard" is ingesteld, bevindt de slagboom zich in de stand van volledig gesloten. - Als de parameter "Draairichting motor omgekeerd" is ingesteld, bevindt de slagboom zich in de stand van volledig open.
Aan	Eindaanslag niet geactiveerd	- Als de parameter "Draairichting motor standaard" is ingesteld, bevindt de slagboom zich in een andere stand dan volledig gesloten. - Als de parameter "Draairichting motor omgekeerd" is ingesteld, bevindt de slagboom zich in een andere stand dan volledig open.
Led eindaanslag FC2	Oorzaak	Oplossing
Uit	Eindaanslag geactiveerd	- Als de parameter "Draairichting motor standaard" is ingesteld, bevindt de slagboom zich in de stand van volledig open. - Als de parameter "Draairichting motor omgekeerd" is ingesteld, bevindt de slagboom zich in de stand van volledig gesloten.
Aan	Eindaanslag niet geactiveerd	- Als de parameter "Draairichting motor omgekeerd" is ingesteld, bevindt de slagboom zich in een andere stand dan volledig gesloten. - Als de parameter "Draairichting motor omgekeerd" is ingesteld, bevindt de slagboom zich in een andere stand dan volledig gesloten.
Led-encoder	Oorzaak	Oplossing
Aan	De magneet bevindt zich voor de sensor	Als er geen manoeuvre actief is, is dit normaal; anders is er sprake van een defect in de decoder of is de kabel niet goed aangesloten
Uit	De magneet bevindt zich niet voor de sensor	Als er geen manoeuvre actief is, is dit normaal; anders is er sprake van een defect in de decoder of is de kabel niet goed aangesloten
Knipperlicht	Manoeuvre actief	Alles OK als er een manoeuvre actief is; de frequentie van het knipperlicht is afgestemd op de snelheid <i>Opmerking – Tijdens de uitvoering van de manoeuvre kan snel knipperlicht eruit zien als een ononderbroken brandende led.</i>

**TABEL 13 - Led's van de toetsen op de besturingseenheid**

<b>Led 1</b>	<b>Beschrijving</b>
Uit	Bij normaal functioneren geeft dit aan dat "Automatisch sluiten" niet actief is.
Aan	Bij normaal functioneren geeft dit aan dat "Automatisch sluiten" actief is.
Knippert	<ul style="list-style-type: none"> <li>• Programmering van de functies in uitvoering,</li> <li>• Als het ledlampje tegelijk met L2 knippert, betekent dit dat de procedure voor het herkennen van inrichtingen moet worden uitgevoerd (zie paragraaf 4.4).</li> </ul>
Snel knipperen	Na het starten van de besturingseenheid duidt dit op een geheugenfout met betrekking tot de <u>aangesloten inrichtingen</u> . Tegelijk geeft de led "Bluebus" een diagnosesignalering: 5 knipperingen - pauze van 1 seconde - 5 knipperingen. In dit geval moet de procedure voor zelflering van de inrichtingen (zie paragraaf 4.4) of voor het wissen van het geheugen worden uitgevoerd (zie paragraaf 7.1).
<b>Led 2</b>	<b>Beschrijving</b>
Uit	Bij normaal functioneren geeft dit aan dat "Terugloop na Foto" niet actief is.
Aan	Bij normaal functioneren geeft dit aan dat "Terugloop na Foto" actief is.
Knippert	<ul style="list-style-type: none"> <li>• Programmering van de functies in uitvoering</li> <li>• Als het ledlampje tegelijk met L1 knippert, betekent dit dat de procedure voor het herkennen van inrichtingen moet worden uitgevoerd (zie paragraaf 4.4).</li> </ul>
Snel knipperen	Na het starten van de besturingseenheid duidt dit op een geheugenfout met betrekking tot de <u>afstandswaarden</u> . Tegelijk geeft de led "Bluebus" een diagnosesignalering: 5 knipperingen - pauze van 1 seconde - 5 knipperingen. In dit geval moet de procedure voor zelflering van de openings- en sluitposities (zie paragraaf 4,5) of voor het wissen van het geheugen worden uitgevoerd (zie paragraaf 7.1).
<b>Led 3</b>	<b>Beschrijving</b>
Uit	Bij de normale functionering geeft dit aan dat "Altijd sluiten" niet actief is.
Aan	Bij de normale functionering geeft dit aan dat "Altijd sluiten" actief is.
Knippert	<ul style="list-style-type: none"> <li>• Programmering van de functies in uitvoering</li> <li>• Als het ledlampje tegelijk met L4 knippert, betekent dit dat de procedure voor het herkennen van de posities van openen en sluiten van de vleugel moet worden uitgevoerd (zie paragraaf 4.5).</li> </ul>
Snel knipperen	Na het starten van de besturingseenheid duidt dit op een geheugenfout met betrekking tot de <u>parameters en configuraties</u> . Tegelijk geeft de led "Bluebus" een diagnosesignalering: 5 knipperingen - pauze van 1 seconde - 5 knipperingen. In dit geval is het nodig het geheugen (zie paragraaf 8.1), de herkenning van de aangesloten inrichtingen (zie paragraaf 4.4) en de herkenning van de posities van openen en sluiten (zie paragraaf 4.5) te wissen.
<b>Led 4</b>	<b>Beschrijving</b>
Uit	Bij normaal functioneren geeft dit aan dat "Stand-By" niet actief is.
Aan	Bij normaal functioneren geeft dit aan dat "Stand-By" actief is.
Knippert	<ul style="list-style-type: none"> <li>• Programmering van de functies in uitvoering</li> <li>• Als het ledlampje tegelijk met L3 knippert, betekent dit dat de procedure voor het herkennen van de posities van openen en sluiten van de vleugel moet worden uitgevoerd (zie paragraaf 4.5).</li> </ul>
Snel knipperen	Er is kortsluiting opgetreden of er is sprake van overbelasting in één van de 3 klemuitgangen. Controleer de aansluitingen en inrichtingen die op de verschillende uitgangen zijn aangesloten.
<b>Led 5</b>	<b>Beschrijving</b>
Uit	Bij normale functionering geeft dit aan dat "Korte vertraging" actief is.
Aan	Bij normale functionering geeft dit aan dat "Lange vertraging" actief is.
Knippert	Programmering van de functies in uitvoering.
Snel knipperen	Er is sprake van een fout in de encoder voor het tellen omdat één of meerdere magneten niet worden geteld of omdat de kabel niet is aangesloten of omdat het de derde opeenvolgende manoeuvre is waarbij de functie "Obstakeldetectie" geactiveerd wordt. Controleer of alle magneten gelezen worden en of de kabel aangesloten en in goede staat is.
<b>Led 6</b>	<b>Beschrijving</b>
Uit	Bij normaal functioneren geeft dit aan dat "Voorwaarschuwing" niet actief is.
Aan	Bij normaal functioneren geeft dit aan dat "Voorwaarschuwing" actief is.
Knippert	Programmering van de functies in uitvoering.
Snel knipperen	<ul style="list-style-type: none"> <li>- De eindaanslagen zijn omgekeerd. Keer de bekabeling van de eindaanslagen om of controleer of de parameter "Draairichting van de motor" wel is ingesteld.</li> <li>- Na verzending van een instructie tot beweging, is de eindaanslag niet binnen de ingestelde tijd vrijgekomen: controleer of de beweging belemmers wordt en schakel zo nodig de functie "start" in.</li> </ul>
<b>Led 7</b>	<b>Beschrijving</b>
Uit	Bij normale functionering geeft dit aan dat "Gevoeligheid stroommeting" niet actief is.
Aan	Bij normale functionering geeft dit aan dat "Gevoeligheid stroommeting" actief is.
Knippert	Programmering van de functies in uitvoering.
Snel knipperen	Fout in de Master/Slave-communicatie. Controleer of de kabel is aangesloten of controleer de polariteit van de Master/Slave-verbindingkabel of controleer of de Master/Slave-herkenningsfase voor beide eenheden is uitgevoerd (zie paragraaf 7.6 – "Master/Slave")
<b>Led 8</b>	<b>Beschrijving</b>
Uit	Bij de normale functionering geeft dit aan dat de sluiting van de slagboom naar links is ingesteld.
Aan	Bij de normale functionering geeft dit aan dat de sluiting van de slagboom naar rechts is ingesteld.
Knippert	Programmering van de functies in uitvoering.
Snel knipperen	Fout versie barrière. Het type barrière komt niet overeen met het type dat in het geheugen van de eenheid is opgeslagen. Controleer of de kabelversie in goede staat is en juist is aangesloten. Als de fout zich blijft voordoen, voert u de procedure voor het wissen van het geheugen en een nieuwe installatie uit.

## 7.4.2 - Signaleringen van het knipperlicht

Indien met de uitgang FLASH op de besturingseenheid een knipperlicht wordt verbonden (of het led-knipperlicht (optionele accessoire) wordt gebruikt) knippert dit tijdens uitvoering van een manoeuvre met tussenpauzen van 1 seconde. Als er zich een storing voordoet, zal het knipperlicht korter knipperen, het

licht knippert tweemaal, waarna er een pauze van 1 seconde is. Dezelfde signaleringen worden ook gegeven door het led-knipperlicht (optionele accessoire) en door de led "Bluebus". In **tabel 14** vindt u een beschrijving van de oorzaak en oplossing voor de verschillende signaleringen.

TABEL 14

Functie	Waarden	Standaard
1 knippering pauze van 1 seconde 1 knippering	Fout Bluebus systeem	De controle van de inrichtingen die zijn aangesloten op het Bluebus systeem, die aan het begin van de manoeuvre wordt uitgevoerd, stemt niet overeen met de inrichtingen die gedurende de zelfleringfase werden opgeslagen. Het is mogelijk dat er kapotte inrichtingen aanwezig zijn, u dient dit te controleren en de inrichtingen te vervangen. Als er wijzigingen zijn aangebracht, dient de zelflering van de inrichtingen te worden herhaald (zie paragraaf 4.5).
2 knipperingen pauze van 1 seconde 2 knipperingen	Er is een fotocel in werking getreden	Aan het begin van de manoeuvre geven één of meer fotocellen geen toestemming voor de beweging; controleer of er obstakels aanwezig zijn.
3 knipperingen pauze van 1 seconde 3 knipperingen	Activering van de beperking van de "Motorkracht"	Gedurende de beweging heeft de slagboom meer wrijving onderzonden, ga na wat hiervan de oorzaak is.
4 knipperingen pauze van 1 seconde 4 knipperingen	Activering van de ingang STOP	Aan het begin van de manoeuvre of gedurende de beweging is er een activering geweest van de ingang STOP; ga na wat hiervan de oorzaak is.
5 knipperingen pauze van 1 seconde 5 knipperingen	Fout in de interne parameters van de besturingseenheid	Schakel de stroomtoevoer uit en vervolgens weer in. Als de fout zich blijft voordoen, voert u de procedure "Volledig wissen van het geheugen" uit, zoals beschreven in hoofdstuk 7.1, en voert u vervolgens de installatie opnieuw uit; als de status onveranderd blijft, is er mogelijk sprake van een ernstig defect en moet de elektronica worden vervangen.
6 knipperingen pauze van 1 seconde 6 knipperingen	Niet gebruikt	—
7 knipperingen pauze van 1 seconde 7 knipperingen	Fout in de interne elektrische circuits	Koppel alle voedingscircuits gedurende enkele seconden af en probeer vervolgens opnieuw een instructie te verzenden; als de status niet verandert, is er mogelijk een ernstige storing op de kaart of op de aansluitingen van de motor. Controleer en vervang de betreffende onderdelen zo nodig.
8 knipperingen pauze van 1 seconde 8 knipperingen	Niet gebruikt	—
9 knipperingen pauze van 1 seconde 9 knipperingen	Blokkering van de automatisering	Verstuur de instructie "Ontgrendel automatisering" of stuur de manoeuvre aan met "Stap-voor-stap hoge prioriteit".

## 7.5 - Loop Detector

De besturingseenheid heeft twee circuits die bedoeld zijn voor de detectie van metalen massa's (motorfietsen, auto's, vrachtwagens, enzovoort); elk circuit kan worden aangevuld met het gebruik van een inductiespiraal, bestaande uit 1 unipolaire kabel, die op een diepte van enkele centimeters onder het terrein moet worden geplaatst.

### 7.5.1 - Werking

Wanneer de besturingseenheid een variatie in frequentie detecteert als de detectiespiraal door er een metalen massa wordt gepasseerd, activeert deze een manoeuvre of een uitgang (uitgang 1, 2, 3) om het knipperlicht, het controlelampje barrière open of de lichten voor de slagboom te activeren. De fabrieksinstelling geeft opdracht voor een openingsmanoeuvre voor de slagboom; zolang de detectielus actief is, kan er geen opdracht tot een sluitmanoeuvre worden gegeven. Wanneer de eenheid op de voeding wordt aangesloten, wordt er een kalibratie uitgevoerd, wat betekent dat de werksfrequentie van elke detectiespiraal wordt gemeten; na 30 seconden wordt het circuit automatisch uitgeschakeld. De "gevoeligheid van detectie van metalen massa's" kan op 8 niveaus worden ingesteld (zie tabel 7 hoofdstuk 6). De fabrieksinstelling is 90%. Via de Oview-programmeereenheid kunt u andere aan Loop Detector gekoppelde werksparameters en -modi wijzigen. De volgende programmeringen zijn mogelijk voor de waarden (zie ook **tabel 15**):

- **Gevoeligheid Loop:** stelt de minimale frequentievariatie van de metalen massa in die nodig is om de manoeuvre in gang te zetten. Verwijzingsparameters:
  - stel een "hoge gevoeligheid" in voor detectie van metalen massa's met kleine afmetingen
  - stel een "lage gevoeligheid" in voor detectie van metalen massa's met grote afmetingen.
- **Voeding Loop:** schakelt de circuits van de Loop Detector in of uit.
- **Schakelt loop 1, 2 in:** l'activering van de detectielus zet de beweging van de slagboombarrière in gang op basis van de ingestelde werksmodi. Als de functie UITGESCHAKELD wordt, is de status van de detectielus beschikbaar en kan een van de uitgangen (uitgang 1, 2, 3) op de besturingseenheid met de Oview-programmeereenheid geprogrammeerd worden.
- **Werkingsstijd detectielus:** de tijd dat de detectielus bezet is. Als deze tijd

verstreken is, wordt er automatisch een herkalibratie in gang gezet om aan te geven dat de detectielus vrij is.

- **Werksmodus loop:** als de functie "Loop inschakelen" is ingeschakeld en het instructiesignaal detectielus ACTIEF is, varieert het gedrag van de slagboombarrière al naar gelang de ingestelde "werksmodus loop":
  - alleen openen (woonblok openen)
  - alleen sluiten
  - halt
  - foto sluiten (FOTO met volledige omkering). **LET OP! – De als "foto sluiten" geconfigureerde lus is geen veiligheidsvoorziening; bijgevolg is de tussenkomst niet in alle omstandigheden gegarandeerd. De centrale voert in het bijzonder bij iedere start een kalibratie uit, waarbij rekening wordt gehouden met de afwezigheid van enige metalen massa boven de lussen.**
- **Kalibratie:** start een kalibratieprocedure (herkenning van de aangesloten detectiespiraal). Opmerking: de kalibratie schakelt automatisch de parameter "Voeding loop" in.
- **Activeringsmodi:** zie **tabel 16** (relais = instructiesignaal detectielus).
- **Activeringstijd Loop:** dit is de tijd "t" die is gekoppeld aan de werksmodi die worden beschreven in **tabel 16**.
- **Weergave frequentie detectiespiralen:** signaleert de oscillatiefrequentie van de geselecteerde detectielus in Hz.

### 7.5.2 - Installatie

#### WAARSCHUWINGEN

- Het verdient aanbeveling de magnetische detectielus in de nabijheid van de slagboombarrière te installeren.
- De elektriciteitskabels van de magnetische detectielussen moeten van andere kabels in de slagboombarrière (voeding, accessoires, enzovoort) worden gescheiden.
- Als de magnetische detectielussen op verschillende slagboombarrières zijn aangesloten, moeten deze ten minste 1 m van elkaar af worden geplaatst.
- **Belangrijk!** – De magnetische detectielus moet zodanig worden vastgezet dat deze niet kan bewegen, aangezien eventuele bewegingen die door een instabiele ondergrond worden veroorzaakt, onterechte activeringen in gang zouden kunnen zetten.
- De afmeting van de detectielus moet gekoppeld zijn aan de toepassing; houd

er rekening mee dat de detectielus op een afstand van ten minste 20 cm van vaste metalen voorwerpen moet worden geplaatst, en op 1 m van bewegende metalen voorwerpen (afb. F). Opmerking – Voor een optimale werking verdient het aanbeveling een detectielus te gebruiken met afmetingen die kleiner zijn dan die van het voorwerp dat gedetecteerd moet worden.

- De detectielus die voor de passage van auto's en vrachtwagen wordt gebruikt, is doorgaans rechthoekig van vorm en wordt onder een hoek van 45° ten opzichte van de rijbaan voor de passage van fietsen en motorfietsen geplaatst (afb. G). Opmerking – Het verdient aanbeveling om de hoeken onder een hoek van 45° ten opzichte van het spoor op de ondergrond af te snijden om te voorkomen dat de kabel breekt.

**• BELANGRIJK – TER PREVENTIE VAN INTERFERENTIE MOETEN DE VERBINDINGSKABELS VAN DE DETECTIELUS TEN MINSTE 20 MAAL PER METER GETWIST WORDEN EN MOGEN ER GEEN VERBINDINGSSTUKKEN AANWEZIG ZIJN.** Als het nodig is de kabel te verlengen, soldeert u de geleiders en dicht u deze af met een thermisch krimpende mantel. **De getwiste kabel moet minder dan 20 m lang zijn.**

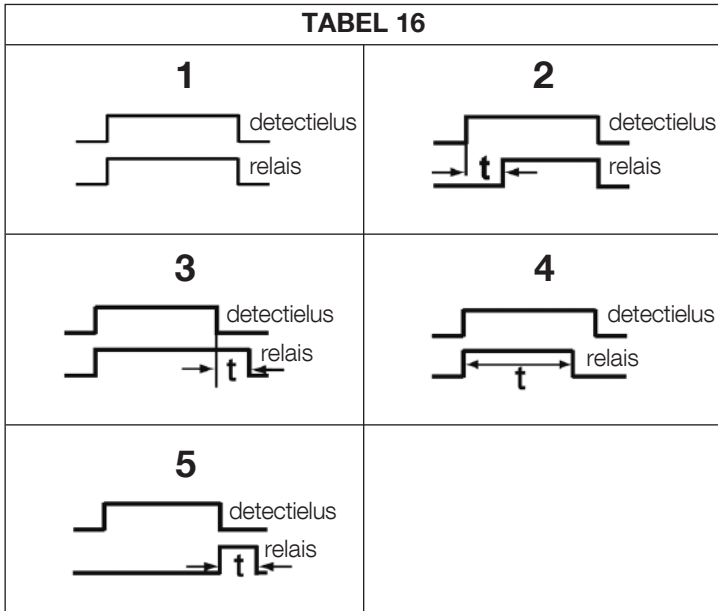
- Nadat u de afmetingen van de detectielus hebt vastgesteld, graaft u een geul in de grond met een breedte van 8 mm en een diepte van 30-50 mm (afb. H);
- Maak de geul schoon en plaats de detectielus in; probeer de lus daarbij

- plat te drukken zodat deze niet kan bewegen;
- Voer het aantal wikkelingen van de detectielus uit dat nodig is voor de omtrek, zoals aangegeven in **tabel 17**: gebruik een unipolaire kabel van geïsoleerd koper met een diameter van 1,5 mm<sup>2</sup> (afb. H);
- Voordat u de geul afdicht, controleert u op de waarde van de inductielus tussen 100 en 400 uH valt, of controleert u met de Oview-programmeer-eenheid of de waarde van de gemeten frequentie (parameter "Frequentie Loop") tussen 30 en 90 KHz valt;
- Bedek de detectielus met zand om deze te beschermen en dicht de geul vervolgens af met bitumen of hars voor buitentoepassingen (afb. H). **Let op!** – De temperatuur van het dichtmiddel mag niet hoger zijn dan de maximaal toegestane temperatuur voor de isolatie van de kabel, omdat er anders isolatieverlies naar de aarde zou kunnen optreden.
- De elektriciteitskabels moeten worden aangesloten op de klemmetjes **Loop1 (afb. I)** en **Loop2 (afb. L)**. Het klemmetje Loop2 biedt 2 verbindingsmogelijkheden (afb. L); al naar gelang het gebruikte verbindingstype varieert de werkingsfrequentie van de detectielus. **Let op!** – Als detectielus Loop1 in de nabijheid van detectielus Loop2 wordt geplaatst en beide (nagenoeg) op dezelfde frequentie werken, kan er sprake zijn van interferentie; in dat geval moet de verbinding met klemmetje Loop2 worden veranderd.

TABEL 15

Functie	Waarden	Standaard
Gevoeligheid loop 1	10 – 100%	90%
Gevoeligheid loop 2	10 – 100%	90%
Voeding loop	aan – uit	aan
Activeert loop 1	aan – uit	aan
Activeert loop 2	aan – uit	aan
Werkingsmodus loop 1	selecteerbaar	open
Werkingsmodus loop 2	selecteerbaar	open
Werkingsduur detectielus 1	2 – 20 = altijd	20 = altijd
Werkingsduur detectielus 2	2 – 20 = altijd	20 = altijd
Functie uitgang 1, 2, 3: Activeert uit (1,2,3) voor loop 1	selecteerbaar	off
Functie uitgang 1, 2, 3: Activeert uit (1,2,3) voor loop 2	selecteerbaar	off
kalibratie [ook uitgevoerd bij opstarten]	aan – uit	
Activeringsmodus* loop 1: Tijd loop 1	1 – 5 0 – 25 s	1 2s
Activeringsmodus* loop 2: Tijd loop 2	1 – 5 0 – 25 s	1 2s
Weergave frequentie detectielus 1	0 – 100000	-
Weergave frequentie detectielus 2	0 – 100000	-

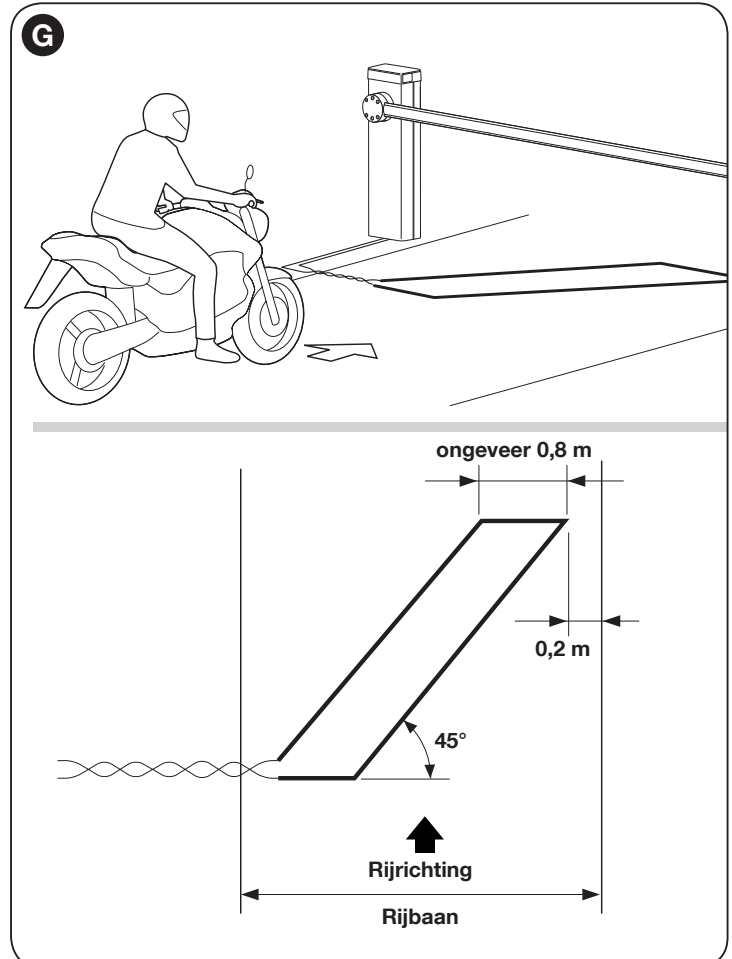
TABEL 16

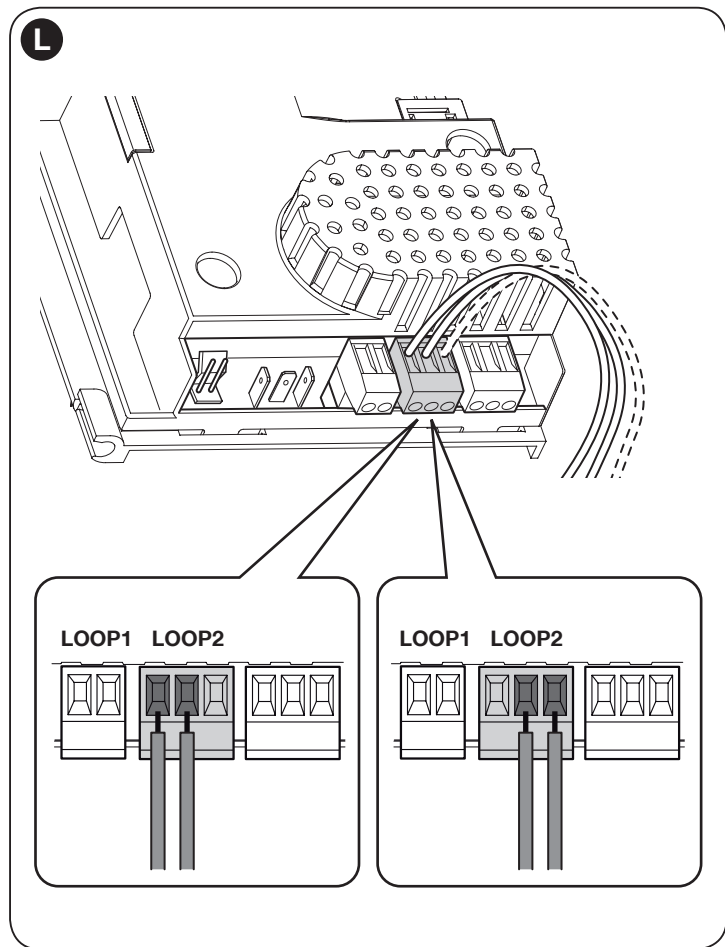
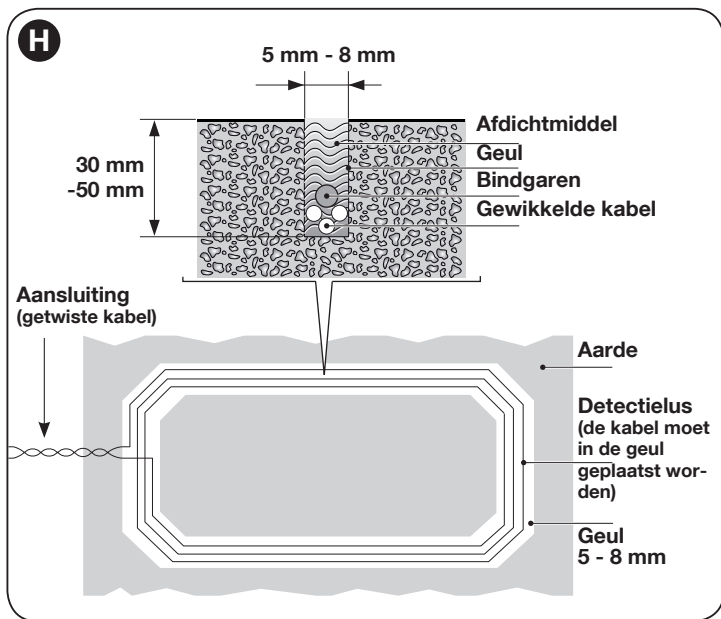
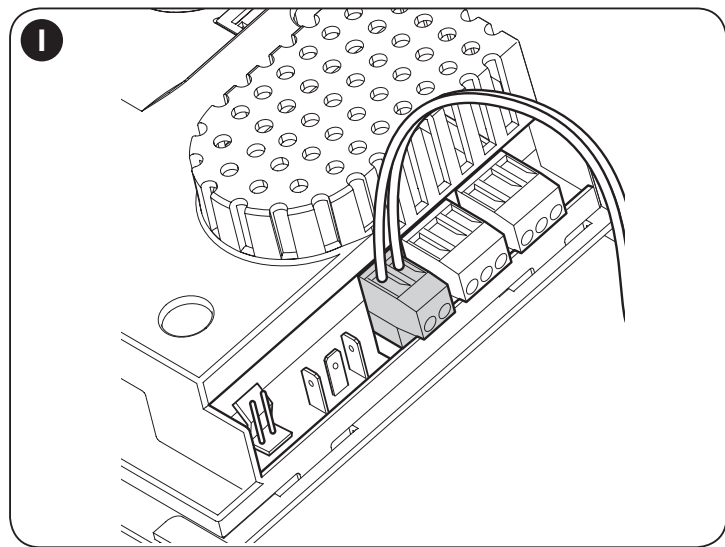
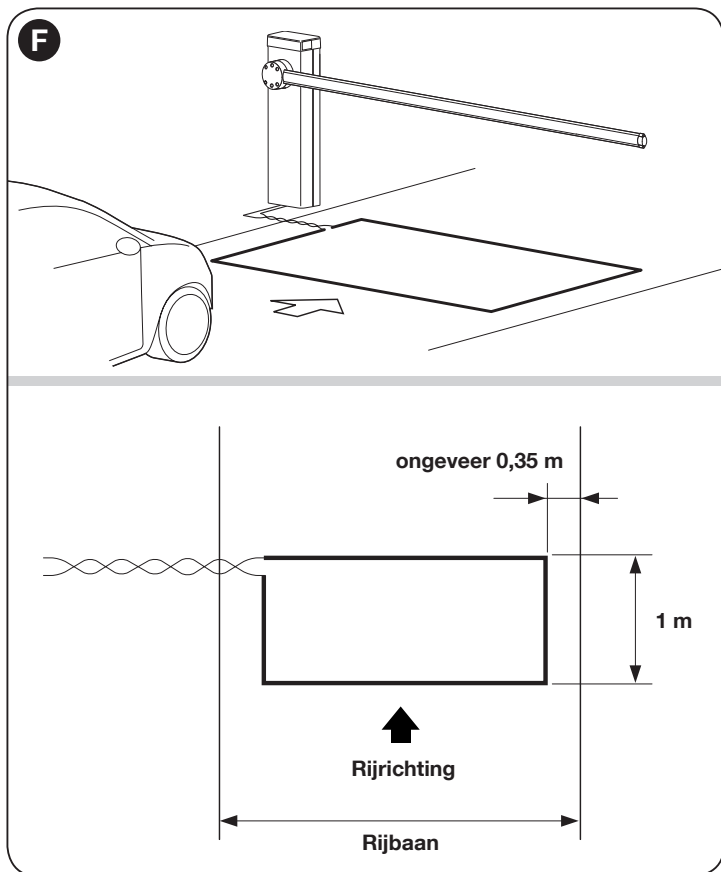


TABEL 17

Omtrek van de detectielus	Aantal uit te voeren wikkelingen
2 – 4 m	6
4 – 7 m	5
7 – 12 m	4
meer dan 12 m	3

**Opmerking** – Als er op de plaats van installatie van de detectielus mogelijk metalen wapeningen onder de ondergrond aanwezig zijn, wordt het geleidingsvermogen van de detectielus lager. In dat geval moeten er 2 wikkelingen van de kabel worden toegepast





## 7.6 - Modus Master - Slave

Deze werkwijze wordt gebruikt als er 2 tegenover elkaar gelegen slagboombarrières nodig zijn, die de bewegingen synchroon uitvoeren. In deze modus fungeert één barrière als Master (meester), wat wil zeggen deze de manoeuvres aanstuurt, terwijl de tweede als Slave fungeert, wat wil zeggen dat deze de door de Master-slagboombarrière verstuurde instructies uitvoert; als fabrieksinstelling zijn alle slagboombarrières als Master ingesteld.

Voor het configureren van de slagboombarrière als Slave dient u de functie van het eerste niveau "Modus Slave" te activeren (zie tabel 7). De verbinding tussen Master en Slave wordt tot stand gebracht met BusT4 en de speciale Master/Slave-connector.

**Let op! – Als de Oview-programmeereenheid wordt gebruikt, moet de parameter "Groep" of "Adres" van een van de 2 barrières worden gewijzigd. Dit is om gelijktijdige communicatie van de 2 eenheden met de Oview-programmeereenheid te voorkomen.**

### 7.6.1 - Installatie en elektrische aansluitingen

#### Waarschuwingen

- Alle inrichtingen dienen op de Master-slagboombarrière aangesloten te worden, met inbegrip van de radio-ontvanger.
- Als de bufferbatterij wordt gebruikt moet elke slagboombarrière een eigen bufferbatterij hebben;
- In de **Slave**-slagboombarrière kunnen de volgende verbindingen tot stand

worden gebracht:

- een eigen knipperlicht (Flash)
- een eigen controlelampje Poort Open] (S.C.A.)
- Lichten slagboom
- een eigen contactlijst (Stop)
- een eigen aansturingseinrichting (P.P.) die de algehele opening alleen van de vleugel Slave aanstuurt
- de ingangen Open en Close worden niet gebruikt
- de ingangen Loop1 en Loop2 geprogrammeerd met modus "Open"
- de radio-ontvanger

Als u 2 slagboombarrières wilt installeren en deze in de modus "Master - Slave" wilt programmeren, gaat u als volgt te werk:

- 01.** Voer de installatie van de 2 slagboombarrières uit (**afb. M**).  
het is niet van belang welke van de twee als Master en welke als Slave fungeert; kijk welke elektriciteitsverbindingen het makkelijkst tot stand kunnen worden gebracht en zorg ervoor dat de instructie "Stap-voor-Stap", dat door de Slave-slagboombarrière zal worden uitgevoerd, **alleen** volledige opening van de Slave-slagboom toestaat;
- 02.** Sluit de twee besturingseenheden op elkaar aan met behulp van de Master/Slave-connector (**afb. 54**), rekening houdend met de aangegeven polariteit;
- 03.** Nu brengt u de overige elektrische aansluitingen tot stand (**afb. 54**), rekening houdend met de indicaties uit hoofdstuk 4 - Elektrische aansluitingen;
- 04.** Nadat alle elektrische aansluitingen tot stand zijn gebracht, sluit u beide



centrales op elektrische voeding aan en voert u voor beide de procedure uit die wordt beschreven in paragraaf 4.2 -Eerste inschakeling en controle van de aansluitingen.

**Let op! – Als de Oview-programmeereenheid wordt gebruikt, moet de parameter “Groep” of “Adres” op een van de 2 besturingseenheden van de slagboombarrière worden gewijzigd; zo wordt voorkomen dat de 2 besturingseenheden tegelijkertijd met Oview communiceren.**

05. Voer voor de **Slave-slagboombarrière** de volgende programmeringen uit:
- Herkennen van de aangesloten inrichtingen (zie paragraaf 4.4)
  - Zelflering van de openings- en sluitposities (zie paragraaf 4.5)
  - Eventuele instellingen uitvoeren
  - Activeer de parameter “Modus Slave”, zoals beschreven in paragraaf 6.1 - Programmering eerste niveau (AAN-UIT).

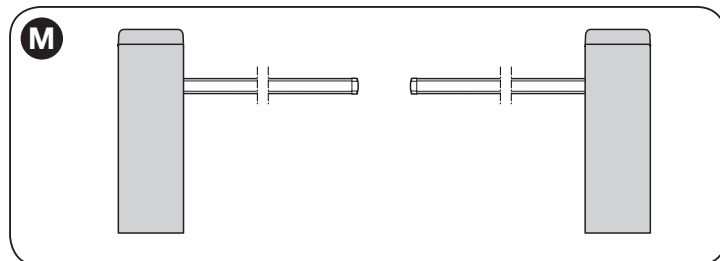
Nu begint led **L7** te knipperen ter signalering van “fout in communicatie Master-Slave” Dit wordt veroorzaakt door het feit dat de koppeling van de Master-barrière met de Slave-barrière nog niet heeft plaatsgevonden.

**Belangrijk!** - Voor de tegenover gelegen slagboombarrière moet voorafgaand aan “Zelflering van de openings- en sluitposities” de **“Draairichting van de motor” worden ingesteld** (parameter L8 - Tabel 7, paragraaf 6.1);

**Belangrijk** – Houd er rekening mee dat alle programmeringen die voor de Slave-slagboombarrière zijn uitgevoerd, tijdens de werking genegeerd zullen worden, omdat de programmeringen van de Master-slagboombarrière voorrang hebben; een uitzondering op deze regel vormen de programmeringen die zijn weergegeven in **tabel 18**, die alleen betrekking hebben op

de Slave-slagboombarrière.

06. Voer voor de **Master-slagboombarrière** de volgende programmeringen uit:
- Herkennen van de aangesloten inrichtingen (zie paragraaf 4.4)
  - Zelflering van de openings- en sluitposities (zie paragraaf 4.5)
  - eventuele instellingen uitvoeren;
07. Verstuur ten slotte **vanaf de Master-besturingseenheid** een instructie voor uitvoering van een manoeuvre en controleer of deze ook door de Slave-slagboombarrière wordt uitgevoerd.



**TABEL 18**

Funcities van het eerste niveau (funcities ON – OFF)	Funcities van het tweede niveau (instel9BARE parameters)
Stand-by	Snelheid Motor
Start	Uitgang Flash
Modus Slave	Led-uitgang
Lange/korte vertraging	Motorkracht
Draairichting motor	Rem

**Opmerking** – Als u de functie “totale stand-by” wilt gebruiken voor de slagboombarrières met Master-Slave-configuratie, moet u de elektrische aansluiting uitvoeren met de connector BusT4 en **niet met de connector Master-Slave**.

## 8 WAT TE DOEN ALS... (leidraad bij het oplossen van de problemen)

Hieronder vindt u een overzicht van eventuele storingen die zich kunnen voordoen gedurende de installatie of de werking, en de mogelijke oplossingen:

- **De radiozender stuurt de poort niet aan en de led op de zender gaat niet branden.** controleer of de batterijen van de zender leeg zijn en vervang ze eventueel.
- **De radiozender stuurt de poort niet aan, maar de led op de zender gaat branden:** controleer of de zender correct in het geheugen van de radio-ontvanger is opgeslagen. Controleer bovendien of de zender het radiosignaal correct uitzendt, door de volgende empirische test uit te voeren: druk op een willekeurige toets van de zender en plaats de led ervan op de antenne van een gewone, ingeschakeld radio en stem af op de FM band op de frequentie 108,5 Mhz of de de frequentie die hier het dichtst bij ligt; op deze manier behoort u een zacht geluid met pulserend gekraak te horen.
- **Bij het versturen van een instructie wordt geen enkele manoeuvre uitgevoerd en de led OK knippert niet:** controleer of de barrière gevoed wordt met 230 V netspanning. Controleer bovendien of de zekeringen F1 en F2 niet onderbroken zijn; in dit geval dient u na te gaan wat de oorzaak hiervan is en de zekeringen te vervangen door andere exemplaren met dezelfde kenmerken, zie **afb. 55**.
- **Bij het versturen van een instructie wordt geen enkele manoeuvre uitgevoerd en het knipperlicht is uit:** controleer of de instructie daadwerkelijk ontvangen wordt; als de instructie binnenkomt op de ingang PP, zal de led OK tweemaal knipperen om te signaleren dat de instructie ontvangen is.
- **De manoeuvre gaat niet van start en het knipperlicht knippert een**

**TABEL 19**

### Diagnostiek met programmerings-led

<b>L1 snel knipperen:</b> fout geheugen inrichtingen
<b>L2 snel knipperen:</b> fout geheugen afstandswaarden
<b>L3 snel knipperen:</b> fout geheugen parameters
<b>L4 snel knipperen:</b> kortsluiting knipperlicht of gebruikerslicht
<b>L5 snel knipperen:</b> fout teller encoder
<b>L6 snel knipperen:</b> fout eindaanslagen omgekeerd of eindaanslag niet vrijgekomen binnen de geprogrammeerde tijd
<b>L7 snel knipperen:</b> fout Master/Slave-communicatie
<b>L8 snel knipperen:</b> fout versie

**aantal malen:** tel hoe vaak het knipperlicht knippert en zoek de betekenis hiervan op in **tabel 19**.

- **De manoeuvre wordt uitgevoerd maar korte tijd erna blokkeert de slagboom en voert een korte omkering uit:** mogelijk is de waarde van de geselecteerde kracht te laag ingesteld om de slagboom te kunnen bewegen. Controleer of de slagboom goed uitgebalanceerd is, stel eventueel een hogere waarde in voor de kracht. **De waarde voor gevoeligheid kan te hoog zijn:** verlaag de waarde voor gevoeligheid. Als de signalering tijdens de vertraging-fase optreedt, moet u de remkracht verlagen.
- **De manoeuvre wordt op lage snelheid uitgevoerd:** de manoeuvre start niet vanaf een van de eindaanslage of de besturingseenheid herkent de eindaanslag niet. Controleer de elektrische aansluiting van de eindaanslag.
- **De Slave-slagboombarrière voert de manoeuvre niet uit:** controleer of de “Master-Slave”-herkenningsfase op beide slagboombarrières is uitgevoerd.
- **De manoeuvre wordt omgekeerd uitgevoerd:** controleer of de parameter “Draairichting van de motor” (parameter L8 - Tabel 7, paragraaf 6.1) juist is ingesteld, of wissel de kabels van de motor om.

## AFDANKEN VAN HET PRODUCT

**Dit product maakt integraal deel uit van de automatisering en moet dan ook samen met de automatisering worden afgedankt.**

De ontmantelingswerkzaamheden aan het eind van de levensduur van dit product moeten, net als de installatiewerkzaamheden, worden uitgevoerd door gekwalificeerd personeel.

Dit product is opgebouwd uit verschillende soorten materiaal: sommigen hiervan kunnen gerecycled worden, anderen moeten als afval worden verwerkt. Win informatie in over de recycling- of afvalverwerkingssystemen die voor deze productcategorie zijn voorzien door de in uw land geldende voorschriften.

**Let op!** – Sommige delen van het product kunnen vervuilende of gevaarlijke substanties bevatten die, indien ze in het milieu terechtkomen, schadelijke effecten kunnen hebben op de omgeving of op de gezondheid van personen.

Zoals aangegeven door het symbool hiernaast, is het verboden dit product met het gewone huisvuil weg te gooien. Voer een “gescheiden afvalverwerking” uit volgens de methodes die voorzien zijn door de in uw land geldende voorschriften, of lever het product weer in bij de verkoper op het moment dat u een nieuw gelijksoortig product aanschaft.



**Let op!** – De plaatselijk geldende voorschriften kunnen zware sancties voorzien in het geval u de voorschriften voor afvalverwerking van dit product niet opvolgt.

## TEHNISCHE SPECIFICATIES VAN HET PRODUCT

**WAARSCHUWINGEN:** • Alle weergegeven technische specificaties zijn gebaseerd op een omgevingstemperatuur van 20°C (± 5°C). • Nice S.p.a. behoudt zich het recht voor om op elk willekeurig moment wijzigingen in het product door te voeren die het bedrijf noodzakelijk acht, waarbij echter dezelfde functionaliteit en hetzelfde beoogde gebruik gehandhaafd blijven.

Model	M3BAR	M5BAR	M7BAR	L9BAR
<b>Typologie</b>	Wegbarrière voor gebruik bij woonblokken, compleet met elektronische besturingseenheid			
<b>Nuttige doorgang (m)</b>	2,32 ÷ 2,82	3,17 ÷ 4,82	5 ÷ 7	7 ÷ 9
<b>Maximumkoppel bij de start (Nm)</b>	100	200	300	400
<b>Nominaal koppel (Nm)</b>	30	70	90	130
<b>Manoeuvretijd (instelbaar in sec)</b>	1.5 – 3	3 – 6	6 – 10	8 – 12
<b>Maximale frequentie werkingscycli bij nominaal koppel</b> (de besturingseenheid beperkt de cycli tot het maximum dat is voorzien in tabel T3)	600 continu gebruik	350 continu gebruik	200	150
<b>Levensduur</b>	Zie hoofdstuk 3 - paragraaf 3.2.1			
<b>Voedingsspanning</b>	230V 50/60Hz	230V 50/60Hz	230V 50/60Hz	230V 50/60Hz
<b>Voedingsspanning /V1</b>	120V 50/60Hz	120V 50/60Hz	120V 50/60Hz	120V 50/60Hz
<b>Maximumvermogen bij de start (W)</b>	150	110	110	160
<b>Maximumvermogen bij nominaal koppel (W)</b>	40	50	40	50
<b>Isolatieklasse</b>	1	1	1	1
<b>Noodvoeding</b>	Ja (met accessoire PS224)			
<b>Alimentazione fotovoltaica</b>	Ja (met accessoire SYKCE)			
<b>Uitgang FLASH</b>	voor 1 knipperend signaleringslicht LUCYB, MLB of MLBT (12V – 21W)			
<b>Uitgang LIGHT</b>	voor optioneel accessoire "lichten slagboom" XBA4			
<b>Uitgang SCA</b>	voor signaleringsverklikker 24V (max 10W)			
<b>Uitgang vor knipperlicht / stoplicht op deksel</b>	met optionele accessoires led-knipperlicht XBA7 of led-stoplicht XBA8			
<b>Uitgang BlueBUS</b>	1 uitgang met maximumbelasting van 12 Bluebus-units			
<b>Ingang "STOP"</b>	Voor contacten die normaal gesproken gesloten zijn, normaal gesproken open zijn of een constante weerstand van 8,2kΩ hebben of van het optische type OSE; bij automatische herkenning (bij een variatie ten opzichte van de opgeslagen status wordt de opdracht "STOP" gegenereerd)			
<b>Ingang "STAP-VOOR-STAP"</b>	Voor contacten die normaal gesproken open zijn			
<b>Ingang "OPEN"</b>	Voor contacten die normaal gesproken open zijn			
<b>Ingang "SLUIT"</b>	Voor contacten die normaal gesproken open zijn			
<b>Radiokoppelingen</b>	SM-connector voor SMXI-, SMXIS-, OXI- of OXIT-ontvangers			
<b>Ingang Radio-ANTENNE</b>	50 Ω voor kabel type RG58 of soortgelijk			
<b>Loop Detector-ingangen</b>	N°2 voor lus met een omtrek van 2 tot 16 m			
<b>Inductiviteit nominale lus</b>	tussen 100 en 400 μH			
<b>Programmeerbare functies</b>	8 functies van het type AAN-UIT en 8 instelL9BARe functies (zie tabel 6 en 8) en overige programmeringen via Oview-programmeer- en instructie-eenheid			
<b>Functies in zelflering</b>	Zelflering van de op de uitgang BlueBUS aangesloten inrichtingen. Zelflering van het type van de inrichting "STOP" (contact NA, NC of met weerstand van 8,2 kΩ). Zelflering van de openings- en sluitposities van de slagboom en berekening van de vertragingpunten en het punt voor gedeeltelijke opening Zelflering van de "Versie"			
<b>Gebruikstemperatuur</b>	-20°C ... +55°C	-20°C ... +55°C	-20°C ... +55°C	-20°C ... +55°C
<b>Beschermingsgraad</b>	IP54	IP54	IP54	IP54
<b>Afmetingen (mm)</b>	400 x 299 x 1215 h	400 x 299 x 1215 h	400 x 299 x 1215 h	500 x 299 x 1215 h
<b>Gewicht</b>	80 kg	80 kg	85 kg	98 kg

# BIJLAGE I

Verklaring van conformiteit voor gebruik in geval het product niet wordt geïnstalleerd met inachtneming van de criteria die zijn uiteengezet in hoofdstuk 1.3.1.

## EG-verklaring van overeenstemming en inbouwverklaring betreffende niet voltooide machines

Verklaring conform Richtlijnen:  
1999/5/CE (R&TTE); 2014/30/UE (EMC); 2006/42/CE (MD) bijlage II, deel B

*Opmerking - De inhoud van deze verklaring komt overeen met hetgeen is vastgelegd in het officiële document dat is gedeponneerd ten kantore van Nice S.p.A., en in het bijzonder met de laatste herziene en beschikbare versie ervan, vóór het drukken van deze handleiding. De hier gepresenteerde tekst is herzien om redactionele redenen. Een copie van de oorspronkelijke verklaring kan worden aangevraagd bij Nice S.p.A. (TV) Italy.*

Nummer verklaring: **405/M-LBAR**

Revisie: **12**

Taal: **NL**

**Naam fabrikant:** NICE S.p.A.

**Adres:** Via Pezza Alta N°13, 31046 Rustignè di Oderzo (TV) Italy

**Type product:** Elektromechanische slagboombarrière

**Model / Type:** M3BAR, M5BAR, M7BAR, L9BAR, M3BARI, M5BARI, M7BARI, L9BARI

**Accessoires:** XBA14, XBA15, XBA4, XBA6, XBA18, XBA9, XBA7, XBA8, PS224, OVIEW Unit

Ondergetekende Roberto Griffa verklaart als bedrijfsleider onder zijn verantwoordelijkheid dat het bovengenoemde product voldoet aan de voorschriften van de volgende richtlijnen:

- Richtlijn 1999/5/CE VAN HET EUROPEES PARLAMENT EN VAN DE EUROPESE RAAD van 9 maart 1999 met betrekking tot radioapparatuur en eindapparatuur voor communicatie en de wederzijdse erkenning van hun conformiteit, op basis van de volgende geharmoniseerde normen:
  - Bescherming van de gezondheid (art. 3(1)(a)): EN 62479:2010
  - Elektrische veiligheid (art. 3(1)(a)): EN 60950-1:2006+A11:2009+A12:2011+A1:2010+A2:2013
  - Elektromagnetische compatibiliteit (art. 3(1)(b)): EN 301 489-1 V1.9.2:2011, EN 301 489-3 V1.6.1:2013
  - Radiospectrum (art. 3(2)): EN 300 330-2 V1.6.1:2015

Op basis van Richtlijn 1999/5/CE (bijlage III), behoort het product tot klasse 1

- RICHTLIJN 2014/30/EU VAN HET EUROPEES PARLEMENT EN DE RAAD van 26 februari 2014 betreffende de harmonisatie van de wetgevingen van de lidstaten inzake elektromagnetische compatibiliteit (herschikking), op basis van de volgende geharmoniseerde normen: EN 61000-6-2:2005, EN 61000-6-3:2007+A1:2011
- RICHTLIJN 2014/35/EU VAN HET EUROPEES PARLEMENT EN DE RAAD van het Europees Parlement en de Raad van 26 februari 2014 betreffende de harmonisatie van de wetgevingen van de lidstaten inzake het op de markt aanbieden van elektrisch materiaal bestemd voor gebruik binnen bepaalde spanningsgrenzen (herschikking), volgens de volgende geharmoniseerde normen:  
EN 60335-1:2002 + A1:2004 + A11:2004 + A12:2006 + A2:2006 + A13:2008 + A14:2010 + A15:2011  
EN 60335-2-103:2003+A11:2009, EN 62233:2008

Bovendien voldoet het product aan de hieropvolgende richtlijn volgens de voor "pseudo machines" geldende vereisten:

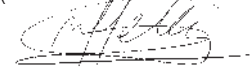
- RICHTLIJN 2006/42/EG VAN HET EUROPEES PARLEMENT EN DE RAAD VAN DE EUROPESE UNIE van 17 mei 2006 betreffende machines en tot wijziging van Richtlijn 95/16/EG (herschikking)
  - Hierbij verklaart men dat het relevante technische dossier is ingevuld volgens de aanwijzingen in bijlage VII B van de richtlijn 2006/42/EG en dat daarbij aan de hieropvolgende verplichte eisen is voldaan:  
1.1.1- 1.1.2- 1.1.3- 1.2.1-1.2.6- 1.5.1-1.5.2- 1.5.5- 1.5.6- 1.5.7- 1.5.8- 1.5.10- 1.5.11
  - De fabrikant zal zorgdragen voor de overdracht van informatie betreffende de niet voltooide machine, op speciaal verzoek van de wetgevende instanties zonder daarbij schade te doen toekomen aan zijn eigen intellectueel eigendomsrecht.
  - Mocht de onvoltooide machine in gebruik worden genomen in een land waar een andere taal wordt gesproken dan in deze verklaring is gebruikt, is de importeur verplicht de vertaling van het desbetreffende document aan de documentatie toe te voegen.
  - Het is niet toegestaan de niet voltooide machine in gebruik te nemen voordat de uiteindelijke machine waarop deze zal worden ingebouwd, en indien van toepassing geschikt is verklaard volgens de richtlijn 2006/42/EG.

Het product voldoet, waar van toepassing, aan de hierop volgende normen:

EN 13241-1:2003+A1:2011, EN 12445:2000, EN 12453:2000, EN 12978:2003+A1:2009

Oderzo, 23 januari 2017

Ing. **Roberto Griffa**  
(Chief Executive Officer)





# Gebruikshandleiding

## (te overhandigen aan de eindgebruiker)

Alvorens de automatisering voor de eerste keer te gebruiken, dient u zich door de installateur uitleg te laten geven over de restricties en een paar minuten te besteden aan het doorlezen van deze handleiding. Bewaar deze handleiding voor eventuele toekomstige twijfels en geef deze aan een eventuele nieuwe eigenaar van de automatisering.

**LET OP! – Uw automatisering is een machine die uw instructies trouw uitvoert; een onverantwoordelijk en oneigenlijk gebruik ervan kan echter gevaarlijke situaties opleveren:**

- Laat de automatisering niet werken als er zich mensen, dieren of zaken binnen het bereik bevinden.
- Het is ten strengste verboden delen van de automatisering aan te raken terwijl de slagboom in beweging is!
- Doorrijden is alleen toegestaan wanneer de slagboom helemaal open is en stilstaat!

## Waarschuwingen

**1 - Kinderen:** een automatiseringsinstallatie biedt een hoge graad van veiligheid, doordat de manoeuvre bij aanwezigheid van mensen of zaken dankzij de beveiligingssystemen worden onderbroken en altijd een voorspelbare en veilige activering gegarandeerd. Het is in ieder geval verstandig kinderen te verbieden in de buurt van de installatie te spelen en de afstandsbedieningen buiten hun bereik te houden om te voorkomen dat de installatie per ongeluk in werking treedt: het is geen spelgoed!

**2 -** Het product is niet bestemd voor gebruik door personen (inclusief kinderen) met lichamelijke, zintuiglijke of geestelijke beperkingen of met gebrek aan ervaring of kennis, tenzij zij dankzij de tussenkomst van iemand die de verantwoordelijkheid over hun veiligheid draagt, kunnen profiteren van toezicht of instructies met betrekking tot het gebruik van het product.

**3 - Storingen:** Zodra u constateert dat de automatiseringsinstallatie niet werkt zoals ze dat zou moeten doen, dient u de stroomtoevoer naar de installatie te onderbreken en haar handmatig te ontgrendelen. Probeer niet zelf te repareren, maar roep de hulp van uw vertrouwensinstallateur in: intussen kan de installatie werken als een niet geautomatiseerde toegang, wanneer u de reductiemotor op de hieronder beschreven manier ontgrendeld hebt. **Bij breuk of uitval van de stroomtoevoer**, kan de automatisering, in afwachting van de assistentie van de installateur of herstel van de elektrische energie, als de installatie niet is uitgerust met bufferbatterijen, toch gebruikt worden. Hiervoor dient u de reductiemotor handmatig te ontgrendelen (zie stap 9 - Handmatige ontgrendeling en vergrendeling van de reductiemotor) en de slagboom handmatig in de gewenste stand te verplaatsen.

**4 - Bediening wanneer de veiligheidsinrichtingen buiten gebruik zijn:** als de veiligheidsinrichtingen van de slagboombarrière niet correct werken, is het toch mogelijk de slagboombarrière aan te sturen:

- activeer de bediening van de slagboombarrière (met de zender, sleutelschakelaar, enzovoort); als alles in orde is, zal de slagboom normaal open of dicht gaan, anders zal het knipperlicht een aantal maal knipperen en zal de manoeuvre niet starten (het aantal maal dat het licht knippert is afhankelijk van de reden waarom de manoeuvre niet kan starten).
- In dit geval moet u de bedieningsinrichting binnen 3 seconden nogmaals activeren en geactiveerd houden.
- na ongeveer 2 seconden zal de beweging van de slagboombarrière in de modus "Persoon aanwezig" beginnen; dat wil zeggen: zo lang de bediening geactiveerd is, zal de slagboom blijven bewegen, maar ZODRA DE BEDIENING WORDT LOSGELATEN, ZAL DE SLAGBOOM STOPPEN.

**Wanneer de beveiligingen buiten gebruik zijn, moet de automatisering zo snel mogelijk gerepareerd worden.**

**5 -** Ook al bent u van mening daartoe wel in staat te zijn, breng geen wijzigingen aan de installatie en de programmerings- en afstellingsparameters van uw automatiseringsinstallatie aan: dit is de verantwoordelijkheid van uw installateur.

**6 -** De eindtest, het periodieke onderhoud en de eventuele reparaties moeten worden gedocumenteerd door degene die deze werkzaamheden uitvoert en de eigenaar van de installatie dient deze documenten te bewaren. De enige werkzaamheden die de gebruiker zelf kan uitvoeren en die periodiek behoren te worden gedaan, zijn het reinigen

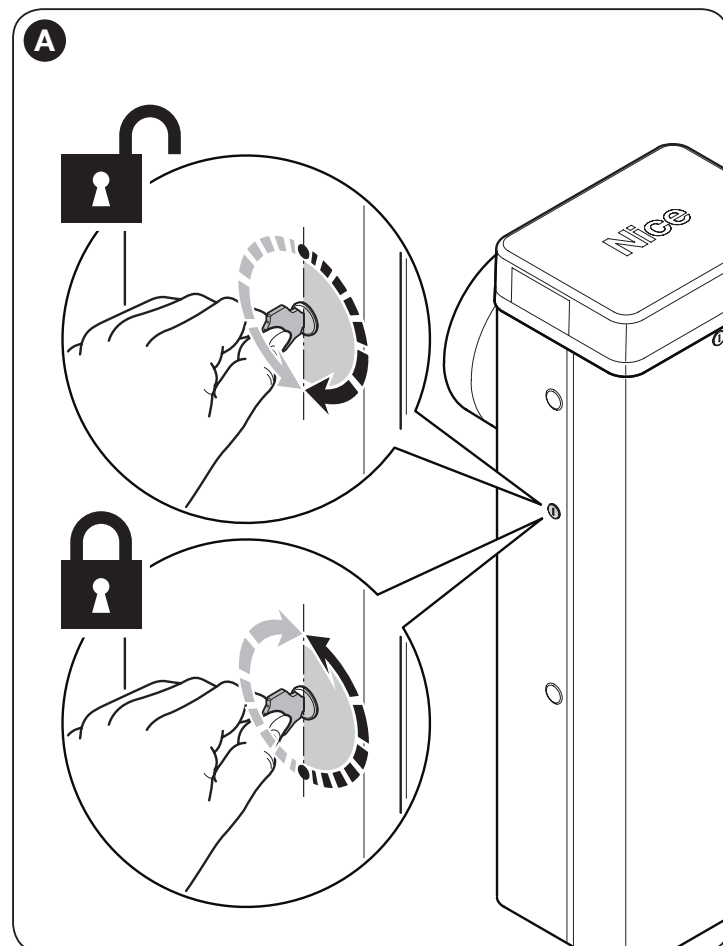
van de glasjes van de zonnecellen en van de automatisering zelf. Om te voorkomen dat iemand de slagboombarrière in beweging brengt dient u eraan te denken voordat u dit gaat doen het automatische (zoals verderop beschreven) te ontgrendelen en voor het schoonmaken alleen een enigszins vochtige in water gedrenkte doek te gebruiken.

**7 - Afvalverwerking:** Als de automatisering niet meer gebruikt kan worden, dient u zich ervan te vergewissen dat de sloop daarvan door gekwalificeerd personeel wordt uitgevoerd en dat het materiaal volgens de plaatselijk geldende voorschriften wordt hergebruikt of naar de afvalverwerking wordt gezonden.

**8 - Handmatige ontgrendeling en vergrendeling van de reductiemotor** de reductiemotor is uitgerust met een mechanisch systeem dat het mogelijk maakt de slagboom met de hand te openen en te sluiten. Dit moet gedaan worden in het geval van een stroomuitval of van storingen in de werking.

**BELANGRIJK! – Het ontgrendelen en vergrendelen van de reductiemotor mag alleen gebeuren wanneer de slagboom stilstaat en zich in horizontale stand bevindt.**

Als u de slagboombarrière handmatig wilt vergrendelen of ontgrendelen, plaatst u de bijgeleverde sleutel en draait u de sleutel 180° (fig. A); u kunt in elk van beide richtingen draaien.





# Onderhoudsplan (te overhandigen aan de eindgebruiker)

## ONDERHOUDSREGISTER

**Belangrijk** – Dit onderhoudsregister moet worden overhandigd aan de eigenaar van de automatisering, na het volledig te hebben ingevuld.

In dit register moeten alle uitgevoerde onderhouds- en reparatiewerkzaamheden en aangebrachte wijzigingen vermeld worden. Het register moet bij iedere ingreep worden bijgewerkt en moet zorgvuldig bewaard worden zodat het altijd beschikbaar is voor inspectie door de bevoegde instanties.

Dit "Onderhoudsregister" heeft betrekking op de volgende automatisering:

mod. MBAR en L9BAR. - serienummer ..... - geïnstalleerd op (datum) ..... - bij .....

De volgende bijgevoegde documenten maken deel uit van dit "Onderhoudsregister":

- 1) - Onderhoudsplan
- 2) - .....
- 3) - .....
- 4) - .....
- 5) - .....
- 6) - .....

Volgens het bijgevoegde "Onderhoudsplan" moeten de onderhoudswerkzaamheden met de volgende tussenpozen worden uitgevoerd: **iedere 6 maanden** of **iedere 50.000 manoeuvreercycli**, als dit eerder bereikt wordt.

## ONDERHOUDSPLAN

**Let op!– Het onderhoud van de installatie moet worden uitgevoerd door gekwalificeerd technisch personeel, in overeenstemming met de door de geldende wetten voorziene veiligheidsnormen en de veiligheidsvoorschriften uit hoofdstuk 1 - "Algemene aanbevelingen en voorzorgsmaatregelen voor de veiligheid", aan het begin van deze handleiding.**

Over het algemeen behoeft de slagboombarrière geen bijzonder onderhoud; maar door regelmatige controles uit te voeren houdt u de installatie altijd in goede staat van werking en bent u verzekerd van een reguliere werking van de geïnstalleerde veiligheidssystemen.

Voor het onderhoud van de inrichtingen die aan de wegslagboombarrière werden toegevoegd volgt u de aanwijzingen in de betreffende onderhoudsplannen.

Als algemene regel wordt aangeraden met de volgende frequentie een periodieke controle uit te voeren: om de 6 maanden of 50.000 manoeuvres.

Wij benadrukken dat ook in geval van breuk van de veer de wegslagboombarrière blijft voldoen aan de vereiste die voorzien is in 4.3.4 van de norm EN 12604: 2000.

• Het balanssysteem van de slagboom moet minstens 2 maal per jaar gecontroleerd worden, bij voorkeur bij het wisselen van de seizoenen. Op het voorziene tijdstip dienen bij de onderhoudsbeurt de volgende controles en vervangingen te worden uitgevoerd:

- 1 Koppel alle bronnen van elektrische stroomvoorziening los
- 2 Controleer alle materialen waaruit de slagboombarrière bestaat op kwaliteitsvermindering en let daarbij met name op aantasting of roestvorming van de structurele delen; vervang die delen welke onvoldoende garantie bieden.
- 3 Controleer of de schroefverbindingen strak genoeg zijn (met name bij de balansveer)
- 4 Verzeker u ervan dat er geen speling is tussen de balansveer en de uitgangsboom. In geval van speling draait u de middelste schroef volledig aan.
- 5 Smeer de askop van de balansveer en het onderste anker.
- 6 Controleer bij de versies M7BAR en L9BAR of er wel sprake is van perfecte vergrendeling tussen de twee segmenten van de slagboom. Stel de expansieschroeven zo nodig af.
- 7 Zet de slagboom in verticale stand en controleer of de ruimte tussen de spiralen van de balansveer gelijkmatig is, zonder vervormingen.
- 8 Ontgrendel en controleer of de balans van de slagboom en eventuele obstakels tijdens handmatig openen en sluiten correct is.
- 9 Opnieuw vergrendelen en de eindtest uitvoeren.
- 10 **Controle van de beveiliging tegen het gevaar van het mee omhoog trekken van voorwerpen:** bij automatiseringen met

verticale beweging dient men altijd te controleren of dit gevaar niet aanwezig is. Deze test kan als volgt worden uitgevoerd: hang halverwege de lengte van de slagboom een gewicht van 20 kg (bijvoorbeeld een zak grint), geef instructie voor een openingsmanoeuvre en controleer of de slagboom gedurende deze manoeuvre niet hoger dan 50 cm vanaf de sluitstand gaat. Indien de slagboom deze hoogte overschrijdt, dient de motorkracht te worden gereduceerd (zie hoofdstuk 6 - Tabel 7):

**11** Indien men de gevarensituaties, veroorzaakt door de beweging van de slagboom, heeft beveiligd door middel van beperking van de stootkracht, dient de kracht te worden gemeten in overeenstemming met de norm EN 12445 en dient men eventueel, als de controle van de "motorkracht" gebruikt wordt als hulp voor het systeem voor de reductie van de stootkracht, uit te proberen welke afstelling de beste resultaten geeft.

**12 Controle van de doeltreffende werking van het ontgrendelingsstelsel:** zet de slagboom in de sluitstand en voer een handmatige ontgrendeling van de reductiemotor uit (zie paragraaf 3.6) en controleer of dit zonder problemen gebeurt. Controleer of de handmatige kracht die nodig is om de slagboom in openingsstand te zetten niet groter is dan 200 N (circa 20 kg); de kracht wordt loodrecht op de slagboom en op 1 m van de draais gemeten. Controleer tot slot of de sleutel die nodig is voor de handmatige ontgrendeling beschikbaar is in de nabijheid van de automatisering.

**13 Controle van het systeem voor afkoppeling van de voeding:** activeer de inrichting voor afkoppeling van de voeding en koppel de eventuele bufferbatterijen af en ga na of alle led's op de besturingseenheid uit zijn en of de slagboom ook bij het versturen van een bedieningsinstructie stil blijft staan. Controleer de doeltreffende werking van het vergrendelingsstelsel om er zeker van te zijn dat het niet mogelijk is dat de installatie wanneer onbedoeld of door onbevoegden onder stroom kan worden gezet.





**EN - Images**

**IT - Immagini**

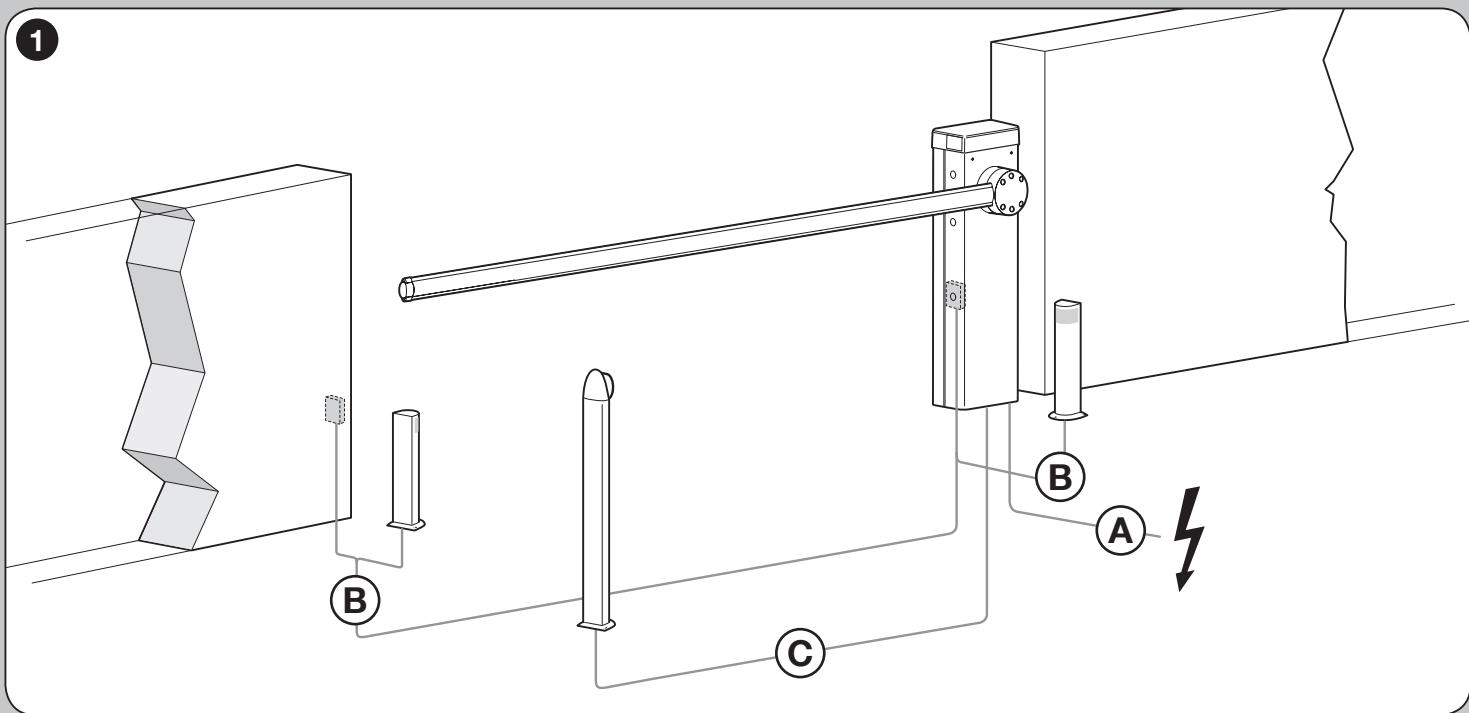
**FR - Images**

**ES - Imágenes**

**DE - Bilder**

**PL - Zdjęcia**

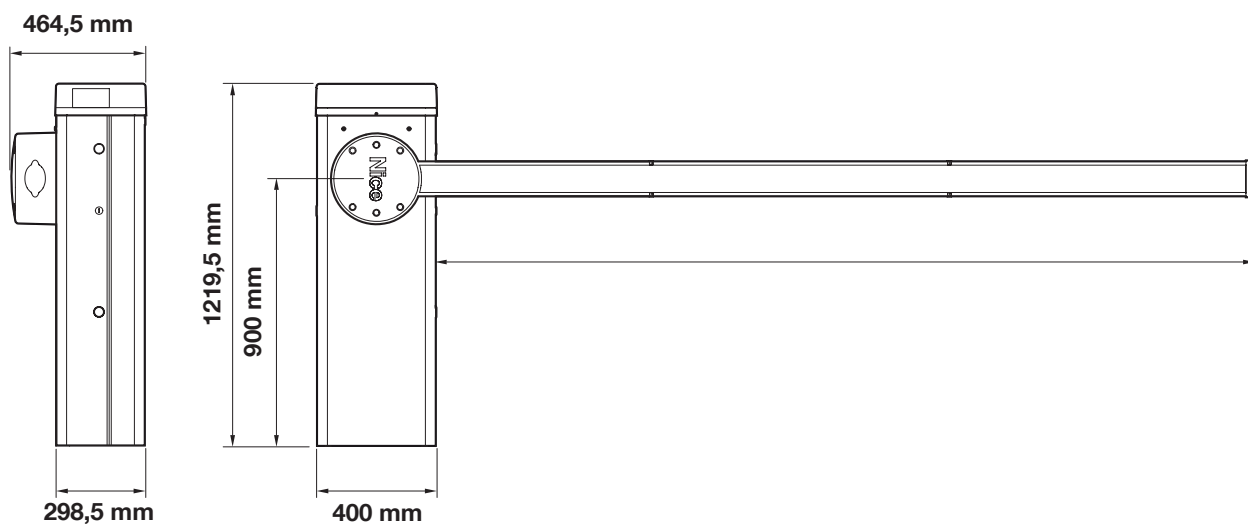
**NL - Afbeeldingen**



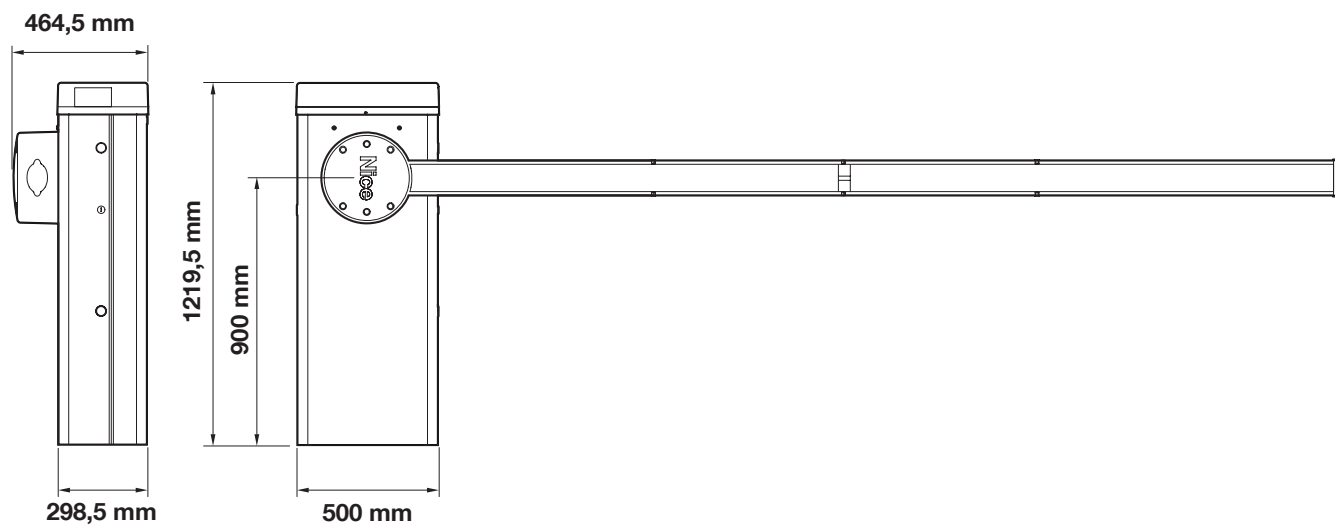
**2**

**M3BAR - M5BAR - M7BAR**

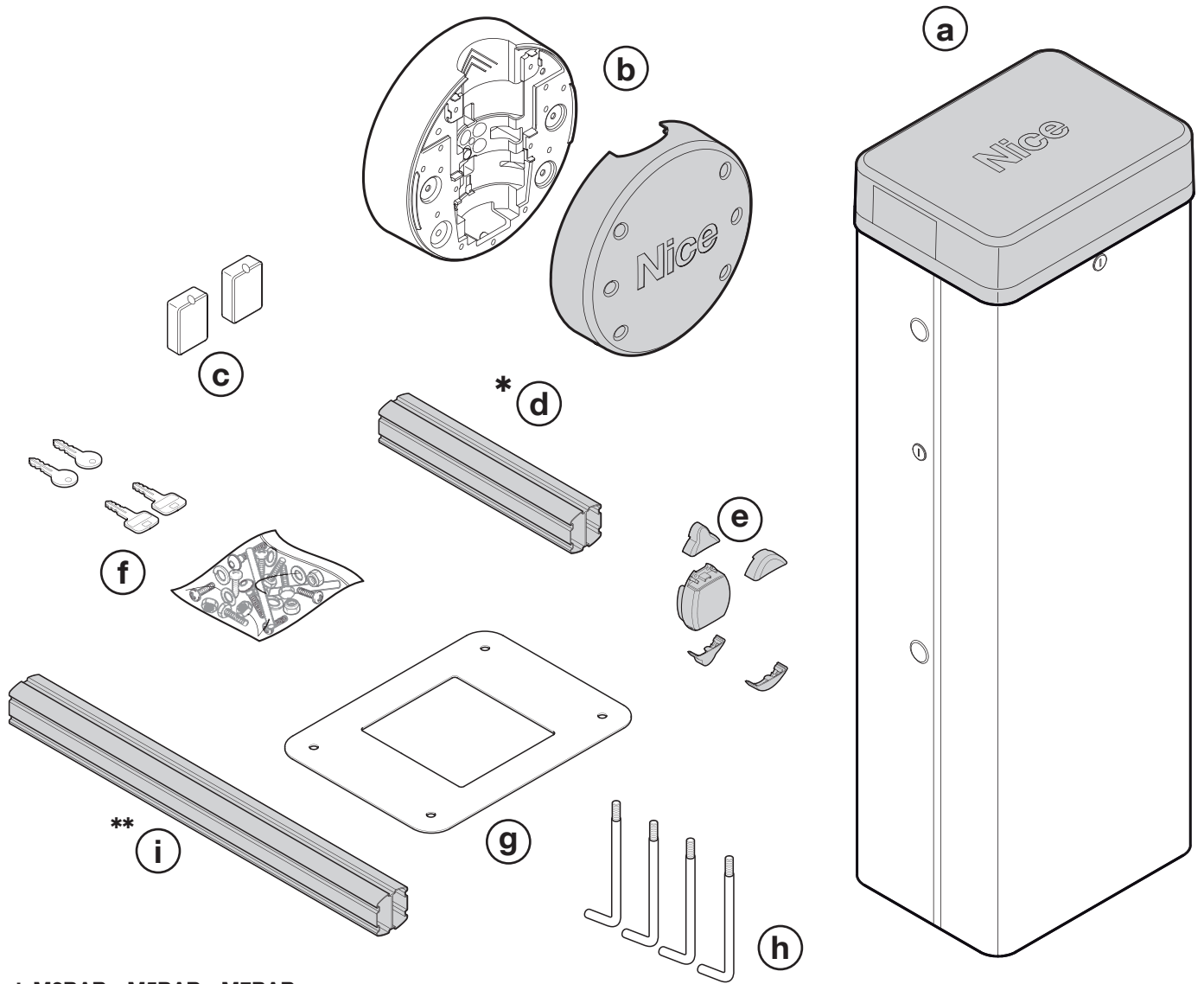
- EN - with joint • IT - con giunto • FR - avec raccord • ES - con unión
- DE - mit Gelenkverbindung) • PL - ze złączką) • NL - met verbindingsstuk



**L9BAR**



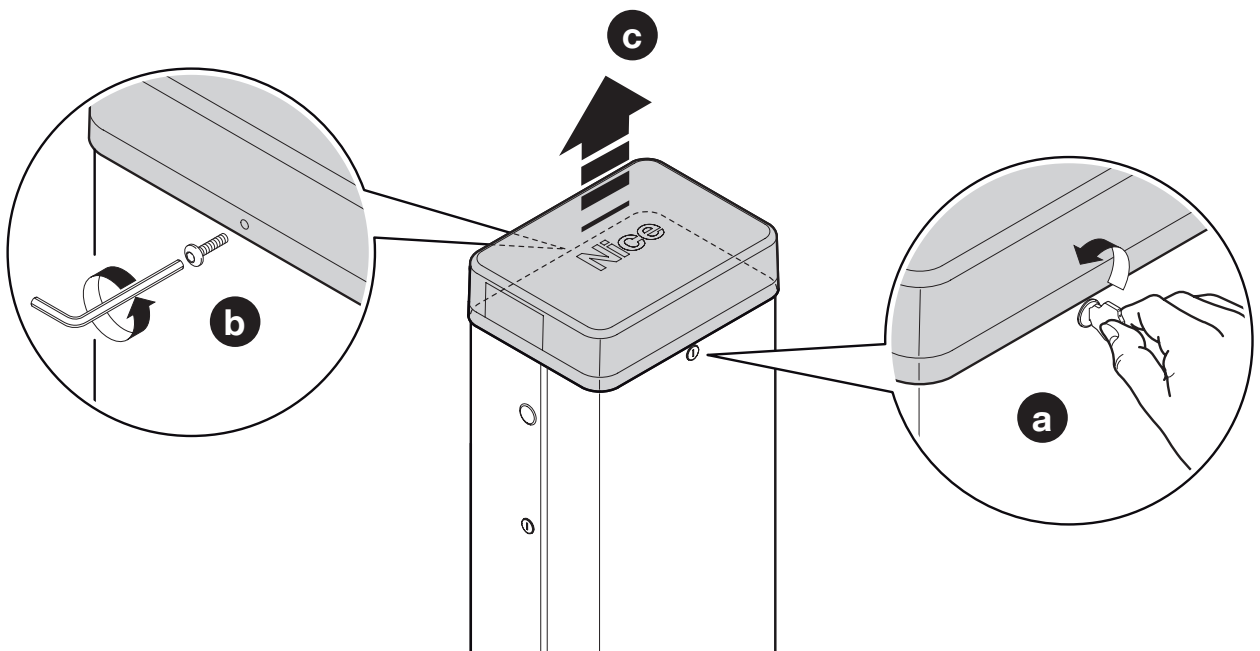
3



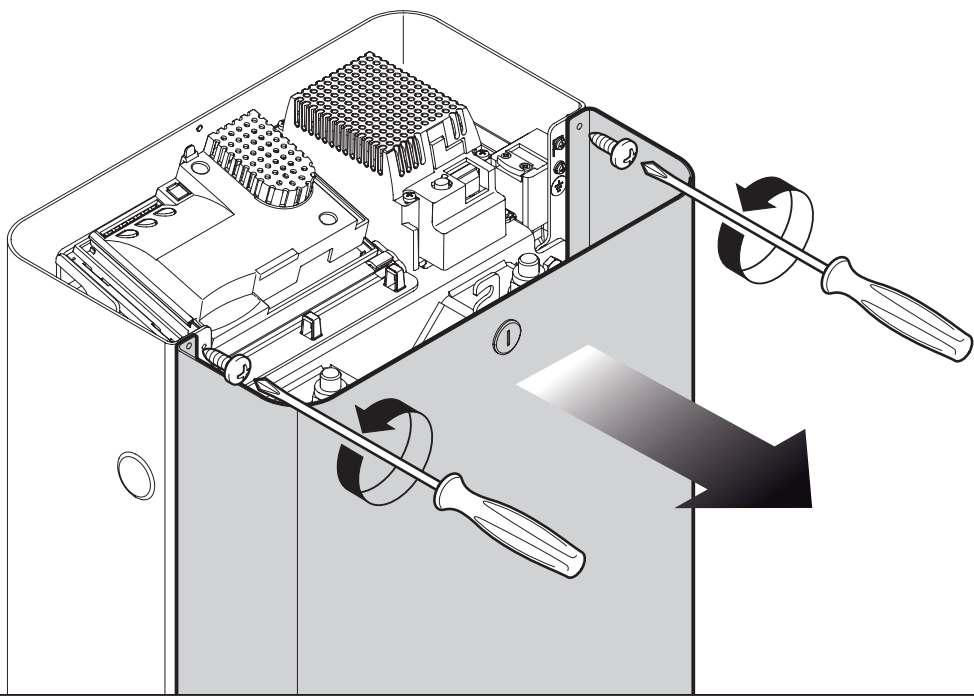
\* M3BAR - M5BAR - M7BAR

\*\* L9BAR

4

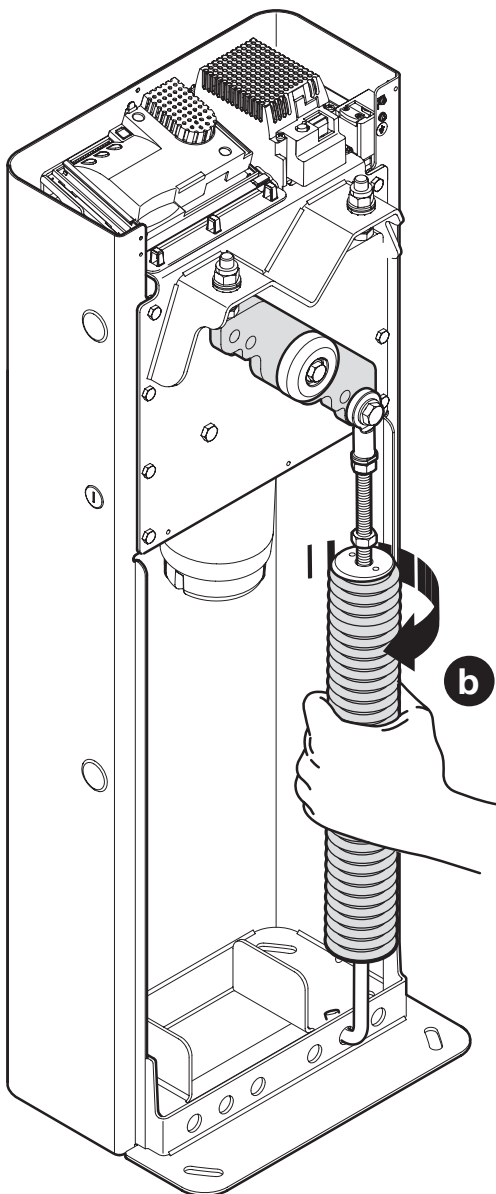


5

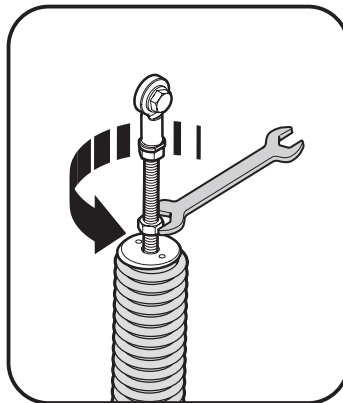


6

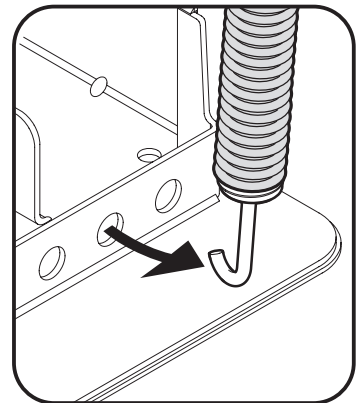
### M3BAR - M5BAR - M7BAR



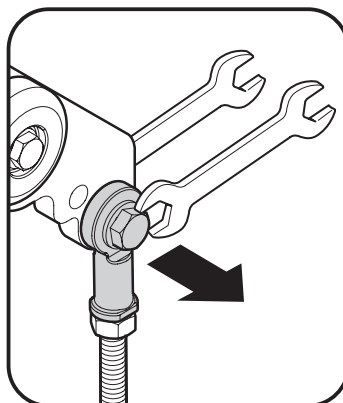
a



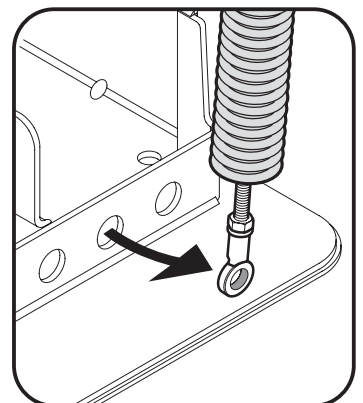
d



c

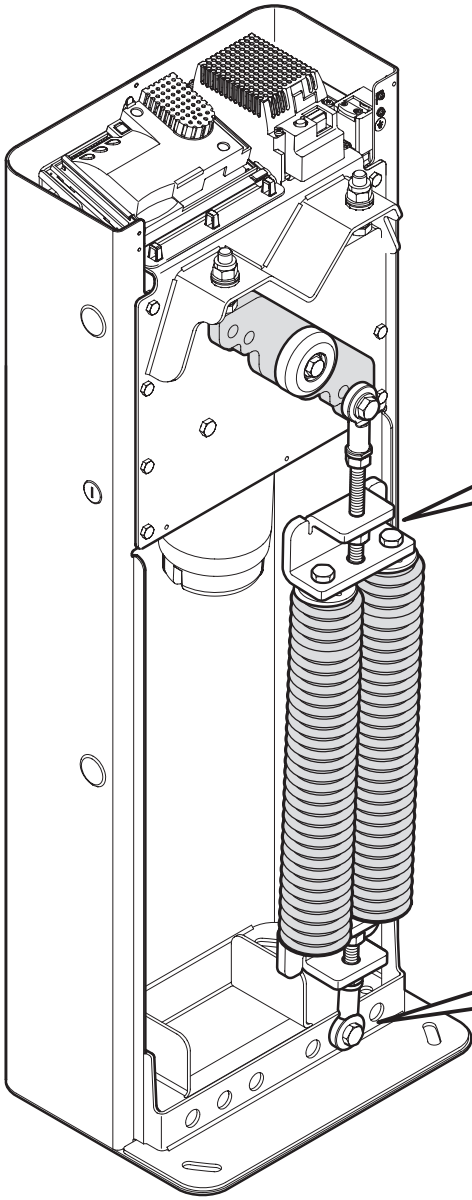


d (M7BAR)

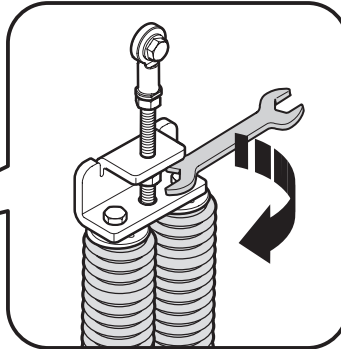


7

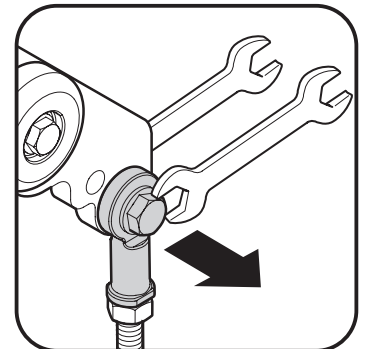
L9BAR



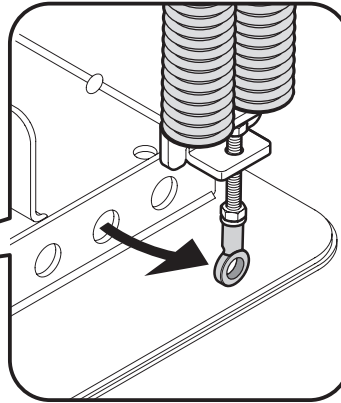
a



b



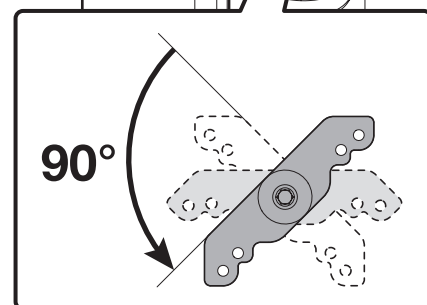
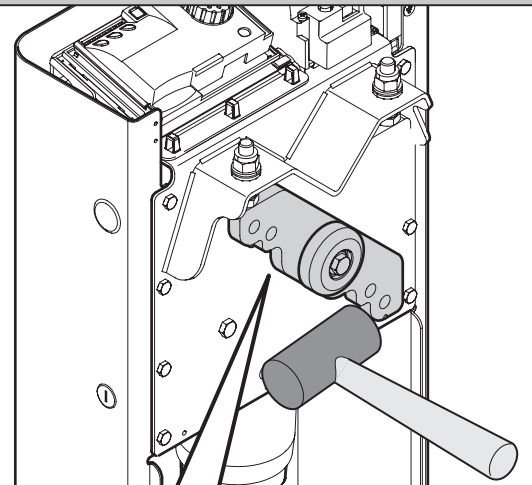
c



8

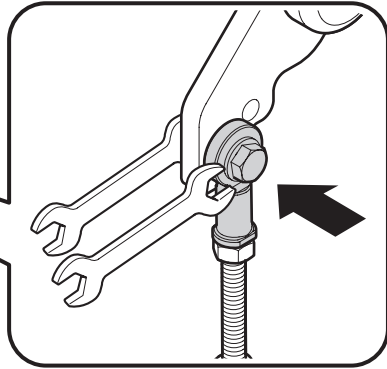
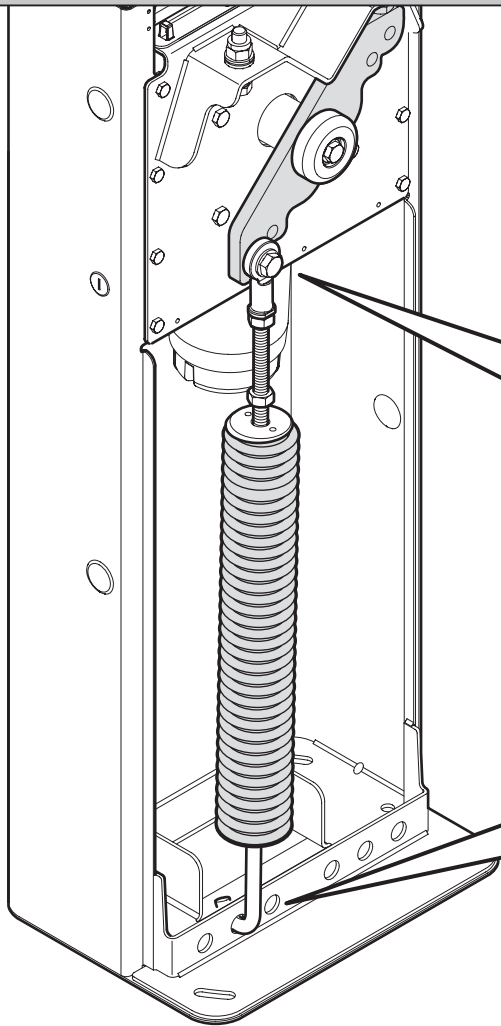


9

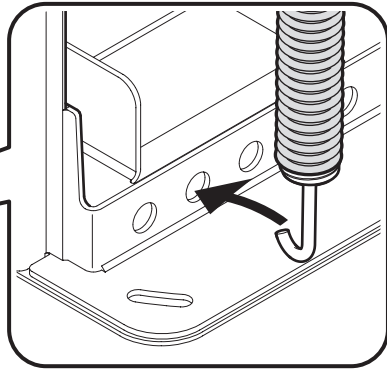


10

### M3BAR - M5BAR



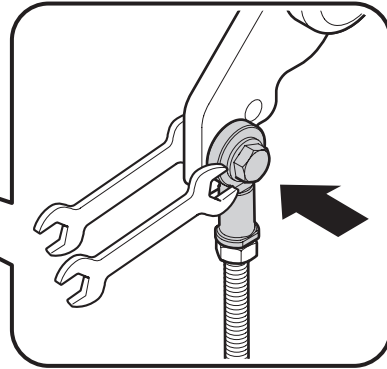
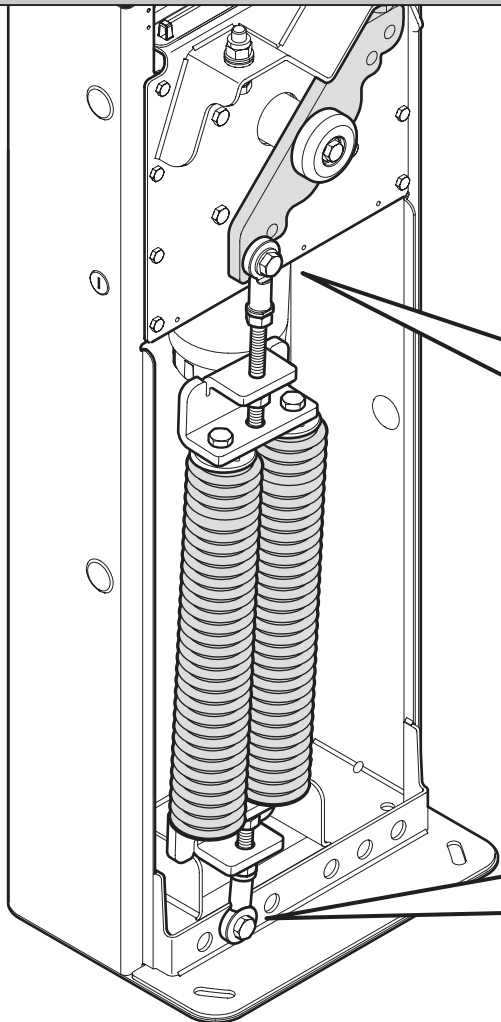
b



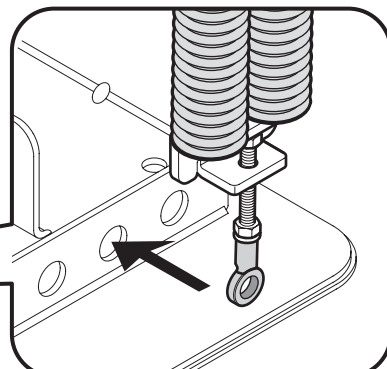
a

11

### L9BAR

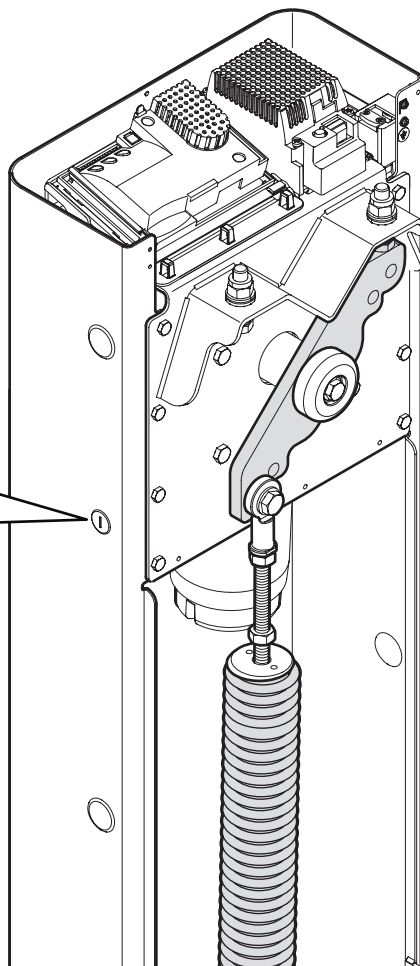
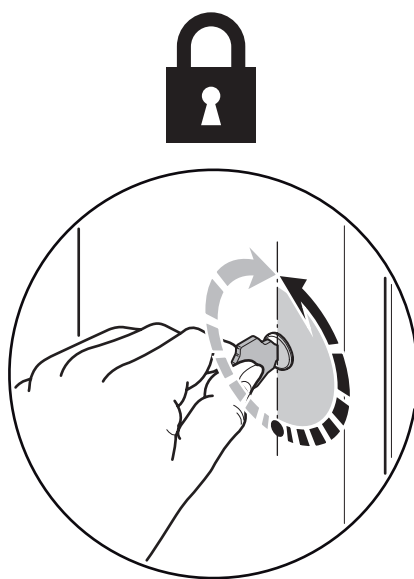


a

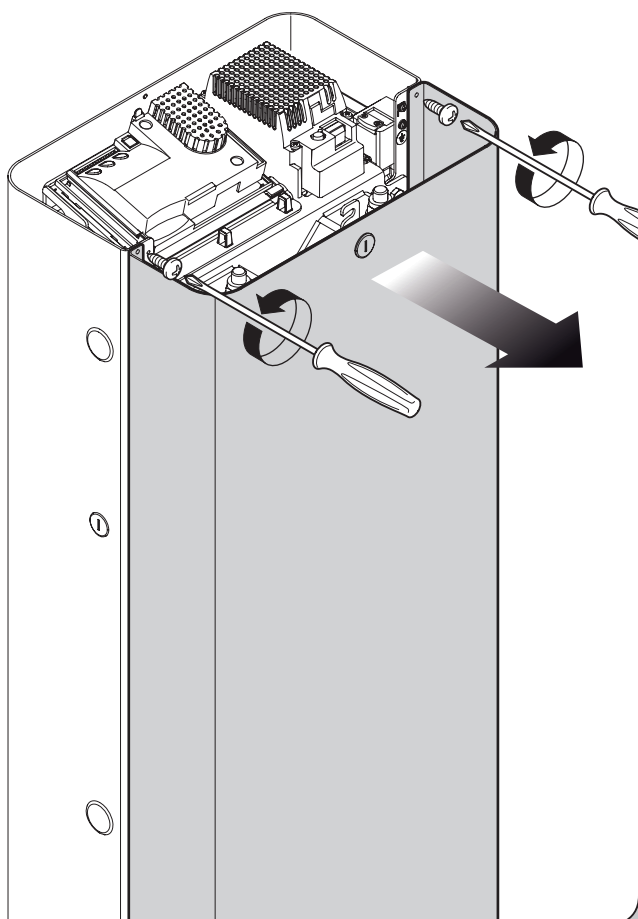


b

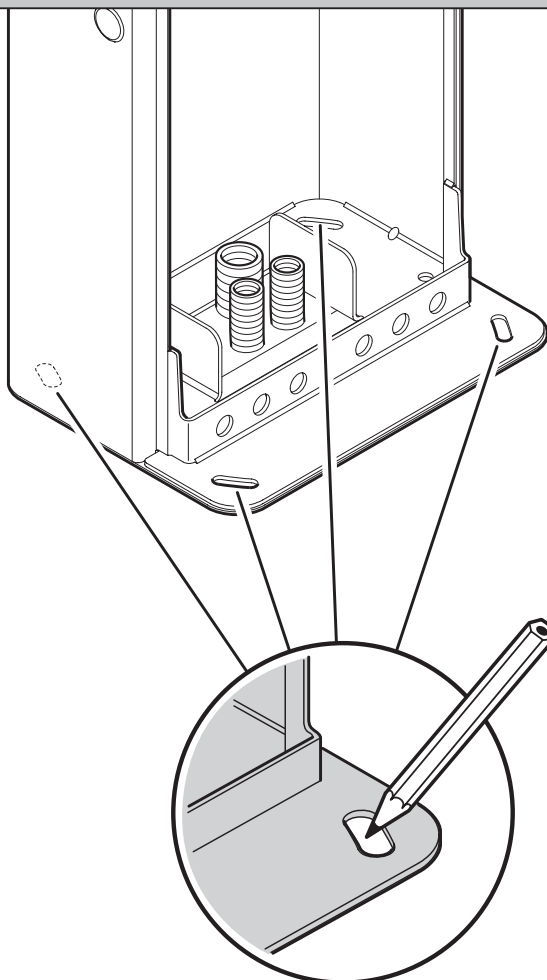
12



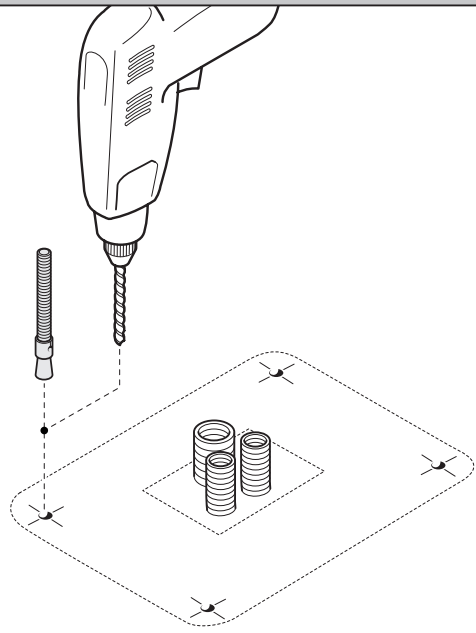
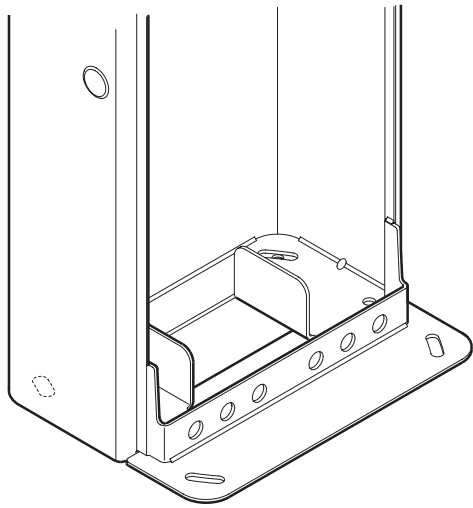
13



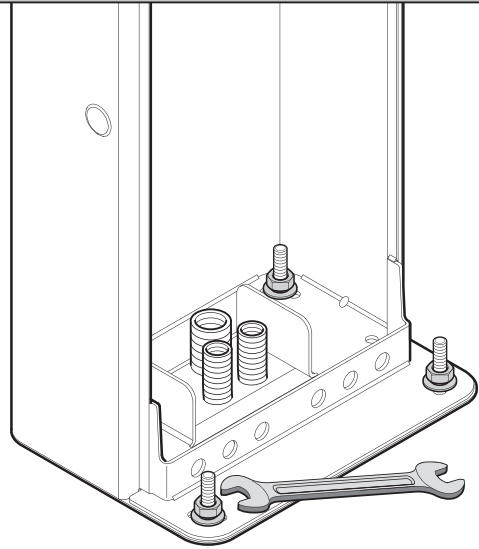
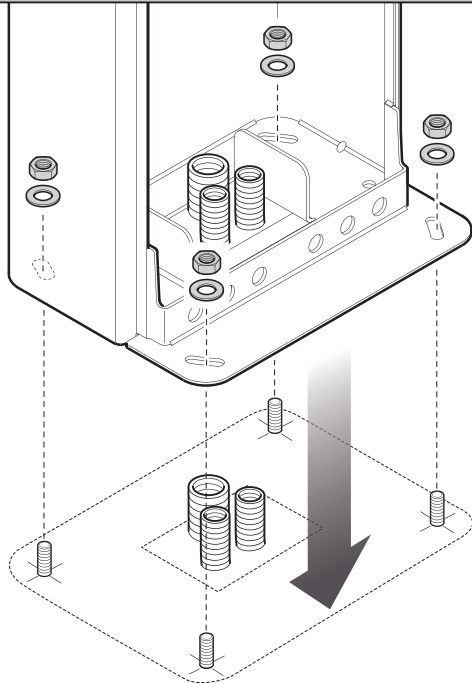
14



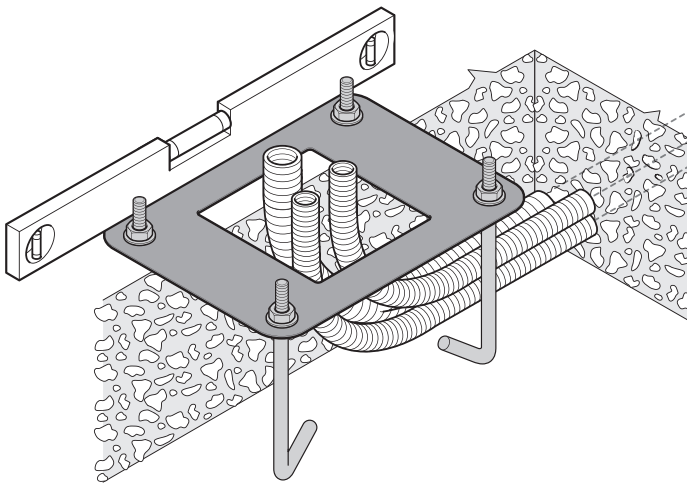
15



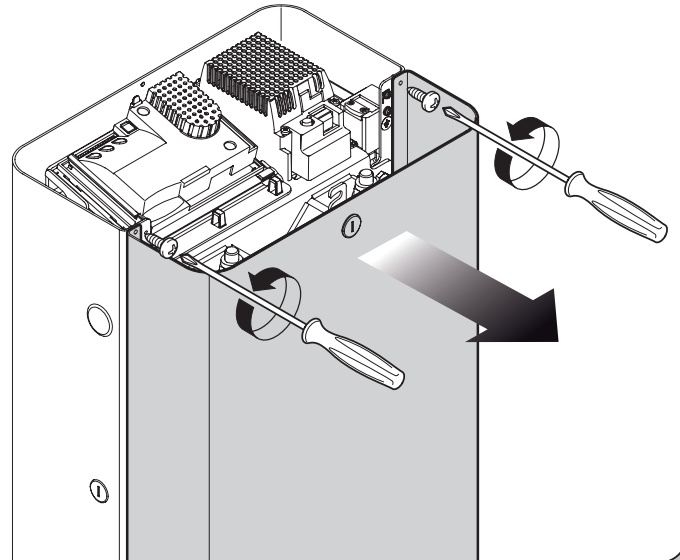
16



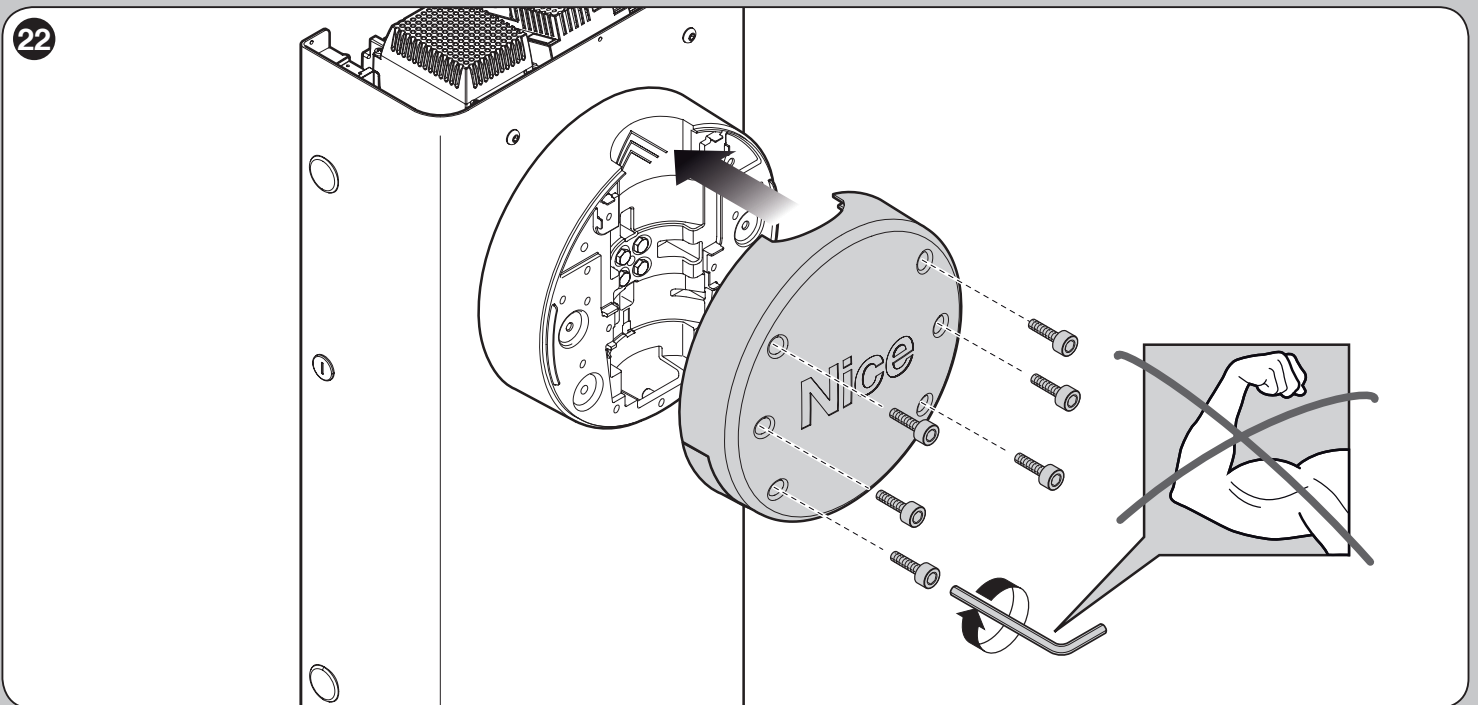
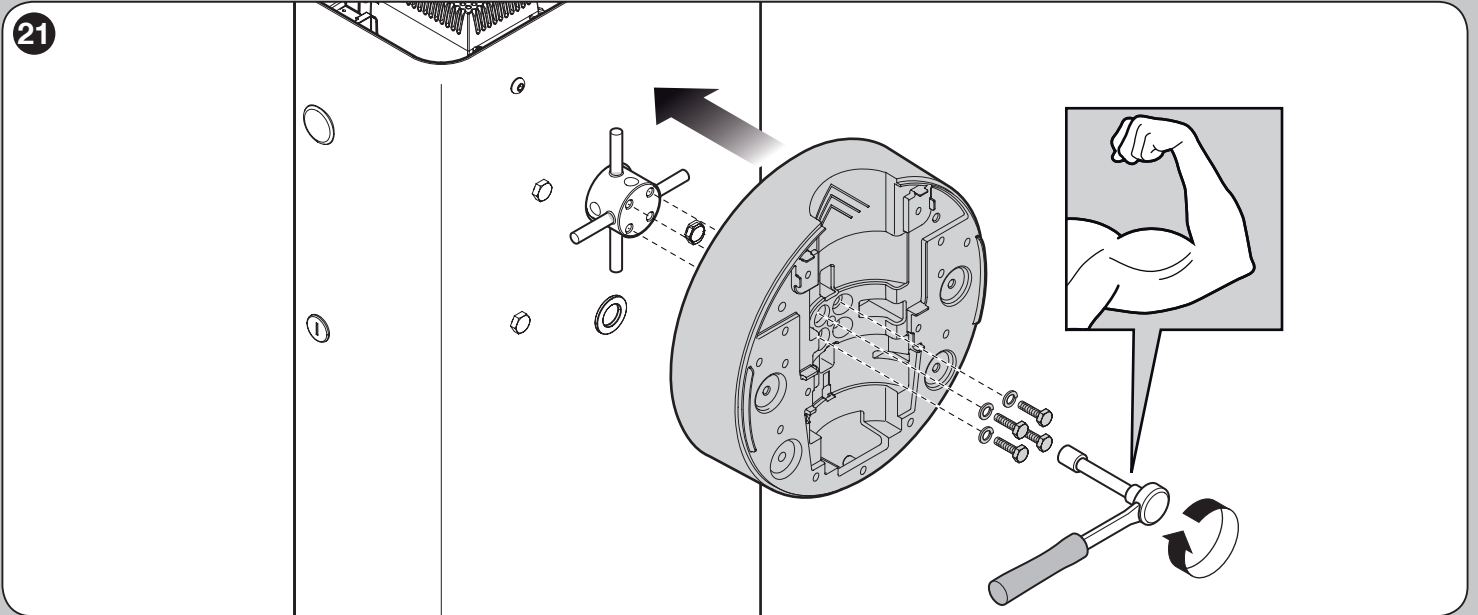
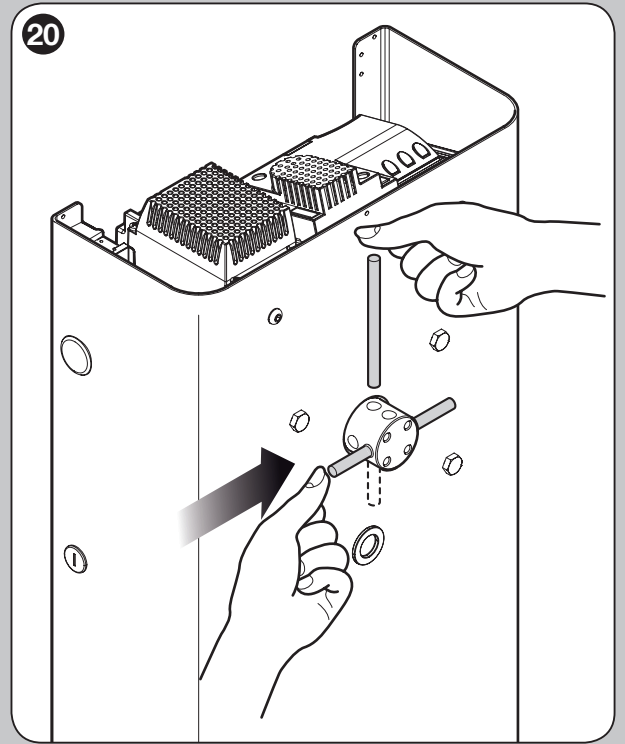
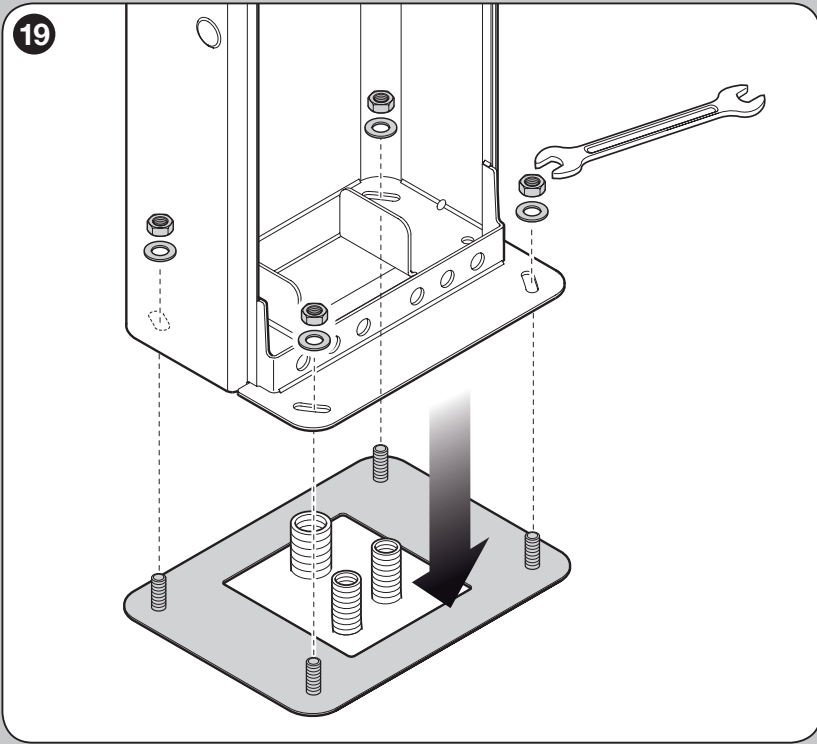
17



18

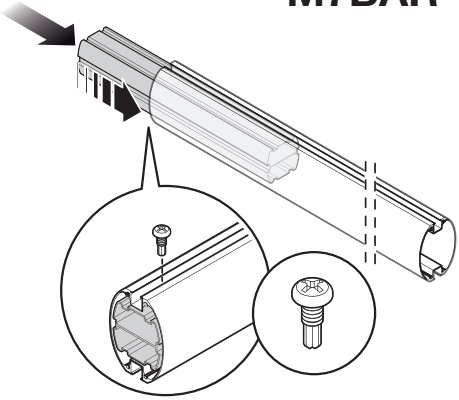






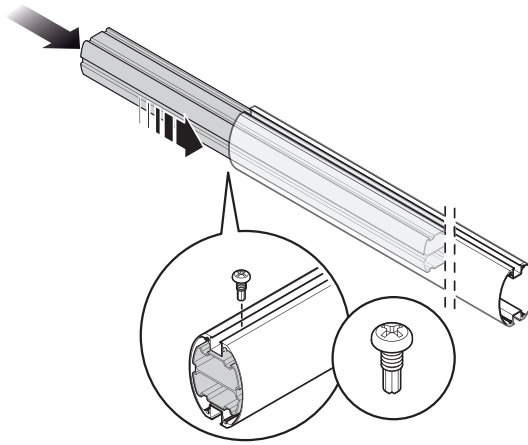
23

M3BAR  
M5BAR  
M7BAR

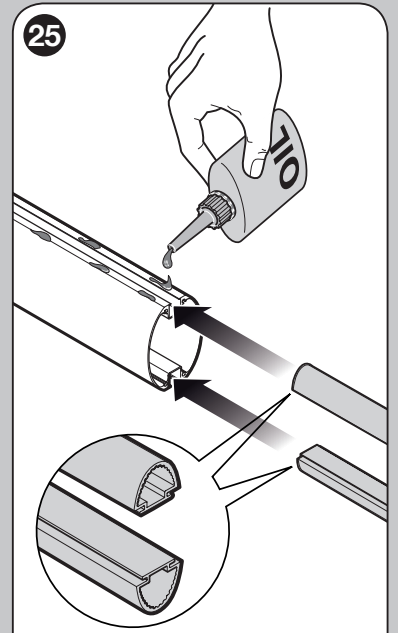


24

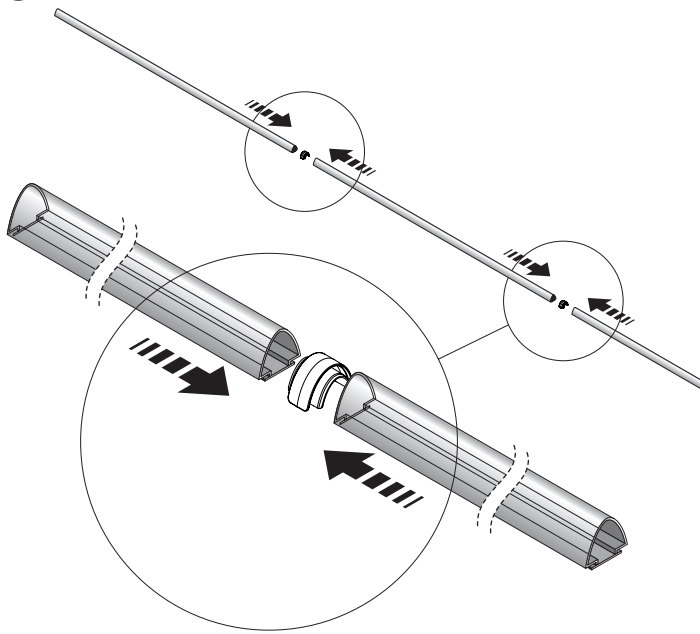
L9BAR



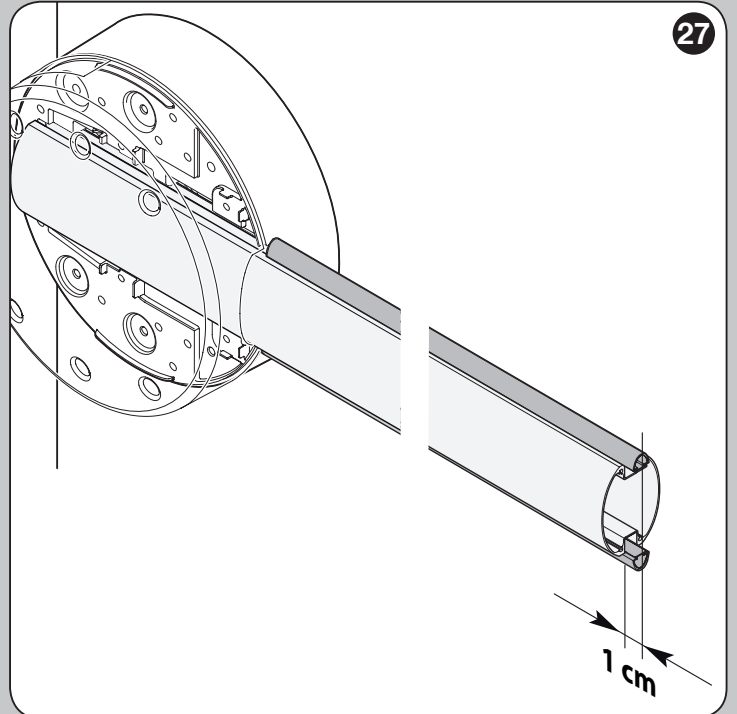
25



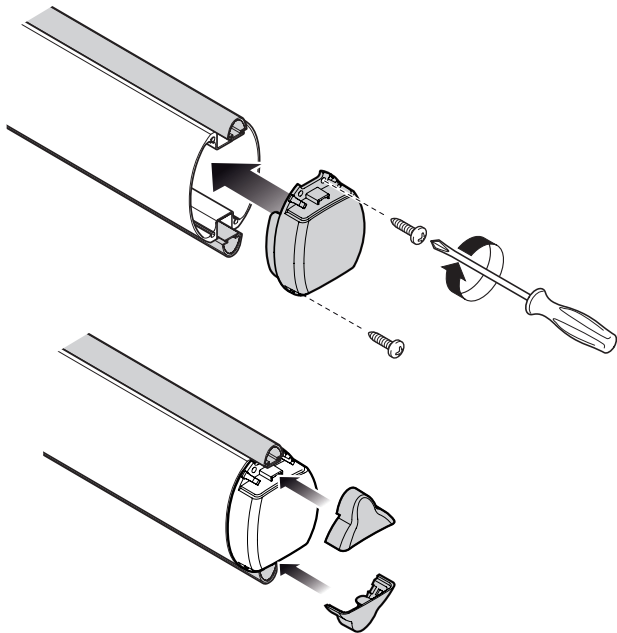
26



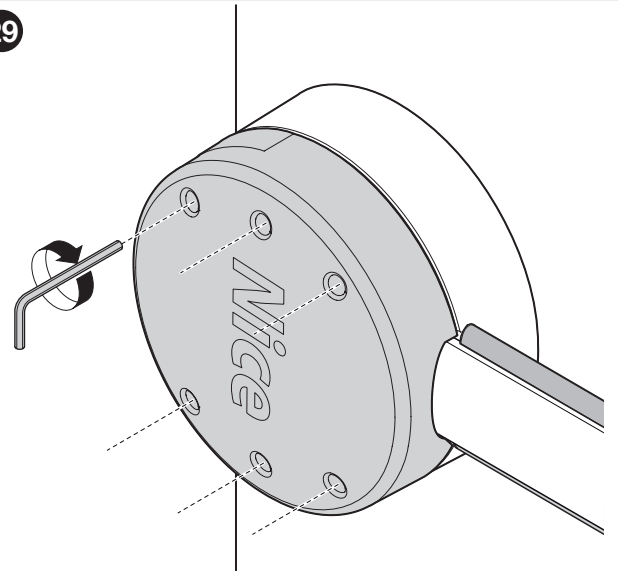
27

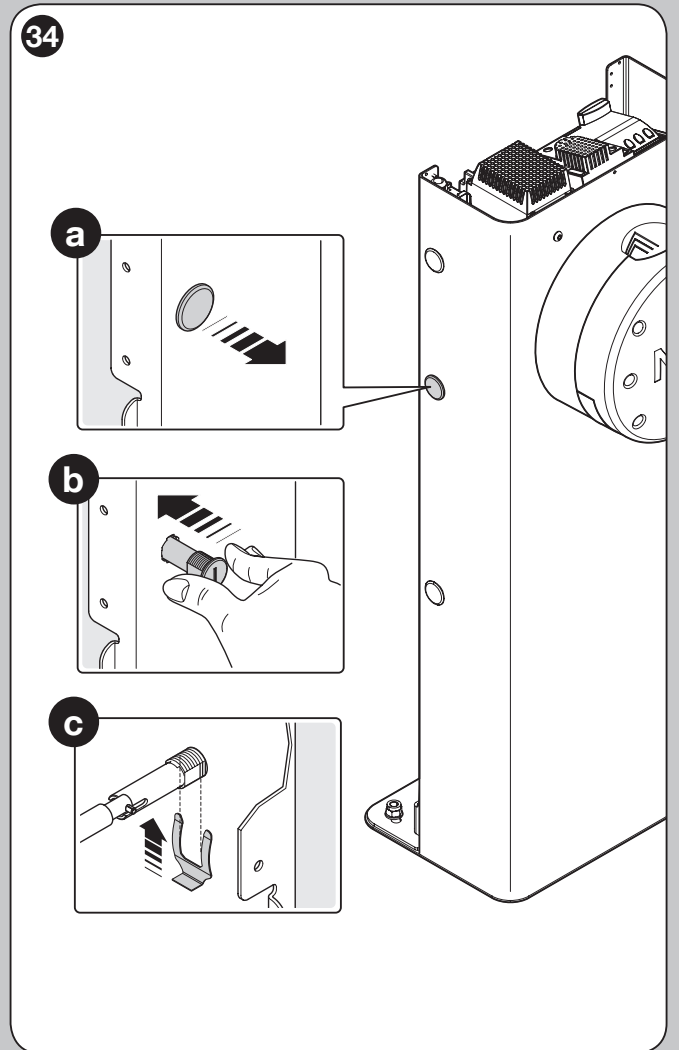
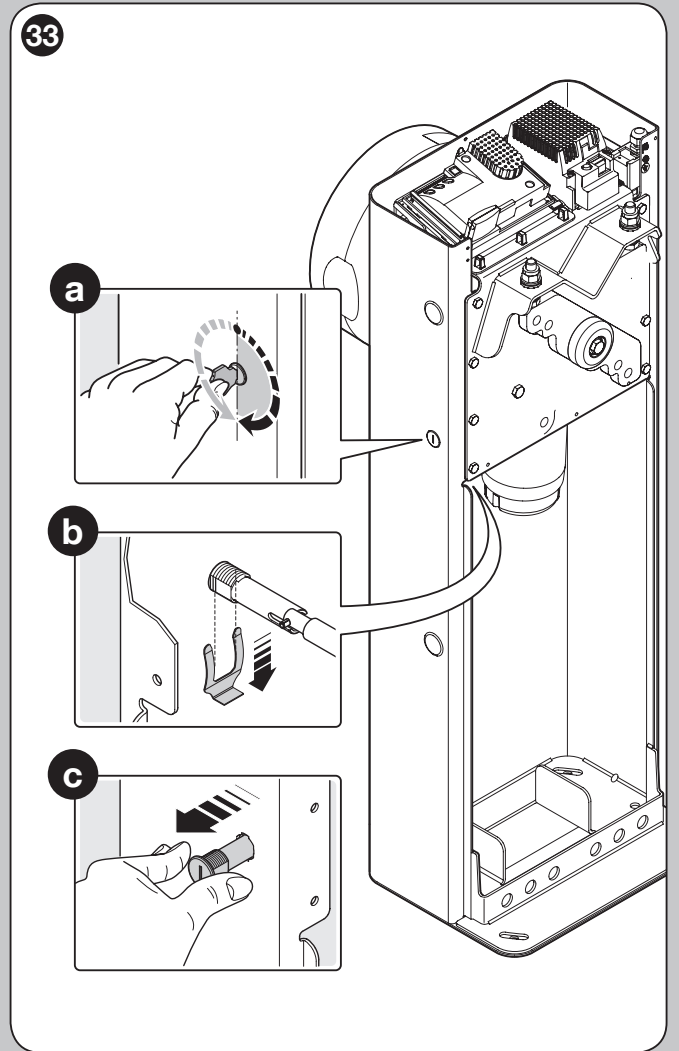
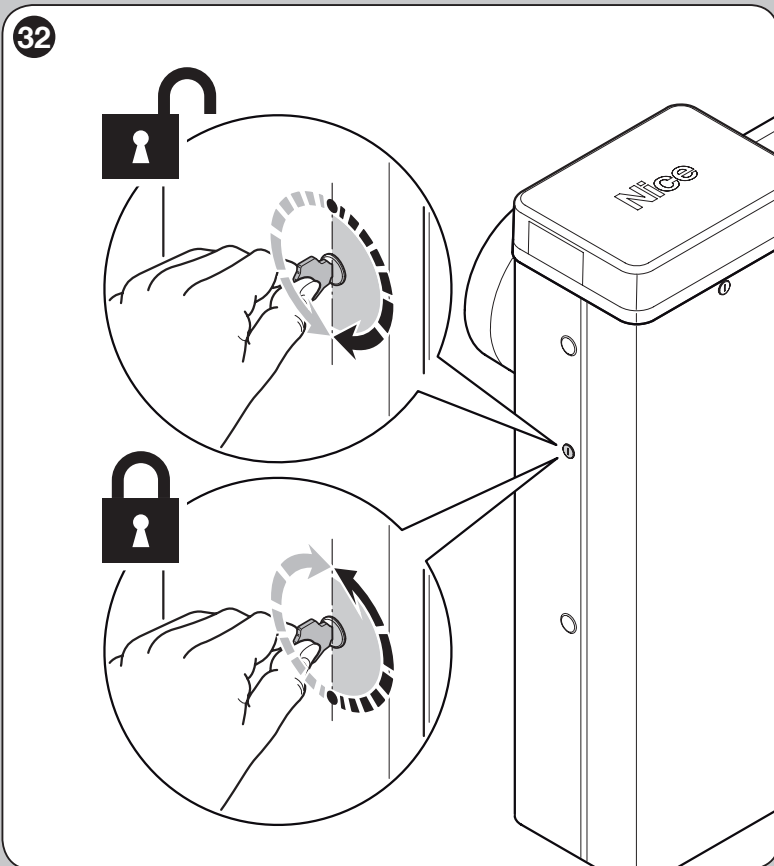
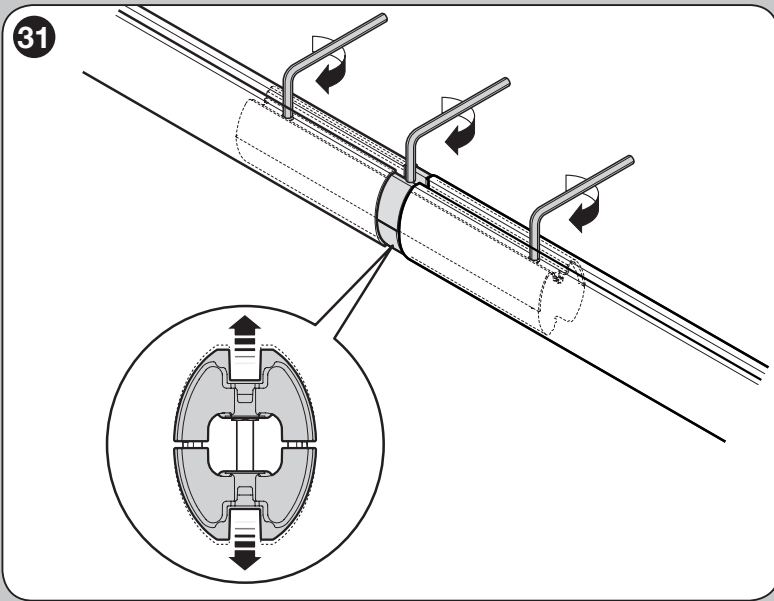
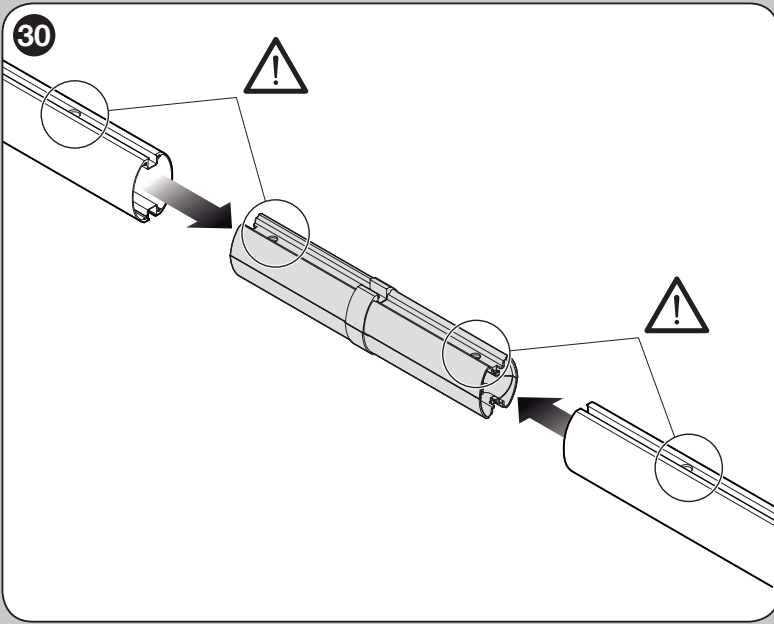


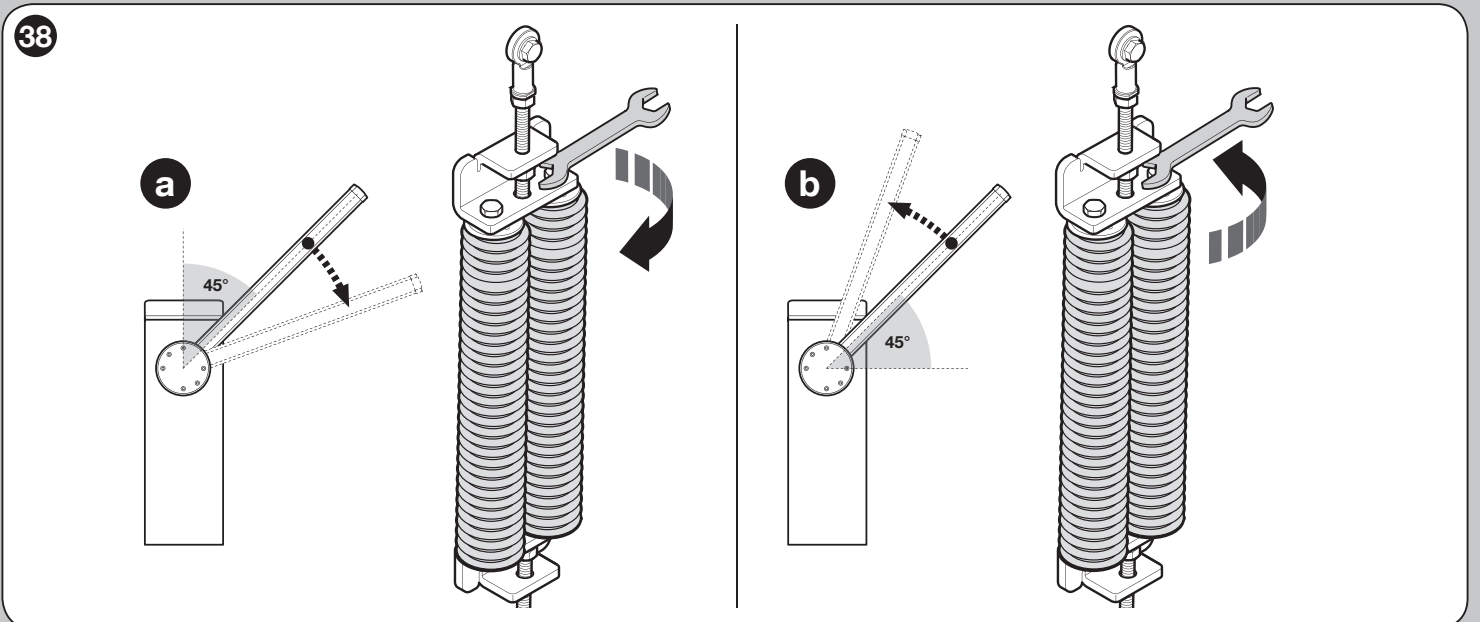
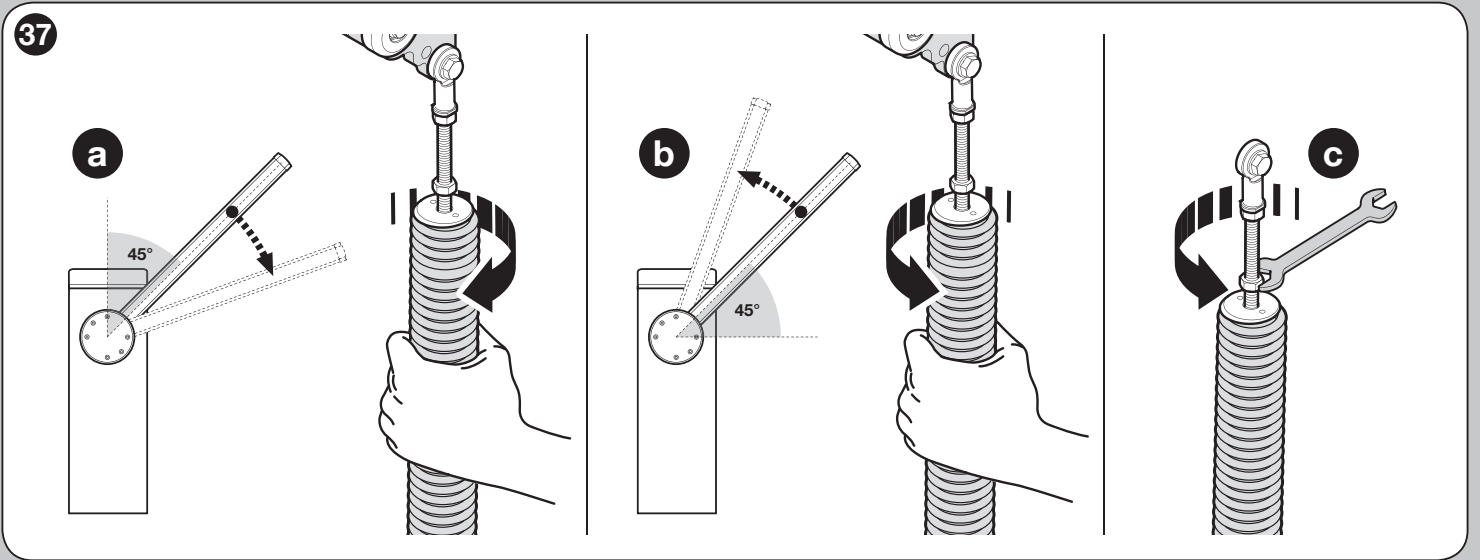
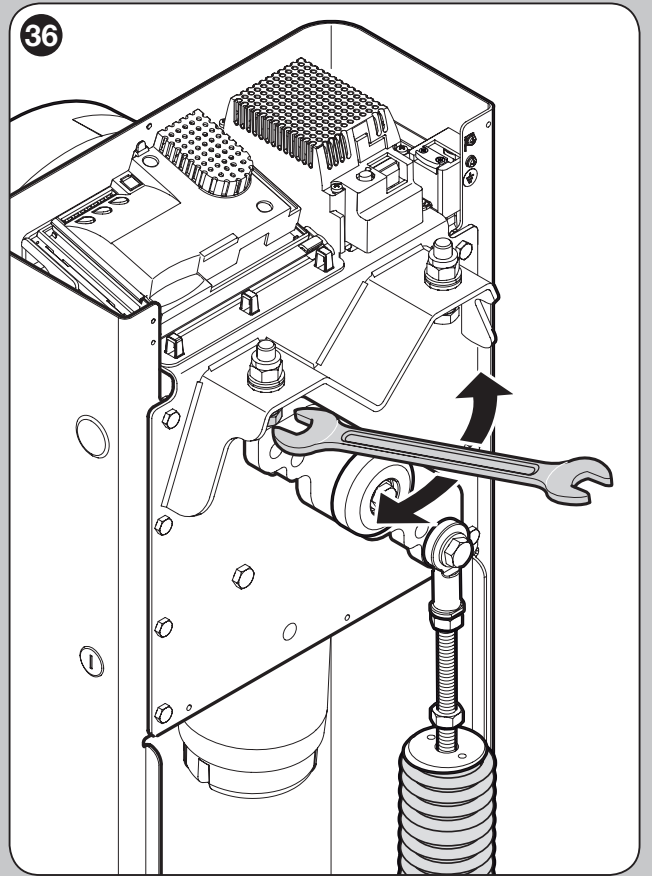
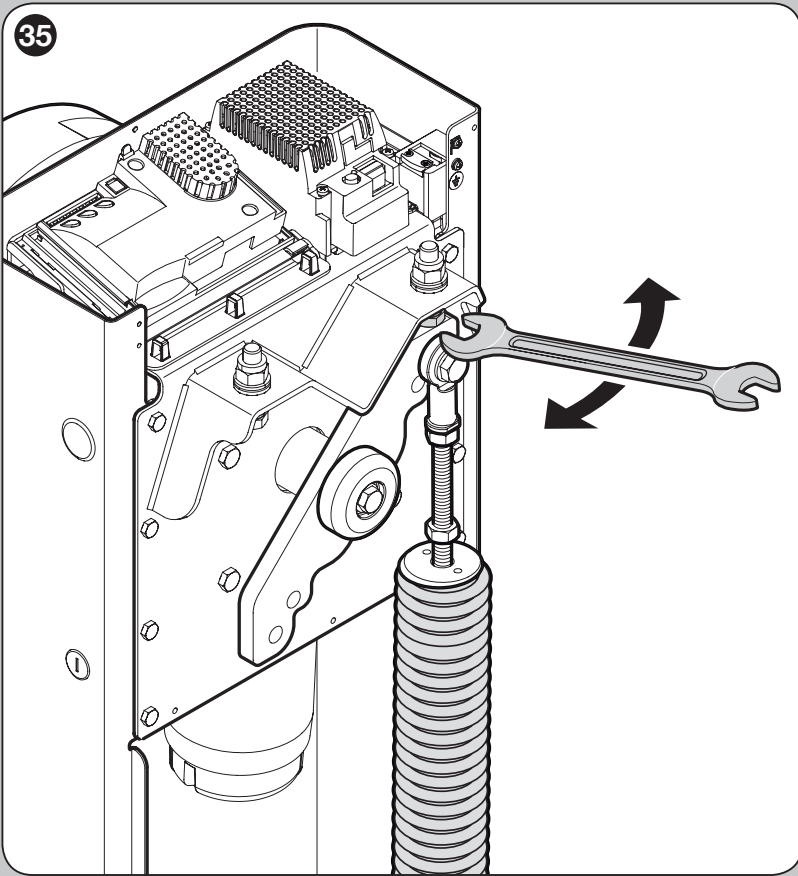
28



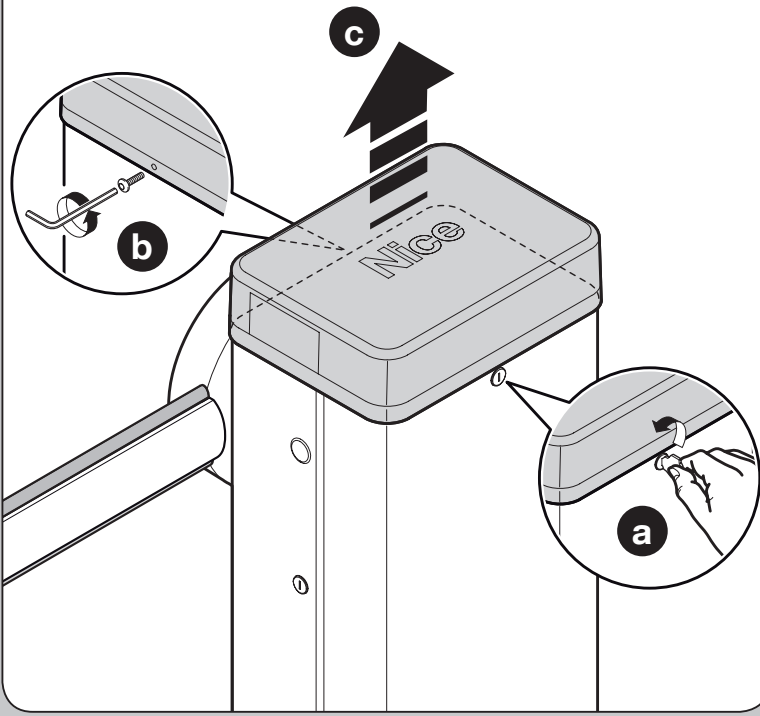
29



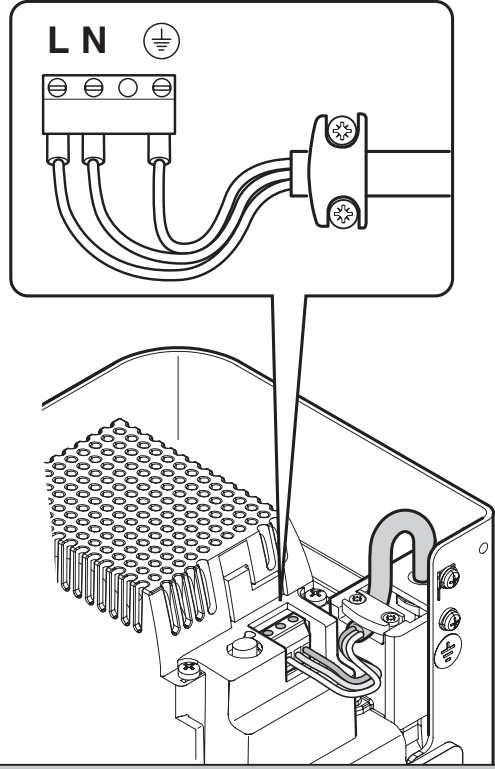




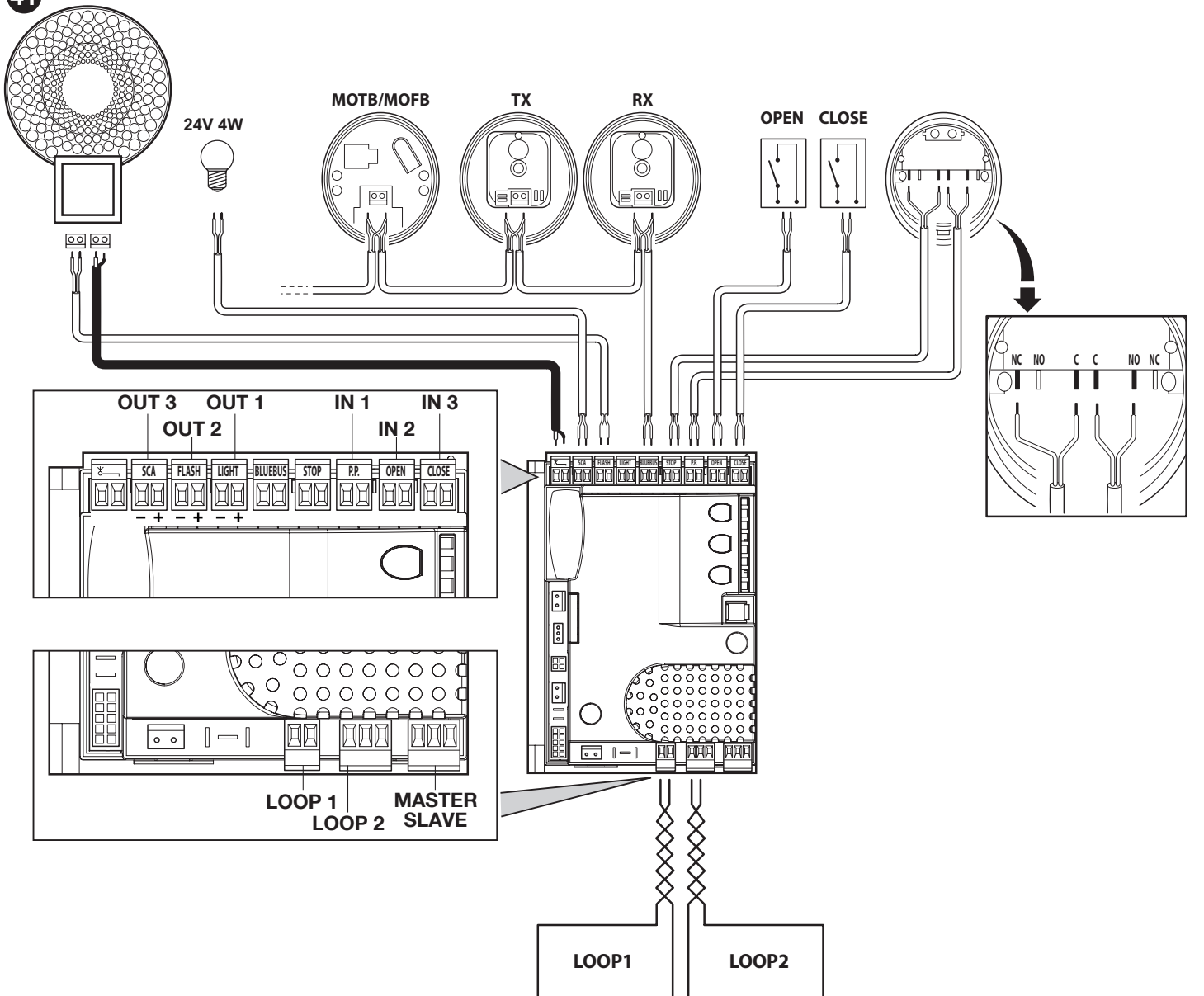
39

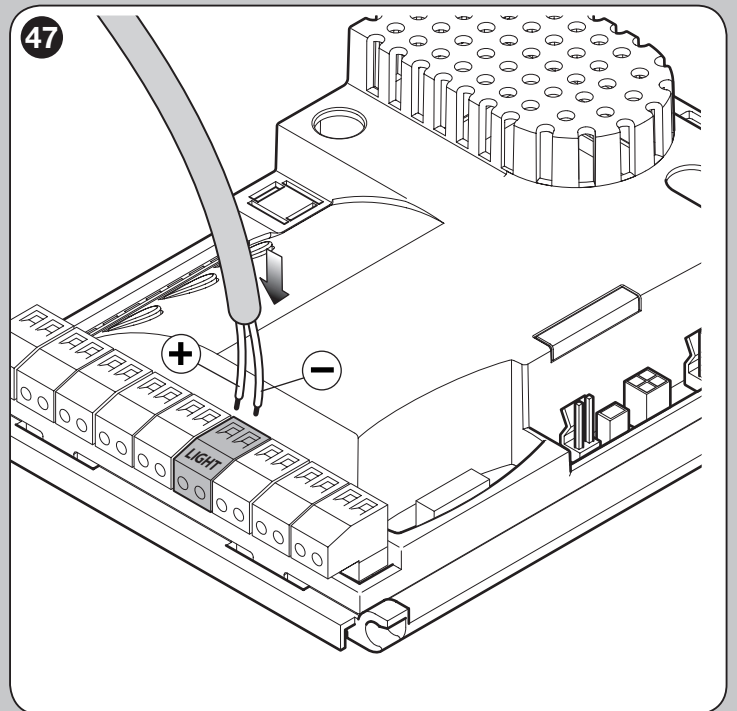
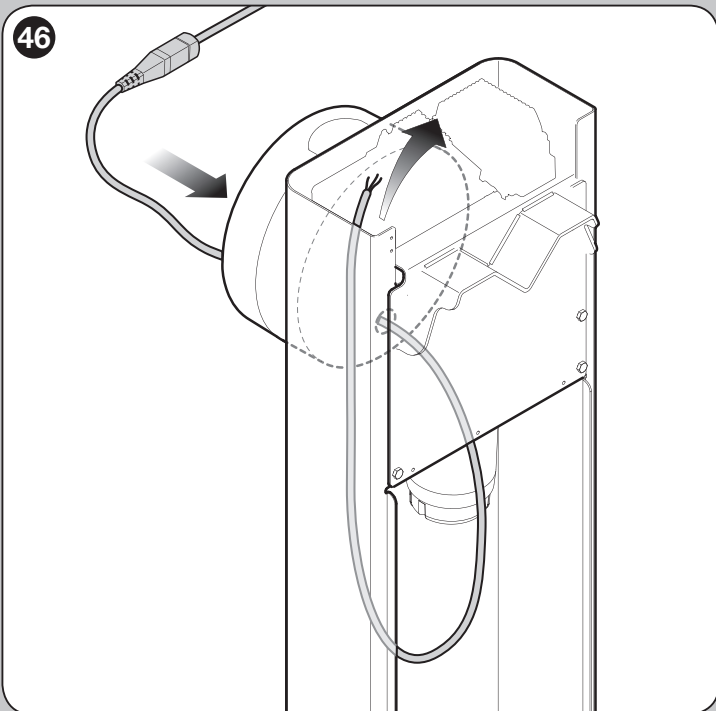
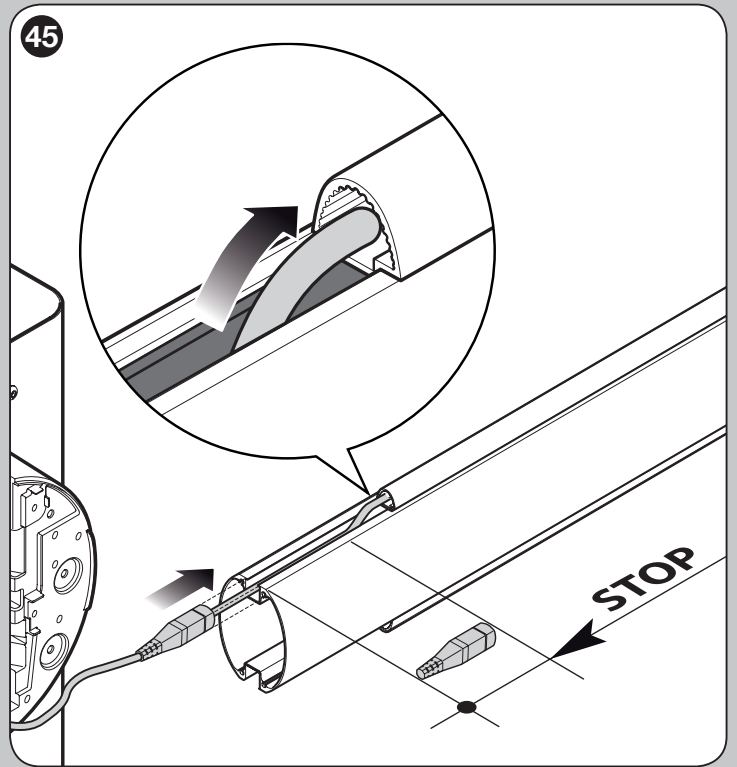
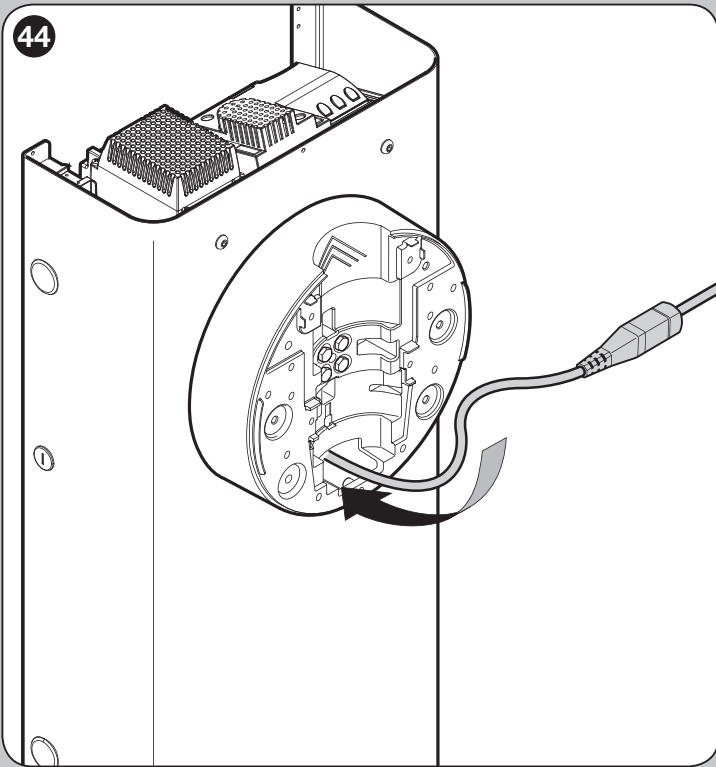
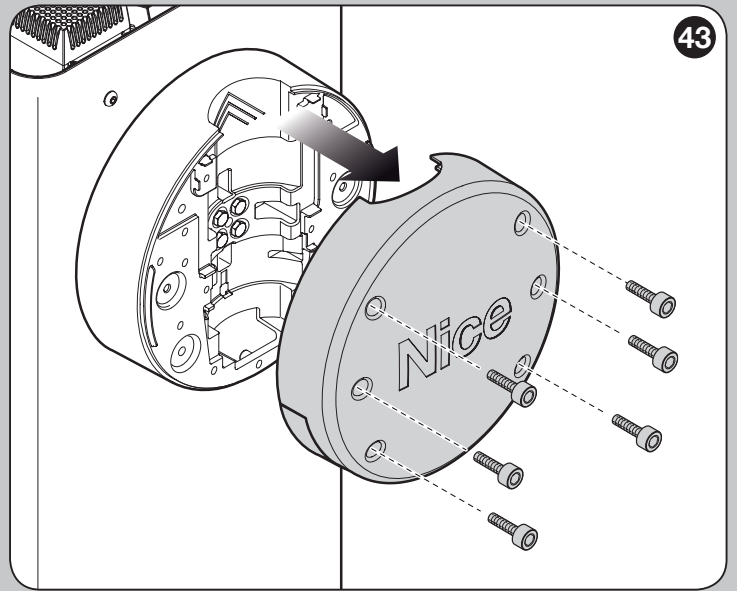
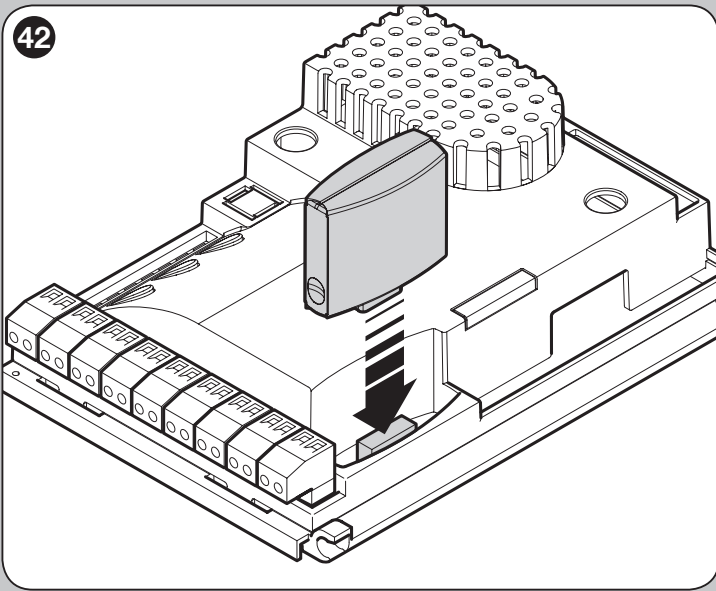


40

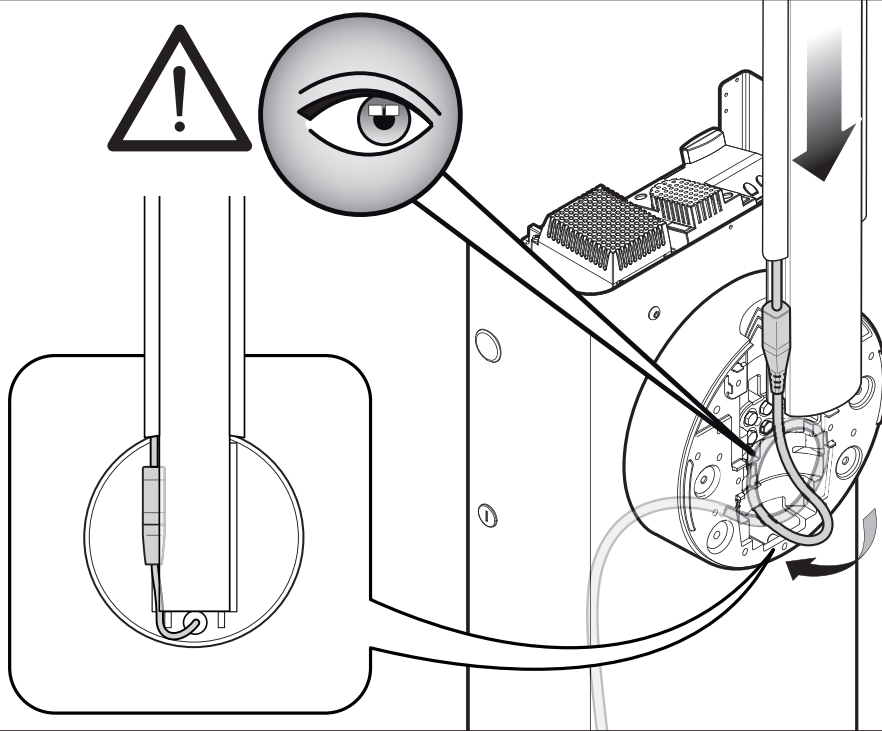


41

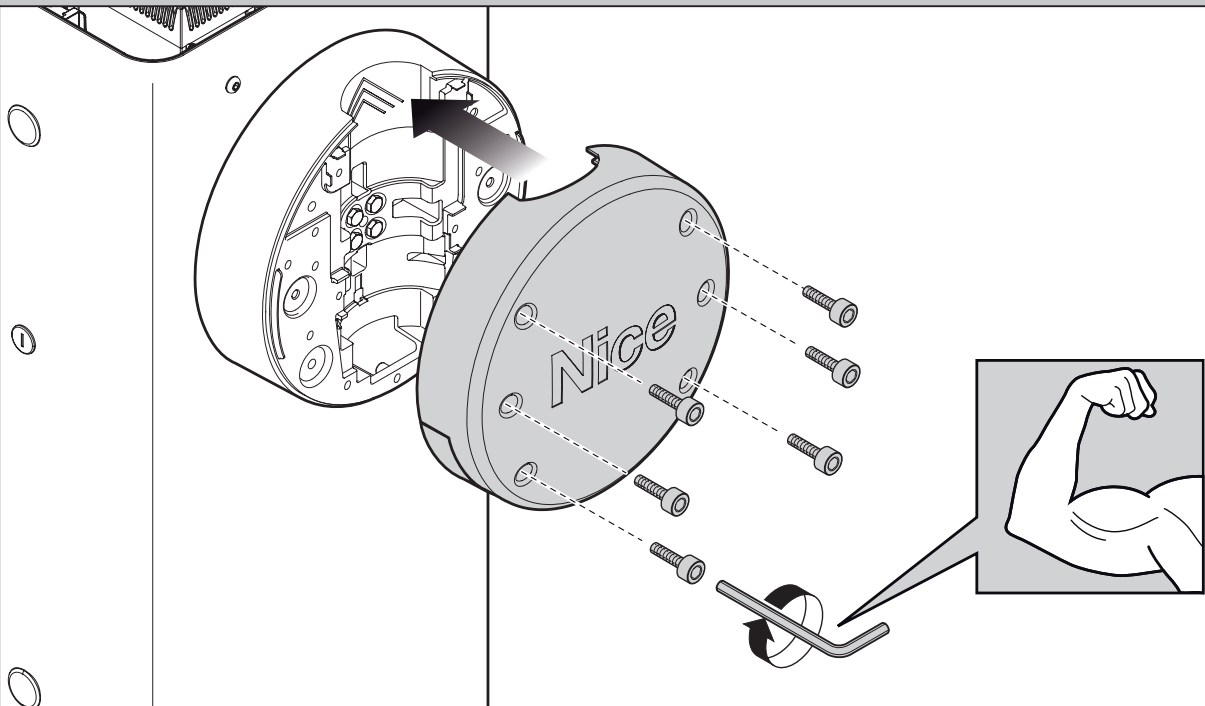




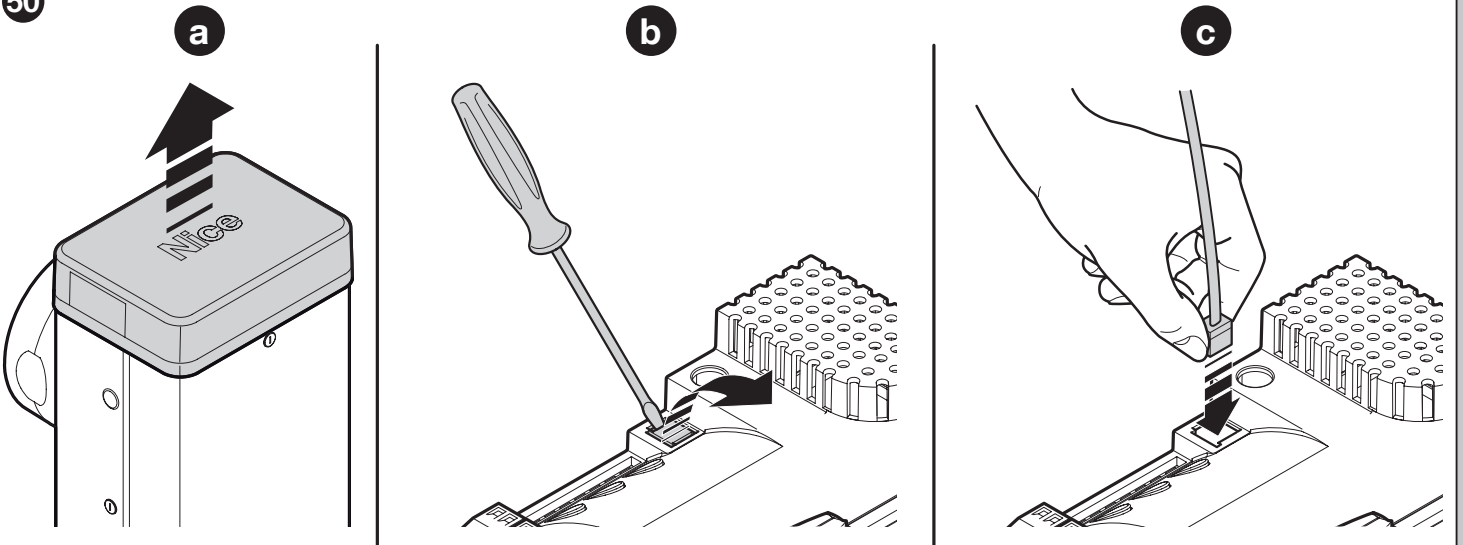
48



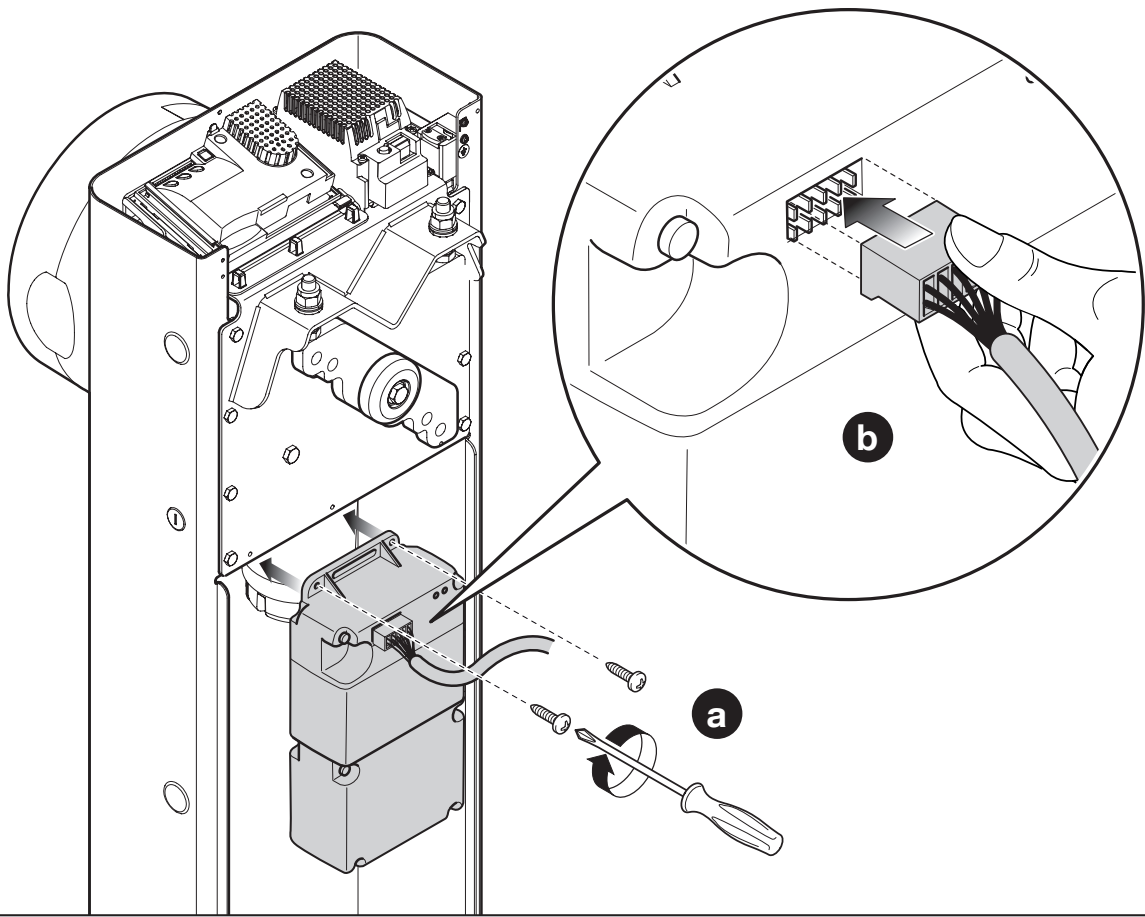
49



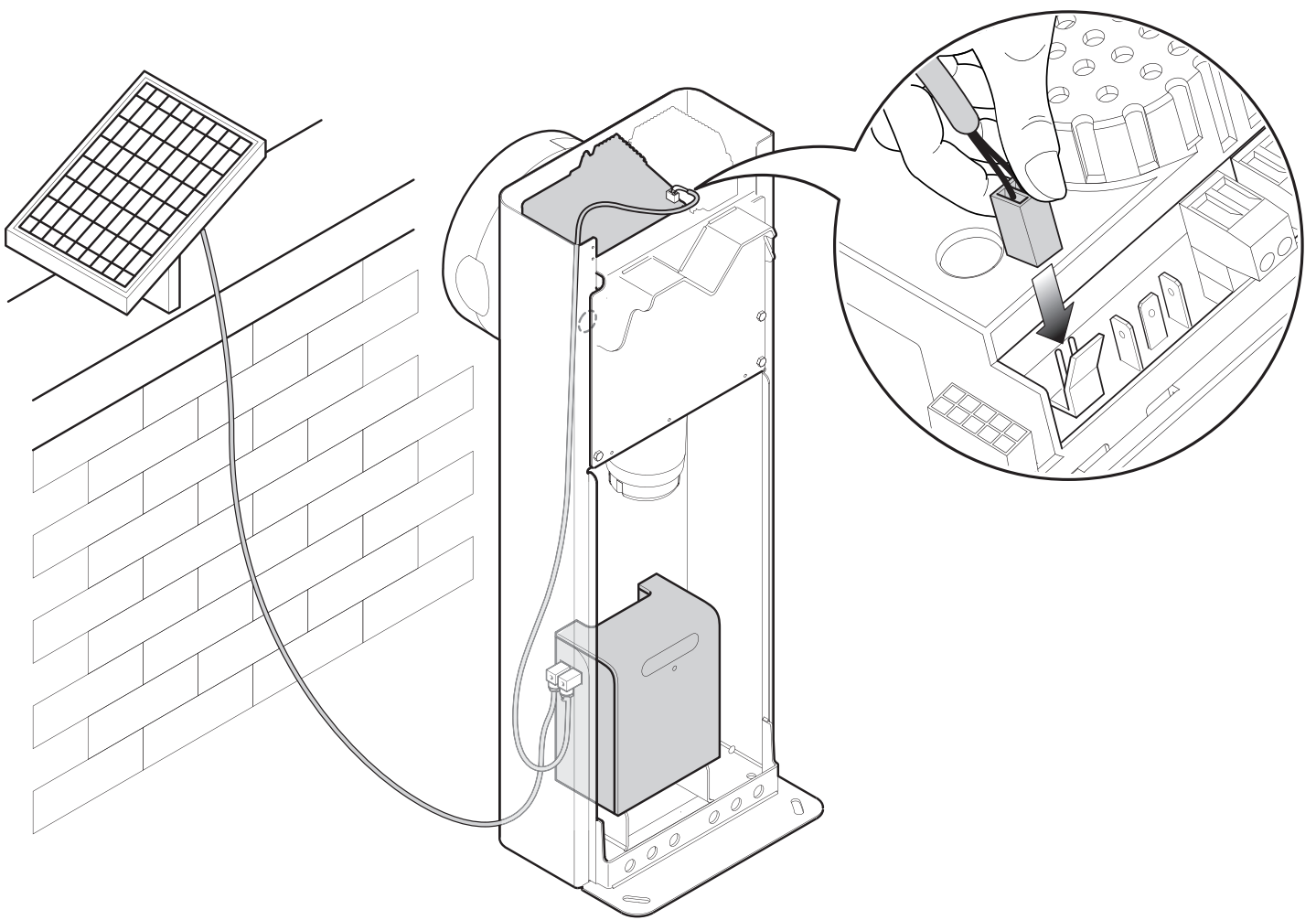
50



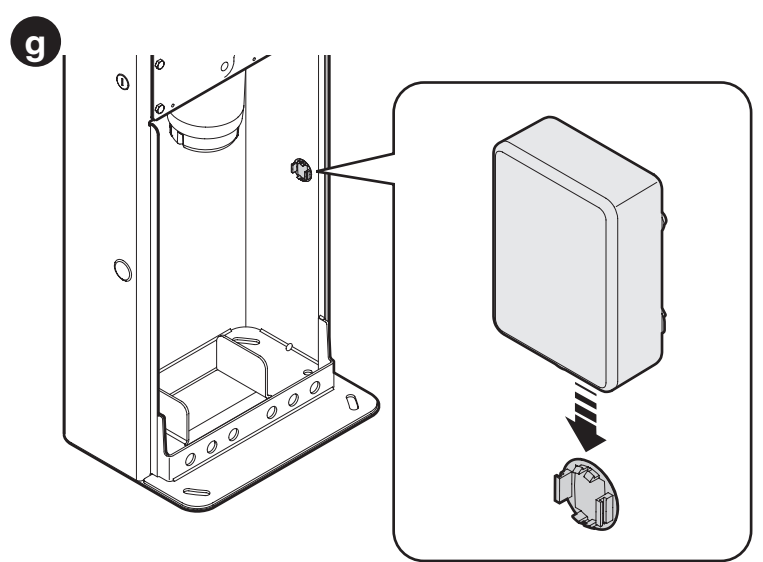
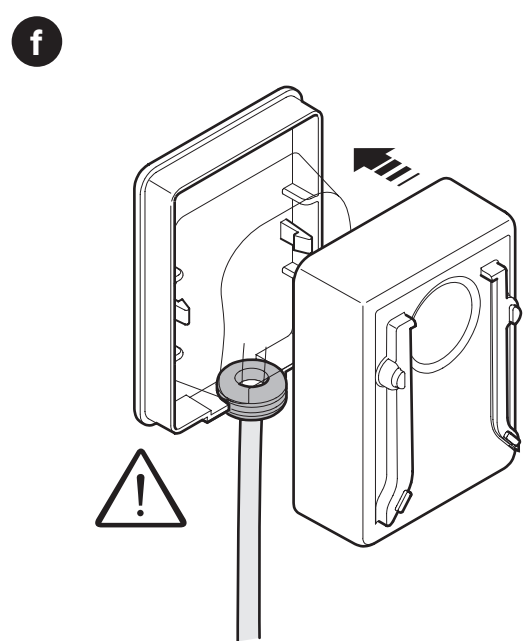
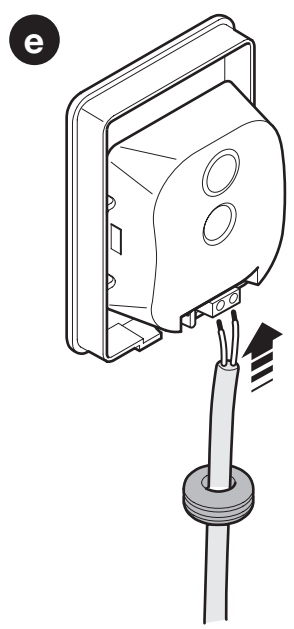
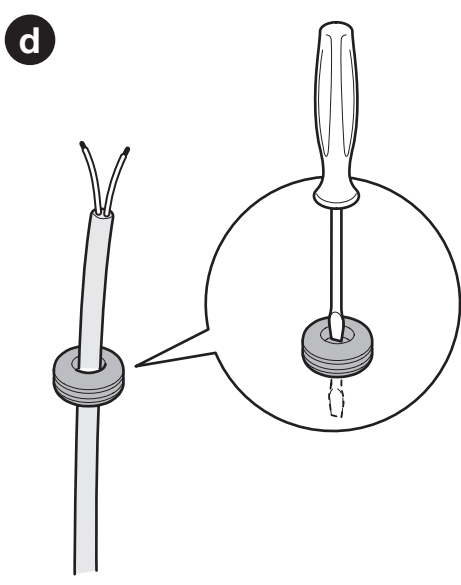
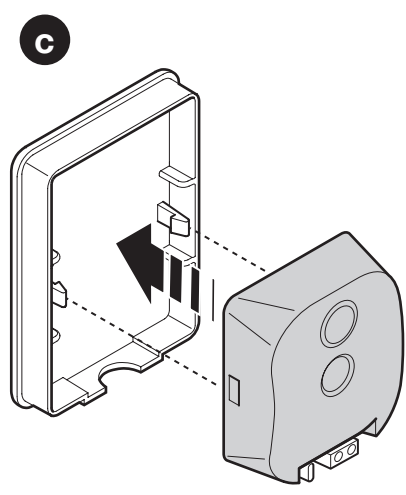
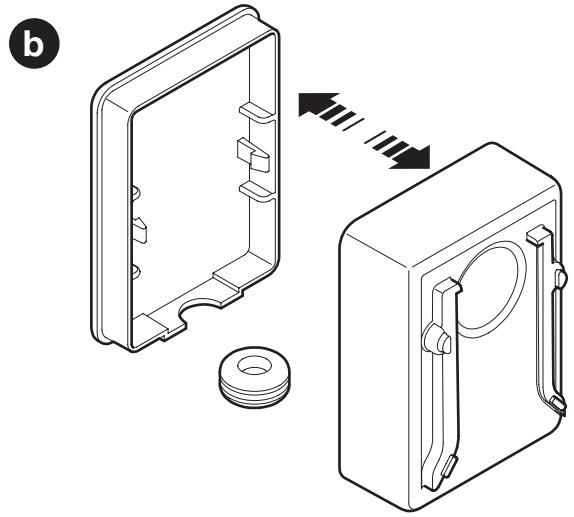
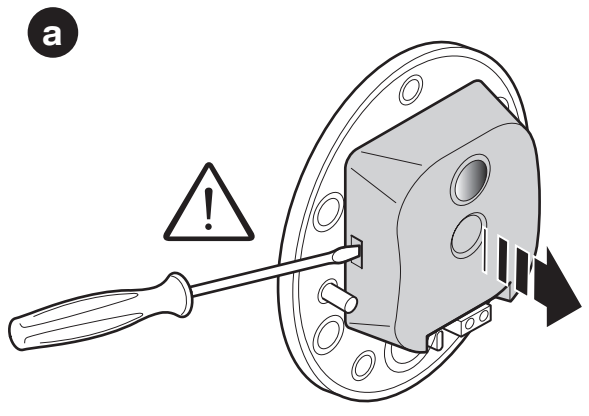
51

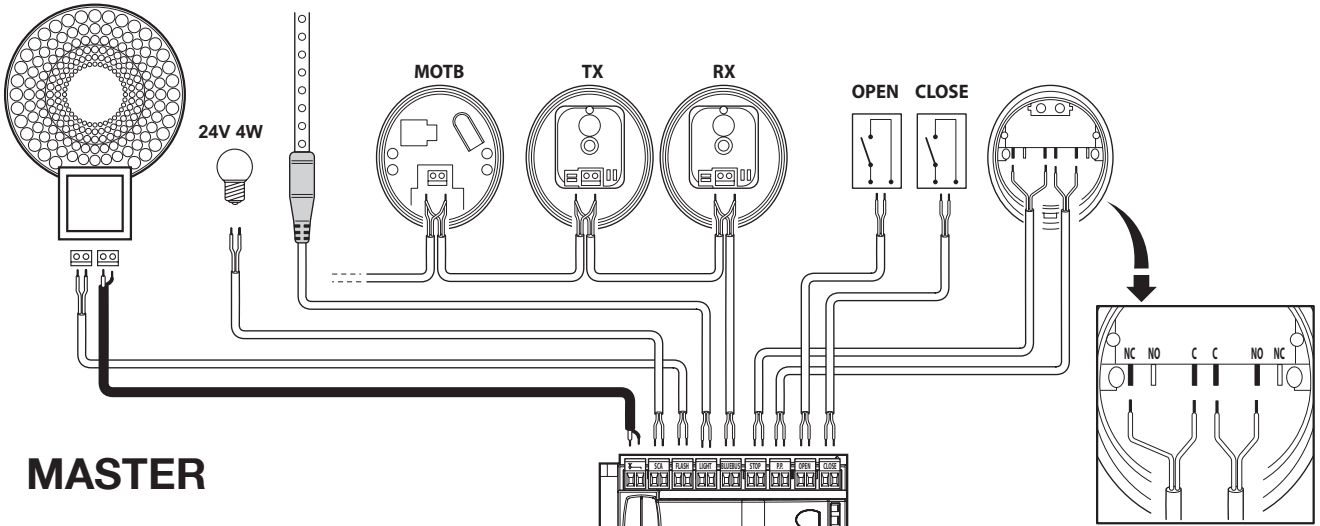


52

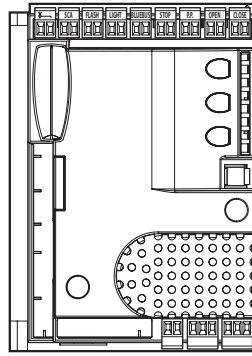
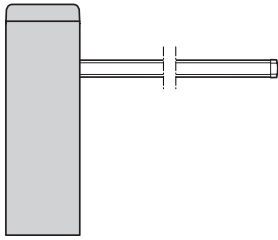




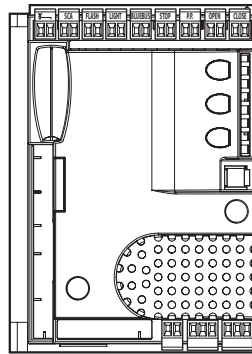
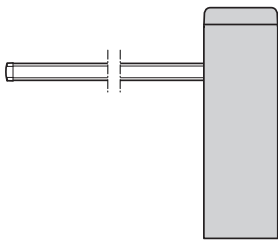
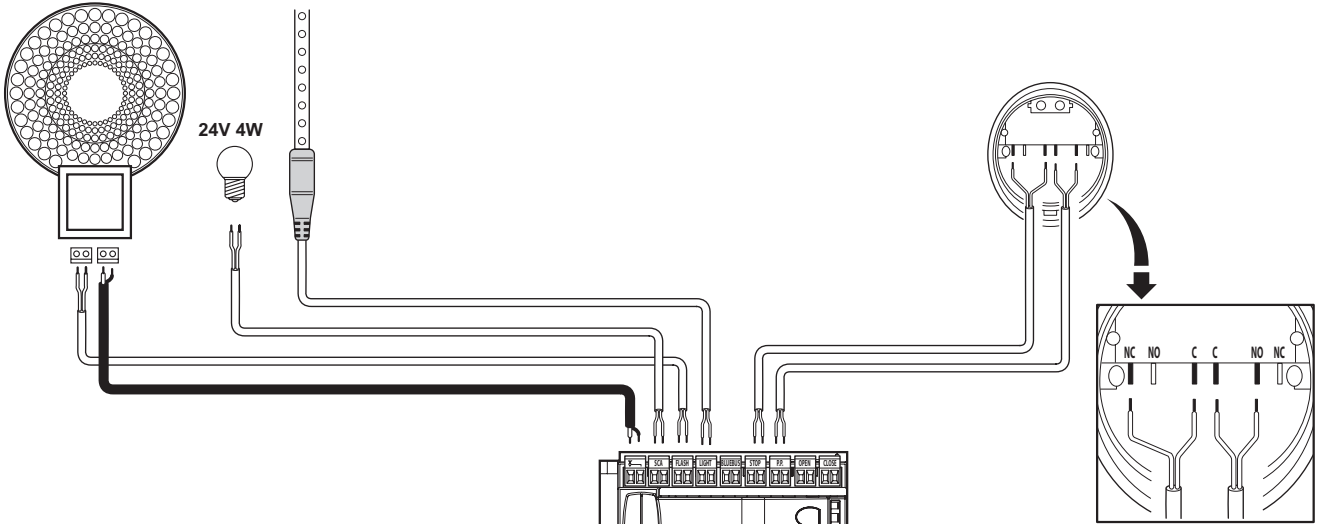


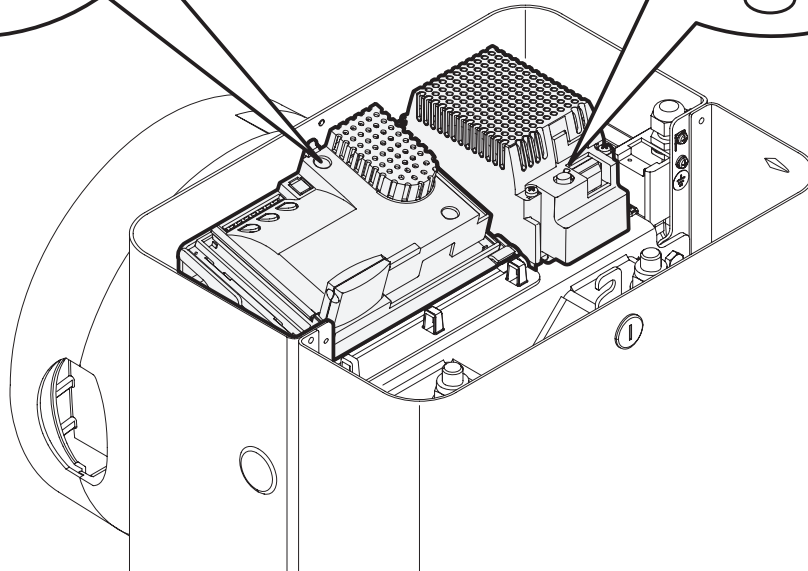
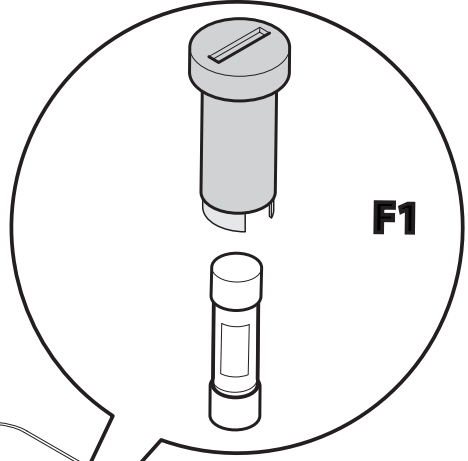
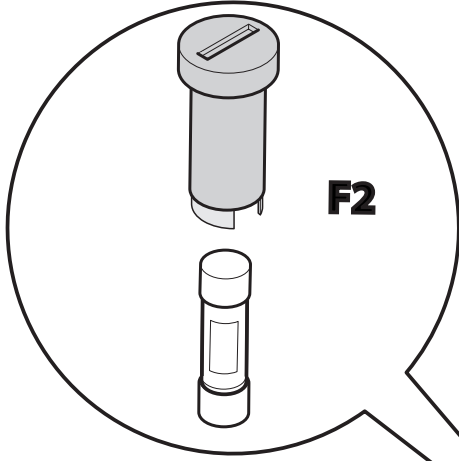


### MASTER



### SLAVE







**Nice S.p.A.**  
Via Callata, 1  
31046 Oderzo TV Italy  
info@niceforyou.com

[www.niceforyou.com](http://www.niceforyou.com)