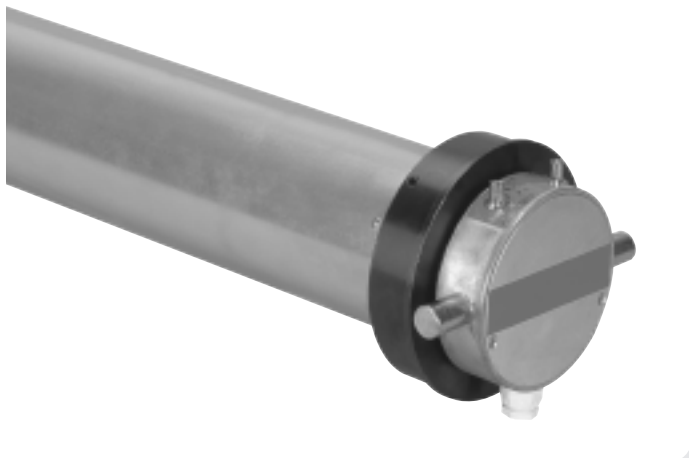


Tubular motors range



Presentation of tubular motor range	29
Selection chart	30
LT 60	34
Technical data	35
References	36
LT 60 CSI	37
Technical data	38
References	39
LT60 Adaptor sets	40
LT60 accessories	42
LT 80 H SEL	54
Technical data	55
LT80H adaptor	56
LT80H accessories	57
LT 80 SEL – LT 80 M SEL	64
Technical data	65
LT 90 SEL – LT 90 M SEL	67
Technical data	68
LT80 & LT90 adaptors	70
LT80 & LT90 accessories	72

Presentation of tubular motors

The discreet solution for grilles and metal curtains

The LT 60, LT 80 SEL, LT 90 SEL SOMFY motors are the best solution to motorise metal grilles and curtains with a reduce size. Located inside the roller tube, they reduce considerably the total diameter of the system, when the curtain is rolled up on the shaft. This wide range of single or three-phase motors cup to 800 Nm allows to motorize 700 kg fabrics. Associated to the SD control boxes, LT 60, LT 80 SEL, LT 90 SEL tubular motors enable to realize installations in accordance with European standards.

Security

All motors have built-in protection and are protected against the ingress of dust and water.

Integrated electromagnetic brake allowing to maintain the shutter in any position.

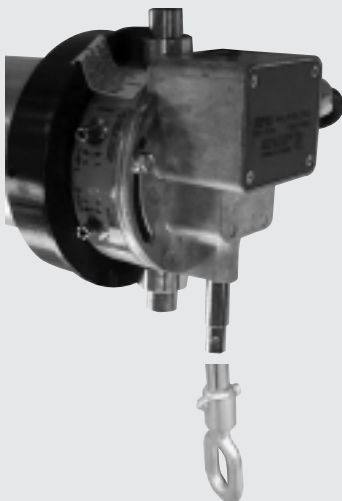
Optimal safety brakes are available to be in accordance with the EN 12604 european standard.



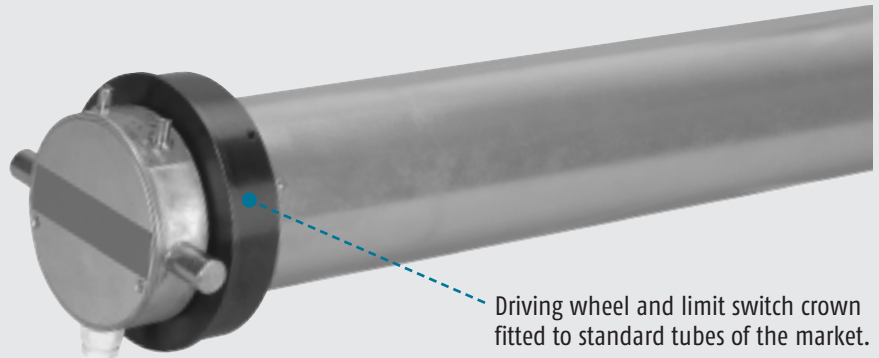
Available with an integrated manual override

The manual override integrated to the motorhead is the best solution to operate your closure in case of power failure (LT 60 CSI, LT 80 M SEL and LT 90 M SEL motors).

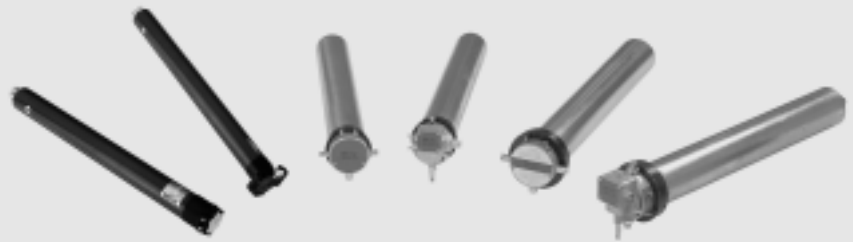
A large choice of shafts and cranks can be used to complete this system.



From now, SOMFY distributes LT 80 SEL and LT 90 SEL motors with or without adaptor sets (adaptable or adapted motors).

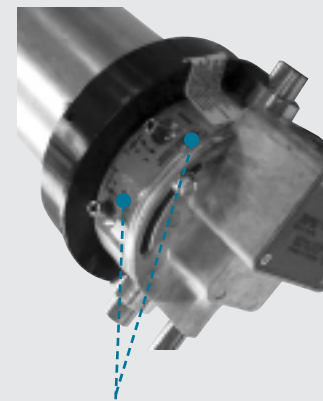


Driving wheel and limit switch crown fitted to standard tubes of the market.



Safety limit switches

To fulfill the requirements of new EN 12453 European standard, SOMFY has developed a safety end limit device integrated in its whole range of tubular motors LT 80 SEL and type LT 90 SEL. A third switch cuts power supply of the motor in case of going beyond the up or down limits. This switch acts in the two directions of rotation.



Rapid limit switch system

Whether it is a standard motor or a motor with integrated manual override, the setting knobs of the end-limit positions are permanently accessible on the motor head. Also, the up and down positions are easy to set during the installation.

A locking system avoids the loss of adjustment of the end limits (LT 80 SEL, LT 80 M SEL, LT 90 SEL and LT 90 M SEL motors).



Tubular motor range

Tubular motors range

	Motor Type	Power Supply
LT 60	55/17	Mono Phase
	60/12	Mono Phase
	70/17	Mono Phase
	80/12	Mono Phase
	85/17	Mono Phase
	100/12	Mono Phase
	120/12	Mono Phase
LT 80 SEL	150/8 H	Mono Phase
	150/8	Mono Phase
	200/8 H	Mono Phase
	200/8	Mono Phase
	250/8	Mono Phase
	300/8	Tri Phases
LT 90 SEL	350/8	Mono Phase
	400/8	Tri Phases
	450/8	Mono Phase
	600/9	Tri Phases

H: Hercule

Tubular motor range

Selector chart for rolling shutters & grills

How to choose the motor:

To determine the motor for your application, it is necessary to take into account the total weight of the shutter and the diameter of the rolling tube.

- **Shutter total weight**

Total weight obtained by multiplying the surface (width x height) of the shutter by the weight in m² of the material used.

- **Tube diameter**

According to the width, the weight, the thickness of your shutter slats and the required opening speed, you determine the rolling tube diameter by means of the tube selection chart.

- **Motor choice**

Somfy presents motor selection charts according to the total height and to the total weight of the shutter (the safety coefficients are included). You select your motor according to these 2 data.

Example :

Shutter height : 4 m

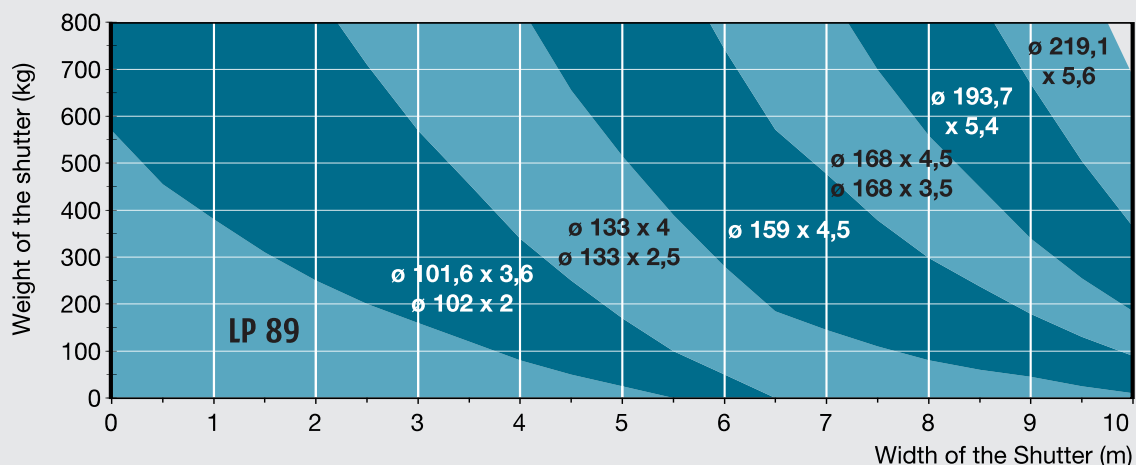
Total shutter weight : 140 Kg

Tube diameter : \varnothing 101,6 mm x 3,6 or \varnothing 102 mm x 2

You need a motor model LT 80 SEL – 150 Nm

You will find all the specific technical characteristics, the dimensions as well as the main assembly types in the motor description.

- **Tube choice (outside diameter)**



Selection charts and limits of use mentioned in this catalogue are given for information and vary according to each installation characteristic (more particularly : type of slats, frictions, conditions of installation, variation in power supply voltage, torque variations due to each awning kinematics and to its springs strength). Neither the manufacturer nor the seller can take on the responsibility in case of body and material damages. Recommendations for the use of tubes require careful attention as well (see profiler's charts).

Each manufacturer of awnings and roller shutters will have to test the products in order to determine his own selection charts. For any special case, please consult us.

Selection of the tube

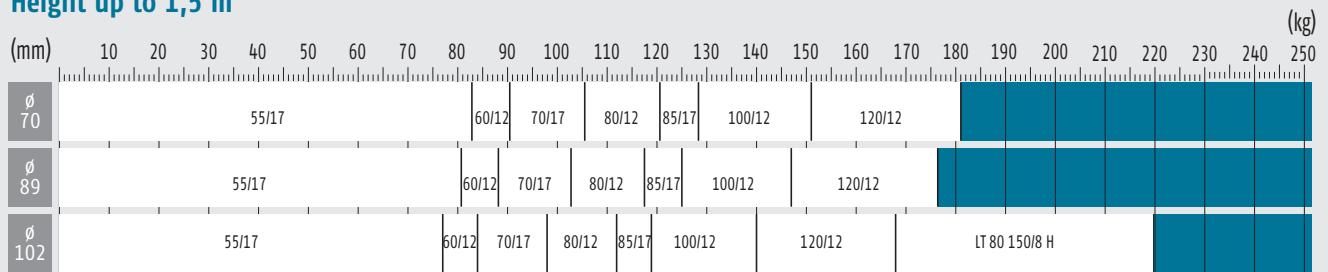
230 V / 50 Hz

Motor selector chart for grills & industrial doors

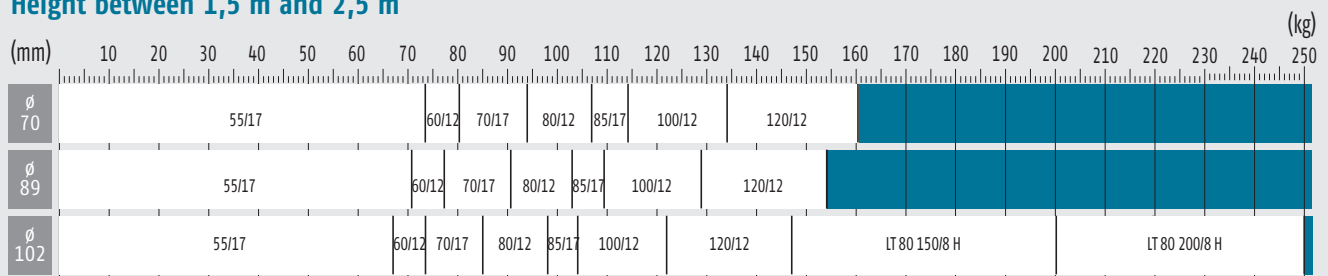
Motor selection

After selecting the tube diameter, and selecting the correct board depending on the type of slats, select the motor based on the height and the total weigh of the shutter (In the following charts a safety factor has already been taken into account, for frictions).

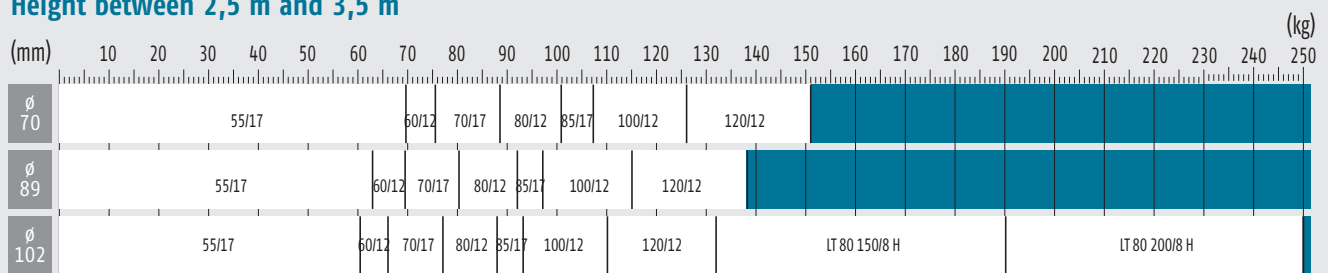
Height up to 1,5 m



Height between 1,5 m and 2,5 m



Height between 2,5 m and 3,5 m



Selection of the tube

230 V / 50 Hz

Motor selector chart for grills & industrial doors

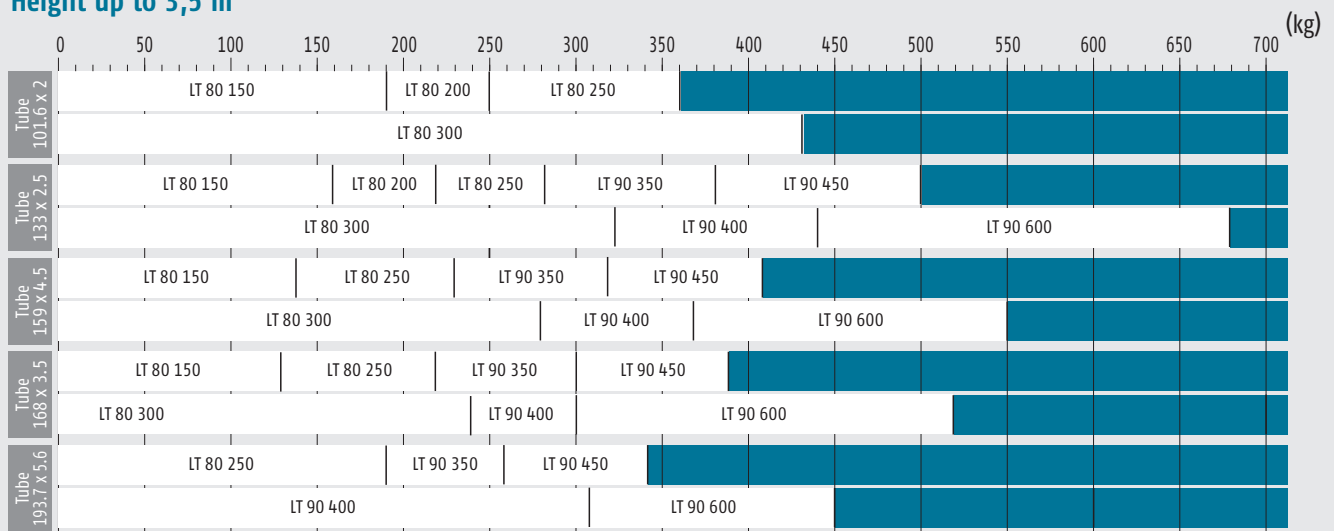
Type of slats: height 77 mm - thickness 19 mm

Motor selection

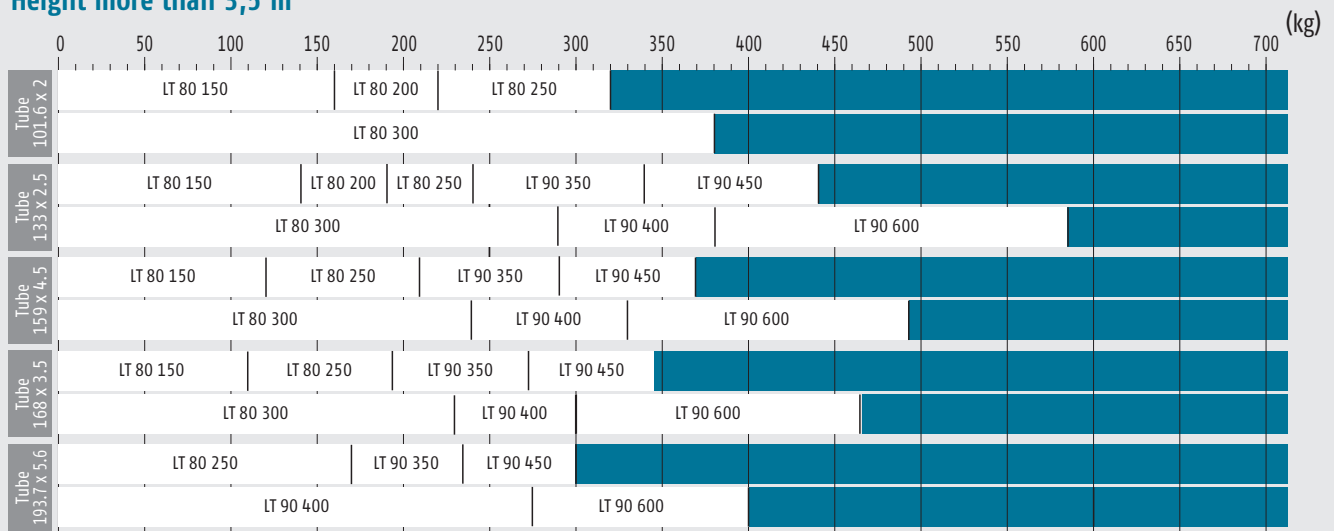
After selecting the tube diameter, and selecting the correct board depending on the type of slats, select the motor based on the height and the total weight of the shutter (In the following charts a safety factor has already been taken into account, for frictions).

Tubular motors range

Height up to 3,5 m



Height more than 3,5 m



LT 60 Motors

Standard range
230 V / 50 Hz

Tubular motors range

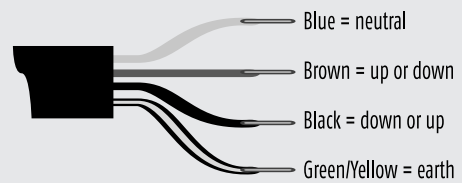
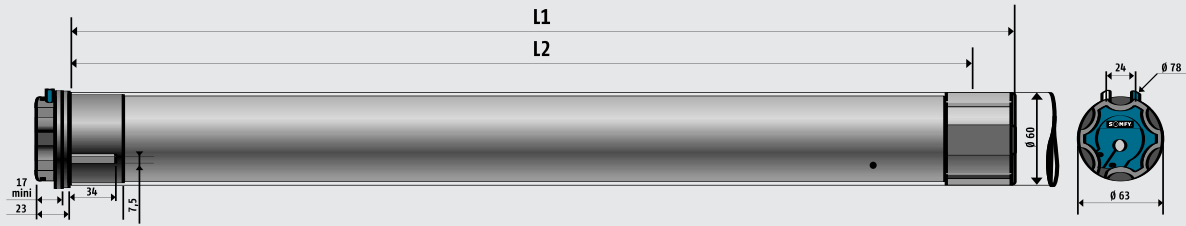


- Limit switch unit capacity : 35 turns.
- Supplied without adaptors.
- For intermittent use.
- Plug and play cable.
- For horizontal position
- Rapid-set push button limit switches
- Clip-on drive wheel and brackets
- Standard index of Protection : IP44
- Wide crown for improved tube fit (3 cm)

	Motor Type	Torque Nm	Speed rpm
LT 60	55/17	55	17
	60/12	60	12
	70/17	70	17
	80/12	80	12
	85/17	85	17
	100/12	100	12
	120/12	120	12

LT 60 Motors

Technical data



	55/17	60/12	70/17	80/12	85/17	100/12	120/12
L1	614	614	659	614	659	659	659
L2	597	597	642	597	642	642	642
Torque Nm	55	60	70	80	85	100	120
Speed (tr/min)	17	12	17	12	17	12	12
End limit capacity (number of turn)	35	35	35	35	35	35	35
Power supply	230	230	230	230	230	230	230
Power (W)	320	280	410	320	450	410	450
Current (A)	1,5	1,25	1,9	1,5	2,1	1,9	2,1
Thermal cut-out (min)	4	4	4	4	4	4	4
Operating temperature (°C)	-10°C to + 40°C	-10°C to + 40°C	-10°C to + 40°C	-10°C to + 40°C	-10°C to + 40°C	-10°C to + 40°C	-10°C to + 40°C
Weight (kg)	4,17	3,92	4,59	4,19	4,45	4,68	4,45
Standard cable length (m)	2,5	2,5	2,5	2,5	2,5	2,5	2,5
Number of cable	4	4	4	4	4	4	4
Cable size (mm)	0,75	0,75	0,75	0,75	0,75	0,75	0,75
Protection index	IP 44	IP 44	IP 44	IP 44	IP 44	IP 44	IP 44

LT 60 Motors

Standard range

230 V / 50 Hz

Tubular motors range

Reference	Description	Approval
1160004	LT ORION 40/17 WF 2,5M	NF
1161011	LT ORION S 55/17 WF 2,5M	NF
1163010	LT ANTARES 70/17 WF 2,5M	NF
1165008	LT JUPITER 85/17 WF 2,5M	NF
1162023	LT VEGA 60/12 WF 2,5M	NF
1164021	LT SIRIUS 80/12 WF 2,5M	NF
1166025	LT TITAN 100/12 WF 2,5M	NF
1167017	LT TAURUS 120/12 WF 2,5M	NF
1161180	LT ORION S 55/17 WF 2,5M ARAB - UNIT	MULTI
1163126	LT ANTARES 70/17 WF 2,5M ARAB - UNIT	MULTI
1160074	LT JUPITER 85/17 WF 2,5M ARAB - UNIT	MULTI
1164172	LT SIRIUS 80/12 WF 2,5M ARAB - UNIT	MULTI
1166201	LT TITAN 100/12 WF 2,5M ARAB - UNIT	MULTI
1167111	LT TAURUS 120/12 WF 2,5M ARAB - UNIT	MULTI

Standard range SASO

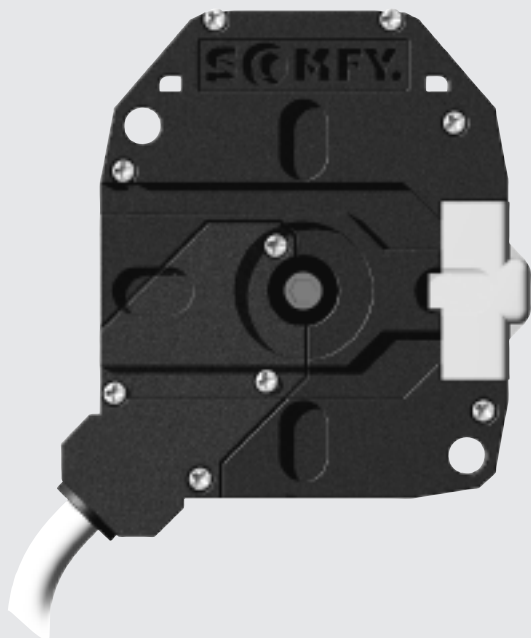
220 V / 60 Hz

Reference	Description	Approval
1162057	660R6 60/14 SASO WF 2,5M	WOA
1164075	680R6 80/14 SASO WF 2,5M	WOA
1166085	6100R6 100/14 SASO WF 2,5M	WOA

LT 60 CSI Motors

230 V / 50 Hz

Standard range



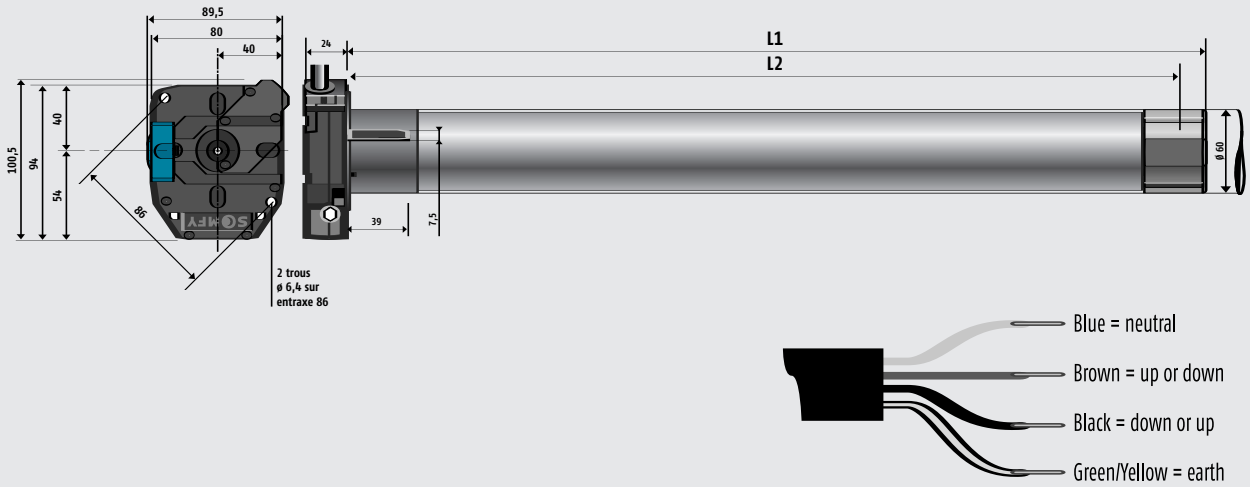
- Hi pro rapid-set limit buttons.
- Limit switch unit capacity : 34 turns.
- Limit switches can be set from the opposite side of the motor head, thanks to a setting tool (ref. 9910019)
- Supply cable with removable connector.
- Crank shaft drive either 6 mm square or 7 mm hexagonal shaft.
- Reduction rate 1/55eCSI 60 .
- Protection rating: IP44.
- Delivered without adaptations and crank.
- To be horizontally positioned
- Standard 12 mm diameter stud mounting possibility

Tubular motors range

	Motor Type	Torque Nm	Speed rpm
LT 60	55/17	55	17
	60/12	60	12
	70/17	70	17
	80/12	80	12
	85/17	85	17
	100/12	100	12
	120/12	120	12

LT 60 CSI

Technical data



	55/17	70/17	85/17	100/17	120/12
L1	646	681	681	681	681
L2	630	665	665	665	665
Torque Nm	55	70	85	100	120
Speed (tr/min)	17	17	17	12	12
End limit capacity (number of turn)	34	34	34	34	34
Power supply	230	230	230	230	230
Power (W)	320	410	450	410	450
Current (A)	1,5	1,9	2,1	1,9	2,1
Thermal cut-out (min)	4	4	4	4	4
Operating temperature (°C)	-10°C to + 40°C	-10°C to + 40°C	-10°C to + 40°C	-10°C to + 40°C	-10°C to + 40°C
Weight (kg)	4,91	5,31	5,52	5,4	5,56
Standard cable length (m)	2,5	2,5	2,5	2,5	2,5
Number of cable	4	4	4	4	4
Cable size (mm)	0,75	0,75	0,75	0,75	0,75
Protection index	IP 44	IP 44	IP 44	IP 44	IP 44

LT 60 CSI Motors

CSI range

230 V / 50 Hz

Reference	Description	Approval
1161000	LT ORION S 55/17 CSI WF	NF
1162002	LT VEGA 60/12 CSI WF 2,5M	NF
1163001	LT ANTARES 70/17 CSI WF 2,5M	NF
1164003	LT SIRIUS 80/12 CSI WF 2,5M	NF
1165000	LT JUPITER 85/17 CSI WF 2,5M	NF
1166002	LT TITAN 100/12 CSI WF 2,5M	NF
1167003	LT TAURUS 120/12 CSI WF 2,5M	NF
1161179	LT ORION S 55/17 CSI WF 2,5M ARAB - UNIT	MULTI
1162217	LT VEGA 60/12 CSI WF 2,5M ARAB - UNIT	MULTI
1163125	LT ANTARES 70/17 CSI WF 2,5M ARAB - UNIT	MULTI
1164171	LT SIRIUS 80/12 CSI WF 2,5M ARAB - UNIT	MULTI
1165162	LT JUPITER 85/17 CSI WF 2,5M ARAB - UNIT	MULTI
1166200	LT TITAN 100/12 CSI WF 2,5M ARAB - UNIT	MULTI
1167110	LT TAURUS 120/12 CSI WF 2,5M ARAB - UNIT	MULTI

Tubular motors range

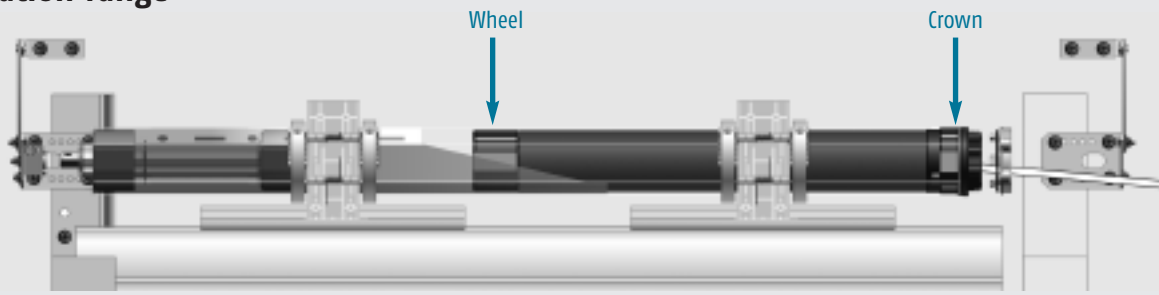
CSI range SASO

220 V / 60 Hz

Reference	Description	Approval
1162058	660R6 60/14 CSI SASO WF 2,5M	WOA
1164076	680R6 80/14 CSI SASO WF 2,5M	WOA
1166086	6100R6 100/14 CSI SASO WF 2,5	WOA

LT 60 Motors

Adaptation range



Tubular motors range

	Tube	Wheel	Crown	Adaptor set	Ref.
Imbac octo 70				Wheel + Crown:	Ref. 9420335
Selve martin sw 70				Wheel + Crown:	Ref. 9420335
ZF 80				Wheel + Crown:	Ref. 9420339
Kittelberger ø 76				Wheel + Crown:	Ref. 9420338
Deprat F-5039 ø 89				Wheel + Crown:	Ref. 9420333
Mischer ø 100				Wheel + Crown:	Ref. 9001502
ø 102x2				Wheel + Crown:	Ref. 9001502
ø 108x4				Wheel + Crown:	Ref. 9420320

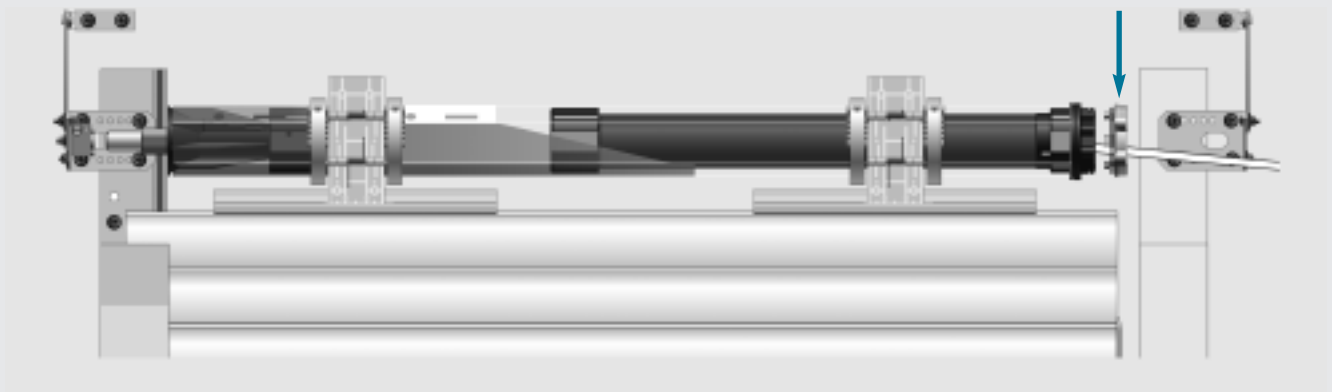
LT 60 Motors

Others adaptations ø 60

9420303	Wheel LT 50/60 tube 89x2
9420308	Wheel LT 60 tube 130x2
9420309	Wheel LT 50/60 tube 101,6x3,6
9420310	Wheel LT 60 tube 133x2,5
9420311	Wheel LT 60 tube 133x4
9420318	Adaptator set LT 60 tube ø 101,6x3,6
9420321	Adaptator set LT 60 tube ø 130x2
9420323	Adaptator set LT 60 tube ø 133x2,5
9420324	Adaptator set LT 60 tube ø 133x4
9420337	Adaptator set LT 60 tube Butzbach hexa 75x1,4
9420340	Adaptator set LT 60 tube Butzbach hexa 85
9420343	Wheel LT 60 tube Heroal octo 125
9420355	Adaptator set LT 60 tube ø 102x2,5 octo
9420356	Adaptator set LT 60 tube Heroal octo 125
9520312	Crown LT 60 tube de 89x2
9420371	Crown LT 50/60 tube 101,6x3,6
9520391	Crown LT 60 tube 130x2
9520413	Crown LT 60 tube 133x2,5
9520435	Crown LT 60 tube 133x4
9701069	Crown LT 60 Heroal octo 125
9707642	Crown LT 60 Butzbach 85 hexa
9707646	Crown LT 60 Butzbach 75
9761006	Wheel LT 60 Butzbach hexa 75x1,4
9761008	Wheel LT 60 Butzbach hexa 85
9761013	Wheel LT 60 tube octo 102x2,5
9762013	Crown LT 60 tube octo 102x2,5

LT 60 Motors

Motor brackets

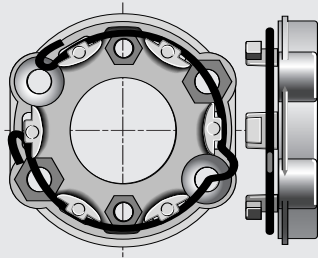


Universal motor bracket LT 50 / LT 60 zamak

Ref. 9910000

Delivered without screws ref. 206033. Use screws bag ref. 670002.

- Use limit: 85 N.m.

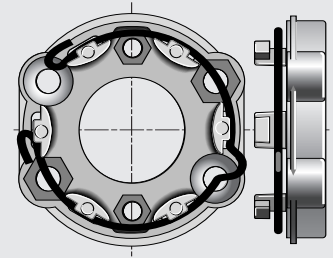


Universal motor bracket LT 50 / LT 60 zamak

Ref. 9910001

Supplied with set nut for screws M6 or M8.
Supplied with stop ring ref. 206033. Use screws bag ref. 670002.

- Use limit: 85 N.m.

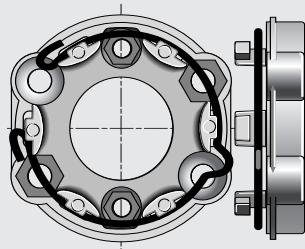


Universal bracket $\phi 50$ / $\phi 60$

Ref. 9420631

Zamak support supplied with stop
ring ref. 9206033.

- Use limit: 85 N.m.

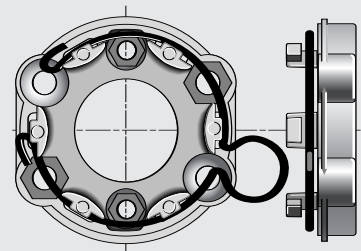


Bracket $\phi 50$ / $\phi 60$

Ref. 9420644

Zamak bracket supplied with buckle
ring ref. 9685025.

- Use limit: 85 N.m.



LT 60 Motors

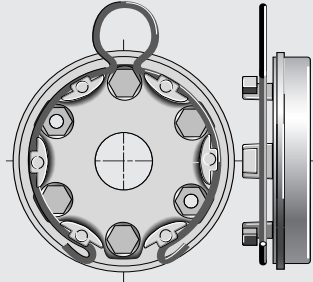
Brackets

Bracket $\phi 50 / \phi 60$

Ref. 9420624

Supplied with buckle ring ref. 9685025.

- Use limit: 85 N.m.

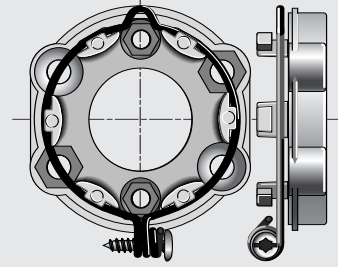


Universal bracket LT 60

Ref. 9910003

Supplied with locking stop ring ref. 910002.
To be use with Titan and Taurus motors.

- Use limit: 120 N.m.

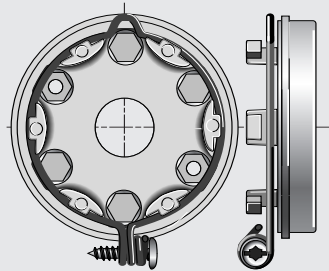


Bracket LT 60

Ref. 9420638

Supplied with locking stop ring ref. 910002.

- Use limit: 120 N.m.

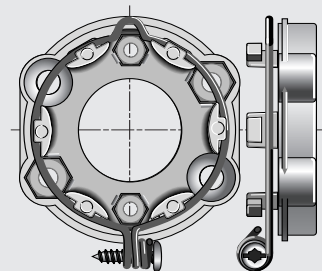


Universal bracket LT50 / LT60

Ref. 9910007

Supplied with locking stop ring.

- Use limit: 120 N.m.



LT 60 Motors

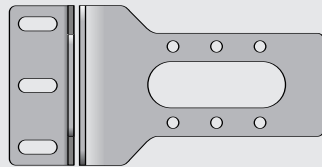
Plates / Brackets

Bracket to be fixed wall or ceiling $\phi 50 / \phi 60$

Ref. 9420604

For grill and industrial closures. Allow the mounting of the universal bracket ref. 9910000 or 9910003.

- Use limit: 120 N.m.



Brace to be fixed walls or ceiling

Ref. 9420602

For grill and industrial closures. Equipped with the universal LT50 / LT 60 zamak bracket ref. 910000. 3 possible entraxes. Delivered with screws ref. 206033.

- Use limit: 85 N.m.

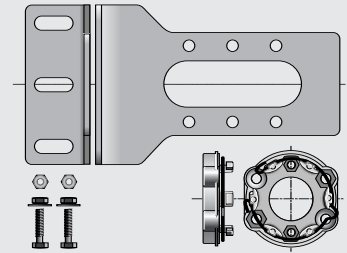
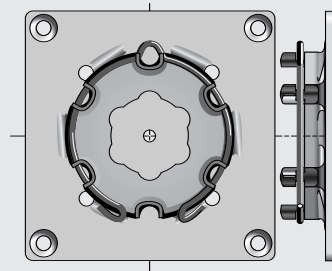


Plate LT50 / LT60

Ref. 9763503

Equipped with the stop ring ref. 206033. Supplied without screws. Fixing with 4 holes $\phi 10$ entraxe 100 mm. Dimensions: 120 x 120. Thickness: 2 mm.

- Use limit: 85 N.m.

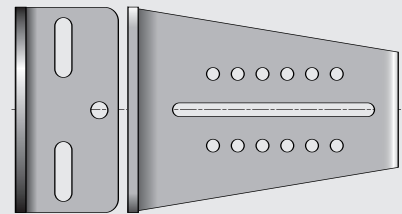


Bracket $\phi 50 / \phi 60$

Ref. 9430600

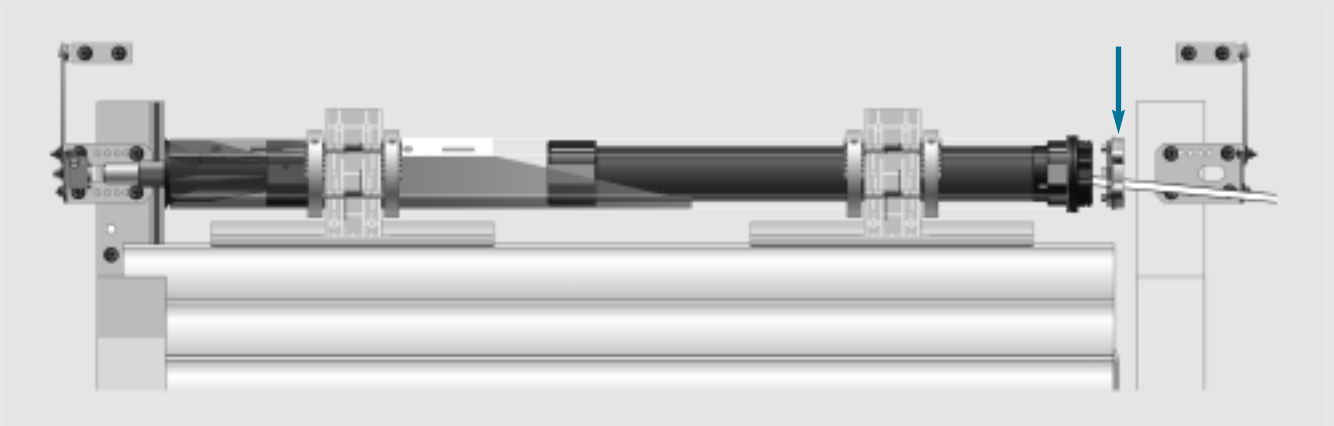
Single bracket, to be use with the universal bracket ref. 9910001, 9910007.

- Use limit: 120 N.m.



LT 60 Motors

Motor brackets LT 60 CSI



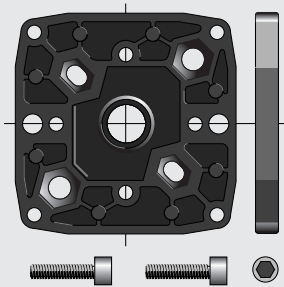
Tubular motors range

LT 50 / LT 60 CSI multi-entraxes bracket

Ref. 9910040

Delivered with 2 screws and 2 nuts to fixed onto the motor head. Black metal alloy.

- Use limit: 120 N.m.

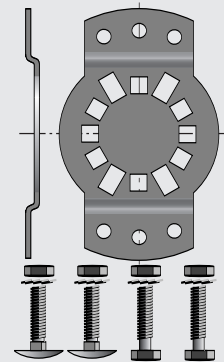


Bracket LT 50 / LT 60 CSI entraxes 40 to 45 mm

Ref. 9420654

Supplied with screws. White galvanized.

- Use limit: 85 N.m.

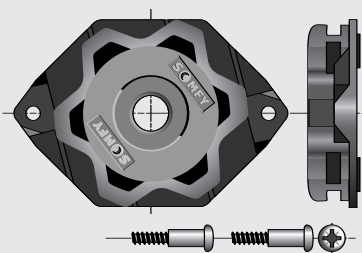


Universal LT 50 / LT 60 CSI bracket

Ref. 9910051

An adaptor bracket which interfaces the CSI motor head with HI-PRO LT brackets. Supplied with 2 screws and 2 nuts to fixe on to the motor head. In black composite material. For motors up to 85 N.m.

- Use limit: 120 N.m.

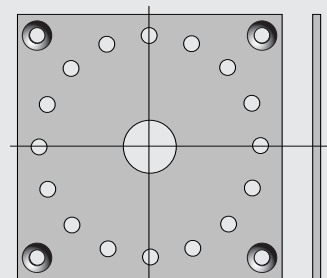


Zinc plate LT 50 / LT 60 CSI

Ref. 9706034

Plate of 100 x 100 mm. Supplied with screws. Fixing bracket onto IMBAC, ALULUX, HEROAL lath guide with screws on entraxe 86 mm.

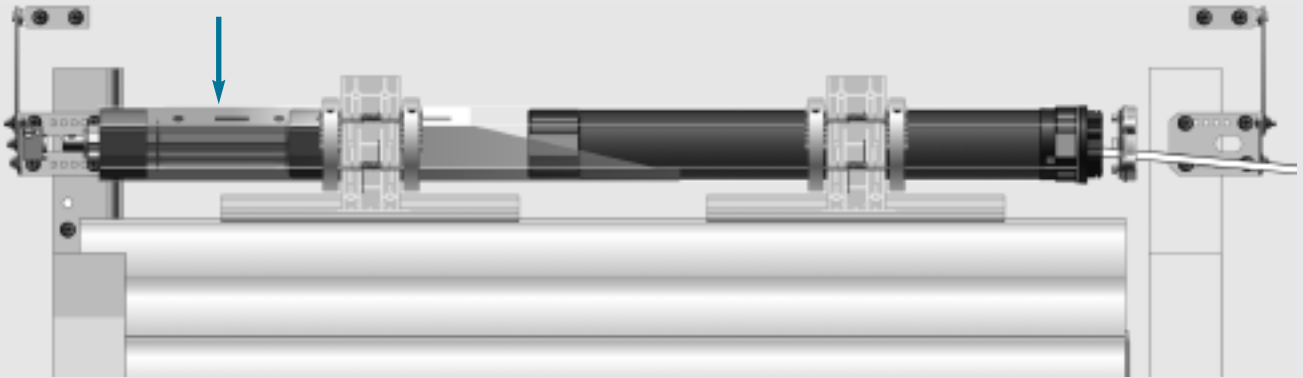
- Use limit: 120 N.m.



LT 60 Motors

Plug end for LT 60

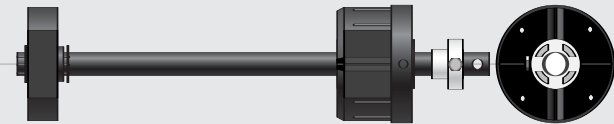
Tubular motors range



Telescopic plug end

Ref. 9127863

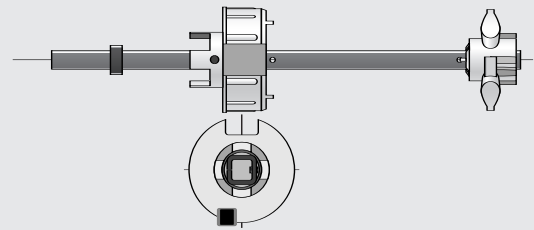
Pin \varnothing 16.
For tube ZF 80.
Adapted to the plug end bracket ref. 127861.



Telescopic plug end

Ref. 9127814

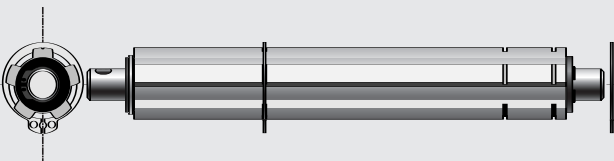
Output shaft \varnothing 16 for tube Deprat F-5039. \varnothing 89.
Adapted to the plug end bracket ref. 127809. Length: 400 mm



Plug end for heavy load

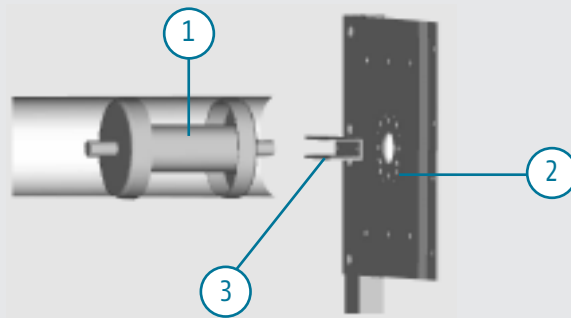
Ref. 9420674

Output shaft \varnothing 16.
To be adapted to the \varnothing 60 tubes, use 2 drive wheels (See adaptors LT60).
Adapted to the plug end bracket ref. 9540786, 9132065, 9520600
and 9430603



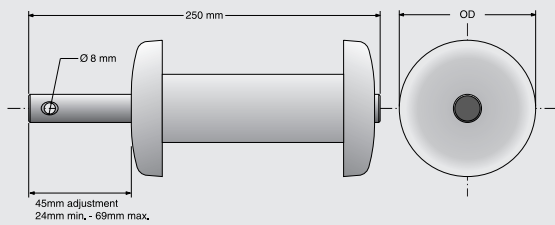
LT 60 Motors

Installation with bobbin



Tubular motors range

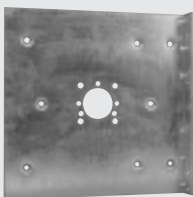
1 Bobbin



Tubes	LP89	101,6 x 3,6	102 x 2	133 x 4	133 x 2,5
Ref	2003843	9542008	9542009	9542012	2003848

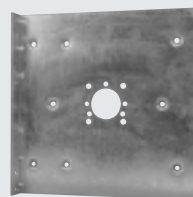
2 Plate opposite side

Opposite side plate with support 20



2003828	H = 280 mm
9541086	H = 330 mm

Opposite side plate without support 20

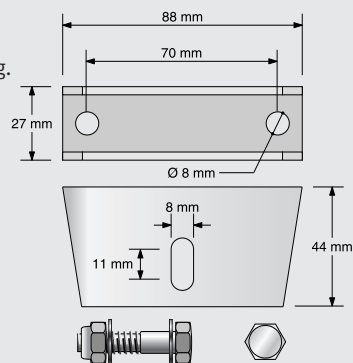


2003798	H = 280 mm
2003800	H = 330 mm

3 U Bracket

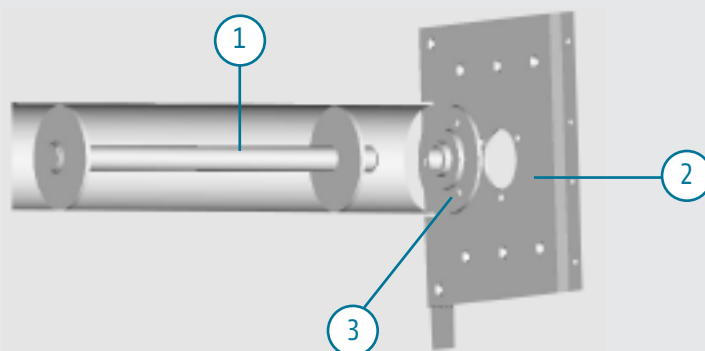
Ref. 9541061

Steel bracket \varnothing 20 mm shaft.
Maximum shutter weight: 350 g.

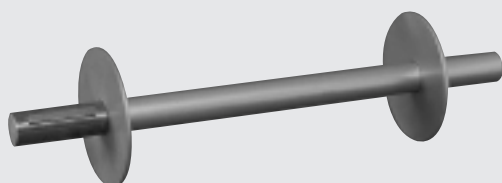


LT 60 Motors

Installation with adjustable bobbin



1 Adjustable bobbin \varnothing 30

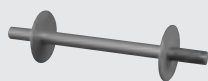


Tubes	101,6 x 3,6	102 x 2	133 x 4	133 x 2,5
Ref	2003869	9542520	9542521	9542522

2 Plate opposite side

Opposite side plate without bearing

Opposite side plate with bearing \varnothing 30 mm



2003798	H = 280 mm
2003800	H = 330 mm

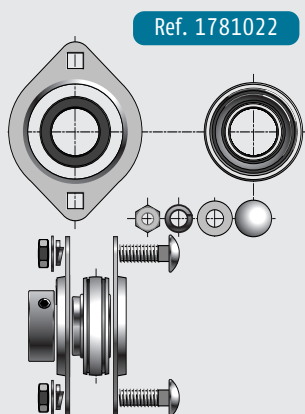
2003794	H = 280 mm
9541037	H = 330 mm

3 Bearing \varnothing 30 mm

Shaft support bearing \varnothing 30 mm

To be used with adjustable end plate with screw M 10x30.

- Maxi shutter weight: 800 kg

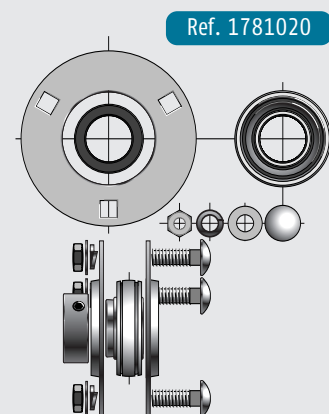


3 Bearing \varnothing 30 mm

Shaft support bearing \varnothing 30 mm

To be used with adjustable end plate with screw M 10x30.

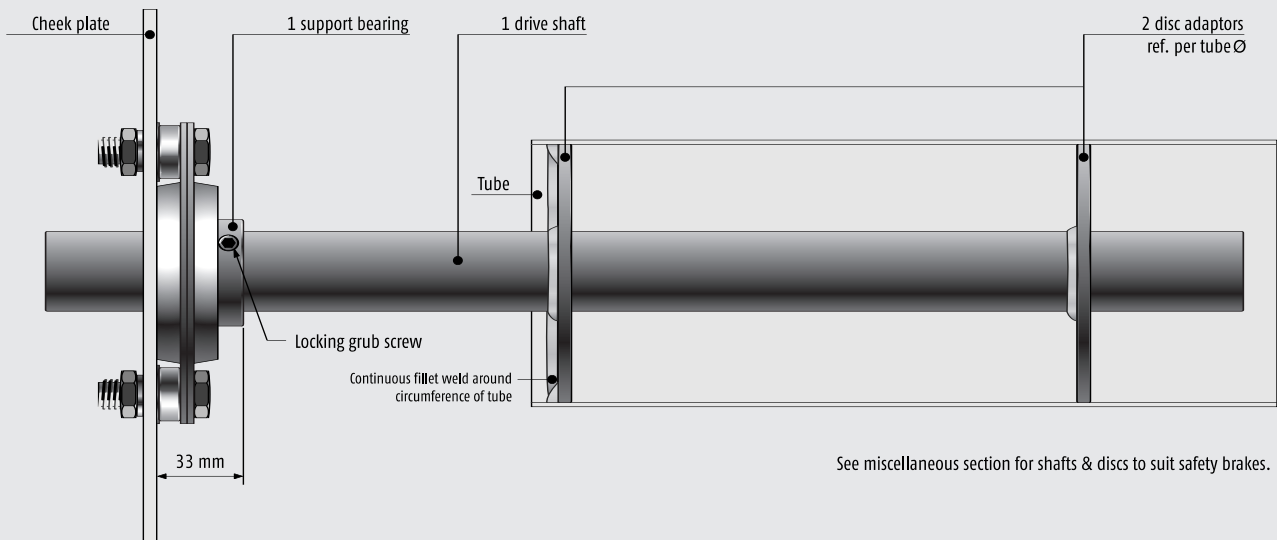
- Maxi shutter weight: 1000 kg



Safety brake, see page 111

LT 60 Motors

Plug end for LT 60



Tubular motors range

Plain shaft Ø 30 mm

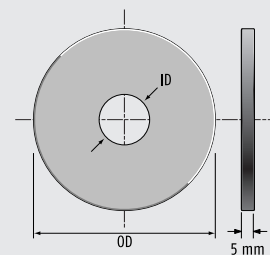
Ref. 9146580

- Weight: 2490 g
- Length: 350 mm



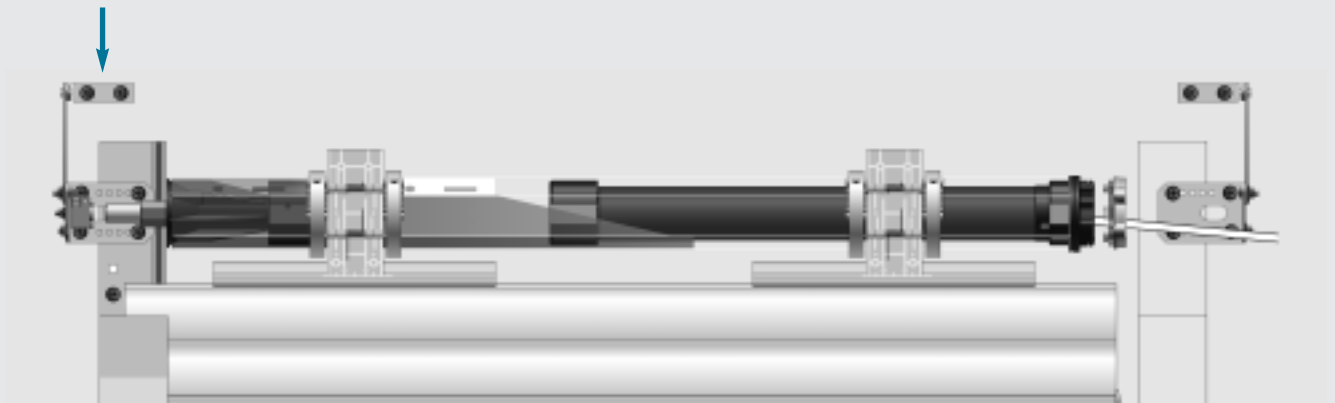
Plain steel disc adaptors Ø 30 mm

Ref	1781024	1781056	1781057	1781025
Tube	101,6 x 3,6	102 x 2	108 x 4	133 x 4
Weight	183 g	203 g	210 g	365 g



LT 60 Motors

Plug end brackets for LT 60

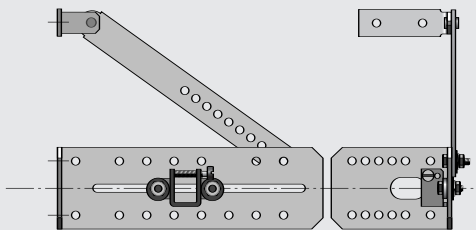


Complete plug end bracket

Ref. 9127809

For Deprat plug end.
To be used with plug end ref. 127813, 127814.

- **Maxi load:** 150 kg

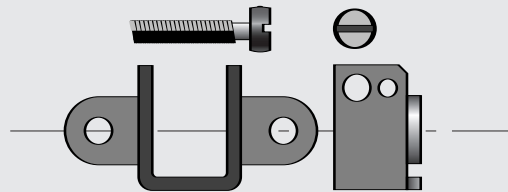


Plug end bracket

Ref. 9127808

To be used alone or with a plug end bracket.
To be used with PVC square bush ref. 163062.

- **Use limit:** 150 kg

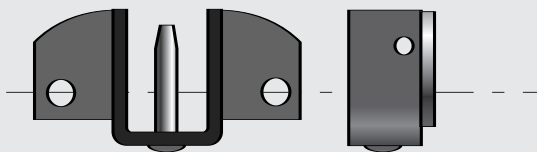


Plug end bracket ZF

Ref. 9132080

To be used with ZF plug end ref. 127863.

- **Maxi load:** 130 kg

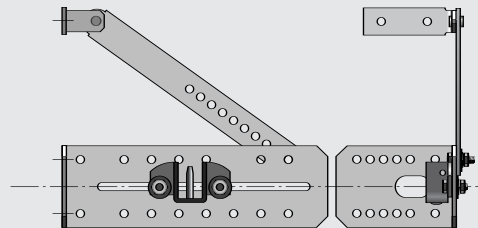


Complete plug end bracket

Ref. 9127861

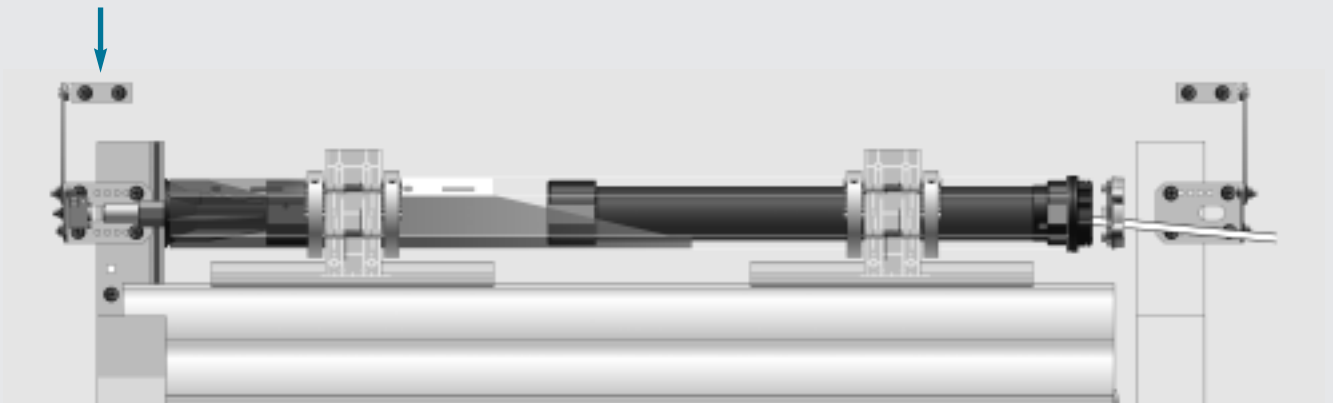
Supplied with ref. 132080 for tubes \varnothing 16x2 mm.
To be used with plug end ref. 127862 and 127863.

- **Maxi load:** 130 kg



LT 60 Motors

Plug end brackets for LT 60



Tubular motors range

Plug end plate adjustable

Ref. 9132065

Thickness: 4 mm.
To be used with plug end ref. 9420674.

- **Maxi load:** 240 kg

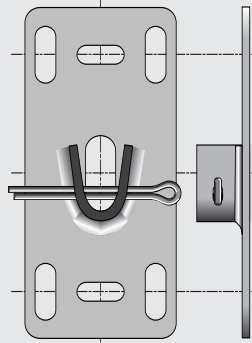
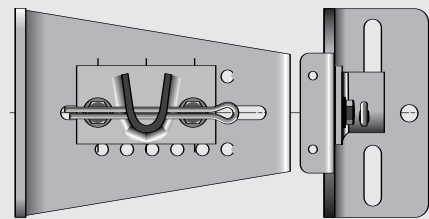


Plate for plug end ϕ 16

Ref. 9430603

To be used with plug end ref. 9420674.

- **Maxi load:** 150 kg

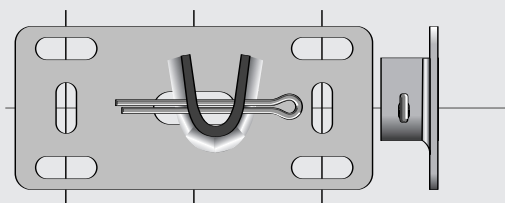


Galvanized plug end plate

Ref. 9520600

Adjustable. Thickness 4 mm.
To be used with ref. 9420674.

- **Maxi load:** 240 kg

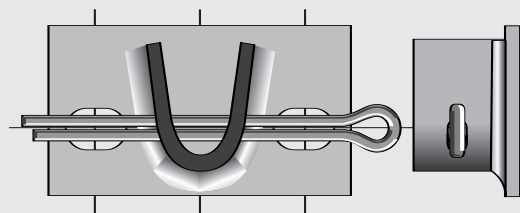


Galvanized plug end plate

Ref. 9540786

To be used with heavy load plug end ref. 9420674.
Entraxe 48 and 60 mm.

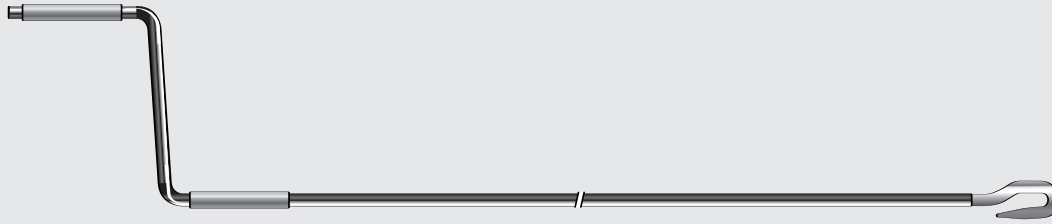
- **Maxi load:** 240 kg



LT 60 Motors

CSI motor accessories integrated manual override

Crank handle with hook



Ref. 9129671

L : 1250 mm

Ref. 9129677

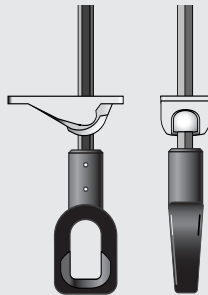
L : 2000 mm

Eye outlet with 60°

Use with crank handle ref. 9129671 or 9129674.

• L: 260 mm.

Ref. 9685180

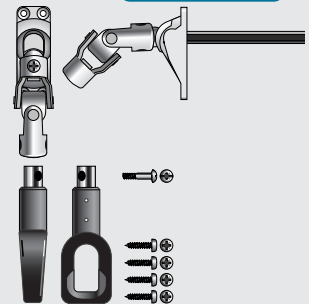


Eye outlet with 60°

Use with crank handle ref. 9129671 or 9129674.

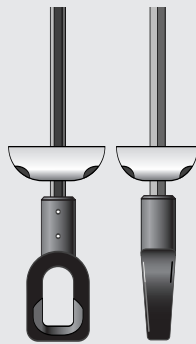
• L: 315 mm.

Ref. 9685183



Eye outlet vertical

Use with crank handle ref. 9129671 or 9129674.



Ref. 9685179

L : 260 mm

Ref. 9685184

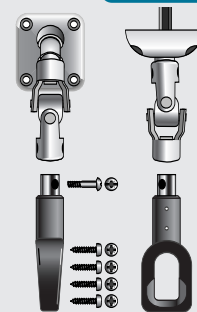
L : 435 mm

Eye outlet vertical

Use with crank handle ref. 9129671 or 9129674.

• L: 315 mm.

Ref. 9685182

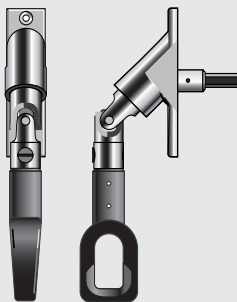


Eye outlet with double cardan join

Use with crank handle ref. 9129671 or 9129674.

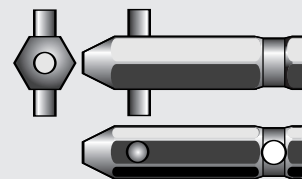
• L: 350 mm.

Ref. 9685181



Crank handle plug end

Ref. 9685143



LT 60 Motors

CSI motor accessories integrated manual override

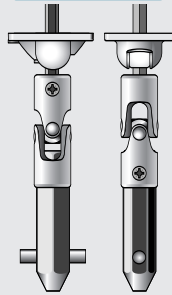
Tubular motors range

Eye outlet vertical

Ref. 9685170

Supplied with crank handle plug end ref. 9685143.
Use with crank handle ref. 9685172.

• L: 260 mm.

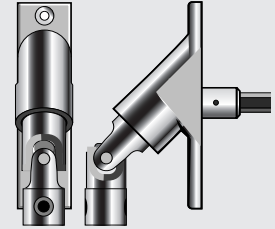


Eyes outlet with double cardan join

Ref. 9685175

Use with crank handle \varnothing 12 ref. 9685176.

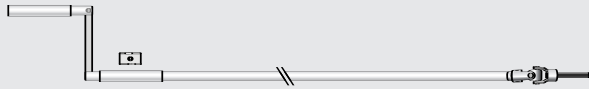
• L: 315 mm.



Manivelle pour sortie de caisson invisible

Ref. 9685140

• L: 1250 mm.

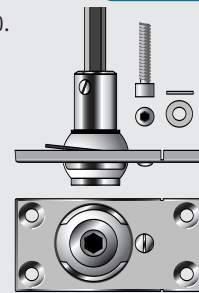


Eye outlet vertical

Ref. 9685122

Use with crank handle \varnothing 12 ref. 9685140.

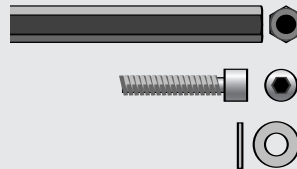
• L: 330 mm.



Extension piece for hexagonal shaft of 7 mm

Ref. 9420657

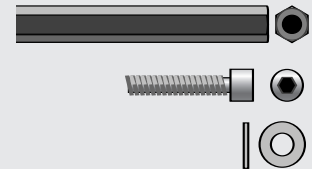
• L: 200 mm.



Extension piece for hexagonal shaft of 7 mm

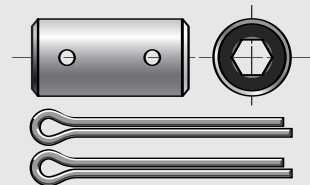
Ref. 9420659

• L: 330 mm.



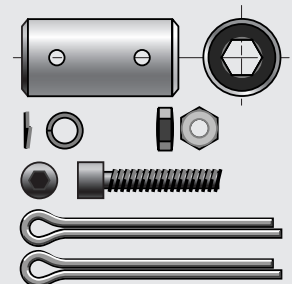
Adaptor for hexagone 7

Ref. 9685120



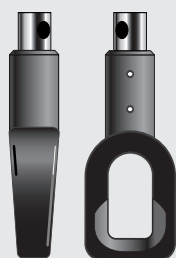
Adaptor hexa 7 / square 8

Ref. 9685118



Anneau CSI

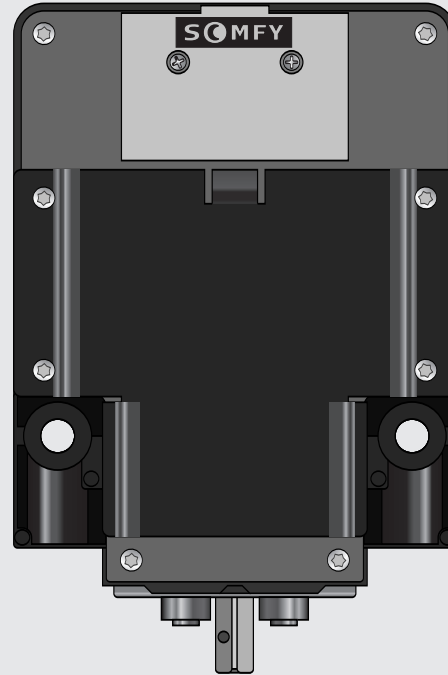
Ref. 9685116



LT 80 H SEL Motors

Tubular motors range

- Standard head design for both manual and no override models
- progressive limit switch
- Limit switch capacity: 17 turns
- For Intermittent use: up to 10 cycles / day
- For horizontal position
- Protection class IP 44
- With 2 relays
- Continuous running time: 4 mins
- Manuel override ratio: 1/100
- Cable length: 2,5 m
- Safety end limit switch (SEL)



With safety end limit



- 1 standard switch
- 1 adjustable safety switch

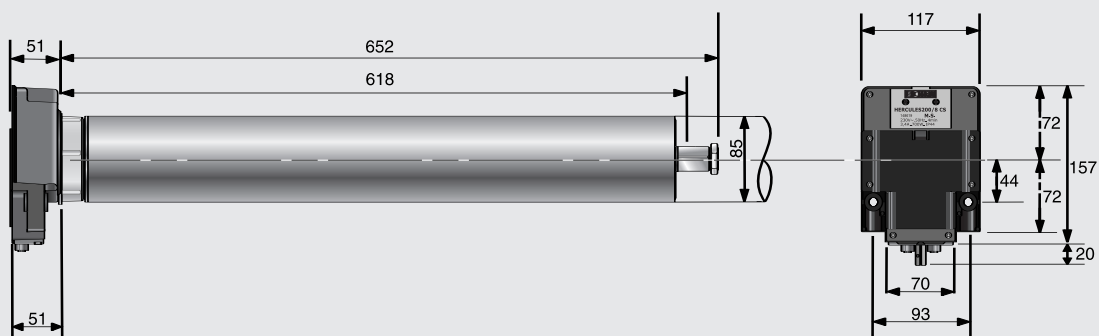
	Motor Type	Torque Nm	Speed rpm	Reference
LT 80 H SEL	150/8 SEL	150	8	1200018
	200/8 SEL	200	8	1200020
	150/8 CS SEL	150	8	1200019
	200/8 CS SEL	200	8	1200021

CS: Motor with manual override

LT 80 H SEL Motors

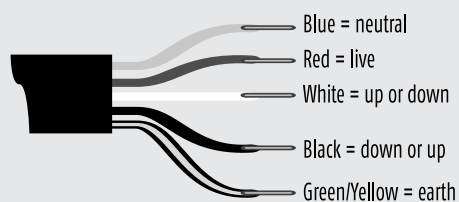
230 V / 50 Hz

Technical specification and dimensions



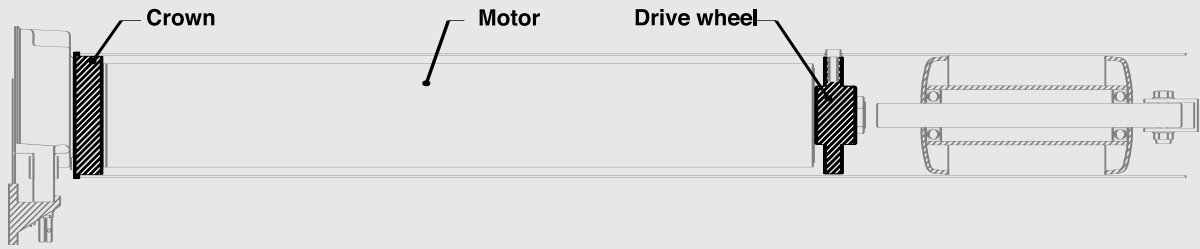
	LT 80 H 150 SEL	LT 80 H 150 M SEL	LT 80 H 200 SEL	LT 80 H 200 M SEL
Nominal torque (Nm)	150	150	200	200
Nominal speed (R.p.m)	8	8	8	8
Limit switch, Unit capacity	17	17	17	17
Rated Power (W)	480	480	680	680
nominal supply voltage (V)	230	230	230	230
Rated current (A)	2,1	2,1	3,0	3,0A
Minimum running time	5	5	5	5
Temperature (°C) at thermal overload	160	160	160	160
Motor diameter	85	85	85	85
Minimum ø of tube	101,6x3,6	101,6x3,6	101,6x3,6	101,6x3,6
Motor Weight (kg)	12,5	14,2	13,3	15,0
Lenght of cable (m)	2,5	2,5	2,5	2,5
Section of cable	0,75	0,75	0,75	0,75
Indice protection	IP44	IP44	IP44	IP44
Ratio manual override		1/100		1/100

Electrical cable - with relays



LT 80 H SEL Motors

Adaptors for LT 80 H SEL

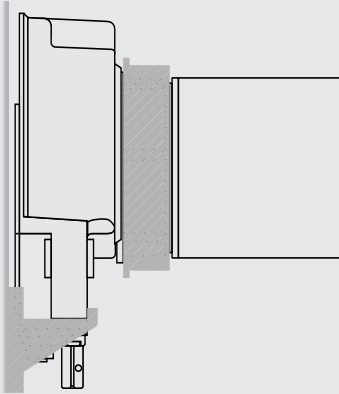
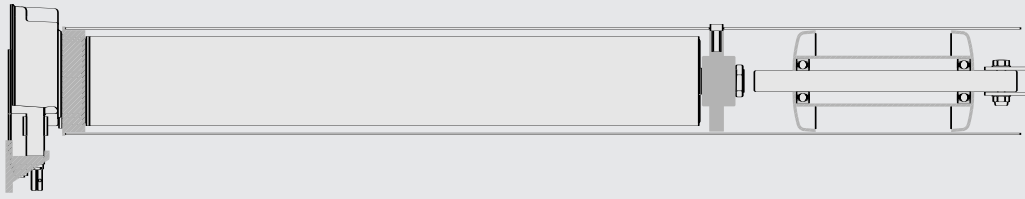


Tubular motors range

Tube	Wheel	Crown	Ref.
<p>3.6 mm 101.6 mm</p>			<p>Wheel: Ref. 9148800 Weight: 346 g</p> <p>Crown: Ref. 9530324 Weight: 90 g</p>
<p>2 mm 102 mm</p>			<p>Wheel: Ref. 9148801 Weight: 400 g</p> <p>Crown: Ref. 9530346 Weight: 130 g</p>
<p>3.6 mm 108 mm</p>			<p>Wheel: Ref. 9148802 Weight: 400 g</p> <p>Crown: Ref. 9530368 Weight: 130 g</p>
<p>4 mm 133 mm</p>			<p>Wheel: Ref. 9148804 Weight: 629 g</p> <p>Crown: Ref. 9530403 Weight: 270 g</p>
<p>2,5 mm 133 mm</p>			<p>Wheel: Ref. 9148803 Weight: 390 g</p> <p>Crown: Ref. 9530381 Weight: 307 g</p>

LT 80 H SEL Motors

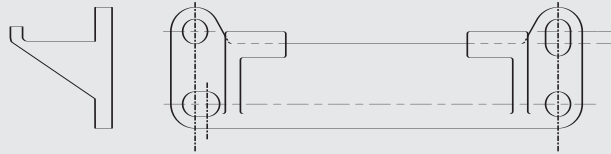
Motor bracket for LT 80 H SEL



Motor bracket

Ref. 9530605

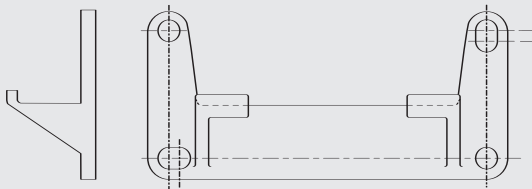
Wall mounted.
Entreaxe of 30 mm. Must be fixed within 45° of the horizontal.
Maximum tube diameter to be used is 133 mm.
Supplied with 2M8 x 15 fixing bolts.



Motor bracket

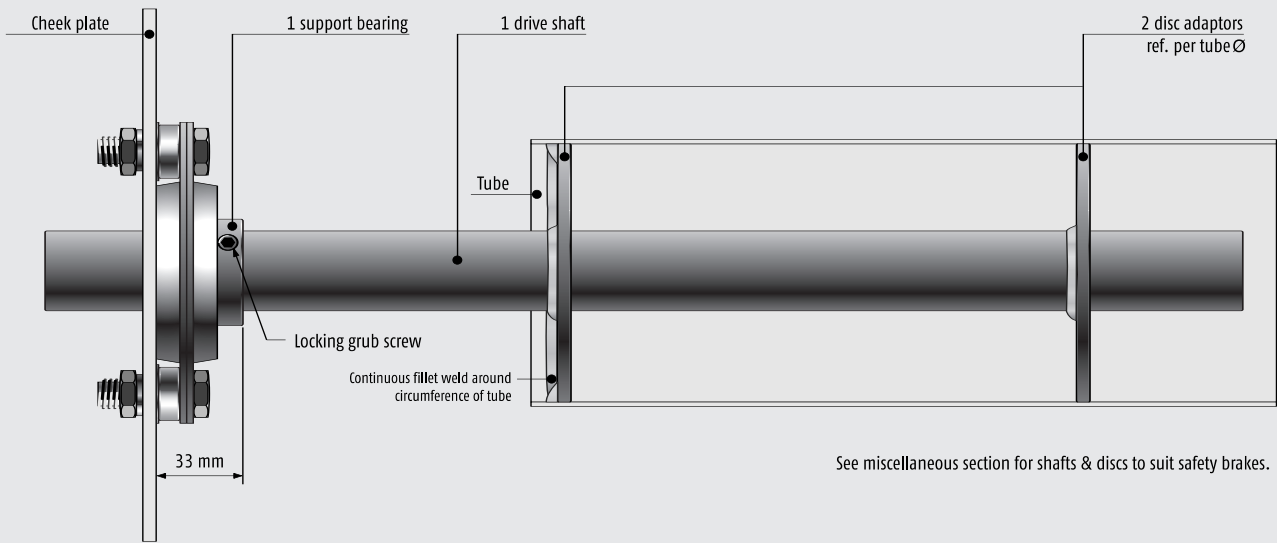
Ref. 9530616

Wall mounted.
Entreaxe of 60 mm. Must be fixed within 45° of the horizontal.
Maximum tube diameter to be used is 162 mm.
Supplied with 2M8 x 15 fixing bolts.



LT 80 H SEL Motors

Plug end for LT 80 H SEL



Plain shaft \varnothing 30 mm

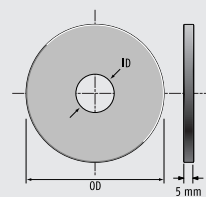
Ref. 9146580

- Weight: 2490 g
- Length: 350 mm



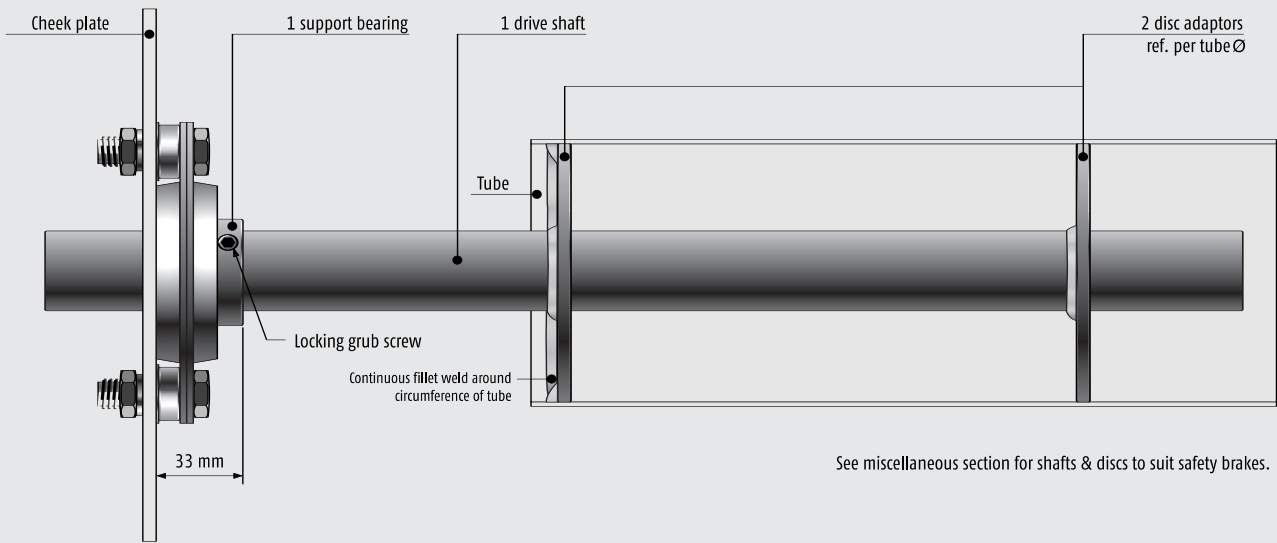
Plain steel disc adaptors \varnothing 30 mm

Ref	1781024	1781056	1781057	1781025	2003921
Tube	101,6 x 3,6	102 x 2	108 x 4	133 x 4	159 x 4,5
Weight	183 g	203 g	210 g	365 g	645 g



LT 80 H SEL Motors

Plug end brackets for LT 80 H SEL



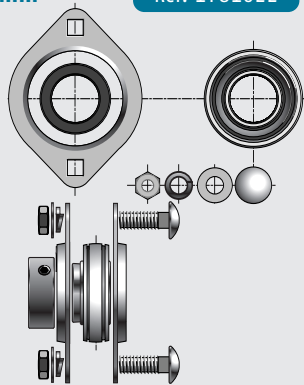
Tubular motors range

Shaft support bearing Ø 30 mm

Ref. 1781022

To be used with adjustable end plate with screw M 10x30.

- Material: steel
- Maxi load:
- Use limit:
- Weight: 570 g
- Maxi shutter weight: 800 kg

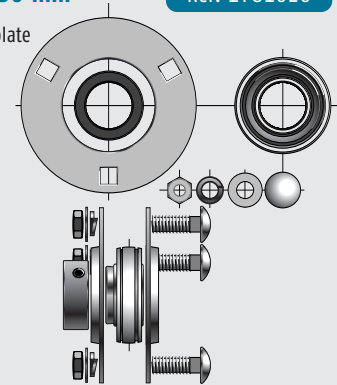


Shaft support bearing Ø 30 mm

Ref. 1781020

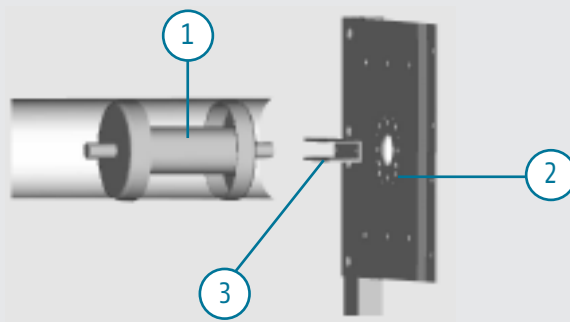
To be used with adjustable end plate with screw M 10x30.

- Material:
- Maxi load:
- Use limit:
- Weight: 735 g
- Maxi shutter weight: 1000 kg

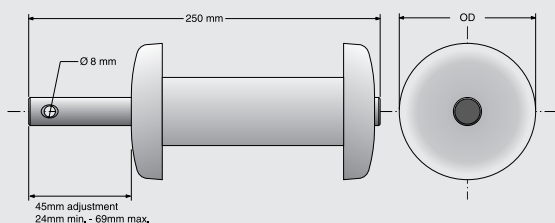


LT 80 H SEL Motors

Installation with bobbin



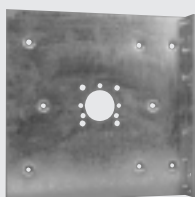
1 Bobbin



Tubes	101,6 x 3,6	102 x 2	133 x 4	133 x 2,5
Ref	9542008	9542009	9542012	2003848

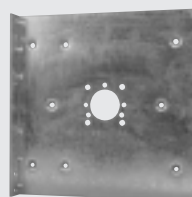
2 Plate opposite side

Opposite side plate with support 20



2003828	H = 280 mm
9541086	H = 330 mm

Opposite side plate without support 20

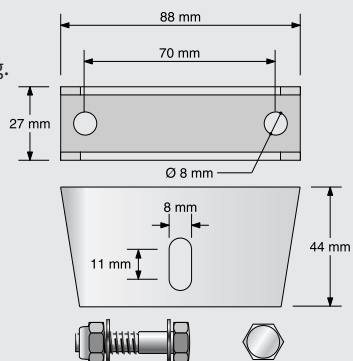


2003798	H = 280 mm
2003800	H = 330 mm
2003802	H = 400 mm

3 U Bracket

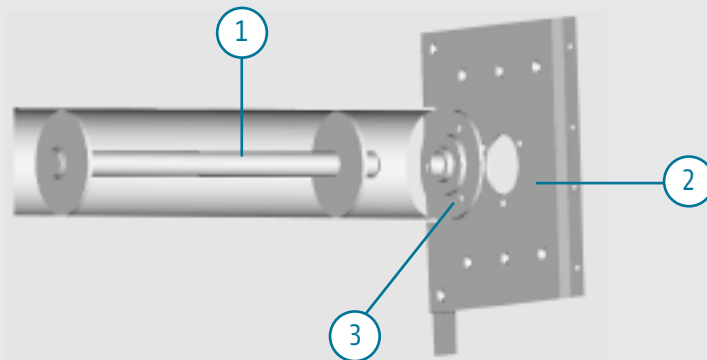
Ref. 9541061

Steel bracket \varnothing 20 mm shaft.
Maximum shutter weight: 350 g.

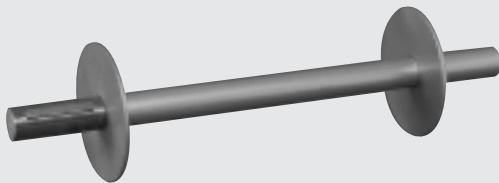


LT 80 H SEL Motors

Installation with adjustable bobbin



1 Adjustable bobbin \varnothing 30



Tubes	101,6 x 3,6	102 x 2	133 x 4	133 x 2,5
Ref	2003869	9542520	9542521	9542522

2 Plate opposite side

Opposite side plate with bearing \varnothing 30 mm (delivered with bearing)

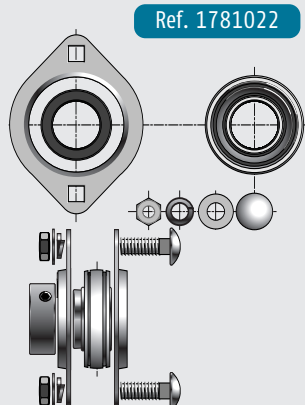
2003794	H = 280 mm
9541037	H = 330 mm
9541039	H = 400 mm

3 Bearing \varnothing 30 mm

Shaft support bearing \varnothing 30 mm

To be used with adjustable end plate with screw M 10x30.

- Maxi shutter weight: 800 kg

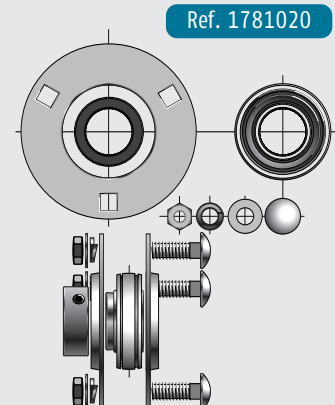


3 Bearing \varnothing 30 mm

Shaft support bearing \varnothing 30 mm

To be used with adjustable end plate with screw M 10x30.

- Maxi shutter weight: 1000 kg



LT 80 H SEL Motors

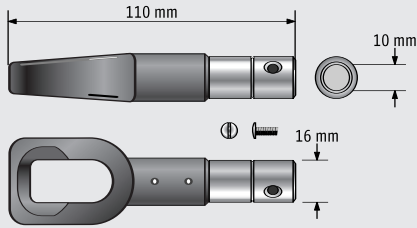
Manual override accessories

Standard manual override eye outlet

Ref. 9137047

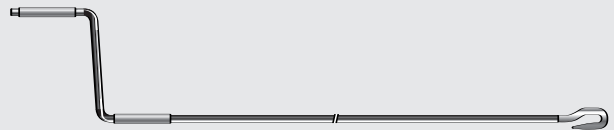
For LT 80 H SEL motors.

- Material: steel/plastic
- Weight: 90 g



Crank handle

Ref	9129674	9129671
Material	Steel	Steel
Finish	Plated	Plated
Weight	1200 g	1000 g

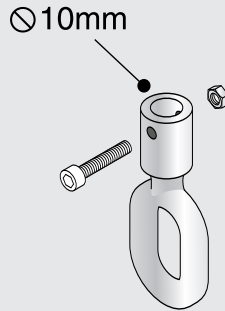


Eye outlet

Ref. 9340021

For LT 80 H SEL motors.

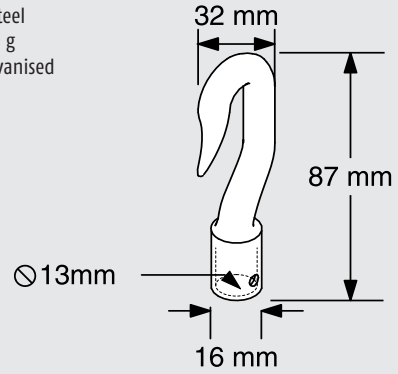
- Material: steel
- Weight: 80 g
- Finish: galvanised



Steel hook

Ref. 9132253

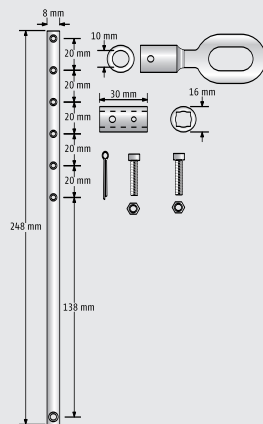
- Material: Steel
- Weight: 80 g
- Finish: galvanised



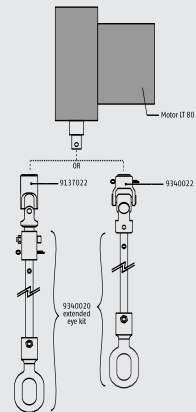
Extended eye outlet

For LT 80 H SEL motors.

- Material: steel
- Weight: 230 g
- Finish: galvanised



Ref. 9340020



LT 80 H SEL Motors

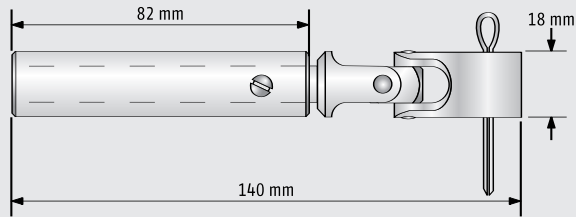
Manual override accessories

Shaft adaptor

Ref. 9137023

Adjustable override shaft adaptor c/w with 137022 cardan joint.

- Material: steel
- Weight: 120 g
- Finish: plated

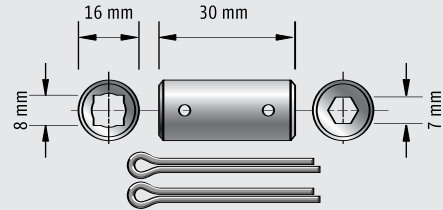


Adaptor

Ref. 9685118

Adaptor for 7 mm hexagonal to 8 mm square shaft. Supplied with 2 split pins. Allows use of LT 80 H SEL accessories.

- Material: steel
- Weight: 30 g
- Finish: plated

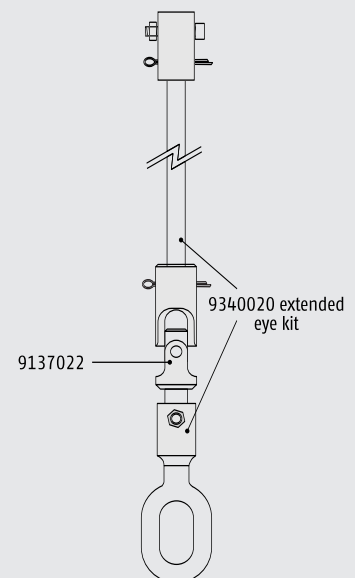
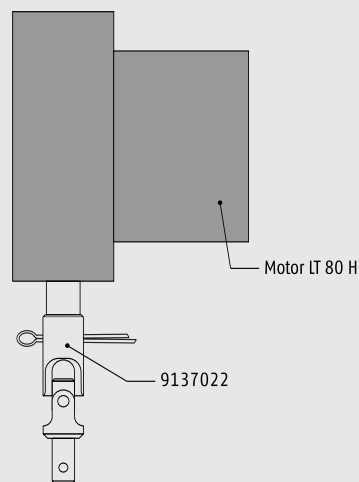
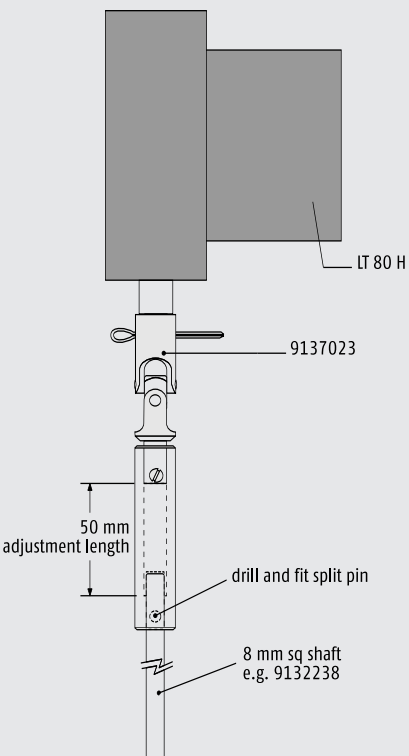
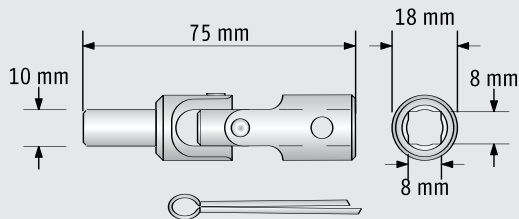


Cardan joint

Ref. 9137022

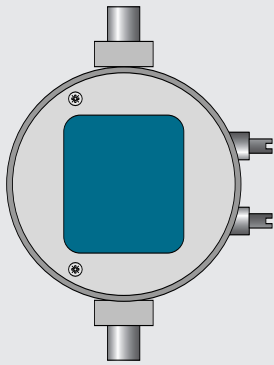
Cardan joint with a 10 mm round shaft & 8 mm socket. Allows use of Hercules & Type 8 accessories.

- Material: steel
- Weight: 80 g
- Finish: plated

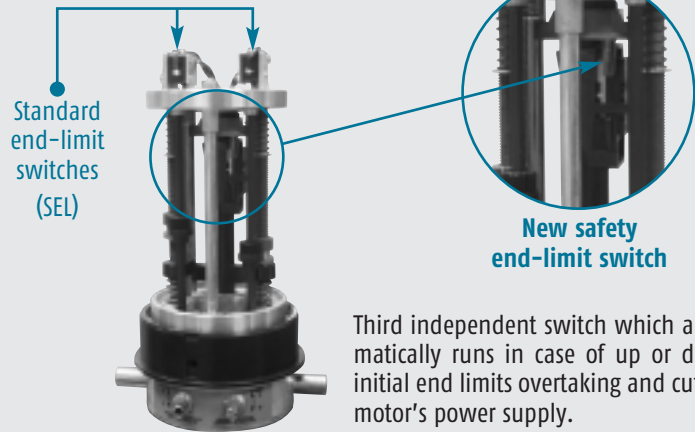


LT 80 SEL & LT 80 M SEL

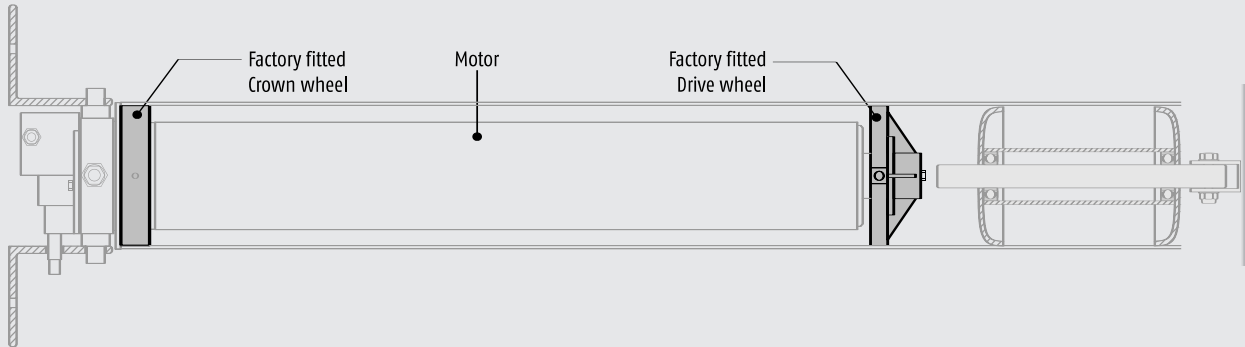
Tubular motors range



NEW



Third independent switch which automatically runs in case of up or down initial end limits overtaking and cut the motor's power supply.

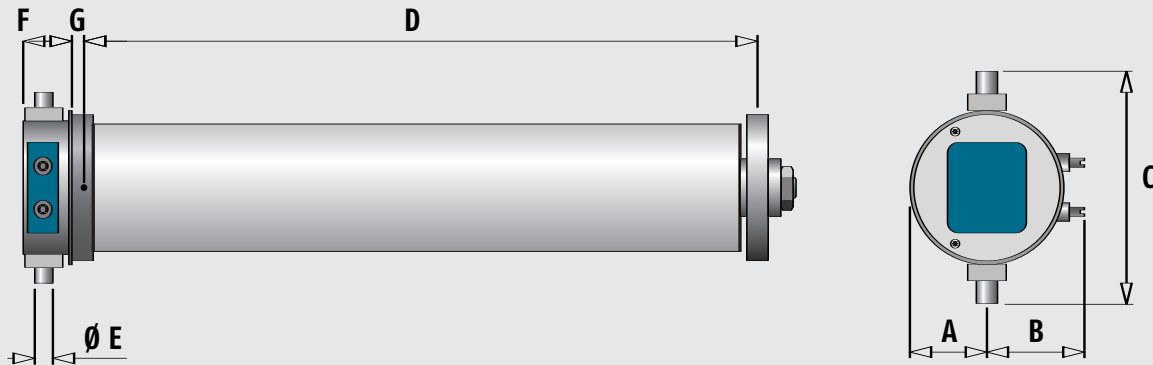


	Torque Nm	Speed rpm	Manual override	References	Single phase	Three phases
LT 80 150 SEL	150	8		1201044	✓	
LT 80M 150 SEL	150	8	✓	1201047	✓	
LT 80 200 SEL	200	8		1201045	✓	
LT 80M 200 SEL	200	8	✓	1201048	✓	
LT 80 250 SEL	250	8		1201046	✓	
LT 80M 250 SEL	250	8	✓	1201049	✓	
LT 80 tri 300 SEL	300	8		1203025		✓
LT 80M tri 300 SEL	300	8	✓	1203026		✓

Adaptable motors (base \varnothing 94 without wheel)

LT 80 SEL Motors

Technical data LT 80 SEL



Tubular motors range

230V - 50Hz power supply

Description	Torque (Nm)	Speed (rpm)	Power (W)	Current (A)	Limit switch capacity (Turns)	Weight (Kg)	A (mm)	B (mm)	C (mm)	D (mm)	E (mm)	F (mm)	G (mm)
LT 80 SEL 150	150	8	450	2	13	11	44	56	128	609*	12	32	8
										603**		38	
LT 80 SEL 250	250	8	710	3,2	13	13	44	56	128	609*	12	32	8
										603**		38	
LT 80 SEL 300	300	8	610	2	1,2	13	44	56	128	609*	12	32	8
					603**					38			

120V - 60Hz power supply

Description	Torque (Nm)	Speed (rpm)	Power (W)	Current (A)	Limit switch capacity (Turns)	Weight (Kg)	A (mm)	B (mm)	C (mm)	D (mm)	E (mm)	F (mm)	G (mm)
LT 80 SEL 200	200	8	600	5,6	13	16	44	56	128	609*	12	32	8
										603**		38	

* length with adaptor < 100 mm

** length with adaptor > 100 mm

Technical characteristics

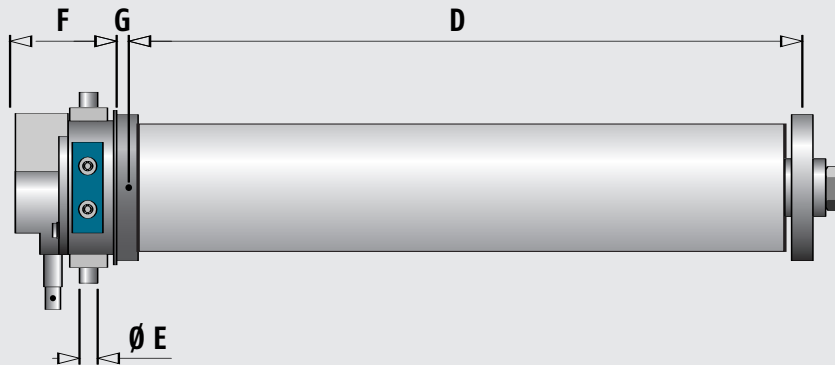
Single phase motors

- Power supply: 230 volts - 50 Hz
120 volts - 60 Hz (US range)
- Safety limit switch
- Progressive limit switch
- Integrated thermal protection
- Integrated electromagnetic brake
- Thermal cut-out: 4 min
- Application 10 cycles / day
- Protection index: IP 44
- Delivered with a 0.70 m power supply cable

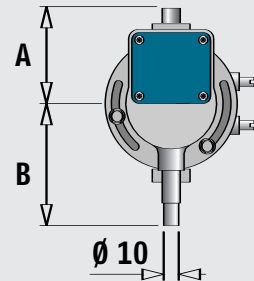
Three phases motors

- Three-phase power supply: 230/400 Volts - 50 Hz
- Safety limit switch
- Progressive limit switch
- Integrated thermal protection
- Integrated electromagnetic brake
- Thermal cut-out: 20 min
- Application 30 cycles / day
- Protection index: IP 44
- Delivered with a 1 m power supply cable

LT 80M SEL Motors



Adjustable override position according to the installation needs



* M: Manual override

230V - 50Hz power supply

Description	Torque (Nm)	Speed (rpm)	Power (W)	Current (A)	Limit switch capacity (Turns)	Weight (Kg)	A (mm)	B (mm)	D (mm)	E (mm)	F (mm)	G (mm)
LT 80M SEL 150	150	8	450	2	13	12	62	82	609*	12	67	8
									603**		72	
LT 80M SEL 250	250	8	710	3,2	13	14	62	82	609*	12	67	8
									603**		72	
LT 80M SEL 300	300	8	610	2	1,2	13	62	82	609*	12	67	8
									603**		72	

120V - 60Hz power supply

Description	Torque (Nm)	Speed (rpm)	Power (W)	Current (A)	Limit switch capacity (Turns)	Weight (Kg)	A (mm)	B (mm)	D (mm)	E (mm)	F (mm)	G (mm)
820M	200	8	600	5,6	13	17	62	82	609*	12	67	8
									603**		72	

* length with adaptor < 100 mm

** length with adaptor > 100 mm

Technical characteristics

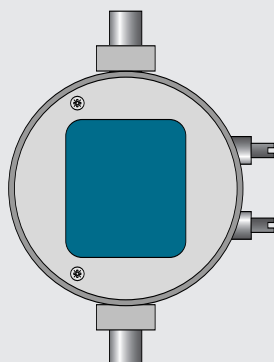
Single phase motors

- Power supply: 230 volts - 50 Hz
120 volts - 60 Hz (US range)
- Safety limit switch
- Progressive limit switch
- Integrated thermal protection
- Integrated electromagnetic brake
- Thermal cut-out: 4 min
- Application 10 cycles / day
- Protection index: IP 44
- Delivered with a 0.70 m power supply cable

Three phases motors

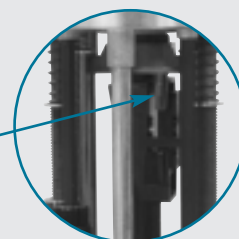
- Three-phase power supply: 230/400 Volts - 50 Hz
- Safety limit switch
- Progressive limit switch
- Integrated thermal protection
- Integrated electromagnetic brake
- Thermal cut-out: 20 min
- Application 30 cycles / day
- Protection index: IP 44
- Delivered with a 1 m power supply cable

LT 90 SEL & LT 90M SEL



NEW

Standard end-limit switches (SEL)



New safety end-limit switch

Third independent switch which automatically runs in case of up or down initial end limits overtaking and cut the motor's power supply.

Tubular motors range

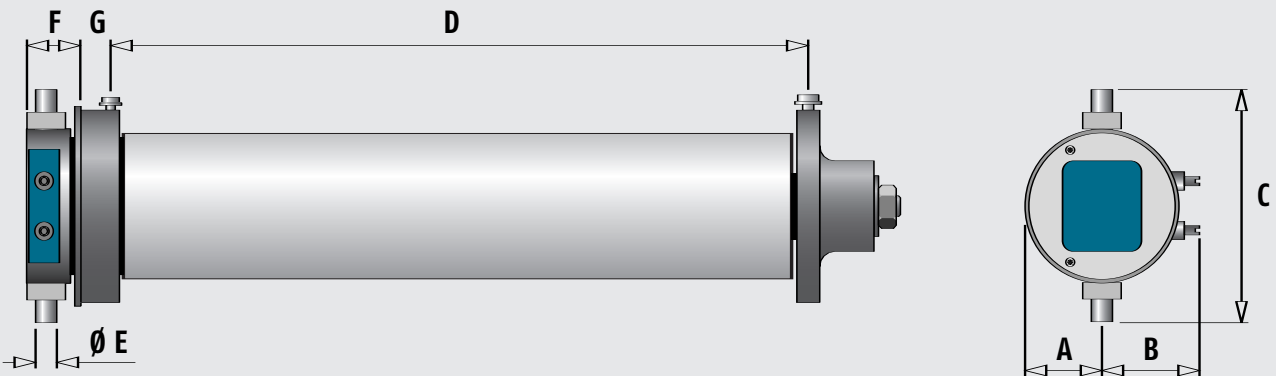
	Torque Nm	Speed rpm	Manual override	References	Single phase	Three phases
LT 90 SEL 350	350	8		1202020	✓	
LT 90M SEL 350	350	8	✓	1202021	✓	
LT 90 SEL 400	400	8		1203028		✓
LT 90M SEL 400	400	8	✓	1203027		✓
LT 90 SEL 450	450	8		1202022	✓	
LT 90M SEL 450	450	8	✓	1202023	✓	
LT 90 SEL 600	600	9		1204014		✓
LT 90M SEL 600	600	9	✓	1204013		✓

Adaptable motors (base \varnothing 124 without wheel)

LT 90 SEL Motors

Technical data LT 90 SEL

Tubular motors range



230V - 50Hz power supply

Description	Torque (Nm)	Speed (rpm)	Power (W)	Current (A)	Limit switch capacity (Turns)	Weight (Kg)	A (mm)	B (mm)	C (mm)	D (mm)	E (mm)	F (mm)	G (mm)
LT 90 SEL 350	350	8	990	4,4	13	25	51	57	154	656	16	35	20
LT 90 SEL 400	400	8	750	2,6 1,5	13	25	51	57	154	656	16	35	20
LT 90 SEL 450	450	8	1200	5,3	13	25	51	57	154	656	16	35	20
LT 90 SEL 600	600	9	1100	5,2 3	15	33	51	57	154	646	16	35	20

Technical characteristics

Single phase motors

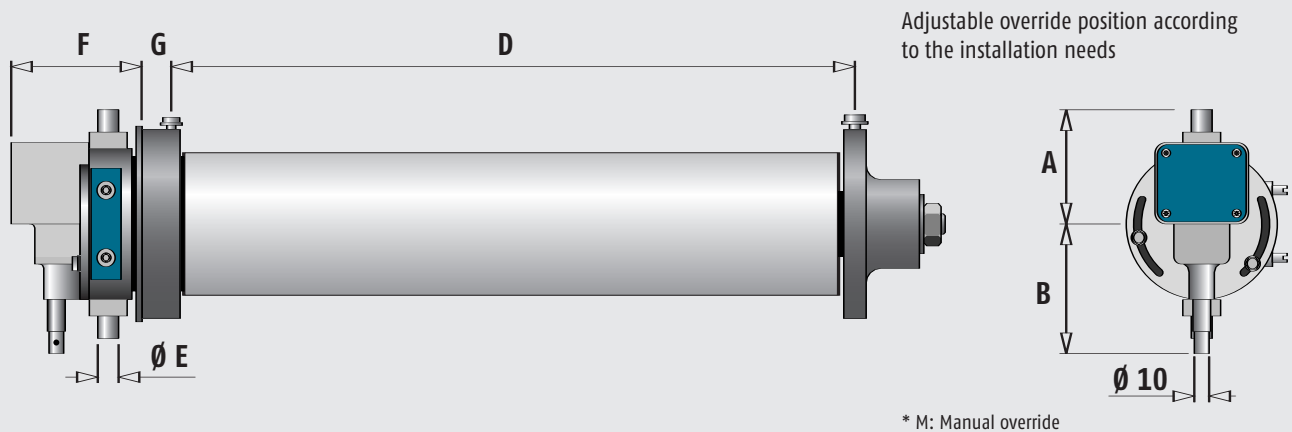
- Power supply: 230 volts - 50 Hz
120 volts - 60 Hz (US range)
- Safety limit switch
- Progressive limit switch
- Integrated thermal protection
- Integrated electromagnetic brake
- Thermal cut-out: 4 min
- Application 10 cycles / day
- Protection index: IP 44
- Delivered with a 0.70 m power supply cable

Three phases motors

- Three-phase power supply: 230/400 Volts - 50 Hz
- Safety limit switch
- Progressive limit switch
- Integrated thermal protection
- Integrated electromagnetic brake
- Thermal cut-out: 20 min
- Application 30 cycles / day
- Protection index: IP 44
- Delivered with a 1 m power supply cable

LT 90M SEL Motors

Technical data LT 90M* SEL



Tubular motors range

230V - 50Hz power supply

Description	Torque (Nm)	Speed (rpm)	Power (W)	Current (A)	Limit switch capacity (Turns)	Weight (Kg)	A (mm)	B (mm)	D (mm)	E (mm)	F (mm)	G (mm)
LT 90M SEL 350	350	8	990	4,4	13	26	77	87	656	16	87	20
LT 90M SEL 400	400	8	750	2,6 1,5	13	26	77	87	656	16	87	20
LT 90M SEL 450	450	8	1200	5,3	13	26	77	87	656	16	87	20
LT 90M SEL 600	600	9	1100	5,2 3	15	34	77	87	646	16	87	20

Technical characteristics

Single phase motors

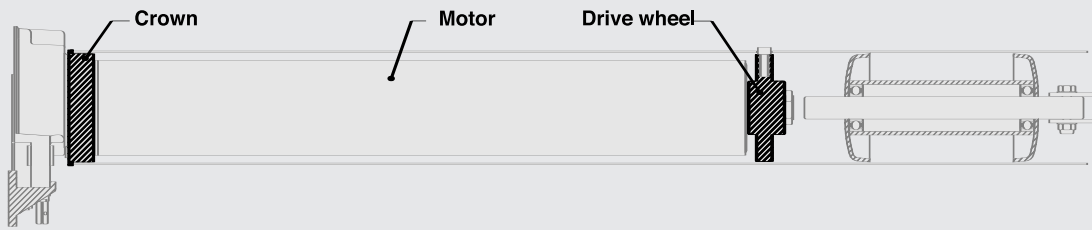
- Power supply: 230 volts - 50 Hz
120 volts - 60 Hz (US range)
- Safety limit switch
- Progressive limit switch
- Integrated thermal protection
- Integrated electromagnetic brake
- Thermal cut-out: 4 min
- Application 10 cycles / day
- Protection index: IP 44
- Delivered with a 0.70 m power supply cable

Three phases motors

- Three-phase power supply: 230/400 Volts - 50 Hz
- Safety limit switch
- Progressive limit switch
- Integrated thermal protection
- Integrated electromagnetic brake
- Thermal cut-out: 20 min
- Application 30 cycles / day
- Protection index: IP 44
- Delivered with a 1 m power supply cable

LT 80 SEL & 90 SEL Motors

Adaptors LT 80 SEL



Tubular motors range

Tube	Crown	Wheel	Ref.
			Wheel: Ref. 9148800 Weight: 346 g
			Wheel: Ref. 9148801 Weight: 400 g Crown: Ref. 9001305 Weight: 130 g
			Wheel: Ref. 9148802 Weight: 400 g Crown: Ref. 9001306 Weight: 130 g
			Wheel: Ref. 9148804 Weight: 629 g Crown: Ref. 9013824 Weight: 270 g
			Wheel: Ref. 9148803 Weight: 390 g Crown: Ref. 9001309 Weight: 307 g

Adaptor set for LT 80

∅ of tube (mm)	Motor adaptation (mm)	Running with motors (Nm)	References
101.6 x 3.6	94 (wheel)	150 – 200 – 250 – 300	9148800
102 x 2	94 / 97 (crown + wheel)	150 – 200 – 250 – 300	9001312
108 x 3.6	94 / 100 (crown + wheel)	150 – 200 – 250 – 300	9001313
127 x 3.25	94 / 119 (crown + wheel)	150 – 200 – 250 – 300	9013826
133 x 4	94 / 124 (crown + wheel)	150 – 200 – 250 – 300	9013824
133 x 2.5	94 / 127 (crown + wheel)	150 – 200 – 250 – 300	9013822
139.7 x 3.6	94 / 131 (crown + wheel)	150 – 200 – 250 – 300	9013437
139.7 x 3.2	94 / 133 (crown + wheel)	150 – 200 – 250 – 300	9013438
159 x 4.5	94 / 149 (crown + wheel)	150 – 200 – 250 – 300	9013439
	94 / 152 (crown + wheel)	150 – 200 – 250 – 300	9013525
168 x 5.5	94 / 158 (crown + wheel)	150 – 200 – 250 – 300	9013526
168 x 3.5	94 / 160 (crown + wheel)	150 – 200 – 250 – 300	9013527
	94 / 168 (crown + wheel)	150 – 200 – 250 – 300	9013528

Adaptor set for LT 90

∅ of tube (mm)	Motor adaptation (mm)	Running with motors (Nm)	References
133 x 4	124 (wheel)	350 – 400 – 450	9013529
133 x 2.5	124 / 127 (crown + wheel)	350 – 400 – 450	9013530
		600	9013537
139.7 x 3.6	124 / 131 (crown + wheel)	350 – 400 – 450	9013531
139.7 x 3.2	124 / 133 (crown + wheel)	350 – 400 – 450	9013532
159 x 4.5	124 / 149 (crown + wheel)	350 – 400 – 450	9013533
		600	9013538
168 x 5.5	124 / 158 (crown + wheel)	350 – 400 – 450	9013534
		600	9013539
168 x 3.5	124 / 160 (crown + wheel)	350 – 400 – 450	9013535
		600	9013540
		350 – 400 – 450	9013536
193.7 x 5.4	124 / 168 (crown + wheel)	600	9013541
		600	9013542



Driving wheel



Adaptor



Adaptor ring

LT 80 SEL & 90 SEL Motors

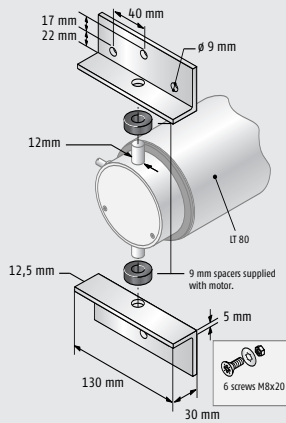
Accessories motor brackets

Non-manual motor bracket LT 80 SEL

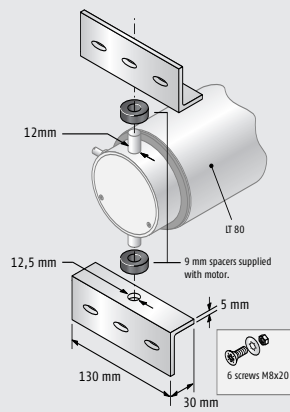
Bracket kit for non-override motors LT 80 SEL.

- Material: steel
- Maxi load:
- Use limit:
- Weight: 1000 g
- Finish: galvanised
- Maxi shutter weight: 350 kg \triangle

Ref. 9001413



Ref. 9001414

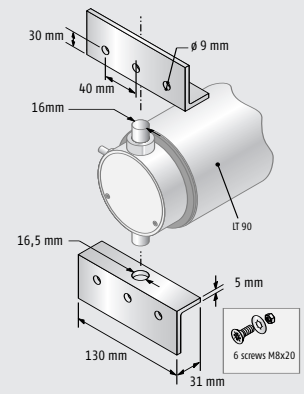
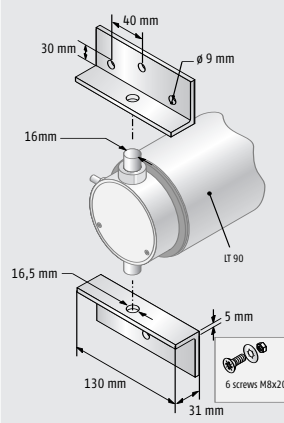


Non-manual motor bracket LT 90 SEL

Ref. 9541089

Bracket kit for non-override motors LT 90 SEL.

- Material: steel
- Maxi load:
- Use limit:
- Weight: 900 g
- Finish: galvanised
- Maxi shutter weight: 600 kg \triangle

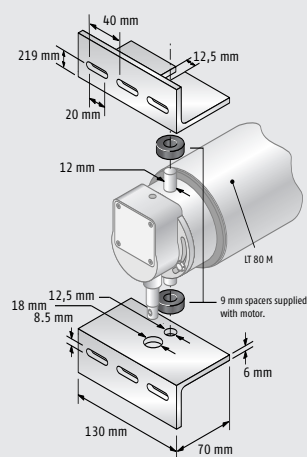


Manual motor bracket LT 80M SEL

Ref. 9541103

Bracket kit for non-override motors LT 80M SEL.

- Material: steel
- Maxi load:
- Use limit:
- Weight: 1400 g
- Finish: galvanised
- Maxi shutter weight: 350 kg \triangle



Steel plate for LT 80 SEL & LT 90 SEL

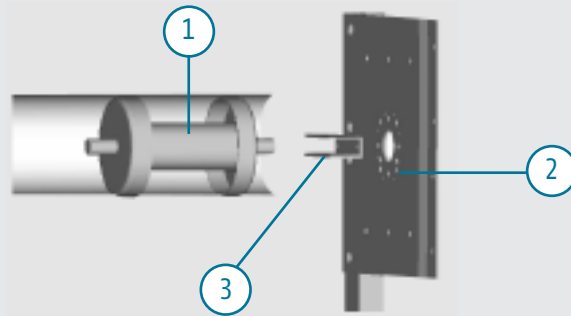
With angle bracket.

LT 80 SEL	Ref	9541009
	Weight	7300 g
	Size	400 x 400

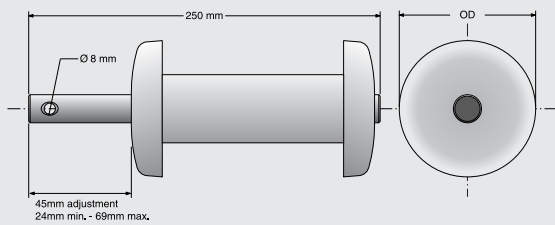
LT 90 SEL	Ref	9541025	9541027
	Weight	5600 g	7300 g
	Size	330 x 330	400 x 400

LT 80 SEL & 90 Motors

Installation with bobbin



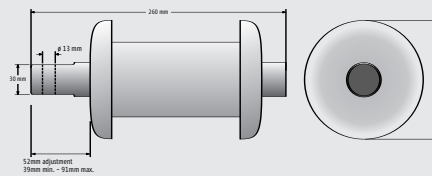
1 Bobbin



Tube	101,6 x 3,6	102 x 2	133 x 4	133 x 2,5
Ref	9542008	9542009	9542012	2003848

Heavy duty bobbin

Maximum shutter weight: 600 kg. Shaft of \varnothing 35 mm.



Ref	2003849	2003851
Tube	133 x 2,5	159 x 4,5
Weight	5400 g	8200 g

2 Plate opposite side

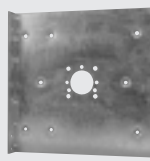
Opposite side plate with support 20

2003828	H = 280 mm
9541086	H = 330 mm



Opposite side plate without support 20

2003798	H = 280 mm
2003800	H = 330 mm
2003802	H = 400 mm



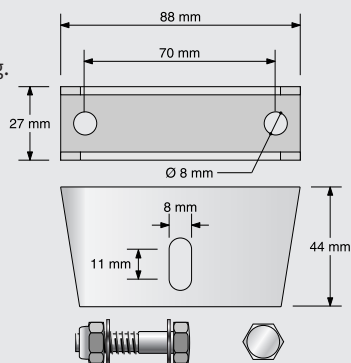
Opposite side plate for 30 mm shaft

2003783	H = 330 mm
2003785	H = 400 mm

3 U Bracket

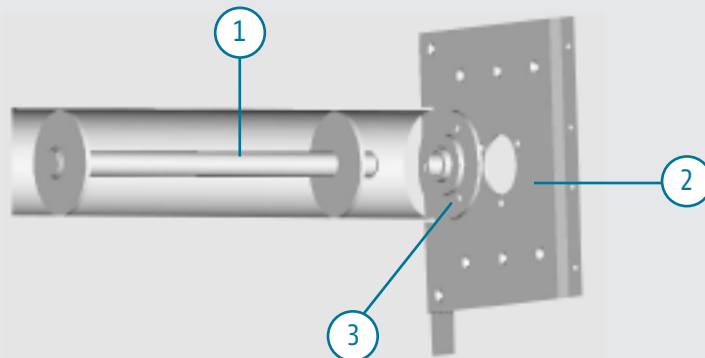
Ref. 9541061

Steel bracket \varnothing 20 mm shaft.
Maximum shutter weight: 350 g.

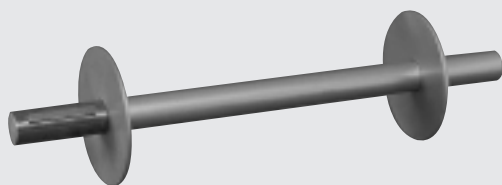


LT 80 SEL & 90 SEL Motors

Installation with adjustable bobbin



1 Adjustable bobbin \varnothing 30



Tube	101,6 x 3,6	102 x 2	133 x 4	133 x 2,5	159 x 4,5	168 x 4,5
Ref	2003869	9542520	9542520	9542522	2004194	2003871

2 Plate opposite side

Opposite side plate with bearing \varnothing 30 mm

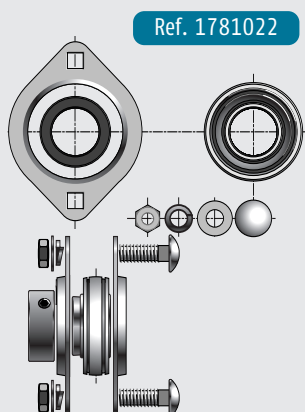
2003794	H = 280 mm
9541037	H = 330 mm
9541039	H = 400 mm

3 Bearing \varnothing 30 mm

Shaft support bearing \varnothing 30 mm

To be used with adjustable end plate with screw M 10x30.

- Maxi shutter weight: 800 kg

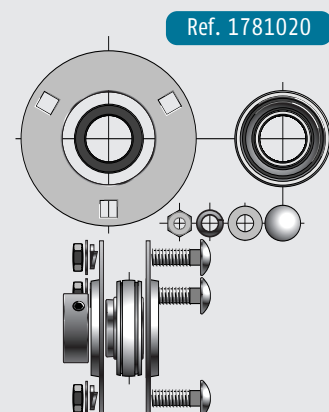


3 Bearing \varnothing 30 mm

Shaft support bearing \varnothing 30 mm

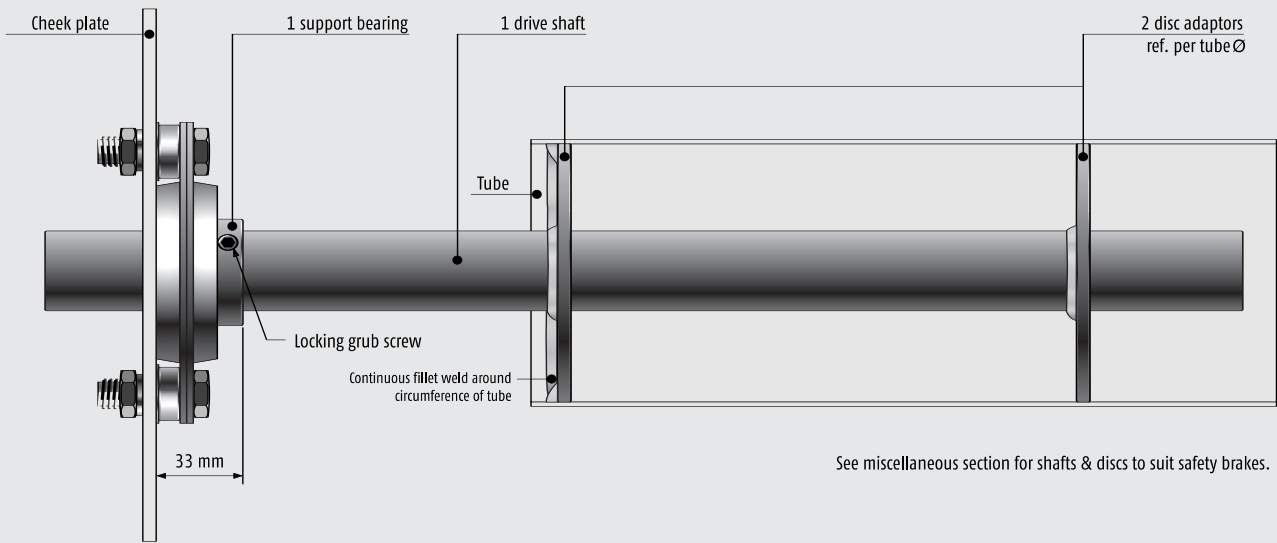
To be used with adjustable end plate with screw M 10x30.

- Maxi shutter weight: 1000 kg



LT 80 SEL & 90 SEL Motors

Plug end for LT 80 SEL & LT 90 SEL



Tubular motors range

Plain shaft \varnothing 30 mm

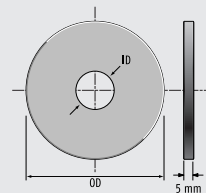
Ref. 9146580

- Material: steel
- Weight: 2490 g
- Maxi load: 1000 kg
- Length: 350 mm



Plain steel disc adaptors \varnothing 30 mm

Ref	1781024	1781056	1781057	1781025	1781026
Tube	101,6 x 3,6	102 x 2	108 x 4	133 x 4	159 x 4,5
Weight	183 g	203 g	210 g	365 g	645 g



LT 80 SEL & 90 SEL Motors

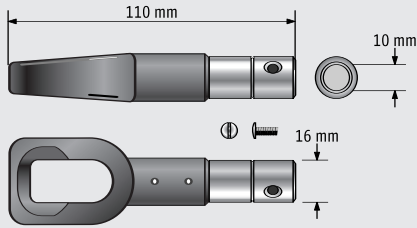
Manual override accessories

Standard manual override eye outlet

Ref. 9137047

For LT 80 SEL & LT 90 SEL motors.

- Material: steel/plastic
- Weight: 90 g
- Finish: plastic/plated



Crank handle

Ref	9129674	9129671
	2000 mm	1250 mm
Material	Steel	Steel
Finish	Plated	Plated
Weight	1200 g	1000 g

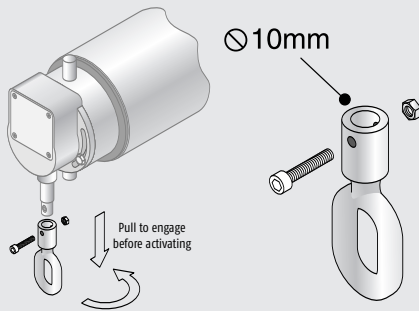


Eye outlet

Ref. 9340021

For LT 80 SEL & LT 90 SEL motors.

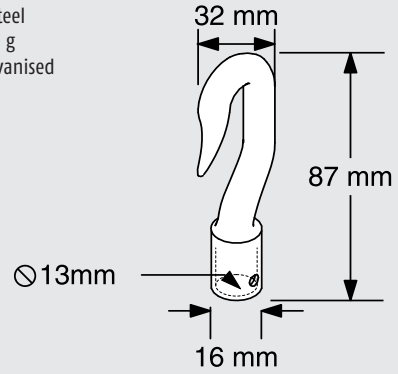
- Material: steel
- Weight: 80 g
- Finish: galvanised



Steel hook

Ref. 9132253

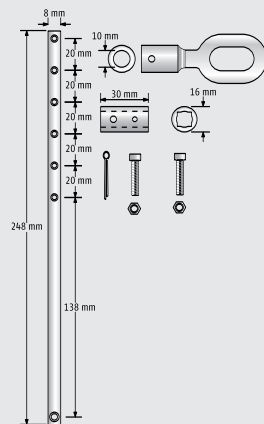
- Material: Steel
- Weight: 80 g
- Finish: galvanised



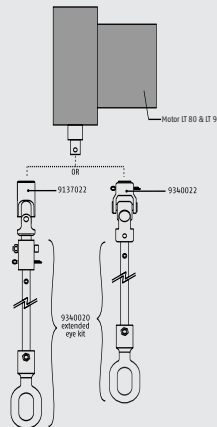
Extended eye outlet

For LT 80 SEL & LT 90 SEL motors.

- Material: steel
- Weight: 230 g
- Finish: galvanised



Ref. 9340020



LT 80 SEL & 90 SEL Motors

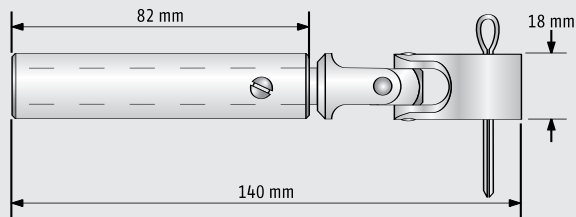
Manual override accessories

Shaft adaptor

Ref. 9137023

Adjustable override shaft adaptor c/w with cardan joint.

- Material: steel
- Weight: 120 g
- Maxi load:
- Finish: plated
- Use limit:

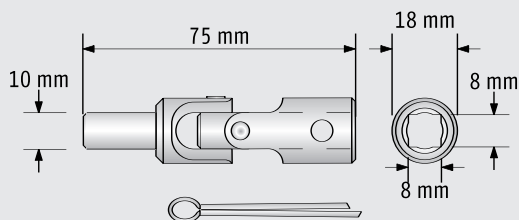


Cardan joint

Ref. 9137022

Cardan joint with a 10 mm round shaft & 8 mm socket. Allows use of Hercules & Type 8 accessories.

- Material: steel
- Weight: 80 g
- Finish: plated



Adaptor

Ref. 9685118

Adaptor for 7 mm hexagonal to 8 mm square shaft. Supplied with 2 split pins. Allows use of LT 80 H SEL accessories.

- Material: steel
- Weight: 30 g
- Finish: plated

