

Product: KLUDI AMBA concealed THM bath/shower mixer, trim set with functional unit

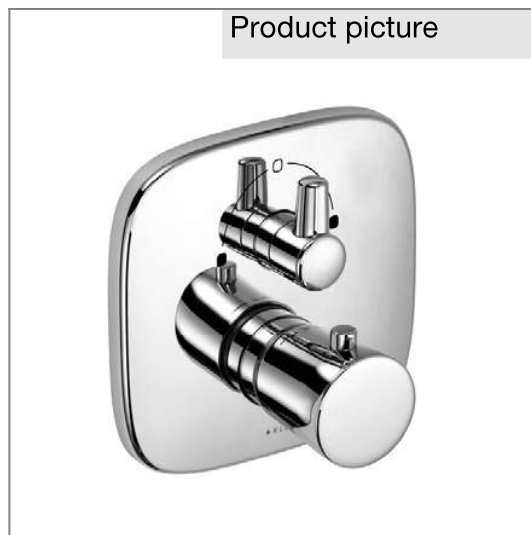
Ref.: 538300575

Product description

concealed thermostatic bath/shower mixer
 trim set with functional unit
 with ceramic shut-off valve
 and adjustment as a rotary valve
 hot water safety device 38 °C
 without pre-installation set
 KLUDI FLEXX.BOXX 88011

Finishes:
 05 chrome

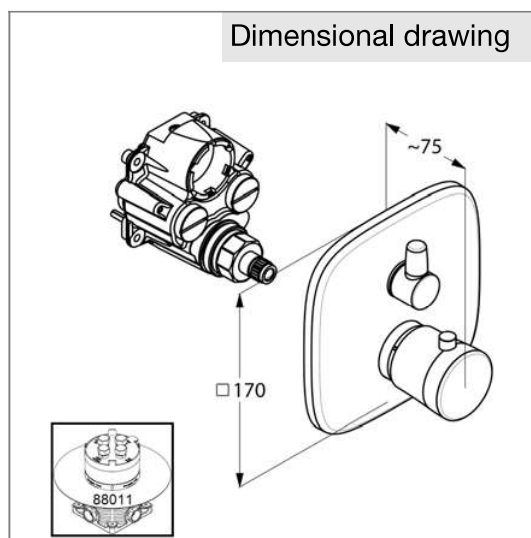
Product picture



Advertisement

concealed thermostatic bath/shower mixer, manufacturer KLUDI GmbH & Co. KG
 KLUDI AMBA item no. 538300575
 type: concealed thermostatic bath/shower mixer trim set with functional unit THM for
 pre-installation set KLUDI FLEXX.BOXX DN 20 item no. 88011, handles chrome plated
 metal, cover plate chrome plated plastic, with ceramic shut-off valve and adjustment
 as a rotary valve, temperature control handle with hot water safety device 38°C, flow
 rate to bath filler 20 l/min at 3 bar, flow rate to shower 20 l/min at 3 bar, functional
 unit made of dezincification resistant brass,
 dimensions: cover plate: 170/170 mm, handle projection: 75 mm
 Suitable for pre-installation set KLUDI FLEXX.BOXX DN 20 item no. 88011,
 not included.

Dimensional drawing



Flow rate diagram

